

# INSTALLATION INSTRUCTIONS



PK-A3220-10-00-0A

## Load Center Enclosure

Nos. LP2xx-CBD, LP2xx-CBW, LP2xx-CLD, LP2xx-CLW

Nos. LP3xx-CBD, LP3xx-CBW, LP3xx-CLD, LP3xx-CLW

Nos. LP4xx-CBD, LP4xx-CBW, LP4xx-CLD, LP4xx-CLW

### IMPORTANT SAFETY INSTRUCTIONS - READ ALL INSTRUCTIONS BEFORE USING.

#### ⚠ WARNING

- **TO AVOID FIRE, SHOCK OR DEATH: TURN OFF POWER SUPPLYING THIS EQUIPMENT, AND CONFIRM POWER IS OFF,** before installing, removing or servicing this equipment.
- This equipment **MUST BE** installed and serviced by an electrician.
- Replace all doors and covers before connecting power to this equipment.
- To be installed and/or used in accordance with electrical codes and regulations.

#### LIMITED PRODUCT WARRANTY

For Leviton's limited product warranty, go to [www.leviton.com](http://www.leviton.com). For a printed copy of the warranty you may call 1-800-323-8920.

#### PATENTS PENDING

## INSTALLATION

**WARNING: TO AVOID FIRE, SHOCK OR DEATH: TURN OFF POWER SUPPLYING THIS EQUIPMENT, AND CONFIRM POWER IS OFF,** before installing, removing or servicing this equipment.

### Step 1: Enclosure Knockouts

**NOTE:** Before removing any knockouts from the enclosure, consult the local electrical code to determine the knockout requirements.

- To remove **knockouts (A)**, first strike the center of the knockout.
- Pry each **ring (B)** up, one at a time, and grip both ends with a pair of pliers.
- Use the pliers to bend the **rings (B)** until they disconnect from the enclosure (*fig. 1*).

**NOTE:** When using the service entrance compartment cover **(C)** utilize knockouts that will allow access to the service entrance compartment. Avoid the entrance of phase wires **(H)**, neutral **(I)** and ground **(J)** conductors outside of the compartment area to prevent interference between them and the cover.

### Step 2: Enclosure Mounting

#### Surface Mounting

**NOTE:** Leviton® load centers can be inverted for bottom feed applications.

- Remove the **service entrance compartment cover (C)** by unscrewing two (x2) **screws (O)** securing it to the enclosure (*fig. 2*).  
**NOTE:** The **service entrance compartment cover (C)** is not required for main lug load center enclosures.
- Keyholes (D)** at the top and bottom of the enclosure are provided to assist in the alignment and leveling of the enclosure (*fig. 3*).
- Temporary screws or nails (not provided) should be used in these keyholes during alignment and leveling.
- Four (x4) **mounting holes (E)** have been precut in the back of the enclosure for ease of installation (*fig. 3*).
- Use screws or nails (not provided) in these four (x4) **mounting holes (E)** to secure the enclosure to the wall.
- Remove the temporary screws or nails that were used to align and level the enclosure through the **keyholes (D)**.

#### Flush Mounting

**NOTE:** Leviton load centers can be inverted for bottom feed applications.

- Remove the **service entrance compartment cover (C)** by unscrewing two (x2) **screws (O)** securing it to the enclosure (*fig. 2*).  
**NOTE:** The **service entrance compartment cover (C)** is not required for main lug load center enclosures.
- Four (x4) **mounting slots (F)** have been precut on the side of the enclosure for installation between studs.
- Pierce the **foil tape (G)** on side of enclosure with a mounting screw or nail.
- If using 1/2 inch sheetrock, align the embossed (1/2) line with the front of the stud to achieve optimal flush mounting (*fig. 4*).
- Use the **mounting slots (F)** on both sides of enclosure to mount the enclosure with screws or nails (not provided) (*fig. 4*).

Fig. 1

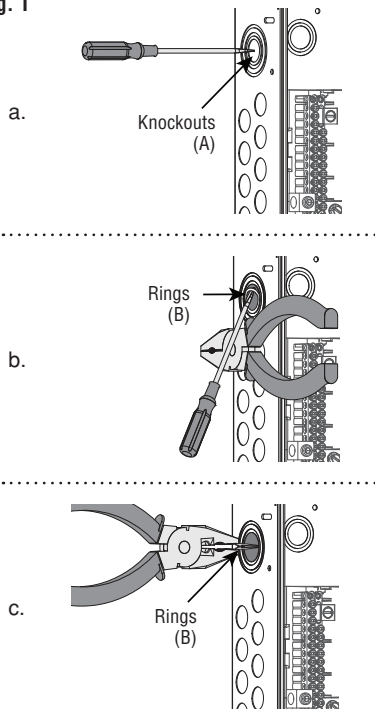


Fig. 2

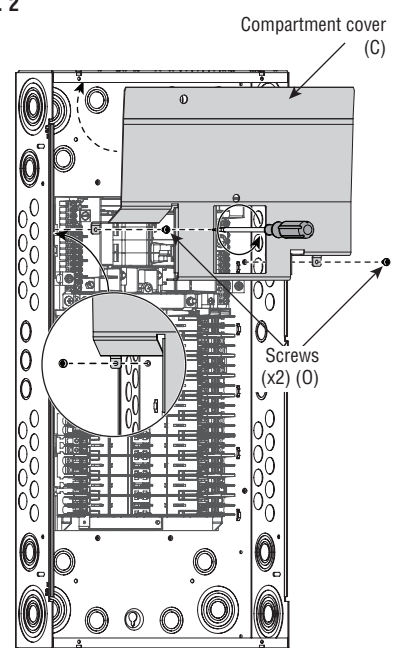


Fig. 3

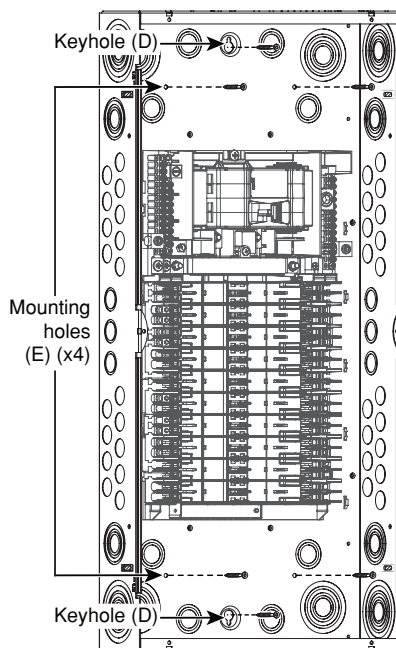
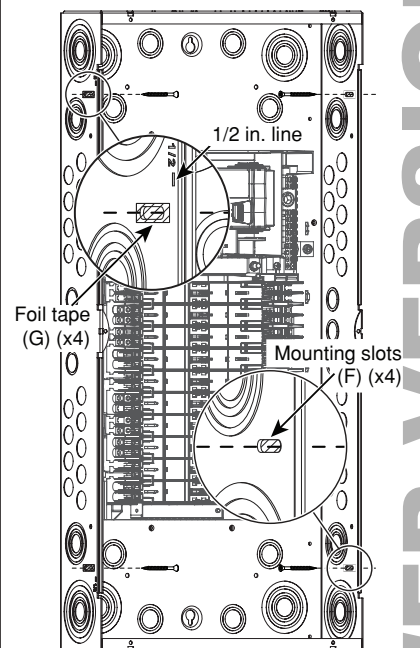


Fig. 4



WEB VERSION

### Step 3: Phase, Neutral and Ground Conductors

**WARNING:** Use **ONLY** approved fittings and clamps to avoid damage to wires.

- Bring the **phase wires (H)**, **neutral (I)** and **ground (J)** conductors into the enclosure through the predetermined knockouts.
- Determine whether or not the application requires the use of a **main circuit breaker (K)** (fig. 5), or if **main lugs (L)** (fig. 6) can be used based on the local electrical codes.
- Connect the **phase wires (H)**, **neutral (I)** and **ground (J)** conductors to appropriate terminals and torque to spec in the terminations table (fig. 5 or 6).
- If installing with a **main circuit breaker (K)**, also install the two (x2) **terminal covers (M)** that have been provided (fig. 7).
- When installing this enclosure as the service entrance, the **bonding strap (N)** **MUST** remain installed (fig. 8).
- When installing this enclosure as a sub panel, **REMOVE** the **bonding strap (N)** by unscrewing the two (x2) mounting screws (fig. 9).

**NOTE:** For Service Equipment, apply "SERVICE DISCONNECT" label (provided) to trim, near main breaker handle.

**NOTE:** For Branch Equipment, apply "MAIN" label (provided) to trim, near main breaker handle.

**CAUTION:** If the load center has been installed with a main breaker continue with steps **g** and **h**. Steps **g** and **h** do not apply to terminal lug load center enclosures.

- Install the **service entrance compartment cover (C)** by placing the top edge under the **enclosure flange (P)** (fig. 10).
- Align cover with the two (x2) screw holes and torque the **screws (O)** to 20 lb-ins.

### Step 4: Branch Circuit Breakers

**WARNING:** *Leviton* circuit breakers **MUST BE** used with a *Leviton* circuit breaker enclosures.

- Strip and connect the load power and load neutral wires to the **load terminals (Q)** and ground wire to the **ground bus (R)** of the circuit breaker enclosure (fig. 11). Strip wires and torque load terminals to spec in the terminations table.  
**NOTE:** Ensure that the main breaker is in the OFF position before installing any branch circuit breakers.  
**NOTE:** Ensure that all branch circuit breakers are in the OFF position before installing into the panel.
- Align the **hooks and guides (S)** of the branch circuit breaker with the panel and press until breaker snaps into place (fig. 12).

### Step 5: Installing Cover (Sold Separately)

- Remove the **main breaker knockout (T)** if a main breaker was installed. Do not remove in installations using the **main lugs (L)**.
- Twist-outs (V)** must be removed for each position that contains a branch circuit breaker.
- To remove **twist-outs (V)**, first strike with a screwdriver, then twist with pliers until detached (fig. 13).  
**NOTE:** Fill any unused open spaces in cover using filler plates (see filler plate instructions).
- Install door using the six (x6) cover screws (provided).
- Leviton* covers contain a feature for adjustment in flush mounting applications. Turn each **adjustment screw (W)** until the cover fits tightly against the circuit breakers (fig. 14).

### Step 6: Complete the Installation

**WARNING:** Before providing power to the load center, check all electrical connections and confirm that the wiring is correct.

- Ensure that the main and all branch circuit breakers are in the OFF position. To energize, first turn ON the main breaker, and then turn ON each individual branch circuit breaker.

### SAVE THESE INSTRUCTIONS

### TERMINATIONS

Termination Point	Wire Gauge	Strip Length	Torque
Main Breaker or Lug	300 MCM - #3 AWG	1.0 in.	250 lb-ins.
Main Neutral	300 MCM - #3 AWG	1.5 in.	375 lb-ins.
Main Ground	2/0 AWG - #4 AWG	0.75 in.	50 lb-ins.
Load Power (brass)	#4 AWG - #8 AWG #10 AWG - #14 AWG	0.40 in. 0.40 in.	45 in-lbs. 35 in-lbs.
Load Neutral (silver)	#4 AWG - #8 AWG #10 AWG - #14 AWG	0.40 in. 0.40 in.	45 in-lbs. 35 in-lbs.
Ground Bus	#4 AWG - #6 AWG #8 AWG #10 AWG - #14 AWG	0.50 in. 0.50 in. 0.50 in.	35 in-lbs. 25 in-lbs. 20 in-lbs.

Fig. 5

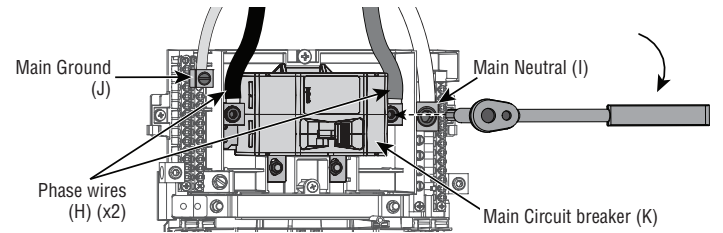


Fig. 6

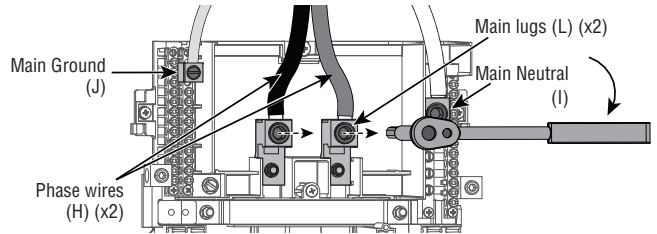


Fig. 7

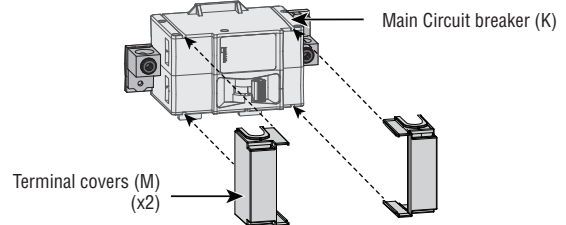


Fig. 8

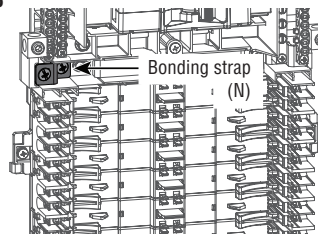


Fig. 9

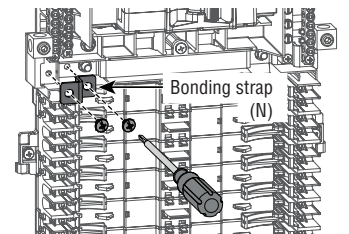


Fig. 10

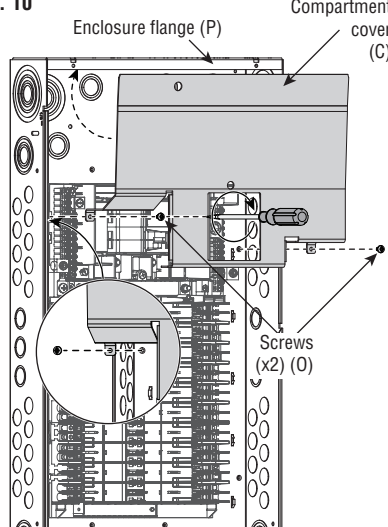


Fig. 11

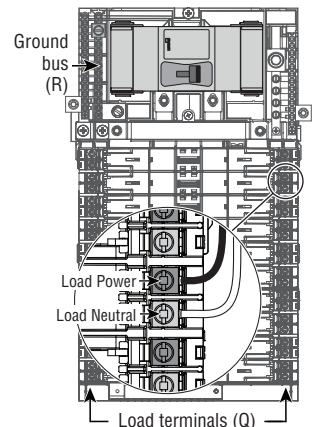


Fig. 12

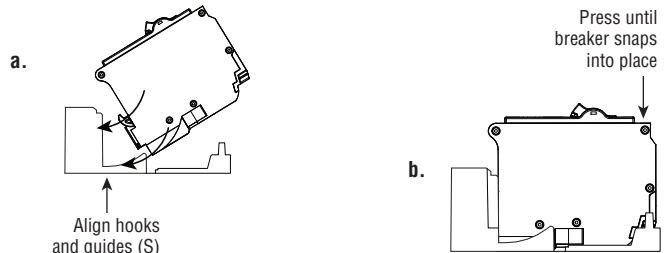


Fig. 13

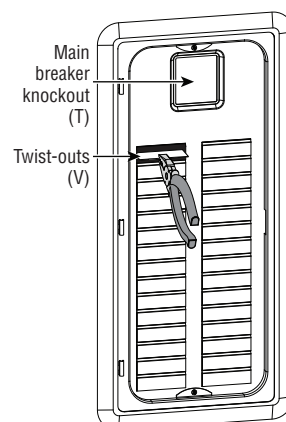


Fig. 14

