

PROGRAMMABLE ELECTRONIC THERMOSTAT
FOR BASEBOARDS AND CONVECTORS

ST302P

ST402P



1-844-STELPRO
WWW.STELPRO.COM

IMPORTANT INSTRUCTIONS

THE THERMOSTAT MUST BE INSTALLED BY A CERTIFIED ELECTRICIAN.

Connect the thermostat to a 120 to 240 VAC power source ONLY and comply with load limits.

WARNING – HIGH VOLTAGE. Turn off the power supply before installation and maintenance. Leave at least 12 in. (30 cm) clearance around the thermostat to ensure that it is properly vented.

SAVE THESE INSTRUCTIONS

TECHNICAL SPECIFICATIONS

TENSION ET CHARGE

| PRODUCT CODE | SUPPLY VOLTAGE | LOAD AT 120 V | LOAD AT 240 V |
|--------------|----------------|---------------|---------------|
| | VOLTS | WATTS | WATTS |
| ST302P | 120-240 | 150-1500 | 300-3000 |
| ST402P | 120-240 | 150-2000 | 300-4000 |

| | |
|--|--|
| Load control type | Resistive |
| Frequency | 60 Hz |
| Storage temperature | -40°C to 50°C (-40°F to 122°F) |
| Operating temperature | -20°C to 50°C (-4°F to 122°F). LC display less effective below 0°C (32°F) |
| Humidity | 5% to 98% without condensation |
| Action | Type 1.Y |
| Pollution degree | 2 |
| Software | Class A |
| Rated impulse voltage | Category II overvoltage (1500 V) |
| Independently mounted control for surface mounting | |
| Thermistor used as a sensor, carries no load current | |
| Overload protection device external to the control: circuit breaker (refer to local electrical code) | |

BEFORE YOU GET STARTED

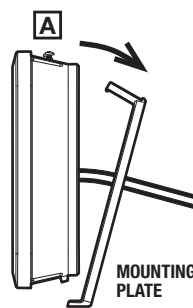
- The box contains one (1) thermostat with mounting plate, two (2) mounting screws, two (2) twist-on wire connectors and one (1) owner's manual.
- To install this thermostat, you will need a #2 Phillips screwdriver.
- Install your thermostat about 5 ft (1.5 m) from the floor on an inside wall facing the heating system.

INSTALLATION

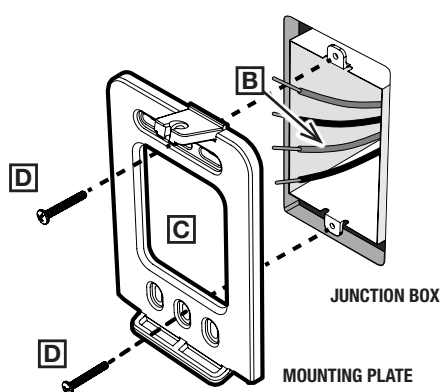
1 ATTACH THE MOUNTING PLATE

WARNING: Turn off the power supply.

- Loosen the screw [A] at the top of the thermostat without removing it.
- Separate the mounting plate from the thermostat. Pull the top of the plate and rotate.



- Take the power wires [B] out of the junction box and run them through the large opening in the center of the mounting plate [C].
- Using the two (2) mounting screws provided [D], attach the thermostat mounting plate to the junction box. The plate can be centered on the junction box or shifted to the left or right.

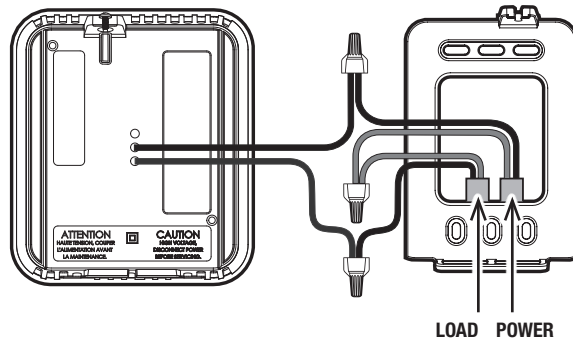


2 CONNECT THE POWER SUPPLY WIRES

WARNING: Incorrectly connected electrical wires could result in a fire hazard.

- Complete the thermostat's electrical connection according to the diagram below. Tighten the wires securely in the supplied wire connectors.
- Push the wires and connectors into the electrical box.

NOTE: If the electrical wires are aluminum, use CO/ALR connectors instead (not supplied).



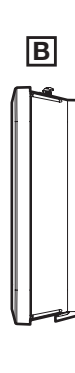
The diagram shows a 240 V power supply.

3 ATTACH THE THERMOSTAT

- Using the alignment guide, hook the bottom [A] of the thermostat into the bottom of the plate. Be sure not to jam the wires between the thermostat and mounting plate.
- Rotate the thermostat upwards and attach it on the top hook of the mounting plate.



- Tighten the screw at the top of the thermostat [B] to hold it in place securely.
- Restore the power at the circuit breaker.

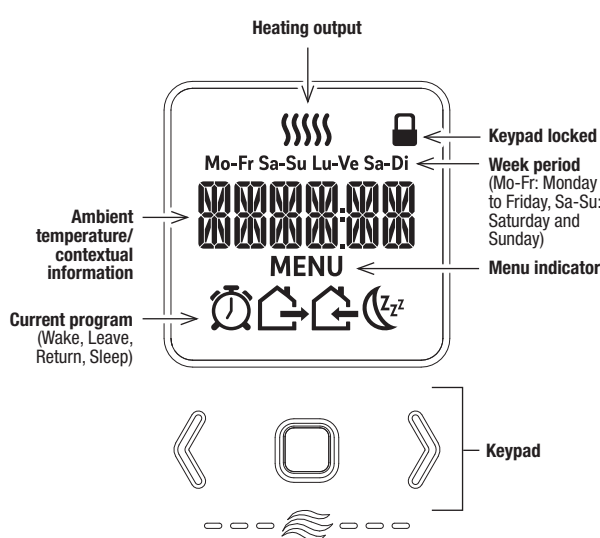


NOTE: If you need to remove the thermostat, follow step 1 in section 1, then use a straight screwdriver to unhook it from the top of the mounting plate.

INTERFACE

This thermostat is PROGRAMMABLE. PROGRAMMABLE mode allows you to define the setpoint temperature according to time of day and day of the week. (See the INITIAL SETTINGS AND PROGRAMMING section.) You can also use this thermostat in MANUAL mode, i.e. the setpoint temperature will be constant.

Touch the keypad once to activate the backlight, then you can make changes.



INITIAL SETTINGS AND PROGRAMMING

To begin with, follow the on-screen instructions to adjust your thermostat's settings. Press \leftarrow or \rightarrow to change your selection and \square to confirm.

- Language:** FRA / ENG (Français / English)
- Temperature format:** °C / °F (Celsius / Fahrenheit)
- Operation mode:** PROG / MANUAL (Programmable / Manual). If you selected MANUAL mode, your thermostat is now ready to use! If you selected PROGRAMMABLE mode, configure the following settings:
 - Date and time**
 - Automatic daylight savings time switchover:** DST Y / DST N (Daylight savings time Yes / Daylight savings time No)
 - Program setpoint temperatures:** (Wake, Leave, Return, Sleep)
 - Monday to Friday program hours:** [Mo-Fr] (Wake, Leave, Return, Sleep)
 - Saturday and Sunday program hours:** [Sa-Su] (Wake, Sleep)

The following table shows the default program values:

| WEEK DAYS | | | |
|----------------|-----------------|------------------|-----------------|
| WAKE \square | LEAVE \square | RETURN \square | SLEEP \square |
| 6:00 AM | 8:00 AM | 4:00 PM | 10:00 PM |
| 21°C / 70°F | 16°C / 61°F | 21°C / 70°F | 17°C / 63°F |
| WEEKEND DAYS | | | |
| WAKE \square | | | SLEEP \square |
| 7:00 AM | | | 11:00 PM |
| 21°C / 70°F | | | 17°C / 63°F |

FEATURES

KEY FEATURES

- Press \leftarrow or \rightarrow once to lower or raise the setpoint temperature by 0.5°C / 1°F. If you are in PROGRAMMABLE mode, the setpoint change will be considered as a temporary override to the programming. The thermostat will return to PROGRAMMABLE mode when the next program begins. To cancel the override and return to PROGRAMMABLE mode, press \square .
- Press \square once to switch from MANUAL to PROGRAMMABLE mode and vice versa.
- If PROGRAMMABLE mode is selected, press \square twice to go to the next program.

ADVANCED MENU ACCESS AND USE

- Press and hold \square for 3 seconds to access the thermostat's advanced menus.
- Press \leftarrow or \rightarrow to change your selection.
- Press \square to confirm your selection and proceed to the next menu.
- Press and hold \square for 3 seconds to exit the advanced menus.

ADVANCED MENU LIST

- Language:** FRA / ENG (Français / English)
- Temperature format:** °C / °F (Celsius / Fahrenheit)
- Operation mode:** PROG / MANUAL (Programmable / Manual). When PROGRAMMABLE mode is selected, you can change the following settings:
 - Date and time**
 - Automatic daylight savings time switchover:** DST Y / DST N (Daylight savings time Yes / Daylight savings time No)
 - Program setpoint temperatures:** (Wake, Leave, Return, Sleep)
 - Monday to Friday program hours:** [Mo-Fr] (Wake, Leave, Return, Sleep)
 - Saturday and Sunday program hours:** [Sa-Su] (Wake, Sleep)
- Keypad lock:** LOCK / UNLOCK (Lock keypad / Unlock keypad)
- Reset thermostat to default values:** RST N / RST Y (No / Yes)

USING THE TECHNICAL MENUS:

- Press \square for 10 seconds to access the thermostat's technical menus (the advanced menu will appear after 3 seconds but continue to hold for another 7 seconds).
- Use \leftarrow or \rightarrow to change your selection.
- Press \square to confirm your selection and continue to the next menu.
- Press \square for 3 seconds to exit the thermostat's technical menus.

TECHNICAL MENU LIST

- t1:** Maximum room temperature setpoint limit (5°C to 30°C / 41°F to 86°F). The default setting is 30°C.
- t2:** Minimum room temperature setpoint limit (5°C to 30°C / 41°F to 86°F). The default setting is 5°C.

NOTE: The maximum setpoint limit must be higher than the minimum setpoint limit, and the minimum setpoint limit must be lower than the maximum setpoint limit.

- t3:** Year of production
- t4:** Month of production
- t5:** Identification number
- t6:** Software version
- t7:** Thermostat control code

STELPRO LIMITED WARRANTY

Limited three-year warranty. See details on www.stelpro.com.

STELPRO DESIGN INC. Saint-Bruno-de-Montarville, Québec, Canada, J3V 6L7