



OASIS™

OWNER'S MANUAL

SOA FAN HEATER

(A)SOA...WCW
(A)SOA...W
(A)SOA...PW



INS-SOA_1120

THANK YOU FOR YOUR PURCHASE!
QUESTION? PROBLEM? CONTACT STELPRO CUSTOMER SERVICE.

WWW.STELPRO.COM
CONTACT@STELPRO.COM
1-844-STELPRO



IMPORTANT INSTRUCTIONS

Before installing and using this product, you must read and understand these instructions and keep them for future reference. If the installer and the user do not follow these instructions, the manufacturer cannot be held liable in any way and the warranty will be null and void.

The following instructions must be adhered to in order to avoid personal injuries or property damages, serious injuries and potentially fatal electric shocks.

If the installer or the user modifies the unit, they will be held responsible for any damage resulting from this modification, and the CSA certification could be void.

INTENDED USE

For **indoor** installation only.

Make sure the unit is appropriate for the intended use (if needed, refer to the product catalog or a representative).

RECOMMENDED HEATING CAPACITY: 1,25 W per ft³ (0.03 m³). This corresponds to 10 W per ft² (0.09 m²) based on a standard ceiling height of 8 ft (2.44 m). The recommended capacity is usually sufficient for normal heating needs. Please note that the insulation quality of walls and windows are some of the factors that influence heat losses, which modify the required capacity to heat a room. If needed, speak with a specialist (industrial and commercial buildings) who will be able to calculate these heat losses and optimize the required capacity or consult the "Calculation Tools/Heating Calculator" section of the °STELPRO Design website.

If the unit capacity is insufficient for the size of the room, it will be in operation continuously, and may become defective earlier and turn yellow.

POSITION

Do not install the unit where objects or pieces of furniture could be heat damaged.

Respect the following distances and positions: This unit must be installed at least 6 in. (15 cm) from any adjacent surfaces and at least 6 in. (15 cm) from the floor. Keep combustible materials, such as furniture, pillows, bedding, papers, clothes, etc. and curtains at least 12 in. (30 cm) from the front of the heater and keep them away from the sides and rear. Some materials are more heat-sensitive than others, so make sure those near the unit can withstand heat. Do not install on a wall behind a door.

This unit has hot and arcing or sparking parts inside. It is not designed to be used or stored in wet areas or areas containing flammable liquids, combustible materials or corrosive, abrasive, chemical, explosive and flammable substances such as, but not limited to, paint, gasoline, chlorine, sawdust and cleaning products.

RISK OF FIRE, ELECTRIC SHOCK, BODILY INJURY AND DAMAGE

This product must be installed by a qualified person and connected by a **certified electrician**, according to the **electrical and building codes** effective in your region.

Protect the heating unit with the appropriate circuit breaker or fuse, in accordance with the nameplate.

Make sure the line voltage (volts) is consistent with that indicated on the unit's nameplate.

This unit must be grounded.

Switch off the power at the circuit breaker or fuse before installing, repairing and cleaning the unit.

This unit must not come into contact with a water source and must be protected from splashes (e.g., splashes from a sink or shower). Do not use it if any part has been immersed. Moreover, do not turn it on or off when standing in water or if your hands are wet.

When starting up the unit for the first time or after a long period, it is normal that it produces some temporary odours.

Because this unit is hot when in use, it may pose risks even in normal operation. Therefore, be **careful** and **responsible** when using it. To avoid burns, do not let bare skin touch hot surfaces. The unit must cool down for few minutes since it will stay warm for some time after shut down.

Extreme caution is necessary when any heater is used by or near children or invalids and whenever the heater is left operating and unattended.

Do not insert or allow foreign objects to enter any ventilation or exhaust opening as this may cause an electric shock or fire, or damage the heater.

MAINTENANCE

To prevent a possible fire, do not block air intakes or exhaust in any matter.

Some areas are dustier than others. Thus, it is the user's responsibility to evaluate if the unit must be cleaned based on the amount of dirt accumulated on and inside air vents. Accumulated dirt can lead to a component malfunction or give a yellowish colour to the unit. Failure to install and maintain the unit in accordance with these instructions poses a fire hazard.

Thermal protection activation indicates that the unit has been subjected to abnormal operating conditions. If the thermal protection remains activated it is recommended that a qualified electrician or a certified repair centre examine the unit in order to make sure it is not damaged. (Refer to the limited warranty.)

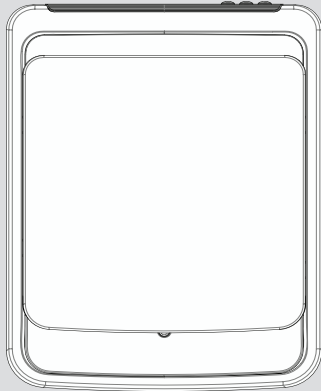
If the unit is damaged or defective, discontinue use, cut off power supply at circuit breaker or fuse and have it repaired at a certified repair centre. (Refer to the limited warranty.)

SAVE THESE INSTRUCTIONS

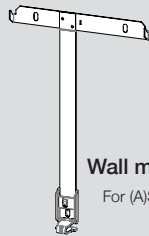
INSTALLING THE FAN HEATER

TO ENSURE A SAFE AND EASY INSTALLATION, TAKE A FEW MINUTES TO READ THIS INSTALLATION GUIDE.

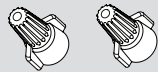
WHAT IS IN THE BOX



OASIS FAN HEATER



Wall mount support
For (A)SOA...PW model

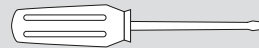


2 caps
For (A)SOA...W
(A)SOA...WCW models

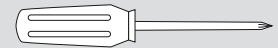
TOOLS REQUIRED



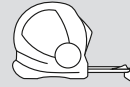
Level



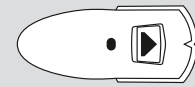
Ⓛ Flat screwdriver



⊕ Phillips screwdriver



Tape measure

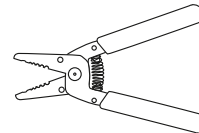


Wire stripper



4 to 6 No. 6 to No. 10 round-head wood screws and suitable brackets to secure the fan heater (4.3 kg or 9.4 lb) to the type of wall

FOR (A)SOA...W / (A)SOA...WCW MODELS



Stud finder



Tool to cut drywall or gypsum board



Cable clamp

CONTROL AND COMPATIBILITY

You can control your OASIS fan heater in multiple ways:

SPECIFICATIONS	(A)SOA...WCW		(A)SOA...W		SOA...PW (WITH A POWER CORD)
Thermostat	MAESTRO thermostat or any other compatible wall thermostat that can handle the fan heater's power		Built-in electronic thermostat		Built-in electronic thermostat
Power in NORMAL mode	1500 W	2000/1500 W or 1000/750 W*	1000 W	1000/750 W	1000 W
Power in BOOST mode	N/A		1500 W	2000/1500 W	1500 W
Required voltage	120 V	240/208 V	120 V	240/208 V	120 V
Device weight	7.9 lb / 3.6 kg				
Storage temperature	-40 °C to 50 °C (-40 °F to 122 °F)				
Operating temperature	-20 to 50 °C (-4 to 122 °F) The efficiency of the thermostat's built-in LCD display may be reduced below 0 °C (32 °F)				
Relative humidity	5% to 95% without condensation				

*Depending on power selector position.

WARNING: This product must be installed by a certified electrician according to the electrical and building codes effective in your region.

1 WHERE TO INSTALL YOUR OASIS FAN HEATER

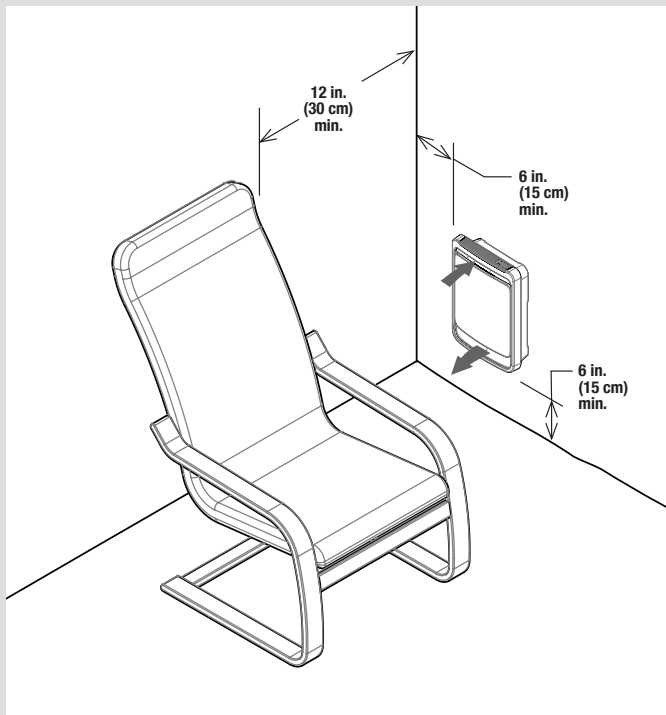
Install your fan heater in an unobstructed location at least 6 in. (15 cm) off the ground.

TIP: You can access the fan heater's controls more easily if you install it 10 in. (25 cm) off the ground.

Make sure that objects or furniture near the heater can withstand the heat it gives off.

Do not install the heater on a wall behind a door.

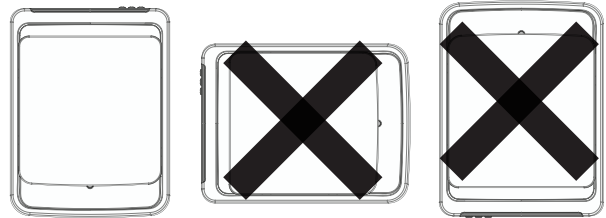
If a piece of furniture is nearby, make sure the fan heater will not impede the opening of its drawers or doors.



WARNING: To avoid any risk of overheating, leave a clearance of at least 12 in. (30 cm) in front of the fan heater and 6 in. (15 cm) on either side of it.

No objects or furniture such as, but not limited to, blankets, towels, a bed, a laundry basket, clothing, papers, etc., should come into contact with fan heater. Keep these items at least 12 in. (30 cm) away from it.

It is not designed to be used or stored in wet areas or areas containing flammable liquids, combustible materials or corrosive, abrasive, chemical, explosive and flammable substances such as, but not limited to, paint, gasoline, chlorine, sawdust and cleaning products.

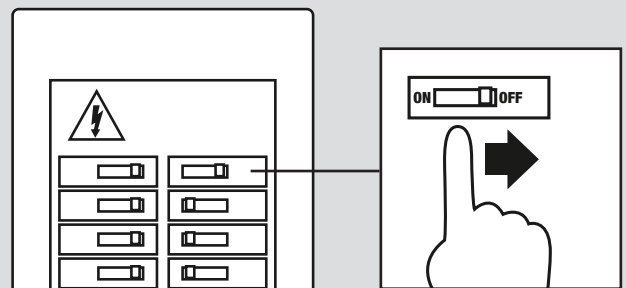


THE UNIT MUST NOT BE INSTALLED UPSIDE DOWN OR SIDEWAYS.

NOTE: If you purchased the SOA1501PW model, refer to the "Install the SOA1501PW model (with a power cord)" section on page 9.

2 CUTTING THE POWER SUPPLY

To protect yourself from the risk of electric shock, turn off the power to the lead wires from the electrical panel.



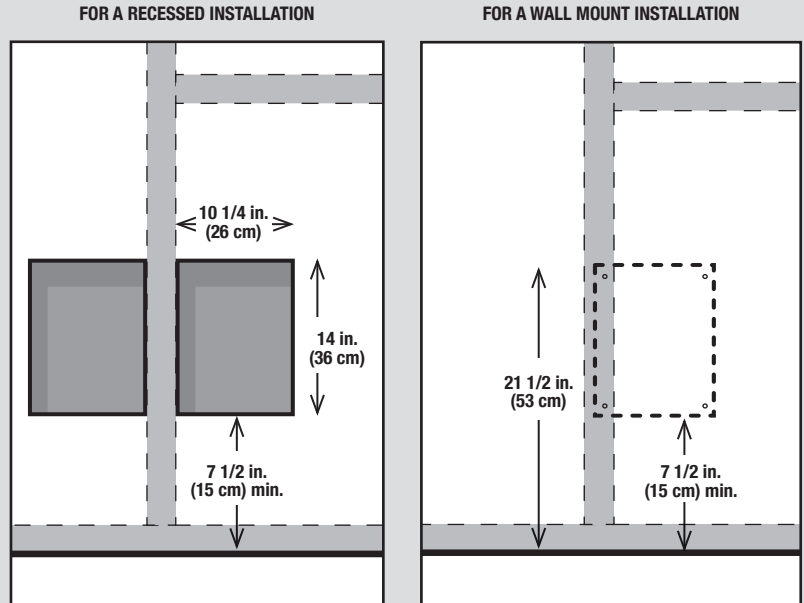
3

PREPARING THE SURFACE FOR INSTALLATION

1. Locate the studs and any other structures that might be inside the wall.
2. For a recessed installation, make an opening as shown in the diagram. For a more secure installation, attach one side of the unit to a stud.

NOTE: Avoid using an exterior wall for recessed installations as this decreases the wall's insulation.

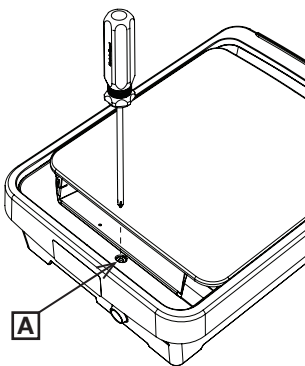
3. To determine where to install the unit on the wall, use the back box as a guide. For a sturdier installation, align one side of the fan heater on a stud, as show in the illustration.
4. Pull the power cable out of the wall. You will need at least 6 in. of cable inside the junction box to connect the unit's wires easily.



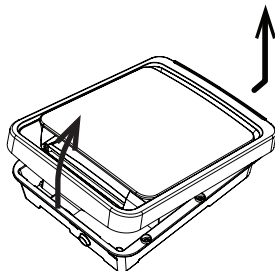
4

PREPARING THE FAN HEATER

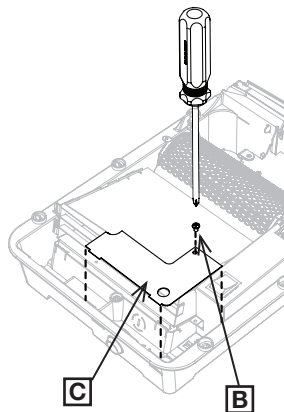
1. Remove the screw [A] located at the bottom of the fan heater and keep it in a safe place.



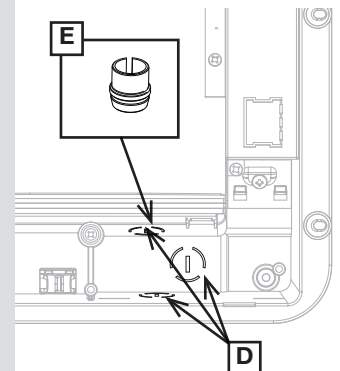
2. Swivel the front panel upwards as shown in the illustration to completely separate it from the housing. Place the front of the fan heater on a clean surface where it cannot be damaged.



3. Remove the screw [B] and the junction box cover [C]. Keep them in a safe place.



4. Punch in one of the three knockouts [D] with a flat screwdriver. Choose the hole to use according to the position of the power cable in the wall and the space available.
5. Place the cable clamp [E] provided in the hole you just knocked out. Insert the power cable into the cable clamp.

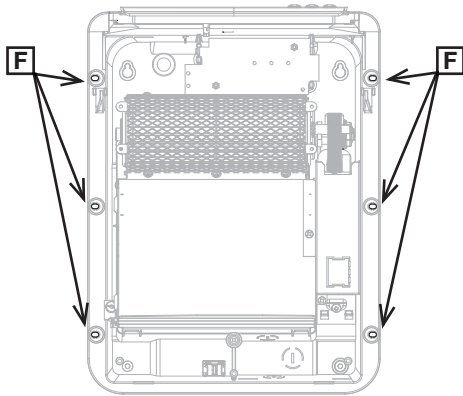


5

INSTALLING THE FAN HEATER

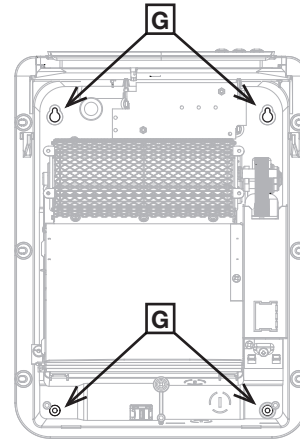
FOR A RECESSED FAN HEATER INSTALLATION

1. Insert the fan heater into the hole made in the wall and mark the position of the screws according to the mounting holes **[F]**. Make sure the fan heater is level.
2. Install the appropriate brackets to secure the fan heater (4.3 kg or 9.4 lb) according to the type of wall. Use at least two of the three mounting holes **[F]** on either side of the unit.
3. Screw the fan heater into place.



FOR A WALL MOUNT FAN HEATER INSTALLATION

1. Place the fan heater against the wall and mark the position of the screws according to the mounting holes **[G]** at the back of the unit. Make sure the fan heater is level.
2. Install the appropriate brackets to secure the fan heater (4.3 kg or 9.4 lb) according to the type of wall. Use all mounting holes **[G]** on either side of the unit.
3. Screw the fan heater into place.



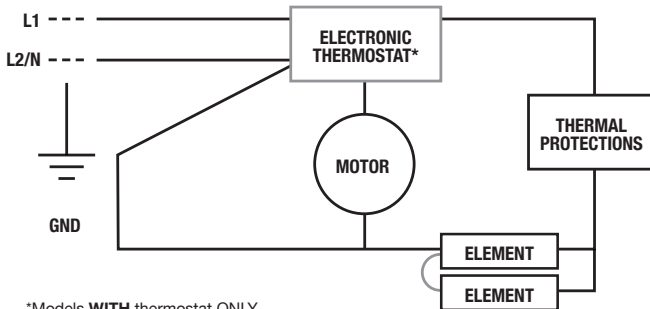
6

CONNECTING THE WIRING

1. If needed, strip the power cable wires **[A]** with a wire stripper.
2. Connect the grounding wire **[B]** firmly with the green screw **[C]** provided for this purpose, located at the bottom of the housing.
3. Connect the fan heater **[D]** and power supply wires according to the connection diagram with the supplied

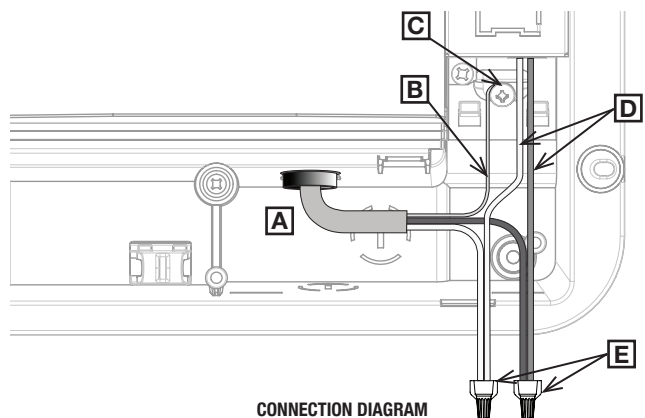
connection caps **[E]**. Tighten caps on the wires to make sure the connections are secure.

WARNING: Use copper or aluminium wires only. Use supply wires suitable for 90 °C (194 °F).



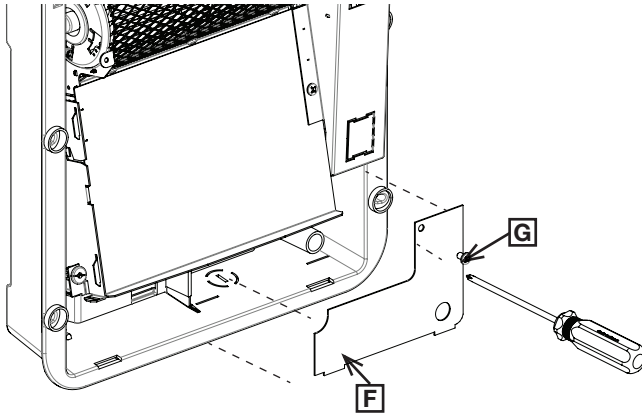
*Models WITH thermostat ONLY

ELECTRICAL DIAGRAM OF THE DEVICE

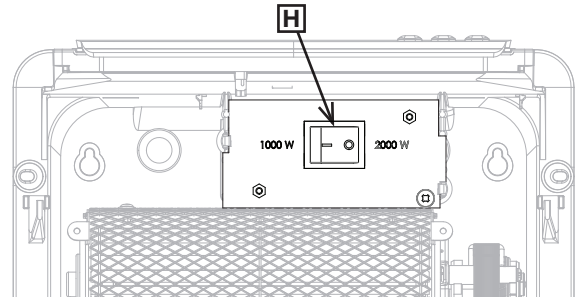


CONNECTION DIAGRAM

- Then place all the wires in the junction box. Replace the junction box cover [F] and insert the screw [G] to hold it in place.



NOTE: If this unit will be controlled by a wall-mounted thermostat (without an integrated thermostat), use the switch [H] above the motor to select the desired power. The required power depends on the size of the room to be heated and represents approximately 1.25 W per cubic foot (0.03 per m³). The power requirement may vary depending on a number of factors. See warnings for more details.



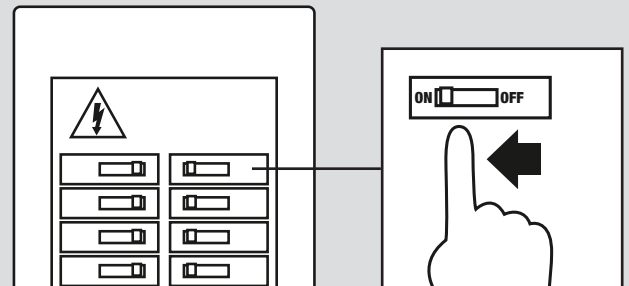
7 ATTACHING THE FRONT PANEL

- Put the front cover back on by first hooking on the top part, then swivelling the bottom part down.
- Tighten the screw [A] to secure the front panel.



8 TURNING THE POWER BACK ON

- Restore power to the fan heater and make sure the fan heater works by raising the temperature until the unit starts to heat.
- See section Using the fan heater, to get the most out of your unit.

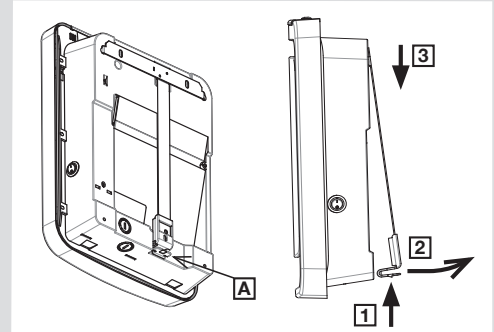


WARNING: You must set the wall thermostat to fan heater mode as soon as you restore power. If the thermostat stays in baseboard mode, the fan heater will run intermittently and may overheat.

INSTALL THE SOA1501PW MODEL (WITH A POWER CORD)

1 UNHOOK THE WALL BRACKET FROM THE DEVICE

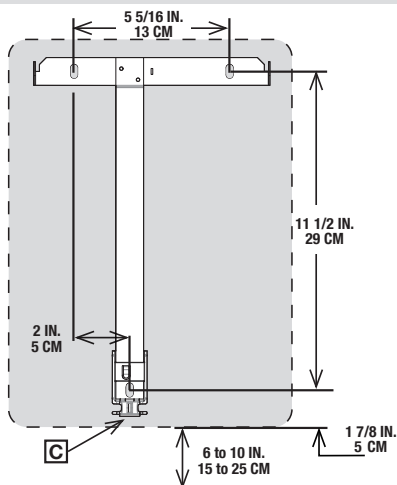
1. Using a screwdriver, press the plastic tab **[A]** under the device.
2. Hold the tab down and rotate the bracket slightly.
3. Pull out the bracket to remove the upper hooks from the device.



2 INSTALL THE WALL BRACKET

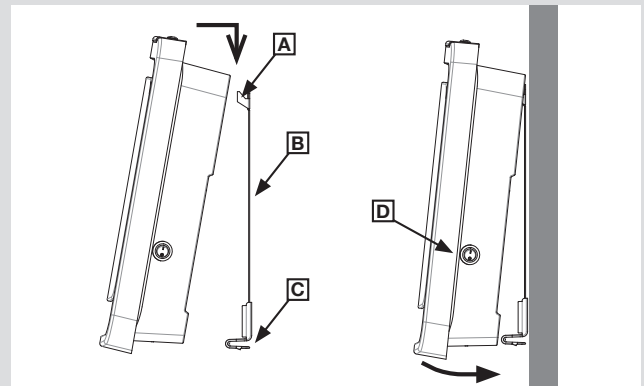
1. Position the wall bracket at the desired height respecting the clearances from the floor. **Make sure the unit is close enough to an electrical outlet.**
2. Secure the bracket to the wall using three screws (No 6 to 10) with the appropriate anchors depending on the wall type and weight of the product (4.3 kg/9.4 lb). Make sure the bracket is level. When drilling the wall, be sure not to damage the electrical wiring or other hidden utilities.

NOTE: The wall where you install the unit must be straight so that the bracket is installed perfectly flat without any pressure. You must follow this guideline to prevent the wall bracket from warping during installation, which could cause the wall bracket to malfunction.



3 HANG AND PLUG IN THE DEVICE

1. Hang the device on the top hooks **[A]** of the wall bracket **[B]**.
2. Tilt the bottom of the device and push it in to snap it into the plastic tab **[C]**.



3. Plug the fan heater plug into a 120 V electrical outlet. The plug should only be plugged into a grounded outlet. If the plug does not fit into your outlet, contact an electrician.

NOTE: Do not use an extension cord or connect any other device to the same circuit. Do not conceal the power cord behind the heater when it is installed and powered.

4. Press the switch **[D]** on the side of the fan heater to turn it on. The buttons **▼** and **▲** will light up red when the device is on.

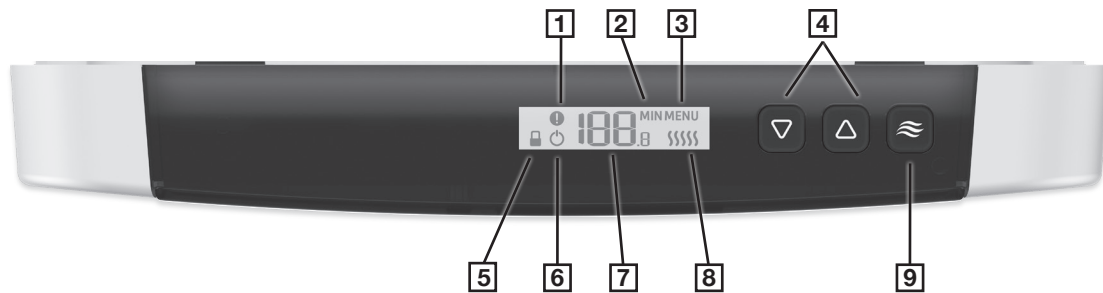
WARNING: Never remove the plug's grounding pin.

USING THE FAN HEATER WITH BUILT-IN THERMOSTAT

WARNING: Before using your fan heater, make sure that it has been installed by a certified electrician in accordance with the electrical and building codes in your area.

Do not operate without front panel.

The following sections outline how to control the fan heater with its built-in electronic thermostat. (SOA...W)



BUILT-IN THERMOSTAT INTERFACE

- | | |
|---|---|
| <p>1 Unit overheating icon</p> <p>2 MIN Displays the time remaining in BOOST mode</p> <p>3 MENU Advanced menus indicator</p> <p>4 Buttons used to raise or lower the temperature setpoint. Also used to navigate the advanced menus.</p> <p>5 Control lock icon</p> <p>6 Low temperature setpoint icon (7°C [45°F] or less)/open window detected (flashing icon)</p> | <p>7 Ambient room temperature (or temperature setpoint, if the display is flashing). In BOOST mode, displays the time remaining in this mode.</p> <p>8 Heating power segments:</p> <ul style="list-style-type: none">• 0 segments: 0%• 1 segment: 1-20%• 2 segments: 21-40%• 3 segments: 41-60%• 4 segments: 61-80%• 5 segments: 81-100% <p>9 BOOST button</p> |
|---|---|

DEFINING THE FAN HEATER'S TEMPERATURE SETPOINT

The built-in thermostat has two buttons that let you choose the temperature setpoint.

By default, the temperature setpoint is 19°C (66°F).

1. Press or once. The temperature setpoint will flash to indicate it can be modified.
2. Use the or buttons to define the temperature setpoint. If you hold one button for more than 1 second, the temperature will change quickly.
3. When the desired temperature setpoint is reached, release the button. The temperature will flash for 3 seconds before being saved.

Once the temperature setpoint is saved, the ambient temperature will display on the screen.

NOTE: If the fan heater must start to reach the temperature setpoint, the icon will indicate the intensity of its functioning.

If the temperature setpoint is lower or equal to 7°C (45°F), the icon will display to show a low setpoint.



If there is a difference of 4°C (7°F) or more between the setpoint temperature and the ambient temperature, the fan heater will automatically switch to a higher speed and power to meet the setpoint temperature more quickly.

USING BOOST MODE



BOOST mode allows you to increase room temperature quickly for a given period of time. When you use BOOST mode, the fan heater operates at a higher speed and power to increase room temperature quickly. When the desired temperature is reached, the power decreases, but the fan heater maintains the BOOST mode setpoint temperature.


By default, BOOST mode is set to 26 °C (79 °F). To learn how to change it, see Defining the setpoint temperature for BOOST mode.

To activate BOOST mode:

1. Press the  button. The minimum BOOST mode run time (10 min.) will appear on the screen.
2. Press the  button again to increase BOOST mode run time (20, 30 or 60 minutes).









The fan heater will operate in BOOST mode for the run time.

NOTE: If you press  or  while the fan heater is in BOOST mode, the BOOST mode setpoint temperature will flash for three seconds, but you cannot change it.



To turn off BOOST mode before the end of the selected time, press the  button.

NAVIGATING THE ADVANCED MENUS

The advanced menus make it possible to use the advanced options and configure the thermostat's settings.

Access advanced menus	>>>	Hold 3 sec.  +  simultaneously
Navigate the menus to select the desired option	>>>	 or 
Confirm the selection	>>>	 +  simultaneously
Quit advanced menus	>>>	Hold 3 sec.  +  simultaneously


Note: The selection is automatically confirmed after 30 seconds of inactivity, except for selections made in menu 5.6 Resetting the thermostat's default settings.


ADVANCED MENUS OF BUILT-IN THERMOSTAT	
Menu 1	Temperature display unit settings (°C or °F)
Menu 2 	Locking/Unlocking keypad settings
Menu 3 	Open window detection settings
Menu 4	Setting the BOOST mode setpoint temperature

ADVANCED MENUS OF BUILT-IN THERMOSTAT	
	°STELPRO information
	5.1 : Fan heater version
	5.2 : Date manufactured
Menu 5	5.3 : Month manufactured
	5.4 : Year manufactured
	5.5 : Internal control code
	5.6 : Reset the thermostat to its default settings

Locking or unlocking the built-in thermostat's keypad

You can lock the thermostat keypad to prevent the temperature setpoint from being changed directly on the thermostat. By default, the thermostat keypad is unlocked.

When the keypad is locked, the  icon displays on the thermostat's home screen.

1. Access menu 2 .
2. Select ON to lock or OFF to unlock the keypad.
3. Confirm the selection.




Selecting the temperature display unit (°C or °F)

By default, the temperature displays in degrees Celsius for SOA models and in degrees Fahrenheit for ASOA models. To change the temperature display unit:


1. Access menu 1.
2. Select °C or °F.
3. Confirm the selection.

Activating or deactivating open window detection

The thermostat can detect if a window is open in the room where the fan heater is located. It will automatically adjust the temperature setpoint to 7°C (45°F) to avoid heating the room unnecessarily.

When an open window is detected, the icon  and buttons  and  flash, then turn blue. When the device detects that the window is closed, the temperature setpoint will return to its previous state.


To activate or deactivate open window detection:

1. Access menu 3, Open window detection .
2. Select ON to activate or OFF to deactivate open window detection.
3. Confirm the selection.

Defining the BOOST mode setpoint temperature

By default, the BOOST mode setpoint temperature is 26°C (79°F). To change the setpoint temperature:

1. Access menu 4 (MIN icon).



TIP: Press the  button for three seconds to access menu 6 directly.





2. Adjust the setpoint temperature.
3. When the desired setpoint temperature is reached, confirm the selection.

Resetting the thermostat to its default settings

WARNING: All settings will be reset to their default values, and the connection to the Zigbee network will be deleted.



To reset the thermostat (restore its default settings):

1. Access menu 5.
2. Press  +  buttons simultaneously to access the sub-menu.

3. Use the  or  buttons to access the 5.6 sub-menu.
4. When “DEF” appears, press the  +  buttons simultaneously to access the next sub-menu.
5. Select YES.
6. Confirm the selection.

The YES message may flash on the screen for a few seconds, then the thermostat will be reconfigured with its default settings.

ALERTS DISPLAYED ON THE BUILT-IN THERMOSTAT'S SCREEN

ALERTS	POSSIBLE CAUSES AND SOLUTIONS
	The fan heater is overheating, and the thermal protection has been tripped. See “Restarting the fan heater after the thermal protection is triggered”.
LO	The room temperature is below 0°C (32°F). Heating will remain active until the temperature reaches the setpoint. The LO message will disappear when the temperature reaches 0°C (32°F).
HI	The room temperature exceeds 50°C (122°F). Heating will remain inactive. The HI message will disappear when the temperature reaches 50°C (122°F).
 blinking	The thermostat has detected an open window. Close the window or deactivate open window detection.
--	The thermostat cannot measure the temperature (temperature sensor is defective). Heating will remain inactive. Contact Stelpro Customer Service.
E1	The auxiliary temperature sensor is defective. The device will still control the temperature, but it will not be optimal. Contact Stelpro Customer Service.

TROUBLESHOOTING THE FAN HEATER

The following table outlines the most common issues and alerts you could experience with your fan heater.


If your problem is not listed in the table below or the proposed solution does not solve the problem, turn the power off and contact our customer service team.

WWW.STELPRO.COM
CONTACT@STELPRO.COM
1-844-STELPRO

PROBLEM/ALERT	POSSIBLE CAUSE AND SOLUTION
The fan heater is not operational after installation.	<ul style="list-style-type: none"> • Check whether the fan heater's wiring is correctly connected and that the caps are tightened firmly. (See Connecting the wiring, page 6). • For a fan heater with a power cord: Make sure the plug is connected to the socket and that the socket is powered. • Make sure that the circuit breaker corresponding to the heating system in the electrical panel is closed (ON). • If the problem persists, the thermostat may be defective. Contact Stelpro Customer Service.
The breaker goes off when the fan heater starts.	<ul style="list-style-type: none"> • Check whether the fan heater's wiring is correctly connected. See Connecting the wiring, page 6. • Make sure the voltage supplied is adequate (see the nameplate). • Make sure the circuit breaker or fuse is adequate for the requested power.
The temperature setpoint is never reached.	<ul style="list-style-type: none"> • Make sure the voltage supplied is adequate (see the nameplate). • Make sure the unit is powerful enough for the size of the room. • The fan heater's thermal protection has been triggered. Restart the fan heater (see Restarting the fan heater after the thermal protection is triggered, p. 13). • If a wall thermostat controls the fan heater, make sure it isn't defective. • If none of the solutions above work, one or more of the heating elements may be defective. Contact Stelpro Customer Service.
The fan heater is operating continuously.	<ul style="list-style-type: none"> • The built-in thermostat can control residual heating to maintain the temperature once the setpoint temperature is reached. The fan heater may operate continuously for long periods of time without stopping; this is normal behaviour. • If the fan heater never stops, the thermostat or timer may be defective. Contact Stelpro Customer Service.
The ambient temperature is too high.	<ul style="list-style-type: none"> • The fan heater may temporarily heat beyond the setpoint temperature but will never exceed it by more than 1 °C (2 °F). • Make sure that the heater is not oversized for the room. • If the problem persists, the thermostat may be defective. Contact Stelpro Customer Service.
Heating is not operational.	<ul style="list-style-type: none"> • The fan heater's thermal protection has been triggered. Restart the fan heater (see Restarting the fan heater after the thermal protection is triggered, p. 13). • Check if an open window has been detected. If so, close the window. • Make sure the temperature setpoint is not too low. • Check whether the fan heater's wiring is correctly connected. See Connecting the wiring, page 6. • If the problem persists, the thermostat or one of the heating elements may be defective. Contact Stelpro Customer Service.
Heating stops, but the fan continues to run.	<ul style="list-style-type: none"> • The fan heater is overheating, and the thermal protection has been triggered. Restart the fan heater (see Restarting the fan heater after the thermal protection is triggered, p. 13). • If the problem persists, it is possible an internal component is defective. Contact Stelpro Customer Service.
With a wall thermostat: the fan heater turns on and off frequently.	<ul style="list-style-type: none"> • Make sure the wall thermostat is in fan mode.
The temperature setpoint cannot be changed on the built-in thermostat (the buttons do not respond, except to access the advanced menus).	<ul style="list-style-type: none"> • Disable lock mode. • BOOST mode is enabled. Wait for it to finish its cycle or deactivate it.

RESTARTING THE FAN HEATER AFTER THE THERMAL PROTECTION IS TRIGGERED

In the event of overheating, the unit's thermal protection will trigger to prevent damage. When this happens, heating is switched off, but ventilation continues to evacuate heat, which is considered ventilation without heat. Once the thermal protection is triggered, you must restart the fan heater to resume normal operation:

NOTE: If the fan heater has a built-in thermostat, the  icon will appear on the display.

With a wall thermostat

1. Switch off the power supply to the fan heater directly at the electrical panel or lower the setpoint temperature sufficiently to stop the heating demand.
2. Find the cause of the overheating and eliminate it. For instance, make sure no objects are blocking the air inlets and outlets and that they are clean.
3. Wait 10 minutes, then turn the power back on or turn up the setpoint temperature.

With a built-in thermostat

When the thermal protection is triggered, the fan heater automatically makes up to three restart attempts.

1. Find the cause of the overheating and eliminate it. For instance, make sure no objects are blocking the air inlets and outlets and that they are clean. If the cause of the overheating is removed during automatic restarts, the unit will start heating again.
2. If, after its three restart attempts, the fan heater does not start heating again, press any of the three buttons to manually restart it.

If you do not identify the cause of the overheating or if the fan heater doesn't begin heating again after a restart, it means an internal component may be defective, or an additional thermal protection device has been triggered. In this case, contact Stelpro's customer service department.

MAINTAINING THE FAN HEATER

FOR THE WARRANTY TO BE VALID, THE FAN HEATER'S AIR INLET AND OUTLET MUST BE CLEANED REGULARLY.

WARNING: Cut off the power at the breaker or fuse before cleaning the unit. High voltage and the risk of electric shock are present in the unit even if the thermostat is set to off. Therefore, you can receive an electrical shock as long as the unit is under power.

Over time, cigarette smoke may cause the outlet grill to yellow. The best way to prevent yellowing is to clean the unit regularly.

Dust the front panel with a soft cloth and clean it with a damp cloth only. If you use cleaning products, they could cause the heater to yellow.

If the unit is installed in a very dusty location, use the dust brush of a vacuum cleaner to remove dust and other foreign objects.

When maintaining the product, never use:

- A brush or metal scrubbing pad
- Chlorine
- Abrasive cleaning products
- Hydrochloric acid-based products such as bleach
- Any other cleaning products that bear the following symbols:



TECHNICAL INFORMATION

Built-in control device	
Thermistor used as a sensor that does not carry a charge	
Software	Class A
Nature of supply	Device for alternating current only
Type of controlled load	Resistive
Action	Type 1.Y
Control pollution degree	2
Frequency	60 Hz
Overload protection device	Current circuit breaker external to the control (refer to local electrical code)
Rated impulse voltage	Overvoltage category II (1500 V)

STELPRO LIMITED WARRANTY

This limited warranty is offered by STELPRO Design inc. ("STELPRO") and applies to the following product made by STELPRO: **SOA** model. **Please read this limited warranty carefully.** Subject to the terms of this warranty, STELPRO warrants its products and their components against defects in workmanship and/or materials for the following periods from the date of purchase: **5 years (3 years on electronic components)**. This warranty applies only to the **original purchaser**; it is non-transferable and cannot be extended.

CLAIM PROCEDURE

If at any time during the warranty period the unit becomes defective, you must cut off the power supply at the main electrical panel and contact 1) your installer or distributor, 2) your service centre or 3) STELPRO's customer service department. In all cases, you must have a **copy of the invoice** and provide the **information written on the product nameplate**. STELPRO reserves the right to examine or to ask one of its representatives to examine the product itself or any part of it before honoring the warranty. STELPRO reserves the right to replace the entire unit, refund its purchase price or repair a defective part. Please note that repairs made within the warranty period must be authorized in advance in writing by STELPRO and carried out by persons authorized by STELPRO.

Before returning a product to STELPRO, you must have a STELPRO authorization number (RMA). To obtain it, call the customer service department at: **1-844-STELPRO**. The authorization number must be clearly written on the parcel or it will be refused.

CONDITIONS, EXCLUSIONS AND DISCLAIMER OF LIABILITY

This warranty is exclusive and in lieu of all other representations and warranties (except of title), expressed or implied, and STELPRO expressly disclaims and excludes any implied warranty of merchantability or implied warranty of fitness for a particular purpose.

STELPRO's liability with respect to products is limited as provided above. STELPRO shall not be subject to any other obligations or liabilities whatsoever, whether based on contract, tort or other theories of law, with respect to goods or services furnished by it, or any undertakings, acts or omissions

relating thereto. Without limiting the generality of the foregoing, STELPRO expressly disclaims any liability for property or personal injury damages, penalties, special or punitive damages, damages for lost profits, loss of use of equipment, cost of capital, cost of substitute products, facilities or services, shutdowns, slowdowns, or for other types of economic loss or for claims of a dealer's customers or any third party for such damages. STELPRO specifically disclaims all consequential, incidental and contingent damages whatsoever.

This warranty does not cover any damages or failures resulting from: 1) a faulty installation or improper storage; 2) an abusive or abnormal use, lack of maintenance, improper maintenance (other than that prescribed by STELPRO) or a use other than that for which the unit was designed; 3) a natural disaster or an event out of STELPRO's control, including, but not limited to, hurricanes, tornadoes, earthquakes, terrorist attacks, wars, overvoltage, flooding, water damages, etc. This warranty does not cover any accidental or intentional losses or damages nor does it cover damages caused by negligence of the user or owner of the product. Moreover, it does not cover the cost of disconnection, transport, and installation.

The warranty is limited to the repair or the replacement of the unit or the refund of its purchase price, **at the discretion of STELPRO**. Any parts replaced or repaired within the warranty period with the written authorization of STELPRO will be warranted for the remainder of the original warranty period. This warranty will be considered null and void and STELPRO will have the right to refuse any claims if **products have been altered** without the written authorization of STELPRO and if the nameplate numbers have been removed or modified. This warranty does not cover scratches, dents, corrosion or discoloration caused by excessive heat, chemical cleaning products and abrasive agents. It does not cover any damage that occurred during the shipping.

Some states and provinces do not allow the exclusion or limitation of incidental or consequential damages and some of them do not allow limitations on how long an implied warranty lasts, so these exclusions or limitations may not apply to you. This warranty gives you specific legal rights and you may have other rights which vary from state to state or from province to province.