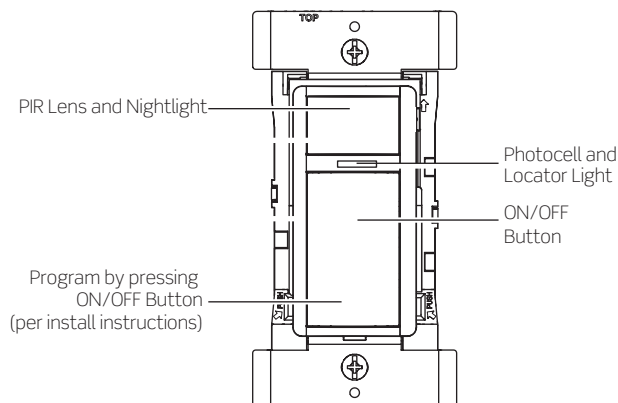


# Smart PIR Wall Switch Sensor



## Description

The Leviton Smart Wall Switch Occupancy Sensor (ODS15-xxx) uses Passive Infrared (PIR) detection technology to monitor a room for occupancy using a segmented, tamper resistant lens. A specialized lens divides the field-of-view into sensor zones. When a person passes in or out of a sensor zone, the sensor detects motion and switches the lights ON. The lights will remain ON as long as an occupant is moving through the sensor zones. The ODS15-xxx's vacancy mode features manual-ON/ auto-OFF for installations where manual-ON switching is required for energy code applications. A "minor motion" zone detects small body movements allowing the lights to stay ON even though a person may not be moving or walking around the room. The "major motion" zone, exhibits a lesser degree of sensitivity and requires larger movements.

Configuration of the ODS15-xxx is made using the Leviton Smart Sensor App from a smartphone or other Bluetooth®-enabled Android or iOS device. Simple configuration can also be applied using pushbutton setup for several popular pre configured options. The ODS15 integrates a photocell for daylighting hold-OFF which can be programmed using the Leviton Smart Sensor App.

## Applications

- Office
- Small Lobbies
- Meeting Rooms

## Features

- Can be used to comply with IECC, ASHRAE 90.1, and 2019 Title 24, Part 6 occupancy/vacancy sensing and manual control requirements
- Fits in a standard wallbox and gangable with other units
- Controls General Purpose plug loads up to 20A and LED lighting loads up to 10A
- One relay module for single-level switching

## Features (continued)

- 180° field-of-view provides approximately 1,100 square feet of coverage
- Latest PIR technology accurately detects minor motion up to 400sq ft and major motion up to 1,100 sq ft
- Maximum sensing distance in front of the sensor is 30-40 feet and 15-20 feet on either side
- Integrated photocell for daylighting hold-OFF
- Add a Power Pack and Controlled Receptacles for plug load control
- Multi-way with up to 5 devices
- Advanced configuration can be performed using the Leviton Smart Sensor App on any Bluetooth-enabled Android or iOS device:
  - Set the operating mode for Occupancy (auto-ON/auto-OFF) or Vacancy (manual-ON/auto-OFF)
  - Adjust sensitivity and timeouts
  - Enable the integrated photocell for daylighting hold-OFF and select target daylighting hold-OFF levels
  - Activate the nightlight and select nightlight color
  - Set a security code to lock configuration settings
- Out-of-the-box configuration default mode:
  - Auto-ON/Auto-OFF with 10-minute timeout
  - Sensitivity set to 75%
  - Nightlight and daylighting disabled
- Convenient pushbutton hold configuration for installers—no

### Pushbutton Hold Configuration

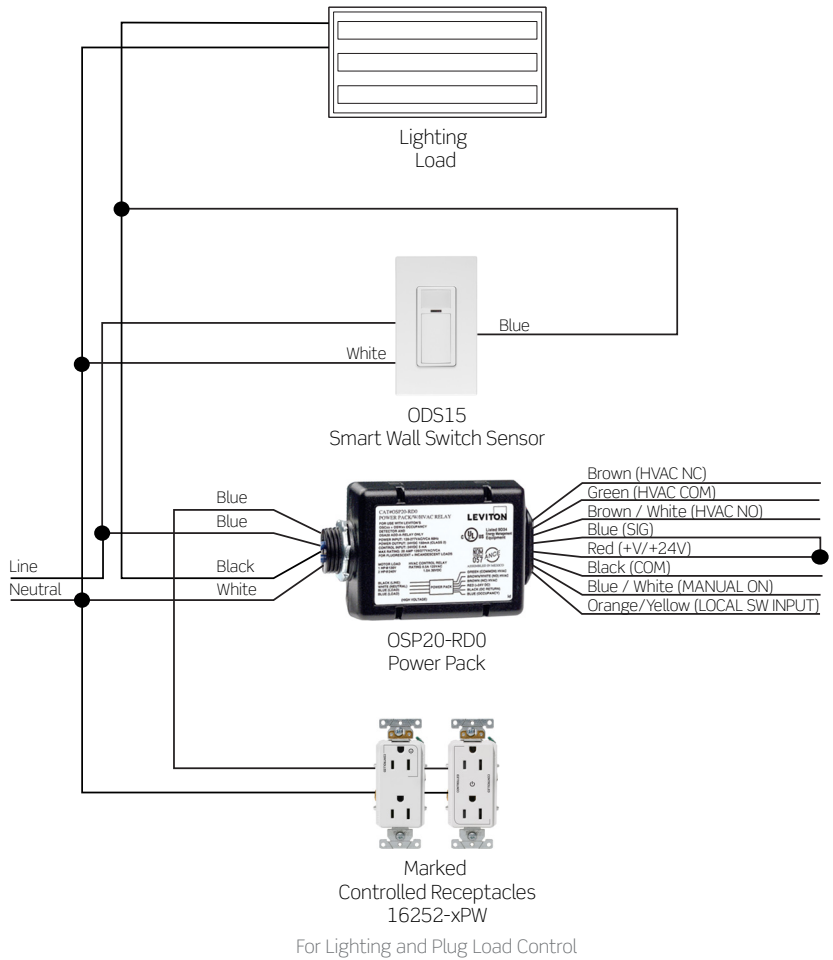
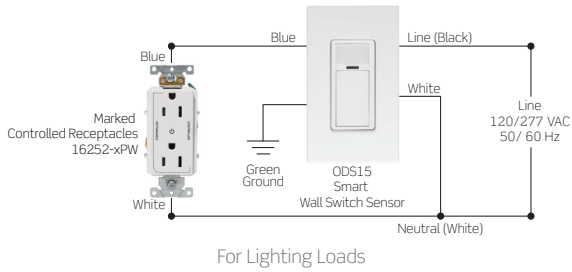
Button (#)	Operating Mode	Sensitivity (%)	Time Out (mins)
1	Auto-ON/ Auto-OFF	75	10
2			20
3		100	10
4			20
5	Manual-ON/ Auto-OFF	75	10
6			20
7		100	10
8			20

\*Requires removal of front face cover

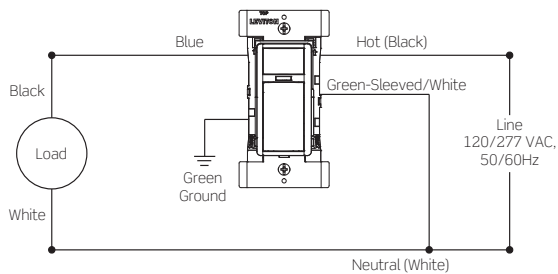
# Product Data

ODS15-xxx

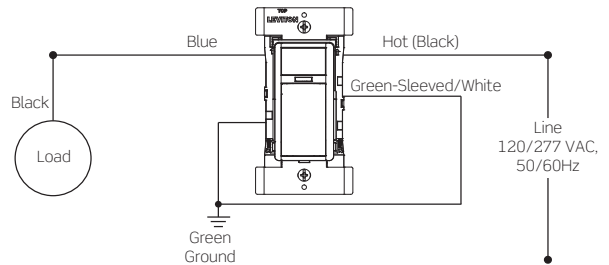
## Wiring Diagrams—ODS15-IDx / I1x



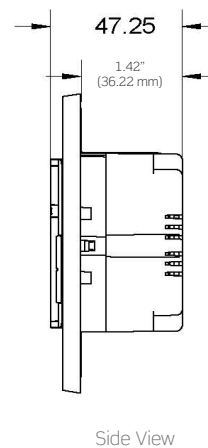
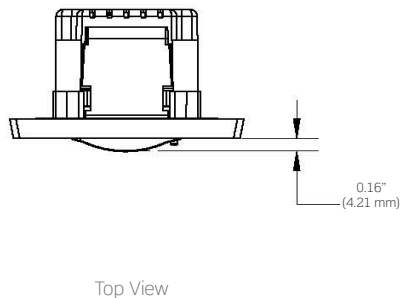
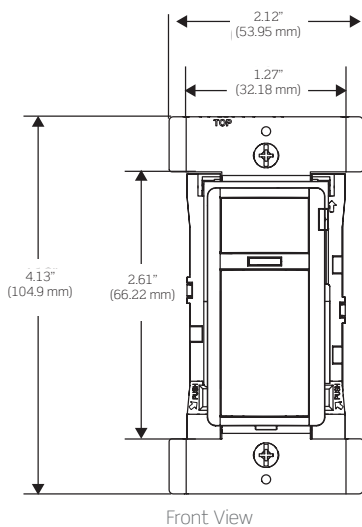
## Wiring Diagram—Neutral—ODS15-GDx



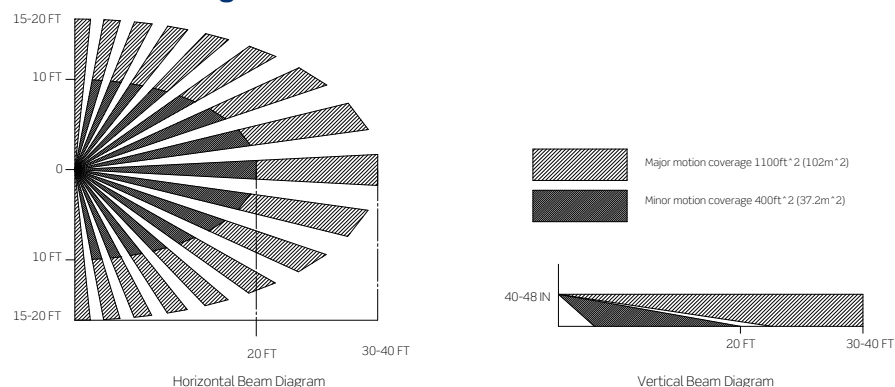
## Wiring Diagram—No Neutral—ODS15-GDx



## Dimensions Diagrams



## Field of View Diagram



## Specifications

Electrical	
Input Voltage/Frequency	
120-277VAC	50/60Hz
120VAC	60Hz
Input Current	
120V	Standby: 0.2W Max: 0.5W+Load Current
277V	Standby: 0.3W Max: 0.6W+Load Current
Load Ratings	
General Purpose @ 120V	20A
General Purpose @ 277V*	
LED/Electronic Ballast @ 120V	10A
LED/Electronic Ballast @ 277V*	
Standard Ballast @ 120V	
Standard Ballast @ 277V	
Tungsten @ 120V	6.67A
Tungsten @ 277V	
Motor @ 120V	1/4HP (FLA 5.8A)
Motor @ 277V	1/3HP (FLA 3.0A)
IP Rating	IP710
Network Connections	BLE 4.2, BLE 5.0
Environmental	
Operating Temperature	32 to 104°F (0 to 40°C)
Storage Temperature	-40 to 185°F (-40 to 85°C)
Physical	
Dimensions	4.13" x 2.12" x 1.86" (104.90mm x 53.95mm x 47.25mm)
Other	
Energy Codes	Can be used to comply with IECC, ASHRAE 90.1 and 2019 Title 24, Part 6 occupancy/vacancy and manual control requirements
Listings	IECC, UL and cUL Listed
Certifications	FCC, ICC
Warranty	Limited five-year warranty

\*Only applicable to ODS15-IDW/IDI

## Ordering Information

Smart Wallbox Sensors	
Cat. No.	Description
ODS15-GDW	Smart PIR Wallbox Sensor, App configurable; Auto-ON/Auto-OFF or Manual-ON/Auto-OFF. no neutral wire required. 120-277VAC, 50/60hz; White
ODS15-GDI	Smart PIR Wallbox Sensor, App configurable; Auto-ON/Auto-OFF or Manual-ON/Auto-OFF. no neutral wire required. 120-277VAC, 50/60hz; Ivory
ODS15-IDW	Smart PIR Wallbox Sensor, App configurable; Auto-ON/Auto-OFF or Manual-ON/Auto-OFF, neutral wire required, 120-277VAC, 50/60Hz; White
ODS15-IDI	Smart PIR Wallbox Sensor, App configurable; Auto-ON/Auto-OFF or Manual-ON/Auto-OFF, neutral wire required, 120-277VAC, 50/60Hz; Ivory
ODS15-I1W	Smart PIR Wallbox Sensor, App configurable; Auto-ON/Auto-OFF or Manual-ON/Auto-OFF, neutral wire required, 120VAC, 60Hz; White
ODS15-I1I	Smart PIR Wallbox Sensor, App configurable; Auto-ON/Auto-OFF or Manual-ON/Auto-OFF, neutral wire required, 120 VAC, 60Hz; Ivory
ODSKT-00E	Smart Switching Wallbox Sensor Color Change Kit, Black
ODSKT-00R	Smart Switching Wallbox Sensor Color Change Kit, Red
ODSKT-00G	Smart Switching Wallbox Sensor Color Change Kit, Gray
ODSKT-00I	Smart Switching Wallbox Sensor Color Change Kit, Ivory
ODSKT-00T	Smart Switching Wallbox Sensor Color Change Kit, Light Almond
ODSKT-00W	Smart Switching Wallbox Sensor Color Change Kit, White

### Leviton Manufacturing Co., Inc. Lighting & Controls

20497 SW Teton Avenue, Tualatin, OR 97062 **tel** 800-736-6682 **tech line** (6:00AM-4:00PM PT Mon-Fri) 800-959-6004

### Leviton Manufacturing Co., Inc. Global Headquarters

201 North Service Road, Melville, NY 11747-3138 **tel** 800-323-8920 **tech line** (8:30AM-7:00PM ET Mon-Fri) 800-824-3005

Visit our Website at: [www.leviton.com/smartsensors](http://www.leviton.com/smartsensors)

©2021 Leviton Manufacturing Co., Inc. All rights reserved. Subject to change without notice.