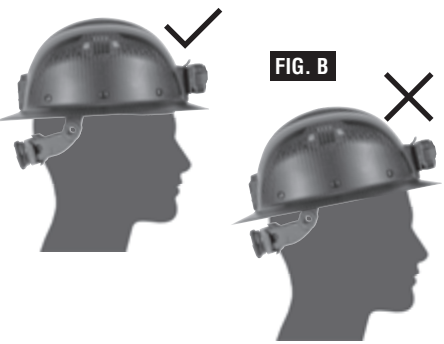
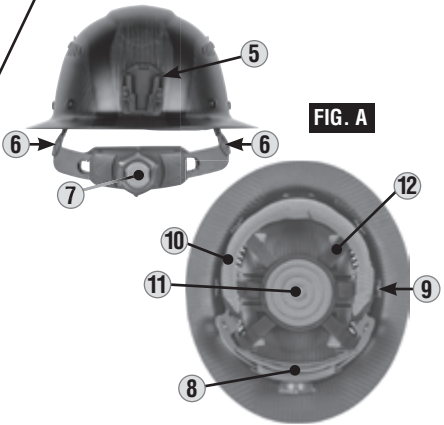
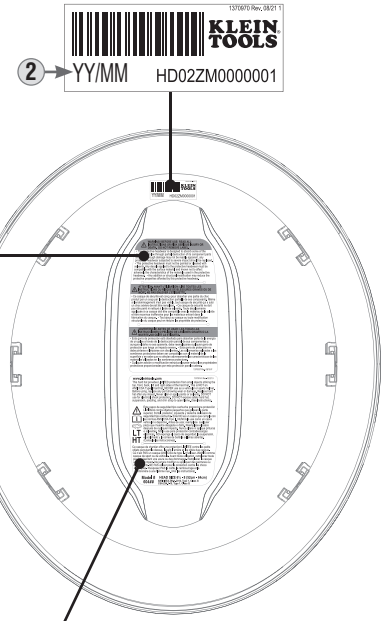
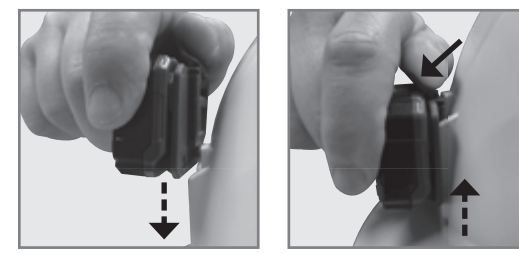
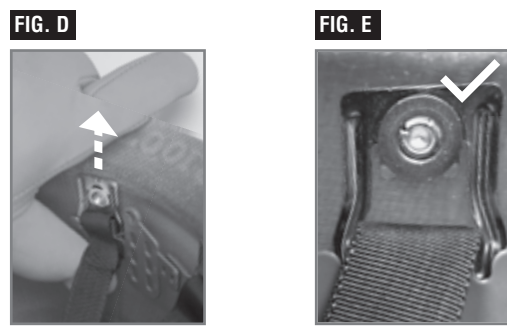
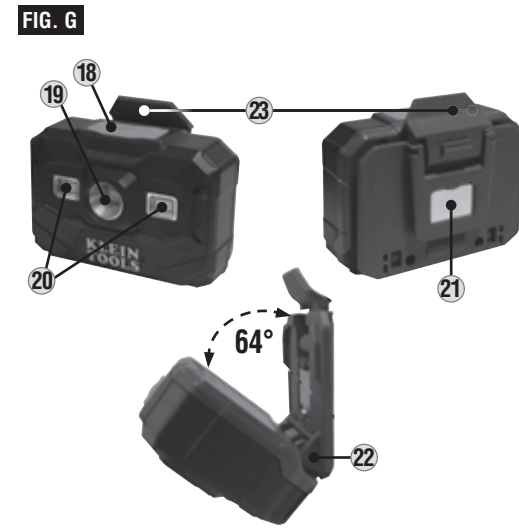
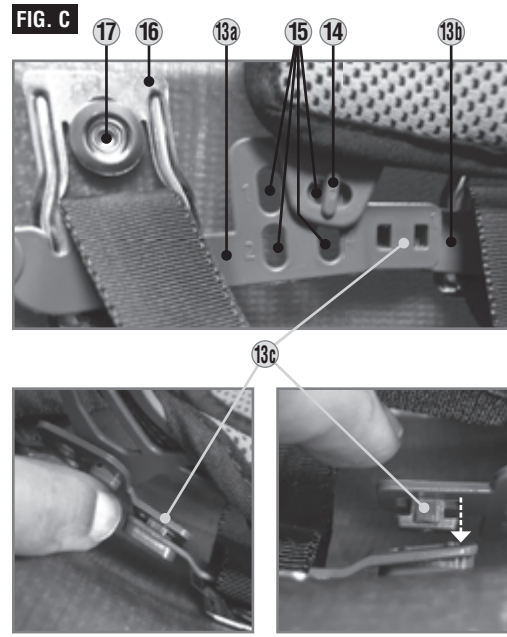




Instructions for Carbon Fiber Full-Brim Hard Hats
Instrucciones para casco de fibra de carbono tipo cachucha con ala completa
Instructions pour les casque de chantier à rebord intégral en fibre de carbone



WARNING! BEFORE USE: READ ALL INSTRUCTIONS OR RISK SERIOUS INJURY OR DEATH. DO NOT REMOVE LABEL.

- This protective headwear is designed to absorb some of the energy of a blow through partial destruction of its component parts and, even though damage may not be readily apparent, any protective headwear subjected to severe impact should be replaced.
- This protective headwear must not be painted or cleaned with solvents. Any decals applied to the protective headwear must be compatible with the surface material and known not to affect adversely the characteristics of the materials used in the protective headwear.
- Any addition or structural modification may reduce the protective properties afforded by this protective headwear.

ATTENTION. AVANT UTILISATION: LIRE TOUTES LES INSTRUCTIONS OU RISQUE DE BLESSURES GRAVES OU DE MORT. NE PAS ENLEVER L'ÉTIQUETTE.

- Ce casque de sécurité est conçu pour absorber une partie du choc produit par un coup par la destruction partielle de ses composants. Même si l'endommagement n'est pas visible, tout casque de sécurité qui a subi un choc sévère devrait être remplacé.
- Ce casque de sécurité ne doit pas être peint ni nettoyé à l'aide de solvants. Toute décalcomanie appliquée à ce casque doit être compatible avec le matériau de la calotte et être reconnue inoffensive pour les matériaux entrant dans la fabrication du casque.
- Tout ajout au casque ou toute modification structurale du casque peut en réduire les propriétés de protection.

ADVERTENCIA! ANTES DE USAR: LEA TODAS LAS INSTRUCCIONES O PELIGRO DE LESIONES GRAVES O LA MUERTE. NO quite LA ETIQUETA.

- Esta gorra de protección está diseñada para absorber parte de la energía de un golpe a través de la destrucción parcial de sus componentes y, aunque el daño no sea aparente, debe reemplazarse cualquier gorro de protección que tenga un impacto severo.
- Esta gorra de protección no debe pintarse ni limpiarse con disolventes. Las calcomanías aplicadas a los sombreros protectores deben ser compatibles con el material de la superficie y se sabe que no afectan adversamente las características de los materiales utilizados en los sombreros protectores.
- Cualquier adición o modificación estructural puede reducir las propiedades protectoras proporcionadas por esta protección para la cabeza.

1370537 Rev. 08/19 F

www.kleintools.com 1371077 Rev. 01/23 A

This hard hat provides LIMITED protection from small objects striking the top, front, back, left and right sides of the hard hat. This is NOT an ANSI/CSA Type II hard hat. NEVER use as a vehicular or sports helmet. Before using, replace any part showing wear or damage. Replace hard hat after any impact. Never alter or apply paints or solvents. DO NOT use for electrical shock protection. DO NOT expose safety hard hat, suspension, padding, and chin strap to open flame. (See instructions).

Este casco de seguridad tipo cachucha proporciona protección LIMITADA contra objetos pequeños que golpean la parte superior, frontal, posterior, izquierda y derecha del casco de seguridad tipo cachucha. Este NO es un casco que cumple con las normas ANSI/CSA Tipo II. NUNCA lo use como un casco vehicular o deportivo. Antes de usar, reemplace cualquier pieza que muestre desgaste o daño. Reemplace el casco después de cualquier impacto. Nunca altere ni aplique pinturas o solvantes. NO lo use para protección contradescargas eléctricas. NO exponga el casco de seguridad, la suspensión, el acolchado y la correa de barbilla a llamas abiertas. (Consulte las instrucciones).

Ce casque de chantier offre une protection LIMITÉE contre les petits objets percutant le dessus, l'avant, l'arrière et les côtés du casque. Ce n'est PAS un casque ANSI/CSA de type II. N'utilisez JAMAIS comme casque de sport ou de véhicule. Avant toute utilisation, remplacez toute pièce présentant une usure ou des dommages. Remplacez le casque après tout impact. Ne jamais modifier ou appliquer des peintures ou des solvants. NE PAS utiliser pour la protection contre les chocs électriques. N'exposez PAS la coiffe, le rembourrage et la mentonnière à une flamme nue. (Voir les instructions).

Model # HEAD SIZE 6 1/2 - 8 (52cm - 64cm)

ANSI/SEA Z89.1-2014, Type 1, Class C
 CSA Z94.1-15, Type 1, Class C

NOTE: This label is representative; contents will vary based on model #.
 NOTA: esta etiqueta es representativa; los contenidos variarán según el n.º del modelo.
 REMARQUE: Cette étiquette est fournie à titre indicatif; son contenu varie en fonction du numéro de modèle.

CUSTOMER SERVICE
SERVICIO AL CLIENTE
SERVICE À LA CLIENTÈLE

KLEIN TOOLS, INC.
 450 Bond Street, Lincolnshire, IL 60069 1-800-553-4676
 customerservice@kleintools.com www.kleintools.com

GENERAL SPECIFICATIONS

- **Standards:** These Klein Tools Hard Hats comply with Type 1 ANSI/SEA Z89.1-2014 (R2019), CSA Z94.1-15 (R2020):
 - Tested to High Temperature (HT) rating: 140°F (60°C)
 - Tested to Low Temperature (LT) rating: -22°F (-30°C)
- **Material:** 3K Carbon Fiber
- **Fits:** Head Sizes 6-1/2 to 8 (20-1/2 to 25 inches / 52 to 64 cm)

SYMBOLS ON PRODUCT

- 1 Compliant Standards, Class, Type, and Head Size information
- 2 Date of manufacture (Year/Month)
- 3a Warning symbol
- 3b Read instructions
- 4a Reverse donning symbol
- 4b Low temp/High temp symbol

WARNING LABELS

There are two warning labels affixed to the inside of this hard hat. Read, understand, and follow these instructions to ensure safe operation. **DO NOT REMOVE THESE LABELS.**

⚠ WARNINGS

READ ALL INSTRUCTIONS. FAILURE TO FOLLOW THESE WARNINGS AND INSTRUCTIONS MAY RESULT IN SERIOUS BODILY INJURY OR DEATH.

- This hard hat provides LIMITED protection from small objects striking the top of the hard hat.
- **DO NOT** expose suspension and padding to open flame.
- **ELECTRICAL WARNING:** Avoid areas where the chance of electrical shock exists. Class C vented models provide **NO** electrical protection.
- If the hard hat has sustained an impact, dispose of it IMMEDIATELY, even if damage is not visible.
- **NEVER** alter, puncture, modify or engrave the shell or the suspension.
- **DO NOT** use paints, solvents, chemicals, polish, oils, lubricants, insect repellent, adhesives, gasoline or like substances on this hard hat – doing so can lessen the protection offered against impact and penetration.
- **DO NOT** use this hard hat as a vehicular or recreational hard hat.
- **DO NOT** store objects between the suspension and the shell, as the hard hat will not function as intended and can lessen the protection from impact and penetration.

MAINTENANCE

HARD HAT CLEANING AND STORAGE

- Clean the hard hat and suspension with mild soap and water only. Rinse and wipe dry. Clean optional chin strap with damp cloth only. Store in a cool place.
- See SWEATBAND AND TOP COMFORT PAD section of the operating instructions (on other side) for additional maintenance information.

INSPECTION AND REPLACEMENT

Inspect the hard hat, including the suspension and shell, before and after each use:

- Check the Hard Hat's shell for any cracks, breakage, discoloration, or any other damage, excessive wear or unusual condition. These conditions may indicate reduced impact or penetration resistance and the Hard Hat must be replaced IMMEDIATELY.
- The suspension and optional chin strap should be checked for cracks, breaks, damaged stitching or any other damage, excessive wear or unusual condition. If any of these conditions exist, the suspension and optional chin strap must be replaced IMMEDIATELY.
- Always use genuine Klein Tools replacement parts. This product works as a system, and use of unauthorized suspensions or accessories may reduce the protection you receive from this hard hat.

USEFUL LIFE

SUSPENSION AND OPTIONAL CHIN STRAP: Must be replaced after no more than 12 months of use.

ENTIRE HARD HAT: Entire Hard Hat should be replaced after 2 years of use, or no more than 5 years from the date of manufacture, whichever comes first.

These are useful service life guidelines. Regular inspection as detailed in the MAINTENANCE section above **MUST** be performed, and may result in possible earlier replacement.

NOTE: This replacement schedule is a guideline that assumes normal use and storage conditions for the hard hat. If the hard hat is exposed to temperature extremes, persistent sunlight, or chemicals, replacement may be required in a shorter time frame.

WARRANTY

www.kleintools.com/warranty

ACCESSORIES AND REPLACEMENT PARTS

Klein Tools hard hat accessories and replacement parts are available online or at major distributors:

- **HTSPN:** Replacement Suspension
- **KHHSWTBND:** Sweatband (3-pack)
- **KHHSWTBND2:** Premium Sweatband (3-pack)
- **KHHTOPPAD:** Top Comfort Pad (3-pack)
- **KHHTOPPAD2:** Premium Top Comfort Pad (3-pack)
- **KHHSTRP:** Chin Strap
- **56048:** Rechargeable Auto-Off Headlamp (Spot/Flood)
- **56049:** Rechargeable Light Array Headlamp (Flood only)
- **56062:** Rechargeable Headlamp / Worklight (Spot/Flood)
- **56063:** Safety Lamp
- **60155:** Cooling Fan
- **60156:** Intrinsically Safe LED Headlamp

NOTE: KLEIN TOOLS CANNOT GUARANTEE THAT THIRD-PARTY ACCESSORIES WILL PERFORM OR FIT OPTIMALLY WITH KLEIN TOOLS HARD HATS.

NOTE: NOT ALL ACCESSORIES THAT FIT ON THIS HARD HAT ARE COMPATIBLE WITH HIGH-TEMPERATURE ENVIRONMENTS. CHECK THE USER MANUAL FOR THE PARTICULAR ACCESSORY BEFORE USE.

DISPOSAL / RECYCLE



Please dispose of responsibly. The shell is made from carbon fiber that is not widely recyclable. See www.epa.gov/recycle for additional information.

FEATURE DETAILS (FIG. A)

- | | |
|--|------------------------------------|
| 5 Klein Tools Accessory Mounts (60512 and 60514, x2) | 13a Outer Suspension Bracket (x4) |
| 6 Pivot Adjustment (x2) | 13b Center Suspension Bracket (x2) |
| 7 Size Adjustment Knob | 13c Center Bridge Tab (x4) |
| 8 Rear Neck Pad | 14 Bracket Key (x4) |
| 9 Suspension Anchor Points (x6) | 15 Bracket Key Slot (x20) |
| 10 Washable Sweatband | 16 Metal Anchor (x6) |
| 11 Washable Top Comfort Pad | 17 Rivet (x6) |
| 12 Suspension Straps (x6) | |

FITTING (FIG. B)

All hard hats come with suspension pre-installed at factory settings. The suspension can be adjusted to ensure proper and secure fit to your head for maximum protection. Follow the steps below:

STEP 1: Turn the Size Adjustment Knob 7 counterclockwise to loosen the fit. Position the Rear Neck Pad 8 on the back of your head, closer to the neck. Dress any bandana knots or ponytails over the rear neck pad 8.

STEP 2: Tighten by turning the Size Adjustment Knob 7 clockwise until the hard hat is comfortable and snug. Move your head up, down and side-to-side gently, like you would normally, and make sure the hard hat stays on. Make sure that the hard hat is not angled forward or backward, but rests level on your head.

ADJUSTMENTS

If the hard hat does not fit properly at the factory settings, you can further adjust the fit:

STEP 1: Separate the Outer Suspension Bracket 13a from the Center Suspension Bracket 13b by pulling back gently on the Outer Suspension Bracket 13a to release the Center Bridge Tab 13c. Do this on all four Bracket locations before moving to the next step. (FIG. C).

STEP 2: Determine which Bracket Key Slot 15 you wish to reattach to. Using the slots deeper in the hard hat will move frame higher on the head, and vice versa. Turn the Outer Suspension Bracket 13a approximately 90° to release the Bracket Key 14 from the Bracket Key Slot 15. Insert the Bracket Key 14 into the new slot location and rotate the Outer Suspension Bracket 13a back approximately 90° to secure. Always match the settings on the left and right sides to prevent the suspension from sitting at an angle.

STEP 3: Secure the Outer Suspension Bracket 13a by snapping back the Center Bridge Tab 13c in a total of four locations before moving to the next step.

STEP 4: Verify the hard hat fits properly. Follow the steps in the FITTING section to ensure proper fit. Ensure that accessories you plan to use fit and function properly while maintaining the hard hat's ability to perform its function optimally. Check with a qualified safety expert if unsure.

SUSPENSION REPLACEMENT

NOTE: It is recommended that you wear hand protection when performing actions in this section.

STEP 1: Separate the Outer Suspension Brackets 13a from the Center Suspension Bracket 13b by pulling back gently on the Outer Suspension Brackets 13a to release the Center Bridge Tab 13c in a total of four locations before moving to the next step. (FIG. C).

STEP 2: Place your thumbs under the Outer Suspension Brackets 13a and push upwards. This will release the Metal Anchor 16 from the Rivet 17 in six locations (FIG. D). **DO NOT** push on the Metal Anchors, as this could cause injury or deform the anchor.

STEP 3: On the replacement suspension, determine which Key Slot 15 you want to reattach to. Turn the Outer Suspension Bracket 13a approximately 90° to release the Bracket Key 14 from the Key Slot 15. Insert the Bracket Key 14 at the new slot location and rotate the Outer Suspension Bracket 13a back approximately 90° to secure. Always match the settings on the left and right sides to prevent the suspension from sitting at an angle.

STEP 4: Secure the Outer Suspension Brackets 13a by snapping back the Center Bridge Tabs 13c in a total of four locations before moving to the next step (FIG. C).

SUSPENSION REPLACEMENT

STEP 5: Position the Metal Anchor(s) 16 on top of the Rivet(s) 17 and gently pull on the Suspension Straps 12 until the Metal Anchor(s) 16 are properly seated. Make sure all six Metal Anchor(s) 16 are properly seated on the Rivets 17 and are all at the same level (FIG. E).

STEP 6: Verify the hard hat fits properly. Follow the steps in the FITTING section to ensure proper fit. Ensure that accessories you plan to use fit and function properly while maintaining the hard hat's ability to perform its function optimally. Check with a qualified safety expert if unsure.

NOTE: DO NOT pull on the suspension straps to free the anchor. This could permanently damage the anchors and straps, preventing them from performing as intended.

NOTE: The suspension strap lengths are fixed and cannot be adjusted. DO NOT attempt to alter.

SWEATBAND AND TOP COMFORT PAD (FIG. F)

Klein Tools hard hats come with an advanced sweatband and top comfort pad designed to wick away sweat. They are machine washable in a normal wash cycle. Do NOT wash with bleach or with detergents containing bleach. Machine dry on normal or low heat setting only.

The sweatband and top comfort pad can be easily removed and reinstalled on the suspension:

- The top comfort pad is held in place by a single Hook-and-Loop pad 24.
- The sweatband is held in place by four Suspension Hooks 25 and three Hook-and-Loop Pads 24, on the side and front. To remove, simply detach all Hook-and-Loop pads and slide the sweatband off the suspension hooks.

56062 HEADLAMP (60512 AND 60514 ONLY) (FIG. G)

The optional 56062 is a rechargeable headlamp designed specifically for Klein hard hats that have the integrated front and rear Accessory Mounts 5. It functions as a spot light or flood light, and has magnet to attach onto magnetic surfaces for use as a worklight. Charging cable is included with models that include rechargeable headlamps.

- | | |
|-----------------------|-------------------|
| 18 On/Off/Mode button | 21 Magnet |
| 19 Spot light | 22 Pivoting mount |
| 20 Flood lights | 23 Release tab |

The 56062 can be attached to both the front and back of the hard hat via the Klein Tools Accessory Mount 5. It can be tilted up to 64° on the hard hat, or stand alone as a worklight.

To install the headlamp, align the Pivoting Mount 22 with the Klein Tools accessory slot 5 on the hard hat and push down until the headlamp clicks securely into place.

To remove the headlamp, press forward on the Release Tab 23, and lift the headlamp out of the Accessory Slot 5.

STICKERS

⚠ WARNING: Klein Tools DOES NOT approve the application of stickers, hot stamps, inks, or foils that have metallic content to this hard hat by end users. Such modifications can alter the performance of the hard hat.

ESPECIFICACIONES GENERALES

- **Normas:** estos cascos de seguridad tipo cachucha de Klein Tools cumplen con las normas ANSI/ISEA Z89.1-2014 Tipo I (R2019) y CSA Z94.1-15 (R2020):
 - Sometidos a pruebas de alta temperatura (HT): 140 °F (60 °C)
 - Sometidos a pruebas de baja temperatura (LT): -22 °F (-30 °C)
- **Materia:** Fibra de carbono 3 K
- **Se adapta a:** tamaños de cabeza de 6-1/2 a 8 (20-1/2" a 25" / 52 a 64 cm)

SÍMBOLOS EN EL PRODUCTO

- 1 Información sobre normas con las que cumple, clase, tipo y tamaño de cabeza
- 2 Fecha de fabricación (año/mes)
- 3a Símbolo de advertencia
- 3b Lea las instrucciones
- 4a Símbolo de colocación inversa
- 4b Símbolo de alta/baja temperatura

ETIQUETAS DE ADVERTENCIA

Hay dos etiquetas de advertencia pegadas en el interior de este casco de seguridad tipo cachucha. Lea, comprenda y siga estas instrucciones para garantizar un funcionamiento seguro. **NO RETIRE ESTAS ETIQUETAS.**

⚠ ADVERTENCIAS

LEA TODAS LAS INSTRUCCIONES. NO SEGUIR ESTAS ADVERTENCIAS E INSTRUCCIONES PUEDE CAUSAR LESIONES PERSONALES GRAVES O INCLUSO LA MUERTE.

- Este casco de seguridad tipo cachucha proporciona protección LIMITADA contra golpes de objetos pequeños en la parte superior del casco.
- **NO** exponga la suspensión ni el acolchado a llamas abiertas.
- **ADVERTENCIA DE ELECTRICIDAD:** evite las áreas donde exista la posibilidad de recibir choques eléctricos. Los modelos de casco Clase C **NO** brindan protección eléctrica.
- Si el casco ha sufrido un impacto, deséchelo DE INMEDIATO, incluso si el daño no es visible.
- **NUNCA** altere, perforo, modifique o grabe el casquete o la suspensión.
- **NO** use pinturas, solventes, sustancias químicas, pulidores, aceites, lubricantes, repelente de insectos, adhesivos, gasolina o sustancias similares en este casco, ya que esto puede reducir la protección que ofrece contra el impacto y la penetración.
- **NO** use este casco para conducir o con fines recreativos.
- **NO** almacene objetos entre la suspensión y el casquete, ya que el casco de seguridad no funcionará como debe y se puede reducir la protección contra el impacto y la penetración.

MANTENIMIENTO

LIMPIEZA Y ALMACENAMIENTO DEL CASCO

- Limpie el casco de seguridad y la suspensión únicamente con agua y jabón suave. Enjuague y seque con un paño. Limpie la correa de barbilla opcional únicamente con un paño húmedo. Almacene en un lugar fresco.
- Consulte la sección BANDA ABSORBENTE DE SUDOR Y ALMOHADILLA SUPERIOR CÓMODA de las instrucciones de funcionamiento (en el reverso) para obtener información adicional sobre el mantenimiento.

INSPECCIÓN Y REEMPLAZO

Inspeccione el casco de seguridad, incluyendo la suspensión y el casquete, antes y después de cada uso:

- Revise el casquete del casco de seguridad para detectar grietas, roturas, decoloración o cualquier otro daño, desgaste excesivo o condición inusual. Estas condiciones pueden indicar una reducción en la resistencia al impacto o a la penetración, y el casco debe reemplazarse INMEDIATAMENTE.
- Se debe verificar la suspensión y la correa de barbilla opcional para detectar grietas, roturas, costuras dañadas o cualquier otro daño, desgaste excesivo o condición inusual. Si se presenta alguna de estas condiciones, la suspensión y la correa de barbilla opcional deben reemplazarse INMEDIATAMENTE.
- Utilice siempre piezas de repuesto originales de Klein Tools. Este producto funciona como un sistema, por lo que el uso de accesorios o suspensiones no autorizadas puede reducir la protección provista por este casco de seguridad tipo cachucha.

VIDA ÚTIL

SUSPENSIÓN Y CORREA DE BARBILLA OPCIONAL: deben reemplazarse después de 12 meses de uso.

TODO EL CASCO DE SEGURIDAD: debe reemplazarse después de 2 años de uso, o a los 5 años desde la fecha de fabricación, lo que ocurra primero. Estas son pautas de vida útil. Se DEBEN realizar inspecciones frecuentes como se indica en la sección MANTENIMIENTO de arriba, y puede resultar en un posible reemplazo anticipado.

NOTA: este programa de reemplazo es una pauta que supone condiciones normales de uso y almacenamiento del casco. Si el casco de seguridad está expuesto a temperaturas extremas, luz solar continua o sustancias químicas, puede ser necesario reemplazarlo en un periodo más corto.

GARANTÍA

www.kleintools.com/warranty

ACCESORIOS Y PIEZAS DE REPUESTO

Los accesorios y piezas de repuesto para cascos de seguridad tipo cachucha de Klein Tools están disponibles en línea o con los principales distribuidores:

- **HTSPN:** suspensión repuesto*
- **KHHSWTBND:** banda absorbente de sudor (paquete de 3 unidades)
- **KHHSWTBND2:** banda absorbente de sudor de calidad superior (paquete de 3 unidades)
- **KHHTOPPAD:** almohadilla superior cómoda (paquete de 3 unidades)
- **KHHTOPPAD2:** almohadilla superior cómoda de calidad superior (paquete de 3 unidades)
- **KHHSTRP:** correa de barbilla
- **56048:** luz frontal recargable de apagado automático (luz enfocada/de proyección)
- **56049:** luz frontal con matriz de luz recargable (luz de proyección únicamente)
- **56062:** luz frontal recargable/luz de trabajo (luz enfocada/de proyección)
- **56063:** lámpara de seguridad
- **60155:** ventilador refrescante
- **60156:** luz frontal LED intrínsecamente segura

NOTA: KLEIN TOOLS NO PUEDE GARANTIZAR QUE LOS ACCESORIOS DE TERCEROS FUNCIONEN O SE ADAPTEN DE MANERA ÓPTIMA A LOS CASCOS DE SEGURIDAD DE KLEIN TOOLS.

NOTA: NO TODOS LOS ACCESORIOS QUE SE ADAPTAN A ESTE CASCO DE SEGURIDAD TIPO CACHUCHA SE PUEDEN UTILIZAR EN ENTORNOS DE ALTAS TEMPERATURAS. CONSULTE EL MANUAL DEL USUARIO DEL ACCESORIO PARTICULAR ANTES DE USARLO.

ELIMINACIÓN/RECICLAJE



Deseché el producto de manera responsable. El casquete está hecho de fibra de carbono que no es muy reciclable. Para obtener más información, consulte www.epa.gov/recycle.

DETALLES DE LAS CARACTERÍSTICAS (FIG. A)

- | | |
|---|--|
| 5 Ranuras para accesorios de Klein Tools (60512 y 60514 únicamente, x2) | 13a Soporte de suspensión externo (x4) |
| 6 Ajuste de giro (x2) | 13b Soporte de suspensión central (x2) |
| 7 Perilla para ajustar el tamaño | 13c Lengüeta del puente central (x4) |
| 8 Almohadilla para la nuca | 14 Bloqueo de soporte (x4) |
| 9 Puntos de anclaje de suspensión (x6) | 15 Ranura del bloqueo de soporte (x20) |
| 10 Banda absorbente de sudor lavable | 16 Anclaje de metal (x6) |
| 11 Almohadilla superior cómoda lavable | 17 Remache (x6) |
| 12 Correas de suspensión (x6) | |

AJUSTE (FIG. B)

Todos los cascos de seguridad cuentan con suspensión preinstalada con ajuste de fábrica. La suspensión se puede ajustar para garantizar un ajuste correcto y seguro a su cabeza para máxima protección. Siga los pasos a continuación:

PASO 1: gire la perilla de ajuste de tamaño 7 en sentido contrario a las agujas del reloj para aflojar el ajuste. Coloque la almohadilla posterior para la nuca 8 en la parte posterior de su cabeza, más cerca de la nuca. Los nudos de paliacate o colas de caballo deben ir sobre la almohadilla posterior para la nuca 8.

PASO 2: ajuste girando la perilla para ajustar el tamaño 7 en sentido a las agujas del reloj hasta que el casco tenga un ajuste cómodo y ceñido. Mueva su cabeza hacia arriba, hacia abajo y hacia los lados suavemente, como lo haría normalmente, y asegúrese de que su casco se mantenga ajustado. Asegúrese de que el casco no esté inclinado hacia adelante o hacia atrás, sino que quede nivelado en su cabeza.

AJUSTES

Si el casco no se adapta correctamente al ajuste de fábrica, puede adecuar aún más el ajuste:

PASO 1: separe el soporte de suspensión externo 13a del soporte de suspensión central 13b jalando suavemente del soporte de suspensión externo 13a para liberar la lengüeta del puente central 13c. Haga esto en las cuatro ubicaciones del soporte antes de continuar con el siguiente paso. (FIG. C).

PASO 2: determine a qué ranura del bloqueo de soporte 15 desea volver a calzar. Al usar las ranuras que se encuentran más al interior del casco, desplazará el armés hacia arriba en la cabeza y viceversa. Gire el soporte de suspensión externo 13a aproximadamente 90° para liberar el bloqueo de soporte 14 de la ranura del bloqueo de soporte 15. Inserte el bloqueo de soporte 14 en la ubicación de la nueva ranura y vuelva a girar el soporte de suspensión externo 13a aproximadamente 90° para asegurar. Siempre haga coincidir los ajustes en los lados izquierdo y derecho para evitar que la suspensión permanezca en un ángulo.

PASO 3: asegure el soporte de suspensión externo 13a volviendo a calzar la lengüeta del puente central 13c en un total de cuatro ubicaciones antes de continuar con el siguiente paso.

PASO 4: verifique que el casco se ajusta adecuadamente. Siga los pasos en la sección AJUSTES para asegurar un ajuste adecuado. Asegúrese de que los accesorios que planea usar se adapten y funcionen adecuadamente mientras se mantiene la capacidad del casco para cumplir con su función de manera óptima. Si no está seguro, verifique con un experto en seguridad calificado.

REPUESTO DE SUSPENSIÓN

NOTA: se recomienda que utilice protección para las manos al momento de realizar cualquier acción de esta sección.

PASO 1: separe los soportes de suspensión externos 13a del soporte de suspensión central 13b jalando suavemente de los soportes de suspensión externos 13a para liberar la lengüeta del puente central 13c en un total de cuatro ubicaciones antes de continuar con el siguiente paso. (FIG. C).

PASO 2: coloque sus pulgares debajo de los soportes de suspensión externos 13a y presione hacia arriba. Esto liberará el anclaje de metal 16 del remache 17 en seis ubicaciones (FIG. D). **NO** ejerza presión sobre los anclajes de metal, ya que esto podría causar lesiones o deformar el anclaje.

PASO 3: en la suspensión de repuesto, determine a qué ranura del bloqueo 15 desea volver a calzar. Gire el soporte de suspensión externo 13a aproximadamente 90° para liberar el bloqueo de soporte 14 de la ranura del bloqueo 15. Inserte el bloqueo de soporte 14 en la ubicación de la nueva ranura y vuelva a girar el soporte de suspensión externo 13a aproximadamente 90° para asegurar. Siempre haga coincidir los ajustes en los lados izquierdo y derecho para evitar que la suspensión permanezca en un ángulo.

PASO 4: asegure los soportes de suspensión externos 13a volviendo a calzar las lengüetas del puente central 13c en un total de cuatro ubicaciones antes de continuar con el siguiente paso (FIG. C).

REPUESTO DE SUSPENSIÓN

PASO 5: coloque el (los) anclaje(s) de metal 16 sobre el (los) remache(s) 17 jale suavemente las correas de suspensión 12 hasta que el (los) anclaje(s) de metal 16 estén correctamente asentados. Asegúrese de que los seis anclajes de metal 16 estén correctamente asentados sobre los remaches 17 y todos estén al mismo nivel (FIG. E).

PASO 6: verifique que el casco se ajusta adecuadamente. Siga los pasos en la sección AJUSTES para asegurar un ajuste adecuado. Asegúrese de que los accesorios que planea usar se adapten y funcionen adecuadamente mientras se mantiene la capacidad del casco para cumplir con su función de manera óptima. Si no está seguro, verifique con un experto en seguridad calificado.

NOTA: NO jale de las correas de la suspensión para liberar el anclaje. Esto podría dañar permanentemente los anclajes y las correas, evitando que funcionen de forma prevista.

NOTA: las longitudes de la correa de suspensión son fijas y no se pueden ajustar. NO intente ajustarlas.

BANDA ABSORBENTE DE SUDOR Y ALMOHADILLA SUPERIOR CÓMODA (FIG. F)

Los cascos de seguridad tipo cachucha de Klein Tools cuentan con una banda absorbente de sudor avanzada y una almohadilla superior cómoda diseñada para absorber el sudor. Son lavables a máquina bajo un ciclo de lavado normal. **NO** las lave con blanqueador ni con detergentes que lo contengan. Séquelas a máquina solo a temperatura normal o baja.

La banda absorbente de sudor y la almohadilla superior cómoda se pueden retirar y volver a colocar fácilmente en la suspensión:

- La almohadilla superior cómoda se mantiene en su lugar mediante una sola almohadilla de presilla y gancho 24.
- La banda absorbente de sudor se mantiene en su lugar con cuatro ganchos de suspensión 25 y tres almohadillas de presilla y gancho 24, en el frente y a los lados. Para quitarla, simplemente desprendá todas las almohadillas de presilla y gancho y retire la banda absorbente de sudor de los ganchos de suspensión.

LUZ FRONTAL 56062 (ÚNICAMENTE PARA 60512 Y 60514) (FIG. G).

El accesorio opcional 56062 es una luz frontal recargable diseñada específicamente para los cascos de seguridad tipo cachucha de Klein que cuentan con ranuras integradas para accesorios frontales y posteriores 5. Funciona como luz enfocada o luz de proyección, y cuenta con un imán para sujetarse a superficies magnéticas para su uso como luz de trabajo. El cable de carga está incluido con los modelos que incluyen luz frontal recargable.

- | | |
|------------------------------------|---------------------------|
| 18 Botón de modo/encendido/apagado | 21 Imán |
| 19 Luz enfocada | 22 Soporte giratorio |
| 20 Luces de proyección | 23 Lengüeta de liberación |

La luz frontal 56062 puede ajustarse tanto en la parte frontal como en la parte posterior del casco de seguridad a través de la ranura para accesorios de Klein Tools 5. Puede inclinarse hasta 64° sobre el casco de seguridad, o de forma independiente como luz de trabajo.

Para instalar la luz frontal, alinee el soporte giratorio 22 con la ranura para accesorios de Klein Tools 5 del casco y empuje hacia abajo hasta que se escuche un clic y la luz frontal esté firmemente en su lugar.

Para retirar la luz frontal, presione la lengüeta de liberación 23 hacia adelante, y levante la luz frontal de la ranura para accesorios 5.

ADHESIVOS

⚠ ADVERTENCIA: Klein Tools NO aprueba que los usuarios finales apliquen adhesivos, estampados en caliente, impresiones en tinta o cintas que tengan contenido metálico en este casco de seguridad tipo cachucha. Dichas modificaciones pueden alterar el rendimiento del casco.

CARACTÉRISTIQUES GÉNÉRALES

- **Normes :** Ces casques de chantier de Klein Tools sont conformes aux normes ANSI/ISEA Z89.1-2014 (R2019) et CSA Z94.1-15 (R2020) pour les casques de type I :
- Température élevée nominale testée : 60 °C (140 °F)
- Température basse nominale testée : -30 °C (-22 °F)
- **Matériau :** Fibre de carbone 3K
- **Convient à :** Têtes de taille 6 1/2 à 8 (52 à 64 cm [20 1/2 à 25 po])

SYMBOLES SUR LE PRODUIT

- 1 Renseignements sur la conformité aux normes, la classe, le type et les tailles de tête
- 2 Date de fabrication (année/mois)
- 3a Symbole d'avertissement
- 3b Lire les instructions
- 4a Symbole d'enfilement inverse
- 4b Symbole de température élevée ou basse

ÉTIQUETTES D'AVERTISSEMENT

Deux étiquettes d'avertissement sont fixées à l'intérieur de ce casque de chantier. Veuillez lire, comprendre et suivre ces instructions afin de garantir une utilisation sécuritaire. **NE RETIREZ PAS CES ÉTIQUETTES.**

⚠ AVERTISSEMENTS

VEUILLEZ LIRE TOUTES LES INSTRUCTIONS. LEUR NON-RESPECT RISQUE D'ENTRAÎNER DES BLESSURES CORPORELLES GRAVES OU LA MORT.

- Ce casque de chantier offre une protection LIMITÉE contre les petits objets percutant le dessus du casque.
- **N'EXPOSEZ PAS** la coiffe et le rembourrage à une flamme nue.
- **AVERTISSEMENT DE CHOCS ÉLECTRIQUES :** Évitez les endroits présentant des risques de chocs électriques. Les modèles ventilés de classe C n'offrent **AUCUNE** protection contre les chocs électriques.
- Si le casque de chantier a subi un choc, jetez-le IMMÉDIATEMENT, même si aucun dommage n'est visible.
- **NE MODIFIEZ JAMAIS** ce casque, ne le percez pas et ne gravez rien sur la coquille ou la coiffe.
- **N'UTILISEZ PAS** de peintures, de solvants, de produits chimiques, de vernis, d'huiles, de lubrifiants, d'insectifuges, d'adhésifs, d'essence ou de substances semblables sur ce casque de chantier; vous risqueriez de réduire la protection contre les chocs et la pénétration.
- **N'UTILISEZ PAS** ce casque de chantier en guise de protection à bord d'un véhicule ou pour pratiquer un sport.
- **N'INSÉREZ PAS** d'objets entre la coiffe et la coquille, ce qui nuirait au fonctionnement du casque de chantier et réduirait la protection contre les chocs et la pénétration.

ENTRETIEN

NETTOYAGE ET ENTREPOSAGE DU CASQUE DE CHANTIER

- Nettoyez uniquement le casque de chantier et la coiffe avec de l'eau et un savon doux. Rincez-le et essuyez-le. Nettoyez uniquement la mentonnière (optionnelle) avec un chiffon humide. Entreposez le casque dans un endroit frais.
 - Consultez la section BANDEAU ANTISUDATION ET COUSSINET DE CONFORT des instructions d'utilisation (au verso) pour en savoir plus sur l'entretien.
- ### INSPECTION ET REMPLACEMENT
- Inspectez le casque de chantier, y compris sa coiffe et sa coquille, avant et après chaque utilisation :
- Examinez la coquille pour y déceler des signes de fissures, de ruptures, de décoloration ou tout autre signe de dommage, d'usure excessive ou d'état inhabituel. Un casque présentant de tels signes est potentiellement moins résistant aux chocs ou à la pénétration et doit être remplacé IMMÉDIATEMENT.
 - La coiffe et la mentonnière (optionnelle) doivent être examinées pour y déceler des signes de fissures, de ruptures ou de coupures endommagées et tout autre signe de dommage, d'usure excessive ou d'état inhabituel. Si de tels signes sont présents, la coiffe et la mentonnière (optionnelle) doivent être remplacées IMMÉDIATEMENT.
 - Utilisez toujours des pièces de rechange Klein Tools authentiques. Ce produit fonctionne comme un tout : l'utilisation d'une coiffe ou d'accessoires non autorisés risque de réduire la protection offerte par le casque.

DURÉE DE VIE UTILE

COIFFE ET MENTONNIÈRE (OPTIONNELLE) : À remplacer après un maximum de 12 mois d'utilisation.

CASQUE ENTIER : Le casque de chantier en entier doit être remplacé après 2 ans d'utilisation ou un maximum de 5 ans après sa date de fabrication, le premier des deux prévalant.

Ces directives indiquent les durées de vie utile. Vous DEVEZ également réaliser une inspection régulière du produit, conformément aux instructions de la section ENTRETIEN, qui pourrait mener à un remplacement précoce du produit.

REMARQUE : Ces délais pour le remplacement tiennent compte d'une utilisation et d'un entreposage normaux. Si le casque est exposé à des températures extrêmes, à un ensoleillement constant ou à des produits chimiques, un remplacement précoce pourrait être nécessaire.

GARANTIE

www.kleintools.com/warranty

ACCESSOIRES ET PIÈCES DE RECHANGE

Des accessoires et des pièces de rechange de casques de chantier sont offerts en ligne et auprès des principaux distributeurs :

- **HTSPN :** Coiffe de rechange*
- **KHHSWTBND :** Bandeaux antisudation (pqt de 3)
- **KHHSWTBND2 :** Bandeaux antisudation de qualité supérieure (pqt de 3)
- **KHHTOPPAD :** Coussinets de confort (pqt de 3)
- **KHHTOPPAD2 :** Coussinets de confort de qualité supérieure (pqt de 3)
- **KHHSTRP :** Mentonnière
- **56048 :** Lampe frontale rechargeable à arrêt automatique (faisceau concentré, éclairage général)
- **56049 :** Lampe frontale rechargeable à large spectre (éclairage général seulement)
- **56062 :** Lampe frontale/lampe de travail rechargeable (faisceau concentré, éclairage général)
- **56063 :** Lampe de sécurité
- **60155 :** Ventilateur de refroidissement
- **60156 :** Lampe frontale à DEL à sécurité intrinsèque

* Utilisez uniquement la coiffe HTSPN avec les casques de chantier résistants aux températures élevées.

REMARQUE : KLEIN TOOLS NE PEUT GARANTIR LE FONCTIONNEMENT ET LA COMPATIBILITÉ DES ACCESSOIRES DE TIERS UTILISÉS AVEC SES CASQUES DE CHANTIER.

REMARQUE : LES ACCESSOIRES QUI SE FIXENT À CE CASQUE DE CHANTIER NE SONT PAS TOUS COMPATIBLES AVEC LES ENVIRONNEMENTS À TEMPÉRATURE ÉLEVÉE. CONSULTEZ LE MANUEL D'UTILISATION DE L'ACCESSOIRE EN QUESTION AVANT DE L'UTILISER.

MISE AU REBUT/RECYCLAGE

⚠ Veuillez mettre le casque de chantier au rebut de manière responsable. La coquille est faite de fibre de carbone qui n'est pas recyclable partout. Pour de plus amples renseignements, consultez le site www.epa.gov/recycle.

CARACTÉRISTIQUES DÉTAILLÉES (FIG. A)

- | | |
|--|---|
| Fentes pour accessoires | |
| 5 Klein Tools (60512 et 60514 seulement, x2) | 13a Support de coiffe extérieur (x4) |
| 6 Ajustement du pivot (x2) | 13b Supports de coiffe centraux (x2) |
| 7 Bouton d'ajustement de la taille | 13c Pattes d'attache centrales (x4) |
| 8 Coussinet cervical arrière | 14 Ancrages du support (x4) |
| 9 Points d'ancrage de la coiffe (x8) | 15 Fentes pour l'ancrage du support (x20) |
| 10 Bandeau antisudation lavable | 16 Ancrage métallique (x6) |
| 11 Coussinet de confort lavable | 17 Rivet (x6) |
| 12 Sangles de coiffe (x6) | |

ESSAYAGE (FIG. B)

Tous les casques de chantier sont équipés d'une coiffe préinstallée réglée en usine. La coiffe peut être ajustée à votre tête pour offrir une protection optimale. Suivez les étapes suivantes :

ÉTAPE 1 : Tournez le bouton d'ajustement de la taille 7 en sens antihoraire pour desserrer la coiffe. Placez le coussin cervical arrière 8 à l'arrière de votre tête, puis près du cou. Le cas échéant, placez votre nœud de foulard ou votre queue de cheval par-dessus le coussin cervical arrière 8.

ÉTAPE 2 : Resserrez la coiffe en tournant le bouton d'ajustement de la taille 7 en sens horaire jusqu'à ce que le casque de chantier tienne fermement et confortablement. Bougez votre tête doucement, de haut en bas et de gauche à droite, comme vous le feriez normalement, pour vous assurer que le casque reste bien en place. Assurez-vous que le casque est bien droit par rapport à votre tête, c'est-à-dire qu'il n'est pas penché vers l'avant ni vers l'arrière.

AJUSTEMENTS

Si les réglages en usine du casque de chantier ne conviennent pas, vous pouvez les ajuster.

ÉTAPE 1 : Pour retirer un support de coiffe extérieur 13a d'un support de coiffe central 13b, tirez doucement sur le support de coiffe extérieur 13a pour dégager la patte d'attache centrale 13c. Répétez cette étape pour les quatre supports avant de passer à l'étape suivante (FIG. C).

ÉTAPE 2 : Choisissez la fente pour l'ancrage de support 15 que vous souhaitez maintenant utiliser. En optant pour une fente se trouvant plus près du fond du casque, la coiffe remonte, et vice-versa. Tournez le support de coiffe extérieur 13a d'environ 90° pour dégager l'ancrage du support 14 de la fente pour l'ancrage 15. Insérez l'ancrage du support 14 dans la nouvelle fente et faites pivoter le support de coiffe extérieur 13a d'environ 90° dans le sens contraire pour le fixer. Effectuez toujours les mêmes réglages sur la droite et la gauche du casque pour éviter que la coiffe ne penche sur un côté.

ÉTAPE 3 : Avant de passer à l'étape suivante, fixez le support de coiffe extérieur 13a en appuyant sur la patte d'attache centrale 13c pour qu'elle s'enclenche aux quatre endroits.

ÉTAPE 4 : Assurez-vous que le casque est bien ajusté. Suivez les étapes décrites à la section ESSAYAGE pour vous assurer que l'ajustement est adéquat. Assurez-vous que les accessoires que vous comptez ajouter fonctionnent et s'ajustent adéquatement, et qu'ils ne nuisent pas au fonctionnement optimal du casque. Dans le doute, consultez un expert qualifié en matière de sécurité.

REMPLACEMENT DE LA COIFFE

REMARQUE : Il est recommandé de porter des gants de protection pour effectuer les étapes de cette section.

ÉTAPE 1 : Pour retirer les supports de coiffe extérieurs 13a des supports de coiffe centraux 13b, tirez doucement sur les supports de coiffe extérieurs 13a pour dégager les pattes d'attache centrales 13c. Répétez cette étape pour les quatre supports avant de passer à l'étape suivante (FIG. C).

ÉTAPE 2 : Placez vos pouces sous les supports de coiffe extérieurs 13a et poussez-les vers le haut. Cela permettra de libérer les ancrages métalliques 16 des rivets 17 aux six endroits (FIG. D). **NE PUSSEZ PAS** sur les ancrages métalliques, car vous pourriez les déformer ou vous blesser.

ÉTAPE 3 : En examinant la coiffe de rechange, choisissez quelle fente 15 vous souhaitez utiliser. Tournez le support de coiffe extérieur 13a d'environ 90° pour dégager l'ancrage du support 14 de la fente 15. Insérez l'ancrage du support 14 dans la nouvelle fente et faites pivoter le support de coiffe extérieur 13a d'environ 90° dans le sens contraire pour le fixer. Effectuez toujours les mêmes réglages sur la droite et la gauche du casque pour éviter que la coiffe ne penche sur un côté.

ÉTAPE 4 : Avant de passer à l'étape suivante, fixez les supports de coiffe extérieurs 13a en appuyant sur les pattes d'attache centrales 13c pour qu'elles s'enclenchent aux quatre endroits (FIG. C).

ÉTAPE 5 : Positionnez les ancrages métalliques 16 au-dessus des rivets 17, puis tirez doucement sur les sangles de coiffe 12 jusqu'à ce que les ancrages 16 soient bien en place. Assurez-vous que les six ancrages métalliques 16 sont correctement installés sur les rivets 17 et sont tous au même niveau (FIG. E).

ÉTAPE 6 : Assurez-vous que le casque est bien ajusté. Suivez les étapes décrites à la section ESSAYAGE pour vous assurer que l'ajustement est adéquat. Assurez-vous que les accessoires que vous comptez ajouter fonctionnent et s'ajustent adéquatement, et qu'ils ne nuisent pas au fonctionnement optimal du casque. Dans le doute, consultez un expert qualifié en matière de sécurité.

REMARQUE : NE TIREZ PAS sur les sangles de coiffe pour libérer l'ancrage. Vous pourriez endommager les ancrages et les sangles de façon permanente, ce qui nuirait à leur fonctionnement normal.

REMARQUE : La longueur des sangles de coiffe est fixe et ne peut être réglée. NE TENTEZ PAS de la modifier.

BANDEAU ANTISUDATION ET COUSSINET DE CONFORT (FIG. F)

Les casques de chantier de Klein Tools sont munis d'un bandeau antisudation et d'un coussinet de confort conçus pour absorber la sueur. Paux-ci sont lavables à la machine à cycle normal. NE LES LAVEZ PAS avec de l'eau de javel ou un détergent contenant du javellissant. Séchez à la machine en utilisant uniquement un réglage normal ou à basse température.

Le bandeau antisudation et le coussinet de confort peuvent être retirés et réinstallés facilement sur la coiffe :

- Le coussinet de confort est maintenu en place par un seul coussinet autoagrippant 24.
- Le bandeau antisudation est maintenu en place par quatre crochets 25 et trois coussinets autoagrippants 24, situés sur les côtés et à l'avant du bandeau. Pour retirer le bandeau antisudation, détachez simplement les coussinets autoagrippants et glissez le bandeau hors des crochets.

LAMPE FRONTALE 56062 (60512 ET 60514 SEULEMENT) (FIG. G)

La lampe frontale rechargeable 56062 (optionnelle) a été spécialement conçue pour les casques de chantier Klein munis de fentes intégrées avant et arrière pour les accessoires 5. Elle projette un faisceau concentré ou un éclairage général et est munie d'un aimant qui permet de la fixer aux surfaces magnétiques pour la transformer en lampe de travail. Le câble de rechange est inclus avec les modèles équipés d'une lampe frontale rechargeable.

- | | |
|-----------------------------|----------------------------|
| 18 Bouton marche/arrêt/mode | 21 Aimant |
| 19 Faisceau concentré | 22 Fixation pivotante |
| 20 Éclairage général | 23 Languette de dégagement |

La lampe frontale 56062 peut être fixée à l'avant ou à l'arrière du casque de chantier grâce à la fente pour accessoires 5 de Klein Tools. Elle peut être inclinée jusqu'à 64° sur le casque et servir séparément comme lampe de travail.

Pour installer la lampe frontale, alignez la fixation pivotante 22 avec la fente pour accessoires 5 de Klein Tools située sur le casque et poussez jusqu'à ce qu'un clic se fasse entendre.

Pour retirer la lampe frontale, poussez sur la languette de dégagement 23, puis dégagez la lampe frontale de la fente pour accessoires 5.

AUTOCOLLANTS

⚠ **AVERTISSEMENT : Klein Tools N'APPROUVE PAS l'application d'autocollants, de marquages à chaud, d'encres ou de feuilles métalliques sur ce casque de chantier par les utilisateurs finaux. De telles modifications peuvent influencer l'efficacité du casque de chantier.**