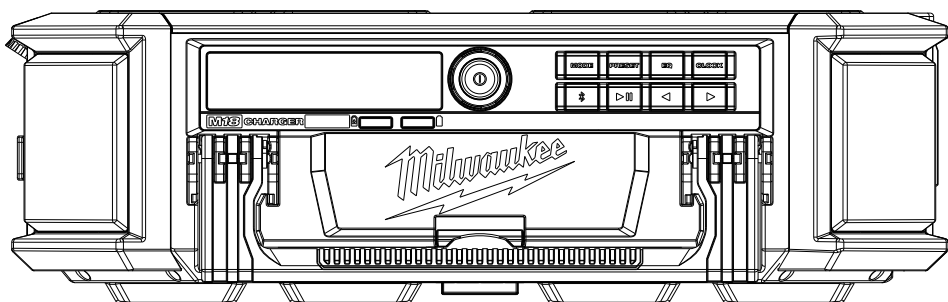




OPERATOR'S MANUAL
MANUEL de L'UTILISATEUR
MANUAL del OPERADOR



Cat. No. / No de cat.
2950-20

M18™ PACKOUT™ RADIO + CHARGER
M18™ PACKOUT™ RADIO + CHARGEUR
M18™ PACKOUT™ RADIO + CARGADOR



WARNING To reduce the risk of injury, user must read and understand operator's manual.

AVERTISSEMENT Afin de réduire le risque de blessures, l'utilisateur doit lire et bien comprendre le manuel.

ADVERTENCIA Para reducir el riesgo de lesiones, el usuario debe leer y entender el manual.

IMPORTANT SAFETY INSTRUCTIONS

RADIO SAFETY

⚠WARNING

- 1) Read these instructions.
- 2) Keep these instructions.
- 3) Heed all warnings.
- 4) Follow all instructions.
- 5) Do not use this apparatus near water.
- 6) Clean only with dry cloth.
- 7) Do not block any ventilation openings. Install in accordance with the manufacturer's instructions.
- 8) Do not install near any heat sources such as radiators, heat registers, stoves, or other apparatus (including amplifiers that produce heat.)
- 9) Do not defeat the safety purpose of the polarized or grounding-type plug. A polarized plug has two blades with one wider than the other. A grounding type plug has two blades and a third grounding prong. The wide blade or the third prong are provided for your safety. If the provided plug does not fit into your outlet, consult an electrician for replacement of the obsolete outlet.
- 10) Protect the power cord from being walked on or pinched particularly at plugs, convenience receptacles, and the point where they exit from the apparatus.
- 11) Only use attachments/accessories specified by the manufacturer.
- 12) Use only with the cart, stand, tripod, bracket, or table specified by the manufacturer, or sold with the apparatus. When a cart is used, use caution when moving the cart/apparatus combination to avoid injury from tip-over.
- 13) Unplug this apparatus during lightning storms or when unused for long periods of time.
- 14) Refer all servicing to qualified service personnel. Servicing is required when the apparatus has been damaged in any way, such as power-supply cord or plug is damaged, liquid has been spilled or objects have fallen into the apparatus, the apparatus has been exposed to rain or moisture, does not operate normally, has been dropped, or is missing battery doors.
- 15) **⚠WARNING** To reduce the risk of fire or electric shock, do not expose this apparatus to rain or moisture. Do not place open flames or candles near or on the radio.
- 16) Only plug power supply into readily accessible outlet to allow the appliance to be unplugged quickly.
- 17) Only operate this apparatus in a well-ventilated area.
- 18) A battery operated radio with integral batteries or a separate battery pack must be recharged only with the specified charger for the battery. A charger that may be suitable for one type of battery may create a risk of fire when used with another battery.
- 19) Use battery operated radio only with specifically designated battery packs. Use of any other batteries may create a risk of fire.
- 20) When battery pack is not in use, keep it away from other metal objects like: paper clips, coins, keys, nails, screws, or other small metal objects that can make a connection from one terminal to another. Shorting the battery terminals together may cause sparks, burns, or a fire.
- 21) Avoid body contact with grounded surfaces such as pipes, radiators, ranges and refrigera-

tors. There is an increased risk of electric shock if your body is grounded.

- 22) Do not use any adaptor plugs.
- 23) When operating a radio outside, use an outdoor extension cord marked "W-A" or "W". These cords are rated for outdoor use and reduce the risk of electric shock.
- 24) Never disassemble the radio or try to do any rewiring on the radio's electrical system.
- 25) Do not expose this apparatus to dripping and splashing, or place objects filled with liquids on this unit.
- 26) Maintain labels and nameplates. These carry important information. If unreadable or missing, contact a MILWAUKEE service facility for a free replacement.
- 27) This radio + charger is designed to be powered by a standard 120 volt AC line or AC generator. The radio can also be powered using a MILWAUKEE M18™ Li-Ion battery pack. Radio + charger must be plugged into an appropriate receptacle. Do not attempt to use with any other voltage or power supply.

CHARGER SAFETY

- 28) SAVE THESE INSTRUCTIONS - THIS OPERATOR'S MANUAL CONTAINS IMPORTANT SAFETY AND OPERATING INSTRUCTIONS FOR MILWAUKEE LI-ION M18™ RADIO + CHARGER.
- 29) BEFORE USING, READ THIS OPERATOR'S MANUAL, YOUR BATTERY PACK OPERATOR'S MANUAL, AND ALL LABELS ON THE BATTERY PACK AND RADIO + CHARGER.
- 30) CAUTION - TO REDUCE THE RISK OF INJURY, CHARGE MILWAUKEE LI-ION PACKS ONLY IN THEIR MILWAUKEE LI-ION CHARGER. Other types of chargers may cause personal injury or damage. Battery pack and charger are not compatible with V™-technology or NiCd systems. Do not wire a battery pack to a power supply plug or car cigarette lighter. Battery packs will be permanently disabled or damaged.
- 31) AVOID DANGEROUS ENVIRONMENTS. Do not charge battery pack in rain, snow, damp or wet locations. Do not use battery pack or charger in the presence of explosive atmospheres (gaseous fumes, dust or flammable materials) because sparks may be generated when inserting or removing battery pack, possibly causing fire.
- 32) CHARGE IN A WELL VENTILATED AREA. Do not block charger vents. Keep them clear to allow proper ventilation. Do not allow smoking or open flames near a charging battery pack. Vented gases may explode.
- 33) MAINTAIN CHARGER CORD. When unplugging charger, pull plug rather than cord to reduce the risk of damage to the electrical plug and cord. Never carry charger by its cord. Keep cord from heat, oil and sharp edges. Make sure cord will not be stepped on, tripped over or subjected to damage or stress. Do not use charger with damaged cord or plug. Have a damaged charger replaced immediately.
- 34) DO NOT SHORT CIRCUIT. A short circuited battery pack may cause fire, personal injury, and product damage. A battery pack will short circuit if a metal object makes a connection between the positive and negative contacts on the battery pack.

EXTENSION CORDS

Do not place a battery pack near anything that may cause a short circuit, such as coins, keys or nails in your pocket.

- 35) **DO NOT ALLOW FLUIDS TO FLOW INTO BATTERY PACK.** Corrosive or conductive fluids, such as seawater, certain industrial chemicals, and bleach or bleach containing products, etc., can cause a short circuit.
- 36) **DO NOT USE AN EXTENSION CORD UNLESS IT IS ABSOLUTELY NECESSARY.** Using the wrong, damaged or improperly wired extension cord could result in the risk of fire and electrical shock. If an extension cord must be used, plug the charger into a properly wired 16 gauge or larger extension cord with pins that are the same number, size and shape as the pins on the charger. Make sure that the extension cord is in good electrical condition.
- 37) **USE ONLY RECOMMENDED ATTACHMENTS.** Use of an attachment not recommended or sold by the battery charger or battery pack manufacturer may result in a risk of fire, electric shock or personal injury.
- 38) **UNPLUG CHARGER** when not in use. Remove battery packs from unplugged chargers.
- 39) **TO REDUCE THE RISK OF ELECTRIC SHOCK,** always unplug charger before cleaning or maintenance. Use a Ground Fault Circuit Interrupter (GFCI) to reduce shock hazards.
- 40) **STORE YOUR BATTERY PACK AND CHARGER** in a cool, dry place. Do not store battery pack where temperatures may exceed 120°F (50°C) such as in direct sunlight, a vehicle or metal building during the summer.

Double insulated tools can use either a two or three wire extension cord. As the distance from the supply outlet increases, you must use a heavier gauge extension cord. Using extension cords with inadequately sized wire causes a serious drop in voltage, resulting in loss of power and possible tool damage. Refer to the table shown to determine the required minimum wire size.

The smaller the gauge number of the wire, the greater the capacity of the cord. For example, a 14 gauge cord can carry a higher current than a 16 gauge cord. When using more than one extension cord to make up the total length, be sure each cord contains at least the minimum wire size required. If you are using one extension cord for more than one tool, add the nameplate amperes and use the sum to determine the required minimum wire size.

Guidelines for Using Extension Cords

- If you are using an extension cord outdoors, be sure it is marked with the suffix "W-A" ("W" in Canada) to indicate that it is acceptable for outdoor use.
- Be sure your extension cord is properly wired and in good electrical condition. Always replace a damaged extension cord or have it repaired by a qualified person before using it.
- Protect your extension cords from sharp objects, excessive heat and damp or wet areas.
- Unplug all cords during lightning storms or when unused for long periods of time.

Recommended Minimum Wire Gauge For Extension Cords*

Nameplate Amps	Extension Cord Length				
	25'	50'	75'	100'	150'
0 - 2.0	18	18	18	18	16
2.1 - 3.4	18	18	18	16	14
3.5 - 5.0	18	18	16	14	12
5.1 - 7.0	18	16	14	12	12
7.1 - 12.0	16	14	12	10	--
12.1 - 16.0	14	12	10	--	--
16.1 - 20.0	12	10	--	--	--

* Based on limiting the line voltage drop to five volts at 150% of the rated amperes.

Federal Communications Commission



Changes or modifications to this unit not expressly approved by the party responsible for compliance could void the user's authority to operate the equipment.

This equipment has been tested and found to comply with the limits for a Class B digital device, pursuant to Part 15 of the FCC Rules. These limits are designed to provide reasonable protection against harmful interference in a residential installation. This equipment generates, uses and can radiate radio frequency energy and, if not installed and used in accordance with the instructions, may cause harmful interference to radio communications. However, there is no guarantee that interference will not occur in a particular installation. If this equipment does cause harmful interference to radio or television reception, which can be determined by turning the equipment off and on, the user is encouraged to try to correct the interference by one or more of the following measures:

- Reorient or relocate the receiving antenna.
- Increase the separation between the equipment and receiver.
- Connect the equipment into an outlet on a circuit different from that to which the receiver is connected.
- Consult the dealer or an experienced radio/TV technician for help.

CAUTION

RISK OF ELECTRIC SHOCK

DO NOT OPEN

CAUTION: TO REDUCE THE RISK OF ELECTRIC SHOCK, DO NOT REMOVE COVER (OR BACK). NO USER-SERVICEABLE PARTS INSIDE. REFER SERVICING TO QUALIFIED SERVICE PERSONNEL.

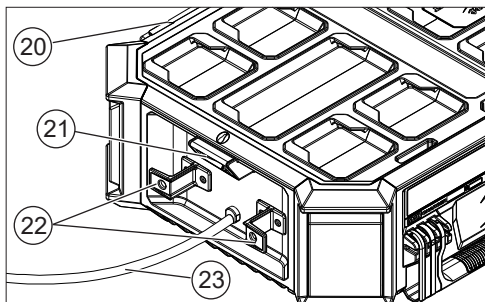
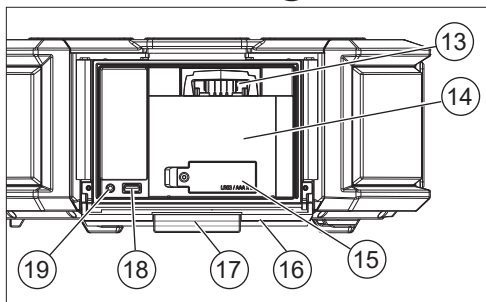
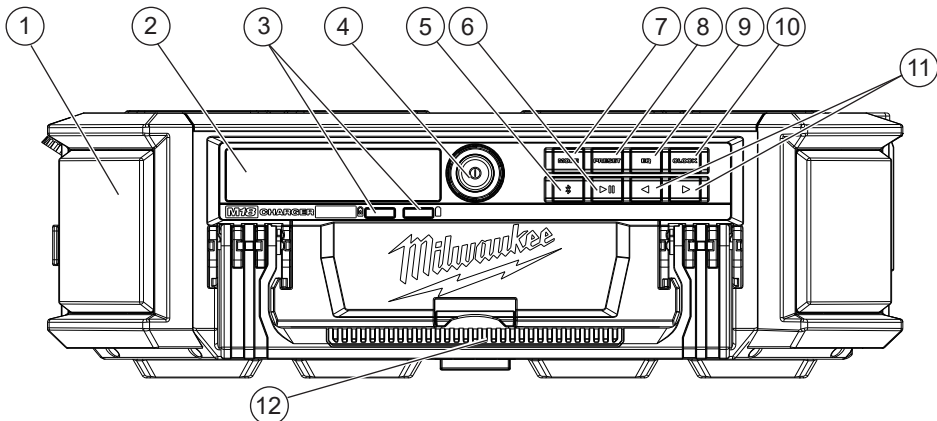


The lightning flash with arrowhead symbol, within an equilateral triangle, is intended to alert the user to the presence of uninsulated "dangerous voltage" within the product's enclosure that may be of sufficient magnitude to constitute a risk of electric shock to persons.



The exclamation point within an equilateral triangle is intended to alert the user to the presence of important operating and maintenance (servicing) instructions in the literature accompanying the appliance.

FUNCTIONAL DESCRIPTION



1. Speakers (4 corners & back)

2. Display

3. Charger indicators*

4. On/Off/Volume control

5. Bluetooth button

6. Play/Pause button

7. MODE button

8. PRESET button

9. EQ button

10. CLOCK button

11. Seek/adjust buttons

12. Handle

13. Charging contacts

14. Battery bay

15. Backup-battery compartment

16. Battery bay/auxiliary compartment cover

17. Battery bay/auxiliary compartment latch

18. USB power outlet

19. Stereo AUX jack

20. Antenna


21. Bottle opener

22. Cord wrap


23. Cord


* Charger Indicators

When a battery pack is inserted into the charger, the LEDs will indicate the following:

 Continuous red: Charging

 Continuous green light: Charging is complete

 Flashing red: Battery is too hot/cold
Charging will begin when battery reaches correct charging temperature

 Flashing red/green: Damaged or faulty battery pack

SYMBOLGY


 Volts

 Direct Current

 Alternating Current

 Amps

 Hertz

 Double Insulated. Tool does not require grounding.



Presence of important operating instructions.



CAUTION Risk of electric shock.



Federal Communications Commission



UL Listing for Canada and U.S.

GROUNDING

Double Insulated Radios: Radios with Two Prong Plugs

Radios marked "Double Insulated" do not require grounding. They have a special double insulation system which satisfies OSHA requirements and complies with the applicable standards of Underwriters Laboratories, Inc., the Canadian Standard Association and the National Electrical Code. Double Insulated radios may be used in either of the 120 volt outlets shown in Figures A and B.

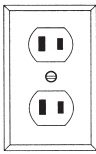


Fig. A

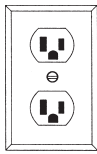


Fig. B

SPECIFICATIONS

Cat. No.....	2950-20
Input Volts.....	120 AC
Input Amps.....	1.8 AC
Output Volts.....	18 DC
Output Amps.....	3.5 DC
Battery Type.....	M18™
Charger Type.....	M18™
Recommended Operating Temperature *	
Battery and Charger ..	40°F to 104°F (5°C to 40°C)
Battery and Tool.....	14°F to 104°F (-10°C to 40°C)

*Radio can be used in tropical or temperate climates

RADIO ASSEMBLY

WARNING Recharge only with the charger specified for the battery. For specific charging instructions, read the operator's manual supplied with your charger and battery.


Power

The MILWAUKEE M18™ Radio + Charger can be powered by MILWAUKEE M18™ Li-Ion battery packs or a standard wall outlet. When plugged into a wall outlet, the battery bay will charge MILWAUKEE M18™ Li-Ion battery packs (see Charger Operation).

Inserting/Removing Battery Pack

1. Open the battery bay cover.
2. To **insert** the battery pack, slide it into the battery bay.
3. To **remove** the battery pack, pull the battery pack off of the bay.
4. Always close the battery bay cover when the bay is not in use.

Low Battery Indicator

When the radio is powered by a battery pack and its charge falls below 10%, the low battery indicator  is displayed.

Battery Pack Protection

To protect the life of the battery pack, the radio will shut off when the battery's charge becomes too low. If this happens, plug radio + charger into a 120V outlet and charge the battery pack according to Charger Operation.

Installing an Auxiliary Device

Open the auxiliary compartment to connect an MP3 player, CD player, or other audio device using the stereo auxiliary jack. Small devices can be stored in the compartment during use.

USB Power Outlet

This outlet can be used to charge a cell phone, power an MP3 player or any other device that uses less than 2.1A of DC electrical current.

NOTE: Any device that uses more than 2.1 A of DC electrical current will trip a self-resetting overload and disable the output.

RADIO OPERATION

WARNING Always remove battery pack before changing or removing accessories. Only use accessories specifically recommended for this radio. Others may be hazardous. To reduce the risk of fire or electric shock, do not expose this radio to rain or moisture.

① Turning On/Off and Controlling Volume

Plug the cord into an appropriate AC outlet or install a battery pack.

Press and hold the On/Off/Volume control button ① until the radio turns on or off. The radio station (frequency) is displayed. To display the time, press the CLOCK button. Volume is restored to the last setting. **NOTE:** When the Radio + Charger is running on battery power, the display will dim after 5 minutes to reduce power use.

Rotate the On/Off/Volume control button ① to increase or decrease the volume.

Setting the Clock

1. Press and hold the CLOCK button until the hour begins to flash.
2. Use the ◀ and ▶ buttons to change the hour.
3. Press the CLOCK button again. The minutes will begin to flash. Use the ◀ and ▶ buttons to change the minutes.
4. Press the CLOCK button again to save.

EQ Adjustment

To manually adjust the Bass/Treble sound, press the EQ button. Set the bass sound by rotating the On/Off/Volume control button ①. Press the EQ button again to set the treble sound by rotating the On/Off/Volume control button ①.

Selecting Band

Push the MODE button to select Bluetooth, FM, AM, or AUX.

Tuning and Seeking

Press the ◀ and ▶ buttons to move up and down the band. Press, hold, and release the ◀ and ▶ buttons to SEEK through the band. When a station is found, the SEEK will stop.

PRESET Stations

To **set** the PRESET stations:

1. Tune to desired station.
2. Press and hold the PRESET button until the PRESET indicator on the display begins to flash.
3. Use the ◀ and ▶ buttons to select the PRESET location for the station. Nine locations (1-9) are available for both AM and FM.
4. Press the PRESET button to save the location.

To **tune** to a PRESET station:

Press and release the PRESET button to step through the PRESET stations.

Using the Stereo AUX Jack

1. Open the Auxiliary Compartment
2. Plug the auxiliary device into the Stereo AUX jack.
3. Use the MODE button to select AUX.
4. Start the auxiliary device.

✂ Using Bluetooth

To enter the Bluetooth mode, press the ✂ button, or press the MODE button to cycle through to Bluetooth.

Pairing

- If no Bluetooth device is connected, Bluetooth pairing will begin automatically and the ✂ icon will flash on the display.
- The radio will continue to search for a signal for 3 minutes.
- To manually pair a device, press and hold bluetooth button until the ✂ begins to fast flash.
- While the ✂ is flashing, select "M18 PACKOUT RADIO" on the Bluetooth capable device.
- Once the device has successfully paired with the radio, the ✂ will be shown on the radio's display.

Connecting

To enter the Bluetooth mode, press the ✂ button, or press the MODE button to cycle through to Bluetooth. When the radio locates a paired Bluetooth device, the ✂ will stop flashing. If connection is lost between the radio and the Bluetooth device, the radio will try to reconnect automatically for up to 3 minutes.

Controlling

When streaming music through to the radio via a Bluetooth device, use the ►|| button to start and pause the music. Use the ◀ and ▶ to move through the tracks.

CHARGER OPERATION

⚠WARNING Charge only MILWAUKEE M18™ Lithium-Ion battery packs in the MILWAUKEE Li-Ion Battery Charger. Other types of batteries may cause personal injury and damage. Battery pack and charger are not compatible with V™-technology or NiCd systems.

When to Charge MILWAUKEE Li-Ion Battery Packs

Remove the battery pack from the tool for charging when convenient for you and your job. MILWAUKEE batteries do not develop a "memory" when charged after only a partial discharge. It is not necessary to run down the battery pack before placing it on the charger.

- Use the Fuel Gauge to determine when to charge your MILWAUKEE Li-Ion battery pack.
- You can "Top-Off" your battery pack's charge before starting a big job or long day of use.

How to Charge the Battery Pack

Plug the Radio + Charger into a 120V outlet. The battery packs will not charge if the Radio + Charger is not plugged in. Place the battery pack onto the bay by sliding the pack on from the top of the bay. The red light will turn on, either flashing (pack is too hot or cold) or continuous (pack is charging).

- A fully discharged battery pack with an internal temperature in the normal range will charge in about 30 to 185 minutes, depending on the battery pack.
- Heavily cycled batteries may take longer to charge completely.
- The Fuel Gauge lights on the battery pack are displayed as the pack is being charged, indicating how fully charged the pack is.
- After charging is complete, the continuous green light will turn on and the fuel gauge will turn off.
- The charger will keep the battery pack fully charged if it is left on the charger.

- If the light indicator flashes red and green, check that the battery pack is fully seated into the bay. Remove the pack and reinsert. If the problem persists, contact a MILWAUKEE service facility.
- If the light indicator does not come on, check that the battery pack is fully seated into the bay. Remove the pack and reinsert. If the light indicator still does not come on, contact a MILWAUKEE service facility.

Charging a Hot or Cold Battery Pack

The Red Flashing Indicator light on the charger indicates that the battery pack temperature is outside the charging range. Once the battery pack is within the acceptable range, normal charging will take place and the red light will be continuous. Hot or cold batteries may take longer to charge.

Li-Ion Charging Status

Battery Pack Temperature	Red Charger Indicator Light	Charging Status
Too Hot	Fast Flashing	Not charging
Normal Range	Continuous	Normal charging
Too Cold	Fast Flashing	Not charging

MAINTENANCE

⚠WARNING To reduce the risk of injury, always unplug the charger and remove the battery pack from the charger or tool before performing any maintenance. Never disassemble the tool, battery pack or charger. Contact a MILWAUKEE service facility for ALL repairs.

Maintenance and Storage

Store your charger in a cool, dry place. As a general practice, it is best to unplug battery chargers and remove battery packs when not in use. No battery pack damage will occur, however, if the charger and battery pack are left plugged in.

Changing Back-up Batteries

⚠WARNING Batteries may leak chemicals or may explode if used incorrectly. The following care should be taken to prevent such an incident:

- Make sure the positive (+) and negative (-) battery terminals are positioned correctly.
 - Do not mix new and old batteries together, or mix different types of batteries.
 - Do not try to recharge non-rechargeable batteries.
- If chemicals from the batteries come in contact with your skin, wash them off immediately with water. If chemicals leak onto the radio, clean the radio completely.

Choking hazard. Keep batteries away from children.

To hold station presets and clock time when the battery pack is removed and the radio is unplugged, (2) AAA batteries are required.

1. Remove battery pack and unplug radio.
2. Remove the screw and battery cover.
3. Insert two (2) AAA batteries according to matching positive (+) and negative (-) marks.
4. Replace the battery cover and screw.
5. Always dispose of used batteries properly.

WARNING To reduce the risk of fire, personal injury, and product damage due to a short circuit, never immerse your tool, battery pack or charger in fluid or allow a fluid to flow inside them. Corrosive or conductive fluids, such as seawater, certain industrial chemicals, and bleach or bleach containing products, etc., can cause a short circuit.

Cleaning

Clean out dust and debris from charger vents and electrical contacts by blowing with compressed air. Use only mild soap and a damp cloth to clean the battery pack and charger, keeping away from all electrical contacts. Certain cleaning agents and solvents are harmful to plastics and other insulated parts. Some of these include gasoline, turpentine, lacquer thinner, paint thinner, chlorinated cleaning solvents, ammonia and household detergents containing ammonia. Never use flammable or combustible solvents around battery packs, charger, or tools.

Repairs

For repairs, return the tool, battery pack and charger to the nearest service center.

ACCESSORIES

WARNING Use only recommended accessories. Others may be hazardous.

For a complete listing of accessories, go online to www.milwaukeekeetool.com or contact a distributor.

SERVICE - UNITED STATES

1-800-SAWDUST (1.800.729.3878)

Monday-Friday, 7:00 AM - 6:30 PM CST

or visit www.milwaukeekeetool.com

Contact Corporate After Sales Service Technical Support with technical, service/repair, or warranty questions.

Email: metproductsupport@milwaukeekeetool.com

Become a Heavy Duty Club Member at www.milwaukeekeetool.com to receive important notifications regarding your tool purchases.

SERVICE - CANADA

Milwaukee Tool (Canada) Ltd

1.800.268.4015

Monday-Friday, 7:00 AM - 4:30 PM CST

or visit www.milwaukeekeetool.ca

LIMITED WARRANTY USA & CANADA

Every MILWAUKEE power tool* (see exceptions below) is warranted to the original purchaser only to be free from defects in material and workmanship. Subject to certain exceptions, MILWAUKEE will repair or replace any part on an electric power tool which, after examination, is determined by MILWAUKEE to be defective in material or workmanship for a period of five (5) years** after the date of purchase unless otherwise noted. Return of the power tool to a MILWAUKEE factory Service Center location or MILWAUKEE Authorized Service Station, freight prepaid and insured, is required. A copy of the proof of purchase should be included with the return product. This warranty does not apply to damage that MILWAUKEE determines to be from repairs made or attempted by anyone other than MILWAUKEE authorized personnel, misuse, alterations, abuse, normal wear and tear, lack of maintenance, or accidents.

Normal Wear: Many power tools need periodic parts replacement and service to achieve best performance. This warranty does not cover repair when normal use has exhausted the life of a part including, but not limited to, chucks, brushes, cords, saw shoes, blade clamps, o-rings, seals, bumpers, driver blades, pistons, strikers, lifters, and bumper cover washers.

This warranty does not cover Air Nailers & Staplers; Airless Paint Sprayer; Cordless Battery Packs; Gasoline Driven Portable Power Generators; Hand Tools; Hoist - Electric, Lever & Hand Chain; M12™ Heated Gear; Reconditioned Product; and Test & Measurement Products. There are separate and distinct warranties available for these products.

**The warranty period for Job Site Radios, M12™ Power Port, M18™ Power Source, Jobsite Fan and Trade Titan™ Industrial Work Carts is one (1) year from the date of purchase. The warranty period for the Drain Cleaning Cables and AIRSNAKE™ Drain Cleaning Air Gun Accessories is two (2) years from the date of purchase. The warranty period for the M18™ Compact Heat Gun, 8 Gallon Dust Extractor, and M18™ Framing Nailers is three (3) years from the date of purchase. The warranty period for the LED in the LED Work Light and the LED Upgrade Bulb for the Work Light is the lifetime of the product subject to the limitations above. If during normal use the LED or LED Bulb fails, the part will be replaced free of charge.

Warranty Registration is not necessary to obtain the applicable warranty on a MILWAUKEE power tool product. The manufacturing date of the product will be used to determine the warranty period if no proof of purchase is provided at the time warranty service is requested.

ACCEPTANCE OF THE EXCLUSIVE REPAIR AND REPLACEMENT REMEDIES DESCRIBED HEREIN IS A CONDITION OF THE CONTRACT FOR THE PURCHASE OF EVERY MILWAUKEE PRODUCT. IF YOU DO NOT AGREE TO THIS CONDITION, YOU SHOULD NOT PURCHASE THE PRODUCT. IN NO EVENT SHALL MILWAUKEE BE LIABLE FOR ANY INCIDENTAL, SPECIAL, CONSEQUENTIAL OR PUNITIVE DAMAGES, OR FOR ANY COSTS, ATTORNEY FEES, EXPENSES, LOSSES OR DELAYS ALLEGED TO BE AS A CONSEQUENCE OF ANY DAMAGE TO, FAILURE OF, OR DEFECT IN ANY PRODUCT INCLUDING, BUT NOT LIMITED TO, ANY CLAIMS FOR LOSS OF PROFITS. SOME STATES DO NOT ALLOW THE EXCLUSION OR LIMITATION OF INCIDENTAL OR CONSEQUENTIAL DAMAGES. SO THE ABOVE LIMITATION OR EXCLUSION MAY NOT APPLY TO YOU. THIS WARRANTY IS EXCLUSIVE AND IN LIEU OF ALL OTHER EXPRESS WARRANTIES, WRITTEN OR ORAL. TO THE EXTENT PERMITTED BY LAW, MILWAUKEE DISCLAIMS ANY IMPLIED WARRANTIES, INCLUDING WITHOUT LIMITATION ANY IMPLIED WARRANTY OF MERCHANTABILITY OR FITNESS FOR A PARTICULAR USE OR PURPOSE. TO THE EXTENT SUCH DISCLAIMER IS NOT PERMITTED BY LAW, SUCH IMPLIED WARRANTIES ARE LIMITED TO THE DURATION OF THE APPLICABLE EXPRESS WARRANTY AS DESCRIBED ABOVE. SOME STATES DO NOT ALLOW LIMITATIONS ON HOW LONG AN IMPLIED WARRANTY LASTS. SO THE ABOVE LIMITATION MAY NOT APPLY TO YOU. THIS WARRANTY GIVES YOU SPECIFIC LEGAL RIGHTS, AND YOU MAY ALSO HAVE OTHER RIGHTS WHICH VARY FROM STATE TO STATE.

This warranty applies to product sold in the U.S.A. and Canada only. Please consult the 'Service Center Search' in the Parts & Service section of MILWAUKEE's website www.milwaukeekeetool.com or call 1.800.SAWDUST (1.800.729.3878) to locate your nearest service facility for warranty and non-warranty service on a Milwaukee electric power tool.

LIMITED WARRANTY - MEXICO, CENTRAL AMERICA & CARIBBEAN

TECHTRONIC INDUSTRIES' warranty is for 5 years since the original purchase date.

This warranty card covers any defect in material and workmanship on this Product.

To make this warranty valid, present this warranty card, sealed/stamped by the distributor or store where you purchased the product, to the Authorized Service Center (ASC). Or, if this card has not been sealed/stamped, present the original proof of purchase to the ASC. Call 55 4160-3547 to find the nearest ASC, for service, parts, accessories or components.

Procedure to make this warranty valid

Take the product to the ASC, along with the warranty card sealed/stamped by the distributor or store where you purchased the product, and any faulty piece or component will be replaced without cost for you. We will cover all freight costs relative with this warranty process.

Exceptions

This warranty is not valid in the following situations

- When the product is used in a different manner from the end-user guide or instruction manual.
- When the conditions of use are not normal.
- When the product was modified or repaired by people not authorized by TECHTRONIC INDUSTRIES.

Note: If cord set is damaged, it should be replaced by an Authorized Service Center to avoid electric risks.

SERVICE AND ATTENTION CENTER

Call to 55 4160-3547

IMPORTED AND COMMERCIALIZED BY
TECHTRONIC INDUSTRIES MEXICO, S.A. DE C.V.
Miguel de Cervantes Saavedra No.301 Piso 5, Torre Norte
11520 Colonia Ampliación Granada
Miguel Hidalgo, Ciudad de Mexico, Mexico

Model: _____

Date of Purchase: _____

Distributor or Store Stamp: _____

INSTRUCTIONS IMPORTANTES CONCERNANT LA SÉCURITÉ

SÉCURITÉ DE LA RADIO

⚠ AVERTISSEMENT

- 1) Lire les instructions suivantes.
- 2) Conserver ces instructions.
- 3) Respecter tous les avertissements.
- 4) Suivre toutes les instructions.
- 5) Ne pas utiliser cet appareil à proximité de l'eau.
- 6) Nettoyer seulement avec un chiffon sec.
- 7) Ne pas obstruer les ouvertures de ventilation. Installer conformément aux instructions du fabricant.
- 8) Ne pas installer l'appareil à proximité de sources de chaleur comme des radiateurs, des registres de chaleur, des poêles ou d'autres appareils (notamment des amplificateurs produisant de la chaleur.)
- 9) Ne pas détériorer la sécurité de la fiche polarisée ou de la fiche de terre. Une fiche polarisée possède deux lames dont l'une est plus large que l'autre. Une fiche de terre comporte deux lames et une troisième broche de mise à la terre. La lame la plus large ou la troisième broche sont prévues pour votre sécurité. Si la fiche fournie ne rentre pas dans la prise secteur, faire appel à un électricien pour qu'il procède au remplacement de la prise obsolète.
- 10) Protéger le cordon d'alimentation de sorte qu'il ne soit ni piétiné ni pincé en particulier au niveau des fiches, des prises de courant et du point de sortie de l'appareil.
- 11) Utiliser seulement des accessoires spécifiés par le fabricant.
- 12) Utiliser uniquement avec le chariot, le pied, le trépied, le support ou la table recommandés par le fabricant ou fournis avec l'appareil. Si un chariot est utilisé, déplacer l'ensemble chariot/appareil avec précaution afin de ne pas le renverser, ce qui pourrait entraîner des blessures.
- 13) Débrancher cet appareil pendant les orages ou lorsqu'il n'est pas utilisé pendant de longues périodes.
- 14) Confier toute réparation à du personnel qualifié. Des réparations sont nécessaires si l'appareil est endommagé d'une façon quelconque, comme : cordon ou prise d'alimentation endommagé(e), liquide renversé ou objets tombés dans l'appareil, exposition de l'appareil à la pluie ou à l'humidité, appareil ne fonctionnant pas normalement ou que l'on a fait tomber, ou manque portes de la batterie.

- 15) **⚠ AVERTISSEMENT** Pour réduire les risques d'incendie ou de choc électrique, ne pas exposer cet appareil à la pluie ou à l'humidité. Ne placez pas de flammes nues ou de bougies près ou à la radio.
- 16) Brancher l'alimentation uniquement dans une prise facilement accessible afin de pouvoir débrancher rapidement l'appareil.
- 17) Utiliser uniquement cet appareil dans un lieu bien ventilé.
- 18) Les blocs-piles des radios à piles, qu'ils soient intégrés ou amovibles, ne doivent être rechargés qu'avec le chargeur spécifié. Un chargeur approprié pour un type de piles peut créer un risque d'incendie s'il est utilisé avec un autre type de piles.
- 19) Utiliser exclusivement les blocs-piles spécifiquement indiqués pour la radio. L'utilisation de tout autre bloc peut créer un risque d'incendie.
- 20) Lorsque le bloc-pile n'est pas utilisé, le tenir à l'écart d'articles métalliques tels que : les attaches trombones, pièces de monnaie, clés, clous, vis et autres petits objets métalliques risquant d'établir le contact entre les deux bornes. La mise en court-circuit des bornes de pile peut causer des étincelles, des brûlures ou un incendie.
- 21) Éviter tout contact corporel avec des surfaces mises à la terre, telles que les tuyaux, radiateurs, cuisinières et réfrigérateurs. Le risque de choc électrique est accru lorsque le corps est mis à la terre.
- 22) Ne pas utiliser de fiches d'adaptation.
- 23) Pour faire fonctionner une radio à l'extérieur, utiliser un cordon spécialement conçu à cet effet, marqué « W-A » ou « W ». Ces cordons sont destinés à une utilisation à l'extérieur et réduisent les risques de choc électrique.
- 24) Ne jamais démonter la radio ou tenter de procéder à la réparation du câblage de son système électrique.
- 25) Ne jamais exposer cet appareil à des risques de coulures et d'éclaboussures, et ne jamais poser d'objets remplis de liquides sur cet appareil.
- 26) Maintenir en état les étiquettes et les plaques signalétiques. Des informations importantes y figurent. Si elles sont illisibles ou manquantes, contacter un centre de service et d'entretien MILWAUKEE pour un remplacement gratuit.
- 27) Ce radio + chargeur est conçu pour être alimenté par un générateur CA ou une ligne CA standard de 120V. La radio peut également être alimentée par un bloc-piles au li-ion M18™ MILWAUKEE. Radio + chargeur oit être branché dans une prise adaptée. Ne pas tenter de brancher le produit à une autre tension ou un autre type d'alimentation.

SÉCURITÉ DU CHARGEUR

- 28) **CONSERVER CES INSTRUCTIONS** – CE MANUEL D'UTILISATION CONTIENT D'IMPORTANTES INSTRUCTIONS DE SÉCURITÉ ET DE FONCTIONNEMENT POUR LE RADIO + CHARGEUR M18™ MILWAUKEE.
- 29) **AVANT D'UTILISER L'APPAREIL, LIRE CE MANUEL D'UTILISATION, LE MANUEL D'UTILISATION DU BLOC-PILES, AINSI QUE TOUTES LES ÉTIQUETTES APOSSÉES SUR LE BLOC-PILES ET LE RADIO + CHARGEUR.**

30) MISE EN GARDE - POUR RÉDUIRE LE RISQUE DE BLESSURE, CHARGER LES BLOCS AU LI-ION MILWAUKEE UNIQUEMENT DANS LEUR CHARGEUR AU LI-ION MILWAUKEE. Les chargeurs d'autres types peuvent causer des dommages ou des blessures. Le bloc-piles et le chargeur ne sont pas compatibles avec la technologie V™ ni les systèmes NiCd. Ne pas relier un bloc-piles à une prise secteur ou un allume-cigare. Les blocs-piles seront constamment désactivés ou endommagés.

31) ÉVITER LES ENVIRONNEMENTS DANGEREUX. Ne pas charger le bloc-piles sous la pluie, la neige, dans un endroit humide ou mouillé. Ne pas utiliser le bloc-piles ou le chargeur dans un endroit propice aux explosifs (fumées gazeuses, poussières ou matériaux inflammables) car l'insertion ou le retrait du bloc-piles pourrait alors créer des étincelles, ce qui risque de causer un incendie.

32) CHARGER DANS UN ENDROIT BIEN VENTILÉ. Ne pas bloquer les orifices du chargeur. S'assurer que les orifices ne sont pas obstrués afin de permettre une ventilation appropriée. Ne pas fumer ou utiliser des flammes nues à proximité d'un bloc-piles en charge. Les gaz à évacuation peuvent exploser.

33) MAINTENIR LE CORDON DU CHARGEUR. Pendant le débranchement du chargeur, tirer sur la fiche plutôt que sur le cordon pour réduire le risque de dommage de la prise ou du cordon électrique. Ne jamais transporter le chargeur par son cordon. Garder le cordon à l'écart de la chaleur, de l'huile et des objets tranchants. S'assurer que le cordon n'est pas piétiné, accroché, endommagé ou maltraité. Ne pas utiliser le chargeur si le cordon ou la fiche est endommagé(e). Remplacer immédiatement le chargeur endommagé.

34) DO NOT SHORT CIRCUIT. A short circuited battery pack may cause fire, personal injury, and product damage. A battery pack will short circuit if a metal object makes a connection between the positive and negative contacts on the battery pack. Do not place a battery pack near anything that may cause a short circuit, such as coins, keys or nails in your pocket.

35) DO NOT ALLOW FLUIDS TO FLOW INTO BATTERY PACK. Corrosive or conductive fluids, such as seawater, certain industrial chemicals, and bleach or bleach containing products, etc., can cause a short circuit.

36) NE PAS UTILISER DE RALLONGE, SAUF SI CELA EST ABSOLUMENT NÉCESSAIRE. L'utilisation d'une rallonge incorrectement câblée, endommagée ou inadaptée pourrait entraîner un risque d'incendie ou de choc électrique. Si une rallonge doit être utilisée, brancher le chargeur à une rallonge correctement câblée de calibre 16 ou supérieur ayant le même nombre de broches que celui du chargeur, et de même forme et taille. S'assurer que la rallonge est en bon état électrique.

37) UTILISER EXCLUSIVEMENT LES ACCESSOIRES RECOMMANDÉS. L'utilisation d'un accessoire non recommandé ou vendu par le fabricant du chargeur ou du bloc-piles peut causer un risque d'incendie, de choc électrique ou de blessure.

38) DÉBRANCHER LE CHARGEUR lorsqu'il n'est pas utilisé. Retirer les blocs-piles des chargeurs débranchés.

39) POUR RÉDUIRE LE RISQUE DE CHOC ÉLECTRIQUE, toujours débrancher le chargeur avant de procéder à un nettoyage ou un entretien. Utiliser un disjoncteur différentiel pour réduire les risques de choc électrique.

40) ENTREPOSER VOTRE BLOC-PILES ET CHARGEUR dans un endroit frais et sec. Ne pas entreposer le bloc-piles dans des endroits où la température peut dépasser 50 °C (120 °F), par exemple, un endroit exposé directement à la lumière du soleil, un véhicule ou une construction en métal pendant l'été.

SPÉCIFICATIONS

No de Cat.....	2950-20
Alimentation en volts.....	120 CA
Alimentation en ampères.....	1,8 CA
Sortie en volts.....	18 CD
Sortie en ampères.....	3,5 CD
Type de batterie.....	M18™
Type de chargeur.....	M18™
Température de fonctionnement recommandée	
Pile et chargeur.....	5°C à 40°C (40°F à 104°F)
Pile et outil.....	-10°C à 40°C (14°F à 104°F)

*La radio peut être utilisée dans les climats tropicaux ou tempérés

MISE A LA TERRE

Radios à double isolation :

Radios équipées de fiches à deux broches

Les radios portant la marque « double isolation » n'ont pas besoin de mise à la terre. Elles sont dotées d'un système spécial à double isolation qui répond aux exigences de l'OSHA et respecte les normes applicables de la société Underwriters Laboratories, Inc., de l'Association canadienne de normalisation et du Code national de l'électricité. Les radios à double isolation peuvent être utilisées dans l'une ou l'autre prise de 120V illustrées dans les figures A et B.

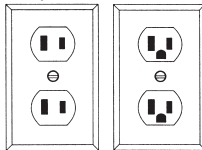


Fig. A

Fig. B

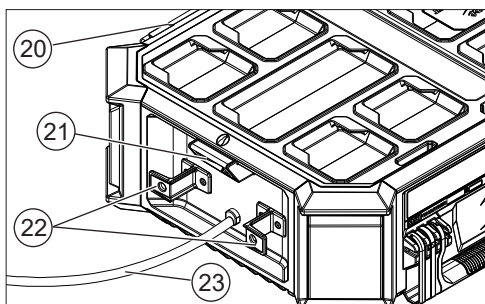
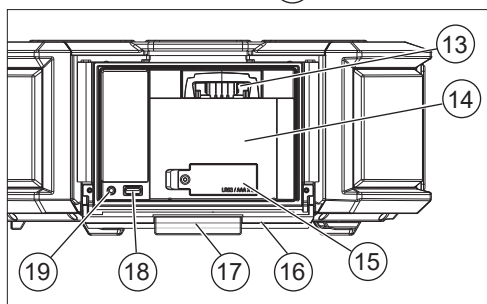
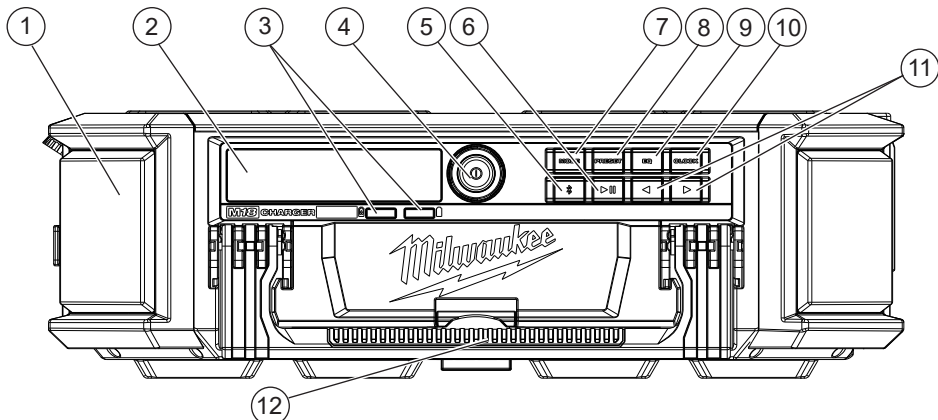
Federal Communications Commission

FC **AVERTISSEMENT** Toute modification apportée à l'unité qui n'a pas été expressément approuvée par le responsable de la conformité du produit pourrait suffire à révoquer le droit de l'utilisateur à se servir de l'équipement. Après avoir fait subir un essai à l'équipement, il a été déterminé que celui-ci est conforme aux normes relatives à un appareil numérique de classe B, selon la partie 15 des règles de la FCC. Ces limites sont conçues pour assurer une protection raisonnable contre les perturbations nuisibles dans une installation résidentielle. Ce matériel produit, utilise et peut irradier une énergie haute fréquence et, s'il n'est pas installé conformément aux présentes instructions, peut causer le brouillage des communications radio.

Toutefois, il n'existe aucune garantie que le brouillage ne se produira pas dans une installation donnée. Si ce matériel cause le brouillage de la réception d'émissions de radio ou de télévision, ce qui peut être déterminé en l'éteignant et en le rallumant, nous recommandons que l'utilisateur essaie de corriger le problème en prenant l'une ou plusieurs des mesures suivantes :

- Réorientation de l'antenne réceptrice.
- Augmentation de la distance entre le matériel et le récepteur.
- Branchement du matériel sur une prise autre que celui sur lequel le récepteur est branché.
- Consultation du revendeur ou d'un technicien en télévision.

DESCRIPCIÓN FUNCIONAL



1. Haut-parleurs (4 coins et retour)
2. Affichage
3. Indicateurs de charge*
4. Bouton « On/Off » (Marche/Arrêt) et de réglage du volume
5. Bouton de Bluetooth
6. Bouton « Play/Pause » (Lecture/pause)
7. Bouton « MODE » (Mode)
8. Bouton « PRESET » (Réinitialisation)
9. Bouton « EQ » (Égalisateur)
10. Bouton « CLOCK » (Horloge)
11. Boutons de recherche/réglage
12. Poignée
13. Contacts électriques
14. Compartiment des piles
15. Compartiment des piles de secours
16. Couvercle du compartiment des piles/auxiliaire

17. Loquet du compartiment des piles/auxiliaire
18. Prise d'alimentation USB
19. Prise auxiliaire stéréo
20. Antenne
21. Décapsuleur
22. Enrouleur de cordon
23. Cordon

* Indicateurs de charge

Lorsqu'un bloc-piles est inséré dans le chargeur, les voyants indiquent ce qui suit :



Rouge fixe : en charge



Vert fixe : chargement terminé



Rouge clignotant : pile trop chaude/froide
Le chargement commence lorsque la pile atteint la bonne température de charge



Rouge/vert clignotant : Bloc-piles endommagé ou défectueux

PICTOGRAPHIE

V Volts

— Courant direct

~ Courant alternatif

A Ampères

Hz Hertz

□ Double Isolation. L'outil ne nécessite pas d'échouement.



Présence de consignes importantes d'utilisation.



ATTENTION Risque de choc électrique.



Federal Communications Commission



UL Listing Mark pour Canada et États-Unis

CORDONS DE RALLONGE

Pour les outils à double isolation, on peut employer indifféremment un cordon de rallonge à deux ou trois fils. Plus la longueur du cordon entre l'outil et la prise de courant est grande, plus le calibre du cordon doit être élevé. L'utilisation d'un cordon de rallonge incorrectement calibré entraîne une chute de voltage résultant en une perte de puissance qui risque de détériorer l'outil. Reportez-vous au tableau ci-contre pour déterminer le calibre minimum du cordon.

Moins le calibre du fil est élevé, plus sa conductivité est bonne. Par exemple, un cordon de calibre 14 a une meilleure conductivité qu'un cordon de calibre 16. Lorsque vous utilisez plus d'une rallonge pour couvrir la distance, assurez-vous que chaque cordon possède le calibre minimum requis. Si vous utilisez un seul cordon pour brancher plusieurs outils, additionnez le chiffre d'intensité (ampères) inscrit sur la fiche signalétique de chaque outil pour obtenir le calibre minimal requis pour le cordon.


Directives pour l'emploi des cordons de rallonge

- Si vous utilisez une rallonge à l'extérieur, assurez-vous qu'elle est marquée des sigles « W-A » (« W » au Canada) indiquant qu'elle est adéquate pour usage extérieur.
- Assurez-vous que le cordon de rallonge est correctement câblé et en bonne condition. Remplacez tout cordon dérangé détérioré ou faites-le remettre en état par une personne compétente avant de vous en servir.
- Tenez votre cordon de rallonge à l'écart des objets ranchants, des sources de grande chaleur et des endroits humides ou mouillés.
- Débranchez tous les cordons pendant les orages avec éclairs ou en cas d'inutilisation prolongée.

Calibres minimaux recommandés pour les cordons de rallonge*


Fiche signalétique Ampères	Longueur du cordon de rallonge (m)				
	7,6	15,2	22,9	30,5	45,7
0 - 2,0	18	18	18	18	16
2,1 - 3,4	18	18	18	16	14
3,5 - 5,0	18	18	16	14	12
5,1 - 7,0	18	16	14	12	12
7,1 - 12,0	16	14	12	10	--
12,1 - 16,0	14	12	10	--	--
16,1 - 20,0	12	10	--	--	--

* Basé sur une chute de voltage limite de 5 volts à 150% de l'intensité moyenne de courant.



ATTENTION

**RISQUE D'ÉLECTROCUTION
NE PAS OUVRIR**



ATTENTION: POUR RÉDUIRE LE RISQUE D'ÉLECTROCUTION, NE PAS RETIRER LE COUVERCLE (OU LE DOS), NE CONTIENT AUCUNE PIÈCE RÉPARABLE PAR L'UTILISATEUR. CONFIER L'ENTRETIEN À UN PERSONNEL QUALIFIÉ.



Le symbole composé d'un éclair terminé par une flèche, à l'intérieur d'un triangle équilatéral, est destiné à avertir l'utilisateur de la présence d'une « tension dangereuse » sans isolation à l'intérieur du produit d'une force suffisante pour créer un risque d'électrocution des personnes.



Le symbole d'un point d'exclamation, à l'intérieur d'un triangle équilatéral, est destiné à avertir l'utilisateur de la présence d'importantes instructions de fonctionnement et d'entretien (de service) dans la documentation accompagnant le dispositif.

ASSEMBLAGE DE LA RADIO

⚠ AVERTISSEMENT Ne recharger la batterie qu'avec le chargeur spécifié. Pour les instructions de charge spécifiques, lire le manuel d'utilisation fourni avec le chargeur et les batteries.

Alimentation

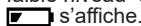
Le radio + chargeur M18™ MILWAUKEE peut être alimenté par des blocs-piles au li-ion M18™ MILWAUKEE ou une prise murale standard. Lorsqu'il est branché à une prise murale, le compartiment des piles recharge les blocs-piles au li-ion M18™ MILWAUKEE (voir la section Fonctionnement du chargeur).

Insertion/Retrait d'un bloc-piles

1. Ouvrir le couvercle du compartiment des piles.
2. Pour insérer un bloc-piles, le faire glisser dans le compartiment des piles.
3. Pour retirer le bloc-piles, le tirer jusqu'à ce qu'il sorte du compartiment.
4. Toujours fermer le couvercle du compartiment des piles lorsque ce dernier n'est pas utilisé.

Indicateur de faible niveau des piles

Lorsque la radio est alimentée par un bloc-piles et que sa charge passe sous les 10 %, l'indicateur de faible niveau des piles



Protection du bloc-piles

Pour prolonger la durée de vie du bloc-piles, la radio s'éteint lorsque le niveau de charge de ce dernier devient trop faible. Si cela se produit, brancher le radio + chargeur dans une prise de 120V et recharger le bloc-piles conformément à la section Fonctionnement du chargeur.

Installation d'un dispositif auxiliaire

Ouvrir le compartiment auxiliaire pour brancher un lecteur MP3, un lecteur de CD ou tout autre dispositif audio au moyen de la prise auxiliaire stéréo. Les petits dispositifs peuvent être stockés dans le compartiment pendant l'utilisation.

Prise d'alimentation USB

Cette prise peut être utilisée pour charger un téléphone cellulaire, alimenter un lecteur MP3 ou tout autre dispositif qui utilise un courant électrique continu de moins de 2,1V.

REMARQUE : tout dispositif utilisant un courant électrique continu de plus de 2,1V déclencherà une surcharge à réamorçage automatique et désactivera la prise.

FONCTIONNEMENT DE LA RADIO

⚠ AVERTISSEMENT Il faut toujours retirer la batterie avant de changer ou d'enlever les accessoires. L'emploi d'accessoires autres que ceux qui sont expressément recommandés pour cet outil peut comporter des risques.

Afin de réduire le risque de choc électrique ou d'incendie, n'exposez pas cette radio à la pluie ni à l'humidité.

Ⓛ Mise en marche/arrêt et réglage du volume
Brancher le cordon dans la prise CA appropriée ou installer un bloc-piles.

Appuyez et maintenez le bouton de commande marche/arrêt/réglage du volume ① jusqu'à ce que la radio s'allume ou s'éteigne. La station de radio (fréquence) s'affiche. Pour afficher l'heure, appuyer sur le bouton d'horloge. Le volume reprend son dernier réglage.

REMARQUE : Lorsque le chargeur de radio fonctionne sur pile, la luminosité de l'affichage diminue après 5 minutes pour réduire l'utilisation d'énergie. Faire pivoter le bouton de marche/arrêt/réglage du volume ① pour augmenter ou diminuer le volume.

Réglage de l'horloge

1. Appuyer sur le bouton d'horloge et le tenir enfoncé jusqu'à ce que l'heure commence à clignoter.
2. Utiliser les boutons ◀ et ▶ pour changer l'heure.
3. Appuyer de nouveau sur le bouton d'horloge. Les minutes commencent à clignoter. Utiliser les boutons ◀ et ▶ pour changer les minutes.
4. Appuyer de nouveau sur le bouton d'horloge pour enregistrer les données.

Réglage de l'égalisateur

Pour régler manuellement les graves et les aigus, appuyer sur le bouton d'égalisateur. Régler les graves en faisant pivoter le bouton de marche/arrêt/réglage du volume ①. Appuyer de nouveau sur le bouton d'égalisateur pour régler les aigus en faisant pivoter le bouton de marche/arrêt/réglage du volume ①.

Sélection de la bande

Appuyer sur le bouton de mode pour sélectionner la bande Bluetooth, FM, AM ou AUX.

Syntonisation et recherche

Appuyer sur les boutons ◀ et ▶ pour avancer ou reculer la bande. Appuyer, maintenir enfoncés et relâcher les boutons ◀ et ▶ pour faire défiler la bande. Lorsque la station désirée est trouvée, la recherche est arrêtée.

Stations PRÉRÉGLÉES

Pour préréglager des stations :

1. Syntoniser la station désirée.
2. Appuyer sur le bouton de préréglage jusqu'à ce que l'indicateur « PRESET » apparaisse sur l'affichage commence à clignoter.
3. Utiliser les boutons ◀ et ▶ pour sélectionner l'emplacement préréglé de la station. Neuf emplacements (1 à 9) sont disponibles pour AM et FM.
4. Appuyer sur le bouton de préréglage pour enregistrer l'emplacement.

Pour syntoniser une station préréglée :

Appuyer sur le bouton de préréglage et le relâcher pour faire défiler les stations préréglées.

Utilisation de la prise auxiliaire stéréo

1. Ouvrir le compartiment auxiliaire.
2. Brancher le dispositif auxiliaire dans la prise auxiliaire stéréo.
3. Utiliser le bouton de mode pour sélectionner le mode auxiliaire.
4. Mettre en marche le dispositif auxiliaire.

Bluetooth

Pour entrer dans le mode Bluetooth, appuyer sur le bouton \mathbb{X} , ou appuyer sur le bouton de mode pour faire défiler jusqu'au Bluetooth.

Appariement

- Si aucun dispositif Bluetooth n'est connecté, l'appariement au Bluetooth commencera automatiquement et l'icône \mathbb{X} clignotera sur l'affichage.
- La radio continuera de rechercher un signal pendant 3 minutes.

- Pour appairer manuellement un dispositif, appuyer sur le bouton du Bluetooth et le maintenir enfoncé jusqu'à ce que \mathbb{X} commence à rapide clignoter.
- Pendant que \mathbb{X} clignote, sélectionner « M18 PACKOUT RADIO » sur le dispositif compatible Bluetooth.
- Une fois le dispositif correctement apparié à la radio, le \mathbb{X} apparaîtra sur l'affichage de la radio.

Connexion

Pour entrer dans le mode Bluetooth, appuyer sur le bouton \mathbb{X} , ou appuyer sur le bouton de mode pour faire défiler jusqu'au Bluetooth.

Lorsque la radio détecte un dispositif Bluetooth apparié à la radio, la \mathbb{X} cessera de clignoter.

Si la connexion est perdue entre la radio et le dispositif Bluetooth, la radio tentera de se reconnecter automatiquement pendant 3 minutes maximum.

Contrôle

Lorsque de la musique est diffusée par la radio via un dispositif Bluetooth, utiliser le bouton ▶|| pour démarrer la musique et la mettre en pause. Utiliser les boutons ◀ et ▶ pour faire défiler les pistes.

FONCTIONNEMENT DU CHARGEUR

⚠ AVERTISSEMENT Charger uniquement les blocs-piles au li-ion M18™

MILWAUKEE dans le chargeur de batterie au li-ion MILWAUKEE. Les piles de type différent peuvent causer des dommages et des blessures. Le bloc-piles et le chargeur ne sont pas compatibles avec la technologie V™ ni les systèmes NiCd.

À quel moment charger les blocs-piles au li-ion MILWAUKEE

Retirer le bloc-piles de l'appareil pour charger à des heures qui vous conviennent et qui n'interrompent pas votre travail. Les blocs-piles MILWAUKEE ne développent pas une « mémoire » lorsqu'ils sont rechargés après un déchargement partiel uniquement. Il n'est pas nécessaire de décharger complètement le bloc-piles avant de le placer sur le chargeur.

- Utiliser l'indicateur de niveau d'énergie (sur l'outil ou la batterie) pour déterminer quand charger la batterie Li-Ion MILWAUKEE.
- Il est possible de compléter la charge de la batterie avant de commencer un important travail ou une longue journée d'utilisation.

Comment charger la batterie

Brancher le radio + chargeur dans une prise de 120V. Les blocs-piles ne se chargeront pas si le radio + chargeur n'est pas branché. Placer le bloc-piles dans le compartiment en faisant glisser depuis le haut du compartiment. Le voyant rouge s'allume et clignote (bloc trop chaud ou trop froid) ou est fixe (bloc en charge).

- Une batterie complètement déchargée, avec une température interne de plage normale, se charge en 30-185 minutes, selon la batterie.
- Les blocs-piles soumis à de nombreux cycles peuvent nécessiter un temps plus long pour être chargés complètement.
- Les voyants de l'indicateur de charge sur les blocs-piles s'allument pendant le chargement du bloc pour en indiquer la progression.
- Une fois le chargement terminé, le témoin vert fixe s'allume et l'indicateur de charge s'éteint.
- Le chargeur maintient le bloc-piles entièrement chargé s'il reste sur le chargeur.
- Si le témoin de charge clignote en rouge ou vert, vérifier que le bloc-piles est bien en place dans le

compartiment. Retirer le bloc et le réinsérer. Si le problème persiste, communiquer avec un centre de service MILWAUKEE.

• Si le témoin de charge ne s'allume pas, vérifier que le bloc-piles est bien en place dans le compartiment. Retirer le bloc et le réinsérer. Si le témoin de charge ne s'allume toujours pas, communiquer avec un centre de service MILWAUKEE.

Chargement d'une batterie chaude ou froide

Le témoin clignotant rouge du chargeur indique que la température de la batterie est hors de la plage de charge. Une fois que la batterie est dans la plage acceptable, une charge normale commence et le témoin rouge s'allume en continu. Des batteries froides ou chaudes peuvent nécessiter plus de temps pour se recharger.

État de charge au Li-Ion		
Température du bloc de piles	Témoin rouge de l'indicateur du chargeur	État de charge
Trop chaude	Clignotant	Pas de charge
Température correcte	Continu	Charge normale
Trop froide	Clignotant	Pas de charge

ENTRETIEN

AVERTISSEMENT Pour minimiser les risques de blessures corporelles, débranchez le chargeur et retirez la batterie du chargeur ou de l'outil avant d'y effectuer des travaux d'entretien. Ne démontez jamais l'outil, la batterie ou le chargeur. Pour toute réparation, consultez un centre de service MILWAUKEE accrédité.

Entretien et entreposage

Entreposer votre chargeur dans un endroit frais et sec. De manière générale, il est préférable de débrancher les chargeurs de piles et de retirer les blocs-piles lorsqu'ils ne sont pas utilisés. Toutefois, le fait de laisser le chargeur et le bloc-piles branchés n'endommagera pas le bloc-piles.

Changement des piles de secours

AVERTISSEMENT Les piles peuvent libérer des produits chimiques ou exploser si elles sont utilisées de manière incorrecte. Les précautions suivantes doivent être prises pour éviter ce type d'incident :

- S'assurer que les bornes positives (+) et négatives (-) de la pile sont positionnées correctement.
- Ne pas mélanger des piles récentes avec d'autres plus anciennes, ni mélanger différents types de piles.
- Ne pas essayer de recharger des piles non rechargeables.

Si les produits chimiques des piles entrent en contact avec votre peau, rincer immédiatement avec de l'eau. Si les produits chimiques fuient dans la radio, nettoyer complètement la radio.

Étouffement. Éloignez les piles des enfants.

Pour conserver les réglages préalables des stations et de l'horloge lorsque le bloc-piles est retiré et la radio débranchée, il est nécessaire d'utiliser deux piles AAA.

1. Retirer le bloc-piles et débrancher la radio.
2. Retirer la vis et le couvercle du compartiment des piles.
3. Insérer deux (2) piles AAA en alignant les bornes positives (+) avec les bornes positives (+) et les bornes négatives (-) avec les bornes négatives (-).

4. Replacer le couvercle du compartiment des piles et visser.

5. Éliminez toujours correctement les piles usagées.

AVERTISSEMENT Pour réduire le risque d'incendie, de blessures corporelles et de dommages causés par un court-circuit, ne jamais immerger l'outil, le bloc-piles ou le chargeur dans un liquide ou laisser couler un fluide à l'intérieur de celui-ci. Les fluides corrosifs ou conducteurs, tels que l'eau de mer, certains produits chimiques industriels, les produits de blanchiment ou de blanchiment, etc., peuvent provoquer un court-circuit.

Nettoyage

Nettoyer la poussière et les débris des orifices du chargeur et des contacts électriques en y soufflant de l'air comprimé. Utiliser uniquement un savon doux et un chiffon humide pour nettoyer le bloc-piles et le chargeur, tout en évitant tous les contacts électriques. Certains agents de nettoyage et certains solvants peuvent détériorer le plastique et d'autres pièces isolées. En voici des exemples : l'essence, la térébenthine, les diluants à laque ou à peinture, les solvants chlorés, l'ammoniaque et les détergents à usage domestique qui en contiennent. Ne jamais utiliser de solvants inflammables ou combustibles autour des blocs-piles, du chargeur ou des outils.

Réparations

Pour les réparations, retournez outil, batterie et chargeur en entier au centre-service le plus près.

ACCESOIRES

AVERTISSEMENT L'utilisation d'autres accessoires que ceux qui sont spécifiquement recommandés pour cet outil peut comporter des risques.

Pour une liste complète des accessoires, visiter le site internet www.milwaukeeetool.com ou contactez un distributeur.

SERVICE - CANADA

Milwaukee Tool (Canada) Ltd

1.800.268.4015

Monday-Friday, 7:00 AM - 4:30 PM CST

www.milwaukeeetool.ca

GARANTIE LIMITÉE - AUX ÉTATS-UNIS ET AU CANADA

Chaque outil électrique* MILWAUKEE (voir exceptions ci-dessous) est garanti à l'acheteur d'origine uniquement pour être exempt de vices de matériaux et de fabrication. Sous réserve de certaines exceptions, MILWAUKEE réparera ou remplacera toute pièce d'un outil électrique qui, après examen par MILWAUKEE, s'est avérée être affectée d'un vice de matériau ou de fabrication et ce pendant une période de cinq (5) ans** à compter de la date d'achat, sauf indication contraire. Retourner l'outil électrique à un centre de réparation en usine MILWAUKEE ou à un poste d'entretien agréé MILWAUKEE, en port prépayé et assuré. Une copie de la preuve d'achat doit être présentée lors du retour du produit. Cette garantie ne couvre pas les dommages que MILWAUKEE détermine être causés par des réparations ou des tentatives de réparation par quiconque autre que le personnel agréé par MILWAUKEE, ou par des utilisations incorrectes, des altérations, des utilisations abusives, une usure normale, une carence d'entretien ou des accidents.

Usure normale : Plusieurs outils électriques requièrent un remplacement et un entretien périodique de leurs pièces pour un meilleur rendement. Cette garantie ne couvre pas la réparation des pièces due à l'utilisation normale de l'outil, y compris, mais sans s'y limiter, les mandrins, les brosses, les cordes, les sabots de scie, les portelames, les joints toriques, les joints, les amortisseurs, les lames d'entraînement, les pistons, les perceurs, les crochets et les rondelles à couvercle amortisseur.

* Cette garantie ne s'applique pas aux cloueuses-agrafeuses pneumatiques, aux pulvérisateurs à peinture sans air, aux blocs-piles pour outils sans fil, aux génératrices d'alimentation portatives à essence,

aux outils à main, aux monte-charges – électriques, à levier et à chaîne, aux vestes chauffantes M12™, aux produits ré-usinés, ni aux produits d'essai et de mesure. Il existe des garanties séparées distinctes pour ces produits.

**La période de garantie applicable pour les radios de chantier, le port d'alimentation M12™, la source électrique M18™, le ventilateur de chantier et les chariots de travail industriels Trade Titan™ est d'une durée d'un (1) an à compter de la date d'achat. La période de garantie pour les câbles de nettoyage des drains et les accessoires de pistolet à air de vidange AIRSNAKE™ est de deux (2) ans à compter de la date d'achat. La période de garantie pour le Pistolet thermique compact M18™ et Dépoussiéreur de 8 gallons, et M18™ clouuses à ossature est de trois (3) ans à compter de la date d'achat. La période de garantie couvrant la DEL de la lampe de travail à DEL et l'ampoule améliorée à DEL de la lampe de travail est une garantie à vie du produit soumise aux limitations ci-dessus. En cas de défaillance de la DEL ou de l'ampoule à DEL pendant son utilisation normale, la pièce défectueuse sera remplacée gratuitement.

L'enregistrement de la garantie n'est pas nécessaire pour bénéficier de la garantie en vigueur sur un outil électrique MILWAUKEE. La date de fabrication du produit servira à établir la période de garantie, si aucune preuve d'achat n'est fournie lorsqu'une demande de service sous garantie est déposée.

L'ACCEPTATION DES RECOURS EXCLUSIFS DE RÉPARATION ET DE REMPLACEMENT DÉCRITS DANS LES PRÉSENTES EST UNE CONDITION DU CONTRAT D'ACHAT DE TOUT PRODUIT MILWAUKEE. SI VOUS N'ACCEPTÉZ PAS CETTE CONDITION, VOUS NE DEVEZ PAS ACHETER LE PRODUIT. EN AUCUN CAS, MILWAUKEE NE SAURAIT ÊTRE RESPONSABLE DE TOUT DOMMAGE ACCESSOIRE, SPÉCIAL OU INDIRECT, DE DOMMAGES-INTÉRÊTS PUNITIFS OU DE TOUTE DÉPENSE, D'HONORAIRES D'AVOCAT, DE FRAIS, DE PERTE OU DE DÉLAIS ACCESSOIRES À TOUT DOMMAGE, DÉFAILLANCE OU DÉFAUT DE TOUT PRODUIT, Y COMPRIS NOTAMMENT LES PERTES DE PROFIT. CERTAINS ÉTATS ET PROVINCES NE PERMETTANT L'EXCLUSION OU LA LIMITATION DES DOMMAGES DIRECTS OU INDIRECTS, LES RESTRICTIONS CI-DESSUS PEUVENT NE PAS VOUS ÊTRE APPLICABLES. CETTE GARANTIE EST EXCLUSIVE ET REMPLACE TOUTE AUTRE GARANTIE EXPRESSE, QU'ELLE SOIT VERBALE OU ÉCRITE. DANS LA MESURE PERMISE PAR LA LOI, MILWAUKEE RENONCE À TOUTE GARANTIE IMPLICITE, Y COMPRIS, MAIS SANS S'Y LIMITER, TOUTE GARANTIE IMPLICITE DE QUALITÉ MARCHANDE OU D'ADAPTATION À UNE UTILISATION OU À UNE FIN PARTICULIÈRE. DANS LA MESURE OU UNE TELLE STIPULATION D'EXONÉRATION N'EST PAS PERMISE PAR LA LOI. LA DURÉE DE CES GARANTIES IMPLICITES EST LIMITÉE À LA PÉRIODE APPLICABLE À LA GARANTIE EXPRESSE, TEL QUE CELA EST DÉCRIT PRÉCÉDEMMENT. CERTAINS ÉTATS ET PROVINCES NE PERMETTANT PAS DE LIMITATION DE DURÉE DES GARANTIES IMPLICITES, LES RESTRICTIONS CI-DESSUS PEUVENT DONC NE PAS VOUS ÊTRE APPLICABLES. LA PRÉSENTE VOUS CONFÈRE DES DROITS LÉGAUX PARTICULIERS; VOUS BÉNÉFICIEZ ÉGALEMENT D'AUTRES DROITS QUI VARIENT D'UN ÉTAT À UN AUTRE.

Cette garantie s'applique aux produits vendus aux États-Unis et au Canada uniquement.

Veillez consulter la rubrique Centre SAV Milwaukee, dans la section Pièces et Services du site Web de MILWAUKEE, à l'adresse www.milwaukeeool.com, ou composer le 1-800-SAWDUST (1-800-729-3878) afin de trouver le centre de service de votre région le plus proche pour l'entretien, sous garantie ou non, de votre outil électrique Milwaukee.

GARANTIE LIMITÉE – MEXIQUE, AMÉRIQUE CENTRALE ET CARAÏBES

TECHTRONIC INDUSTRIES® garantit le produit pendant 5 ans à partir de la date d'achat d'origine.

Le présent bon de garantie couvre tous les vices de matériau et de fabrication qui peut afficher ce produit.

Pour assurer la validité de la présente garantie, veuillez présenter ce bon de garantie, estampillé du sceau du distributeur ou du magasin où le produit a été acheté, au centre de réparations agréé. Si le bon de garantie n'a pas été estampillé, veuillez fournir la preuve d'achat d'origine au centre de réparations agréé.

Pour un entretien des pièces, des accessoires ou des composants, composer 55 4160-3547 afin d'obtenir les coordonnées du centre de réparations agréé le plus près.

Procédure pour assurer la validité de la garantie

Présenter le produit au centre de réparations agréé, accompagné du bon de garantie estampillé du sceau du distributeur ou du magasin où le produit a été acheté. Toute pièce défectueuse ou tout composant défectueux sera remplacé(e) sans frais. Milwaukee assume tous les frais de transport liés à ce processus de garantie.

Exceptions

Cette garantie ne s'applique pas dans les situations suivantes :

- a) Si le produit a été utilisé pour une fin autre que celle indiquée dans le guide de l'utilisateur final ou le manuel d'instructions.
- b) Si les conditions d'utilisations ne sont pas habituelles.
- c) Si le produit a été modifié ou réparé par une personne non autorisée par TECHTRONIC INDUSTRIES.

Remarque : Si le cordon électrique est endommagé, il doit être remplacé par un centre de réparations agréé pour éviter les risques d'électrocution.

CENTRE DE RÉPARATIONS ET DE SERVICE

Composer le 55 4160-3547

IMPORTÉ ET COMMERCIALISÉ PAR

TECHTRONIC INDUSTRIES, MEXIQUE, S.A. DE C.V.

Miguel de Cervantes Saavedra No.301 Piso 5, Torre Norte

11520 Colonia Ampliación Granada

Miguel Hidalgo, Ciudad de Mexico, Mexico

Modèle : _____

Date d'achat : _____

Sceau du distributeur ou du magasin :

INSTRUCCIONES DE SEGURIDAD IMPORTANTES

SEGURIDAD DEL RADIO

⚠ ADVERTENCIA

- 1) Lea estas instrucciones.
- 2) Guarde estas instrucciones.
- 3) Ponga atención a todas las advertencias.
- 4) Siga todas las instrucciones.
- 5) No use este aparato cerca del agua.
- 6) Limpie únicamente con un paño seco.
- 7) No obstruya las aberturas de ventilación. Instale de conformidad con las instrucciones del fabricante.
- 8) No instale cerca de ninguna fuente de calor tal como radiadores, registros de calefacción, estufas u otros aparatos (incluyendo amplificadores que producen calor).
- 9) No arruine el propósito de seguridad del enchufe polarizado o de tipo conexión a tierra. Un enchufe polarizado tiene dos puntas, una más ancha que la otra. Un enchufe de tipo conexión a tierra tiene dos puntas y una tercera punta de conexión a tierra. La punta ancha o la tercera punta se proporciona para su seguridad. Si el enchufe proporcionado no puede conectarse al tomacorriente, consulte a un electricista para reemplazar el tomacorriente obsoleto.
- 10) Proteja el cable de corriente para evitar que se pise o presione, especialmente en los enchufes, tomacorrientes y el punto donde salen del aparato.
- 11) Use únicamente aditamentos/accesorios especificados por el fabricante.
- 12) Use únicamente con el carrito, banco, trípode, soporte o mesa especificado por el fabricante o vendido con el aparato. Cuando use un carrito, tenga cuidado al mover la combinación del carrito/aparato para evitar lesiones debido a una volcadura.
- 13) Desconecte este aparato durante tormentas eléctricas o cuando no se use por largos periodos de tiempo.
- 14) Para dar servicio al aparato, envíelo al personal de servicio calificado. El servicio se requiere cuando el aparato se ha dañado de alguna manera, como cuando el cable de corriente o el enchufe está dañado, se derramó líquido o cayeron objetos sobre el aparato, este ha estado expuesto

a lluvia o humedad, no funciona con normalidad o se cayó, o le faltan puertas de batería.

- 15) **⚠ ADVERTENCIA** Para reducir el riesgo de un incendio o descarga eléctrica, no exponga este aparato a la lluvia o humedad. No coloque llamas o velas abiertas cerca o en la radio.
- 16) Conecte el cable de corriente a un tomacorriente de fácil acceso para permitir que el aparato se desconecte rápidamente.
- 17) Solo opere este aparato en un área con buena ventilación.
- 18) Un radio operado por baterías con baterías integradas o baterías independientes debe recargarse únicamente con el cargador especificado para las baterías. Un cargador que pudiera ser adecuado para un tipo de batería puede crear un riesgo de incendio cuando se usa con otra batería.
- 19) Use el radio operado por batería únicamente con las baterías específicamente designadas. El uso de otras baterías puede crear un riesgo de incendio.
- 20) Cuando las baterías no estén en uso, manténgalas alejadas de otros objetos metálicos como: sujetapapeles, monedas, llaves, clavos, tornillos u otros objetos metálicos pequeños que pueden conectar una terminal con la otra. Causar un cortocircuito al juntar las terminales de las baterías puede causar chispas, quemaduras o un incendio.
- 21) Evite el contacto corporal con superficies conectadas a tierra tales como tuberías, radiadores, estufas y refrigeradores. Existe un mayor riesgo de descarga eléctrica si su cuerpo está aterrizado.
- 22) No use ningún enchufe adaptador.
- 23) Cuando utilice el radio en exteriores, use un cable de extensión para exteriores marcado "W-A" o "W". Estos cables están clasificados para uso en exteriores y reducen el riesgo de una descarga eléctrica.
- 24) Nunca desarme el radio ni intente recablear el sistema eléctrico del mismo.
- 25) No exponga este aparato a escurrimientos y salpicaduras ni coloque objetos llenos de líquido sobre esta unidad.
- 26) Conserve las etiquetas y placas, pues estas ofrecen información importante. Si son ilegibles o no están presentes, comuníquese con una instalación de servicio MILWAUKEE para solicitar un reemplazo gratuito.
- 27) El radio + cargador está diseñado para funcionar con una línea CA de 120 voltios estándar o generador AC. El radio también puede funcionar usando un paquete de baterías de iones de litio M18™ MILWAUKEE. El radio + cargador debe conectarse a un tomacorriente adecuado. No intente utilizarlo con otro voltaje o fuente de alimentación.

SEGURIDAD DEL CARGADOR

- 28) **GUARDE ESTAS INSTRUCCIONES -ESTE MANUAL DEL OPERADOR CONTIENE INSTRUCCIONES IMPORTANTES DE SEGURIDAD Y OPERACIÓN PARA EL RADIO + CARGADOR DE IONES DE LITIO M18™ MILWAUKEE.**
- 29) **ANTES DE USAR, LEA ESTE MANUAL DEL OPERADOR, EL MANUAL DEL OPERADOR DE LAS BATERÍAS Y TODAS LAS ETIQUETAS DE LAS BATERÍAS ASÍ COMO DEL RADIO + CARGADOR.**
- 30) **PRECAUCIÓN - PARA REDUCIR EL RIESGO DE LESIONES, CARGUE LAS BATERÍAS DE IONES DE LITIO MILWAUKEE ÚNICAMENTE EN EL CARGADOR DE IONES DE LITIO MILWAUKEE.**

Otros tipos de cargadores pueden causar lesiones personales o daños. Las baterías y el cargador no son compatibles con sistemas de tecnología V™ o NiCd. No conecte una batería a un enchufe de fuente de poder ni a un encendedor de cigarrillos para automóvil. Las baterías se dañarán o quedarán inservibles permanentemente.

- 31) **EVITE AMBIENTES PELIGROSOS.** No cargue la batería en la lluvia, nieve o lugares húmedos o mojados. No use la batería ni el cargador en presencia de atmósferas explosivas (gases, polvo o materiales inflamables) puesto que pueden generarse chispas al insertar o quitar la batería, y posiblemente provocar un incendio.
- 32) **CARGUE EN UN ÁREA CON BUENA VENTILACIÓN** No obstruya las ventillas del cargador. Manténgalas sin obstrucciones para permitir una ventilación adecuada. No permita que haya humo o llamas abiertas cerca de la batería que se esté cargando. Los gases ventilados pueden explotar.
- 33) **DE MANTENIMIENTO AL CABLE DEL CARGADOR.** Al desconectar el cargador, jale del enchufe en vez del cable para reducir el riesgo de dañar cualquiera de ellos. Nunca transporte el cargador sujetándolo del cable. Proteja el cable del calor, aceite y bordes afilados. Asegúrese de no pisar, tropezar o someter el cable a daños o estrés. No use el cargador con el cable o enchufe dañado. Pida que se reemplace inmediatamente un cargador dañado.
- 34) **DO NOT SHORT CIRCUIT.** A short circuited battery pack may cause fire, personal injury, and product damage. A battery pack will short circuit if a metal object makes a connection between the positive and negative contacts on the battery pack. Do not place a battery pack near anything that may cause a short circuit, such as coins, keys or nails in your pocket.
- 35) **DO NOT ALLOW FLUIDS TO FLOW INTO BATTERY PACK.** Corrosive or conductive fluids, such as seawater, certain industrial chemicals, and bleach or bleach containing products, etc., can cause a short circuit.
- 36) **NO USE UN CABLE DE EXTENSIÓN A MENOS QUE SEA ABSOLUTAMENTE NECESARIO.** Usar el cable de extensión equivocado, dañado o con cableado inadecuado podría resultar en un riesgo de incendio o descarga eléctrica. Si debe usar un cable de extensión, conecte el cargador a un cable de extensión largo o de calibre 16 adecuadamente conectado con puntas que sean del mismo número, tamaño y forma que las puntas del cargador. Asegúrese de que el cable de extensión esté en buenas condiciones eléctricas.
- 37) **USE ÚNICAMENTE LOS ACCESORIOS RECOMENDADOS.** El uso de un accesorio no recomendado o vendido por el fabricante del cargador o de la batería podría resultar en un riesgo de incendio, descarga eléctrica o lesiones personales.
- 38) **DESCONECTE EL CARGADOR** cuando no esté en uso. Retire las baterías de los cargadores desconectados.
- 39) **PARA REDUCIR EL RIESGO DE UNA DESCARGA ELÉCTRICA,** siempre desconecte el cargador antes de limpiarlo o dar mantenimiento. Use un interruptor de circuito por pérdida a tierra (GFCI) para reducir los riesgos de descarga eléctrica.
- 40) **ALMACENE SU BATERÍA Y EL CARGADOR** en un lugar fresco y seco. No almacene la batería donde la temperatura pudiera exceder 120°F (50°C) tal como en la luz solar directa, un vehículo o edificio de metal durante el verano.

ESPECIFICACIONES

Cat. No.	2950-20
Entrada volts	120 AC
Entrada amperios	1,8 AC
Salida volts*	18 DC
Salida amperios*	3,5 DC
Tipo de batería	M18™
Tipo de cargador	M18™
Temperatura recomendada para operar	
Batería y cargador	5°C a 40°C (40°F a 104°F)
Batería y herramienta	-10°C a 40°C (14°F a 104°F)

*La radio se puede utilizar en climas tropicales o templados

TIERRA

Radios de doble aislamiento: Radios con enchufes de dos puntas

Los radios con la marca "doble aislamiento" no requieren conexión a tierra. Estos tienen un sistema de doble aislamiento que cumple con los requerimientos de OSHA y cumple con las normas aplicables de Underwriters Laboratories, Inc., la Asociación Canadiense de Estándares y el Código Nacional de Electricidad. Los radios con doble aislamiento pueden usarse en cualquiera de los tomacorrientes de 120 voltios que se muestran en las Figuras A y B.

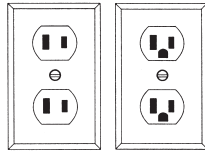


Fig. A Fig. B

EXTENSIONES ELÉCTRICAS

Las herramientas que deben conectarse a tierra cuentan con clavijas de tres patas y requieren que las extensiones que se utilicen con ellas sean también de tres cables. Las herramientas con doble aislamiento y clavijas de dos patas pueden utilizarse indistintamente con extensiones de dos a tres cables. El calibre de la extensión depende de la distancia que exista entre la toma de la corriente y el sitio donde se utilice la herramienta. El uso de extensiones inadecuadas puede causar serias caídas en el voltaje, resultando en pérdida de potencia y posible daño a la herramienta. La tabla que aquí se ilustra sirve de guía para la adecuada selección de la extensión. Mientras menor sea el número del calibre del cable, mayor será la capacidad del mismo. Por ejemplo, un cable calibre 14 puede transportar una corriente mayor que un cable calibre 16. Cuando use mas de una extensión para lograr el largo deseado, asegúrese que cada una tenga al menos, el mínimo tamaño de cable requerido. Si está usando un cable de extensión para mas de una herramienta, sume los amperes de las varias placas y use la suma para determinar el tamaño mínimo del cable de extensión.

Guías para el uso de cables de extensión

- Si está usando un cable de extensión en sitios al aire libre, asegúrese que está marcado con el sufijo "W-A" ("W" en Canadá) el cual indica que puede ser usado al aire libre.
- Asegúrese que su cable de extensión está correctamente cableado y en buenas condiciones eléctricas. Cambie siempre una extensión dañada o hágala reparar por una persona calificada antes de volver a usarla.
- Proteja su extensión eléctrica de objetos cortantes, calor excesivo o áreas mojadas.
- Desenchufe todas las extensiones eléctricas durante las tormentas eléctricas o cuando no piense usarlas por mucho tiempo.

Calibre mínimo recomendado para cables de extensiones eléctricas*

Amperios (En la placa)	Largo de cable de Extensión en (m)				
	7,6	15,2	22,9	30,5	45,7
0 - 2,0	18	18	18	18	16
2,1 - 3,4	18	18	18	16	14
3,5 - 5,0	18	18	16	14	12
5,1 - 7,0	18	16	14	12	12
7,1 - 12,0	16	14	12	10	--
12,1 - 16,0	14	12	10	--	--
16,1 - 20,0	12	10	--	--	--

* Basado en limitar la caída en el voltaje a 5 volts al 150% de los amperios.



PRECAUCIÓN

RIESGO DE DESCARGA ELÉCTRICA NO ABRIR



PRECAUCIÓN: PARA REDUCIR EL RIESGO DE UNA DESCARGA ELÉCTRICA, NO quite la cubierta (NI LA TAPA TRASERA), EN EL INTERIOR NO HAY PIEZAS QUE EL USUARIO PUEDA REPARAR. ENVÍE A SERVICIO CON PERSONAL DE SERVICIO CALIFICADO.



El símbolo del rayo con punta de flecha dentro de un triángulo equilátero pretende alertar al usuario de la presencia de "voltaje peligroso" en el interior del producto que puede ser de magnitud suficiente para constituir un riesgo de descarga eléctrica para las personas.



El signo de exclamación dentro de un triángulo equilátero pretende alertar al usuario de la presencia de instrucciones importantes de operación y mantenimiento (servicio) contenidas en los materiales impresos que acompañan al aparato.

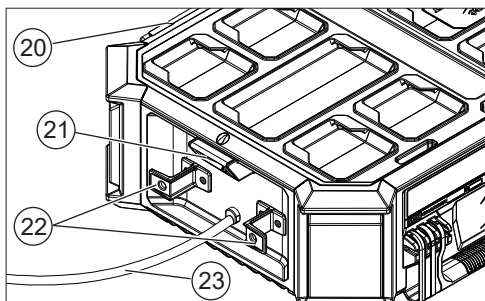
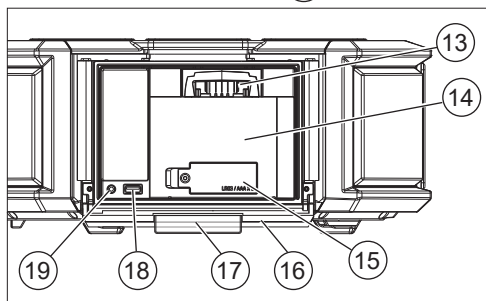
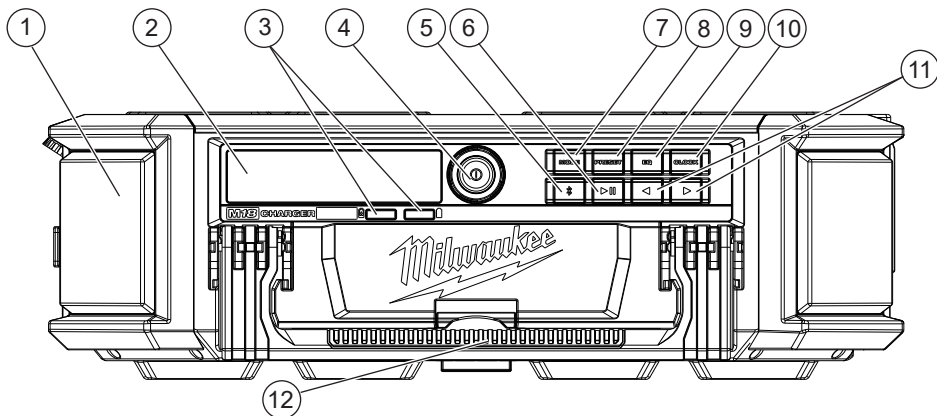
Comisión Federal de Comunicaciones

FC **ADVERTENCIA** Los cambios o modificaciones realizadas a esta unidad que no sean expresamente aprobados por la parte responsable del cumplimiento podrían anular la autorización del usuario para operar el equipo.

Este equipo ha sido probado y se ha encontrado que cumple con los límites de un dispositivo digital de Clase B, en cumplimiento con la parte 15 de las reglas de la FCC. Estos límites están diseñados para proporcionar protección razonable contra la interferencia nociva en una instalación residencial. Este equipo genera, usa y puede irradiar energía de radiofrecuencia y, si no se instala y se utiliza de acuerdo con las instrucciones, puede ocasionar interferencia nociva con las comunicaciones por radio. Sin embargo, no existe garantía de que no ocurrirá interferencia en una instalación en particular. Si este equipo ocasiona interferencia nociva con la recepción de radio o televisión que pueda determinarse encendiendo y apagando el equipo, se anima al usuario a intentar corregir la interferencia mediante una o más de las siguientes medidas:

- Reorientar o reubicar la antena receptora.
- Aumentar la distancia entre el equipo y el receptor.
- Conectar el equipo a un tomacorriente que esté en un circuito diferente a donde está conectado el receptor.
- Consulte al distribuidor o a un técnico experimentado de radio/TV para solicitar ayuda.

DESCRIPCION FUNCIONAL



1. Altavoces (4 esquinas y espalda)
2. Pantalla
3. Indicadores del cargador*
4. Encendido/apagado/control de volumen
5. Botón de Bluetooth
6. Botón de reproducir/pausa
7. Botón de MODO
8. Botón de PROGRAMACIÓN
9. Botón de ecualizador
10. Botón de RELOJ
11. Botones de búsqueda/ajuste
12. Mango
13. Contactos eléctricos
14. Compartimento de baterías
15. Compartimento de la batería de reserva
16. Batería/auxiliar cubierta del compartimento

17. Batería/auxiliar pestillo del compartimento
18. Tomacorriente con USB
19. Conexión AUX en estéreo
20. Antena
21. Destapador de botellas
22. Revestimiento del cable
23. Cable

* Indicadores del cargador

Cuando se inserta una batería en el cargador, los LED indicarán lo siguiente:

- Rojo continuo: Cargando
- Luz verde continua: Carga completa
- Rojo destellando: Batería demasiado caliente/fría -La carga comenzará cuando la batería alcance la temperatura de carga correcta.
- Destello rojo/verde: Batería dañada o defectuosa.

SIMBOLOGÍA

- Volts
- Corriente continua
- Corriente alterna
- Amperios
- Hertz
- Doble aislamiento. La herramienta no requiere puesta a tierra.

- Presencia de instrucciones de funcionamiento importantes.
- PRECAUCIÓN** Riesgo de choque eléctrico.
- Federal Communications Commission
- UL Listing Mark para Canadá y Estados Unidos

ENSAMBLAJE DEL RADIO

⚠ ADVERTENCIA Recargue la batería sólo con el cargador especificado para ella. Para instrucciones específicas sobre cómo cargar, lea el manual del operador suministrado con su cargador y la batería.


Encendido

El radio + cargador M18™ MILWAUKEE puede funcionar con paquetes de baterías de iones de litio M18™ MILWAUKEE o un tomacorriente de pared estándar. Cuando se conecta a un tomacorriente de pared, el compartimiento de baterías cargará las baterías de iones de litio M18™ MILWAUKEE (consulte Operación del cargador).

Cómo insertar/extraer una batería

1. Abra la cubierta del compartimiento de las baterías.
2. Para insertar la batería, deslícelo hacia dentro del compartimiento de baterías.
3. Para quitar la batería, jale la batería para sacarla del compartimiento.
4. Siempre cierre la cubierta del compartimiento de baterías cuando este no esté en uso.

Indicador de batería baja

Cuando el radio esté funcionando con un paquete de baterías y su carga sea menor al 10%, aparecerá el indicador de batería baja .

Protección de la batería

Para proteger la vida de la batería, el radio se apagará cuando la carga de la batería sea demasiado baja. Si esto ocurre, conecte el radio + cargador a un tomacorriente de 120 voltios y cargue la batería según la operación del cargador.

Instalación de un dispositivo auxiliar

Abra el compartimiento auxiliar para conectar un reproductor de MP3, reproductor de CD u otro dispositivos de audio usando el enchufe auxiliar de estéreo. Los dispositivos pequeños pueden almacenarse en el compartimiento durante su uso.

Tomacorriente con USB

Este tomacorriente puede usarse para cargar un teléfono celular, encender un reproductor de MP3 o cualquier otro dispositivo que use menos de 2,1 A de corriente eléctrica DC.

NOTA: Cualquier dispositivo que use más de 2,1 A de corriente eléctrica CC activará una sobrecarga de restablecimiento automático y deshabilitará el tomacorriente.

OPERACION DEL RADIO

⚠ ADVERTENCIA Para reducir el riesgo de lesiones, siempre quite la batería antes de cambiar o quitar accesorios. Use solamente accesorios específicamente recomendados para esta herramienta. El uso de otros puede resultar peligroso.

Para reducir el riesgo de incendio o choque eléctrico, no exponga esta radio a la lluvia ni a la humedad.

Ⓛ Encendido/apagado y control del volumen
Conecte el cable a un tomacorriente CA adecuado o instale una batería.

Mantenga pulsado el botón de control encendido/apagado/control de volumen **Ⓛ** hasta que la radio se encienda o apague. Aparece la estación de radio (frecuencia). Para mostrar la hora, presione el botón CLOCK (reloj). El volumen se restaura en el último ajuste.

NOTA: Cuando el radio/cargador esté funcionando con baterías, se disminuirá la intensidad de iluminación de la pantalla después de 5 minutos para reducir el uso de energía.

Gire el botón On/Off/Volumen control **Ⓛ** para aumentar o disminuir el volumen.

Ajuste del reloj

1. Presione y sostenga el botón CLOCK hasta que empiece a destellar la hora.
2. Use los botones ◀ y ▶ para cambiar la hora.
3. Presione de nuevo el botón CLOCK. Los minutos empezarán a destellar. Use los botones ◀ y ▶ para cambiar los minutos.
4. Presione de nuevo el botón CLOCK para guardar la hora.

Ajuste del ecualizador

Para ajustar manualmente el sonido de bajos/agudos, presione el botón EQ. Ajuste el sonido de los bajos girando el botón On/Off/Volumen control **Ⓛ**. Presione el botón EQ de nuevo para ajustar el sonido de los agudos girando el botón On/Off/Volumen control **Ⓛ**.

Selección de la banda

Presione el botón MODE para seleccionar Bluetooth, FM, AM o AUX.

Sintonización y búsqueda

Presione los botones ◀ y ▶ para desplazarse hacia arriba o abajo por la banda. Presione, sostenga y suelte los botones ◀ y ▶ para BUSCAR por la banda. Cuando encuentre una estación, la BUSQUEDA terminará.

PROGRAMAR ESTACIONES

Para ajustar las estaciones PROGRAMADAS:

1. Sintonice la estación deseada.
2. Presione y sostenga el botón PRESET (programación) hasta que empiece a destellar el indicador PRESET en la pantalla.
3. Use los botones ◀ y ▶ para seleccionar la ubicación de PROGRAMACIÓN para la estación. Hay nueve ubicaciones (1-9) están disponibles tanto para AM como para FM.
4. Presione el botón PRESET para guardar la ubicación. Para sintonizar una estación PROGRAMADA: Presione y suelte el botón PRESET para repasar las estaciones PROGRAMADAS.

Uso del conector AUX en estéreo.

1. Abra el compartimiento auxiliar
2. Conecte el dispositivo auxiliar en el conector AUX en estéreo.
3. Use el botón MODE para seleccionar AUX.
4. Encienda el dispositivo auxiliar.

✂ Uso de Bluetooth

Para ingresar al modo Bluetooth, presione el botón ✂ o presione el botón MODE para ciclar por Bluetooth.

Enlazado

• Si un dispositivo Bluetooth no está conectado, se iniciará automáticamente el enlazado de Bluetooth y el icono ✂ destellará en la pantalla.

• El radio continuará buscando una señal durante 3 minutos.

• Para emparejar manualmente un dispositivo, mantenga pulsado el botón bluetooth hasta que comience a intermitente rápido ✂.

• Mientras destella xx, seleccione "M18 PACKOUT RADIO" en el dispositivo habilitado con Bluetooth.

• Después de enlazar correctamente el dispositivo con el radio, aparecerá ✂ en la pantalla del radio.

Conexión

Para ingresar al modo Bluetooth, presione el botón **X** o presione el botón MODE para ciclar por Bluetooth. Cuando el radio ubica un dispositivo Bluetooth enlazado, la **X** dejará de parpadear.

Si la conexión se pierde entre el radio y el dispositivo Bluetooth, el radio intentará reconectarse automáticamente hasta por 3 minutos.

Control

Al transmitir música a través del radio mediante un dispositivo Bluetooth, use el botón **▶||** para iniciar y pausar la música. Use **◀** y **▶** para cambiar de pista.

OPERACIÓN DEL CARGADOR

⚠ADVERTENCIA Cargue únicamente baterías de iones de litio M18™ MILWAUKEE en el cargador de baterías de iones de litio MILWAUKEE. Otros tipos de baterías pueden causar lesiones personales o daños. La batería y el cargador no son compatibles con sistemas de tecnología V™ o NiCd.

Cuándo cargar las baterías de iones de litio MILWAUKEE

Quite la batería de la herramienta para cargarla cuando le resulte conveniente a usted y a su trabajo. Las baterías de iones de litio MILWAUKEE no desarrollan una "memoria" cuando se cargan después de solamente una descarga parcial. No es necesario descargar completamente la batería antes de colocarla en el cargador.

- Utilice el indicador de carga (en la herramienta o la batería) para determinar cuándo necesita cargar la batería de iones de litio de MILWAUKEE.
- Puede "cargar hasta el tope" la batería antes de comenzar una tarea importante o un día en el que se va a usar durante mucho tiempo.

Cómo cargar la batería

- Conecte el radio + cargador a un tomacorriente de 120 voltios. Las baterías no se cargarán si el radio + cargador no está conectado. Coloque la batería en el compartimiento deslizándolo desde la parte superior del mismo. La luz roja se encenderá, ya sea destellando (la batería está demasiado caliente o fría) o brillando continuamente (la batería se está cargando).
- Una batería completamente descargada se cargará en 30-185 minutos, según la batería.
 - Las baterías con ciclado frecuente pueden tardar más tiempo en cargarse por completo.
 - La luz del indicador de energía en la batería aparece mientras se está cargando, indicando cuánta carga tiene la batería.
 - Después de terminar la carga, la luz verde continua se encenderá y el indicador de energía se apagará.
 - El cargador mantendrá la batería completamente cargada si se deja en el cargador.
 - Si el indicador de luz destella rojo y verde, verifique que la batería esté completamente asentada en el compartimiento. Retire la batería y vuélvala a insertar. Si el problema continúa, comuníquese con un centro de servicio MILWAUKEE.
 - Si el indicador de luz no se enciende, verifique que la batería esté completamente asentada en el compartimiento. Retire la batería y vuélvala a insertar. Si el indicador de luz no se enciende, comuníquese con un centro de servicio MILWAUKEE.

Carga de una batería caliente o fría

La luz indicadora intermitente roja del cargador indica que la temperatura de la batería está fuera del

rango de carga. Una vez que la batería está dentro del rango de carga aceptable, se producirá la carga normal y la luz roja será continua. Si está caliente o fría, la batería puede tardar más tiempo en cargarse

Estado de carga de iones de litio

Temperatura del paquete de batería	Luz indicadora roja del cargador	Estado de carga
Demasiado caliente	Intermitente	No está cargando
Temperatura apropiada	Continua	Carga normal
Demasiado fría	Intermitente	No está cargando

MANTENIMIENTO

⚠ADVERTENCIA Para reducir el riesgo de una lesión, desconecte siempre la herramienta antes de darle cualquier mantenimiento. Nunca desarme la herramienta ni trate de hacer modificaciones en el sistema eléctrico de la misma. Acuda siempre a un Centro de Servicio MILWAUKEE para TODAS las reparaciones.

Mantenimiento y almacenamiento

Almacene el cargador en un lugar fresco y seco. Como recomendación general, es mejor desconectar los cargadores de baterías y quitar las baterías cuando no están en uso. Sin embargo, no se dañará la batería si el cargador y la batería se dejan conectados.

Cambio de baterías de reserva

⚠ADVERTENCIA Las baterías pueden tener fugas de químicos o pueden explotar si se usan de manera indebida. Deben tomarse las siguientes medidas de cuidado para evitar que ocurra dicho incidente:

- Asegúrese de que las terminales positiva (+) y negativa (-) de la batería estén correctamente colocadas.
 - No use una combinación de baterías nuevas y usadas ni combine diferentes tipos de baterías.
 - No intente recargar baterías no recargables. Si los químicos de las baterías tienen contacto con su piel, lávela inmediatamente con agua. Si los químicos se derraman en el radio, límpielo por completo.
- Asfisia. Mantenga las pilas alejadas de los niños.** Se necesitan 2 baterías AAA para conservar la programación de estaciones y la hora del reloj cuando se retira la batería y el radio está desconectado.
1. Retire la batería y desconecte el radio.
 2. Retire el tornillo y la cubierta de las baterías.
 3. Inserte dos (2) baterías AAA según las marcas positiva (+) y negativa (-) correspondientes.
 4. Vuelva a colocar la cubierta de las baterías y el tornillo.
 5. Deseche siempre las pilas usadas correctamente.

⚠ADVERTENCIA Para reducir el riesgo de incendio, lesiones personales y daños al producto debido a un cortocircuito, no sumerja nunca la herramienta, el paquete de baterías o el cargador en líquido ni permita que fluya un fluido dentro de ellos. Los fluidos corrosivos o conductivos, como el agua de mar, ciertos productos químicos industriales y blanqueadores o lejías que contienen, etc., pueden causar un cortocircuito.

Limpeza

Limpe el polvo y basura de las ventilas del cargador y los contactos eléctricos sopleando con aire comprimido. Use solo jabón suave y un paño húmedo

para limpiar la batería y el cargador, evitando tocar todos los contactos eléctricos. Ciertos agentes y solventes de limpieza pueden dañar el plástico y otras partes aisladas. Algunos de estos incluyen la gasolina, aguarrás, adelgazador de barniz, adelgazador de pintura, solventes de limpieza con cloro, amoníaco y detergentes caseros que contienen amoníaco. Nunca use solventes inflamables ni combustibles alrededor de las baterías, cargador o herramientas.

Reparaciones

Si su herramienta, batería o cargador están dañados, envíela al centro de servicio más cercano.

ACCESORIOS

⚠️ ADVERTENCIA Utilice sólo los accesorios específicamente recomendados. Otros accesorios puede ser peligroso.

Para una lista completa de accesorios, visite nuestro sitio en Internet: www.milwaukeetool.com o póngase en contacto con un distribuidor.

SOPORTE DE SERVICIO - MEXICO

CENTRO DE ATENCION A CLIENTES

Techtronic Industries Mexico, S.A. de C.V.

Av. Presidente Masarik 29 Piso 7

11560 Polanco V Seccion

Miguel Hidalgo, Distrito Federal, México

01 (800) 030-7777 o (55) 4160-3540

Lunes a Viernes (9am a 6pm)

O contáctanos en www.milwaukeetool.com.mx

GARANTÍA LIMITADA - E.U.A. Y CANADÁ

Cada herramienta eléctrica de MILWAUKEE (ver excepciones a continuación) está garantizada para el comprador original únicamente de que no tenga material o mano de obra defectuosos. Sujeto a ciertas excepciones, MILWAUKEE reemplazará o reparará cualquier parte de una herramienta eléctrica que sufra defectos de material o mano de obra según lo determine MILWAUKEE mediante una revisión, por un periodo de cinco (5) años** después de la fecha de compra a menos que se indique lo contrario. Al devolver la herramienta eléctrica a un Centro de Servicio de la fábrica de MILWAUKEE o a una Estación de Servicio Autorizada de MILWAUKEE, se requiere que el flete esté pagado por adelantado y asegurado. Se debe incluir una copia del comprobante de compra con el producto devuelto. Esta garantía no aplica a daños que MILWAUKEE determine que son ocasionados por reparaciones o intentos de reparaciones realizados por una persona que no sea personal autorizado de MILWAUKEE, uso indebido, alteraciones, maltrato, desgaste normal, falta de mantenimiento o accidentes.

Desgaste normal: Muchas herramientas eléctricas necesitan un reemplazo periódico de partes y servicio para lograr el mejor desempeño. Esta garantía no cubre la reparación cuando el uso normal ha agotado la vida de una parte, incluyendo sin limitar a mandriles, cepillos, cables, zapatas de la sierra, abrazaderas de la hoja, anillos en O, sellos, protectores, hojas de desatornilladores, pistones, herrajes, leñadores y arandelas de cubierta de los protectores.

*Esta garantía no cubre clavadoras y grapadoras neumáticas, pistola de pintura a presión, baterías inalámbricas, generadores de energía portátil de gasolina, herramientas de mano, palanca y cadena de mano de polipasto - eléctricas, indumentaria calefaccionada M12™, producto reacondicionado y productos de prueba y medición. Existen garantías por separado y distintas disponibles para estos productos.

**El periodo de garantía para los radios para obra, puero y carretillas de trabajo industrial Trade Titan™ es de un (1) año a partir de la fecha de compra. El periodo de garantía para los cables de limpieza de drenaje y AIRSNAKE™ los accesorios de pistola de aire de limpieza de drenaje es de dos (2) años a partir de la fecha de compra. El periodo de garantía de la Pistola de calor compacta M18™ de la Extractor de polvo de 3 galones, y M18™ enmarcar clavadoras es de tres (3) años a partir de la fecha de compra. El periodo de garantía de las lámparas de LED en la Lámpara de trabajo LED y el Bulbo mejorado de LED para la Luz de trabajo es por la vida del producto sujeto a las limitaciones anteriores. Si durante el uso normal el LED o Bulbo de LED falla, la parte será reemplazada sin cargo.

No se requiere el registro de la garantía para obtener la garantía correspondiente a un producto de herramienta eléctrica de MILWAUKEE. La fecha de manufactura del producto se utilizará para determinar el periodo de garantía si no se proporciona comprobante de compra al solicitar el servicio de garantía.

LA ACEPTACIÓN DE LOS REMEDIOS EXCLUSIVOS DE REPARACIÓN Y REEMPLAZO AQUÍ DESCRITOS ES UNA CONDICIÓN

DEL CONTRATO PARA LA COMPRA DE TODO PRODUCTO DE MILWAUKEE. SI USTED NO ACEPTA ESTA CONDICIÓN, NO DEBE COMPRAR EL PRODUCTO. MILWAUKEE NO SERÁ RESPONSABLE EN NINGÚN CASO DE DAÑOS INCIDENTALES, ESPECIALES, EMERGENTES O PUNITIVOS NI DE NINGÚN COSTO, HONORARIOS LEGALES, GASTOS, PÉRDIDAS O DEMORAS ALEGADAS COMO CONSECUENCIA DE ALGUN DAÑO, FALLA O DEFECTO EN NINGÚN PRODUCTO, INCLUYENDO, ENTRE OTROS, RECLAMACIONES POR PÉRDIDA DE UTILIDADES. ALGUNOS ESTADOS NO PERMITEN LA EXCLUSIÓN O LIMITACIÓN DE RESPONSABILIDAD POR DAÑOS INCIDENTALES O EMERGENTES, POR LO QUE LA ANTERIOR LIMITACIÓN O EXCLUSIÓN PODRÍA NO APLICARSE EN SU CASO. ESTA GARANTÍA ES EXCLUSIVA Y REEMPLAZA TODAS LAS DEMÁS GARANTÍAS EXPRESAS, ESCRITAS U ORALES. EN LA MEDIDA EN QUE LO PERMITA LA LEY, MILWAUKEE DESCONOCE CUALQUIER GARANTÍA IMPLÍCITA, INCLUYENDO SIN LIMITACIÓN CUALQUIER GARANTÍA IMPLÍCITA DE COMERCIABILIDAD O IDONEIDAD PARA UN FIN O USO ESPECÍFICO; EN LA MEDIDA EN QUE DICHO DESCONOCIMIENTO NO SEA PERMITIDO POR LA LEY, DICHAS GARANTÍAS IMPLÍCITAS SE LIMITAN A LA DURACIÓN DE LA GARANTÍA EXPRESA CORRESPONDIENTE SEGÚN SE DESCRIBIÓ ANTERIORMENTE. ALGUNOS ESTADOS NO PERMITEN LIMITACIONES SOBRE LA DURACIÓN DE UNA GARANTÍA IMPLÍCITA, POR LO QUE LA ANTERIOR LIMITACIÓN PODRÍA NO APLICARSE A USTED. ESTA GARANTÍA LE DA DERECHOS LEGALES ESPECÍFICOS Y USTED PODRÍA ADEMÁS TENER OTROS DERECHOS QUE VARIAN DE UN ESTADO A OTRO.

Esta garantía aplica al producto vendido en los Estados Unidos y Canadá únicamente.

Consulte la "Búsqueda de centro de servicio" en la sección de Partes y servicio del sitio web de MILWAUKEE en www.milwaukeetool.com o llame al 1.800.SAWDUST (1.800.729.3878) para localizar su centro de servicio más cercano para darle servicio con y sin garantía a una herramienta eléctrica de Milwaukee.

PÓLIZA DE GARANTÍA - VALIDA SOLO PARA MEXICO, AMERICA CENTRAL Y EL CARIBE

La garantía de TECHTRONIC INDUSTRIES es por 5 años a partir de la fecha original de compra.

Esta tarjeta de garantía cubre cualquier defecto de material y mano de obra en ese Producto.

Para hacer válida esta garantía, presente esta tarjeta de garantía, cerrada/sellada por el distribuidor o la tienda donde compró el producto, al Centro de Servicio Autorizado (ASC). O, si esta tarjeta no se ha cerrado/sellado, presente la prueba original de compra a ASC. Llame 55 4160-3547 para encontrar el ASC más cercano, para servicio, partes, accesorios o componentes.

Procedimiento para hacer válida esta garantía

Lleve el producto a ASC, junto con la tarjeta de garantía cerrada/sellada por el distribuidor o la tienda donde compró el producto, y cualquier pieza o componente defectuoso se reemplazará sin costo para usted. Cubriremos todos los costos de flete con relación a este proceso de garantía

Excepciones

Esta garantía no tendrá validez en las siguientes situaciones:

- Cuando el producto se use de manera distinta a la que indica el manual del usuario final o de instrucciones.
- Cuando las condiciones de uso no sean normales.
- Cuando otras personas no autorizadas por TECHTRONIC INDUSTRIES modifiquen o reparen el producto.

Nota: si el juego de cables está dañado, tiene que reemplazarse en un Centro de Servicio Autorizado para evitar riesgos eléctricos.

CENTRO DE SERVICIO Y ATENCIÓN

Llame al 55 4160-3547

IMPORTADO Y COMERCIALIZADO POR

TECHTRONIC INDUSTRIES, MÉXICO, S.A. DE C.V.

Miguel de Cervantes Saavedra No.301 Piso 5, Torre Norte

11520 Colonia Ampliación Granada

Miguel Hidalgo, Ciudad de México, México

Modelo: _____

Fecha de Compra: _____

Sello del Distribuidor: _____

MILWAUKEE TOOL
13135 West Lisbon Road
Brookfield, WI 53005 USA

581401442d
09/19

01611900101Q-02(A)
Printed in China