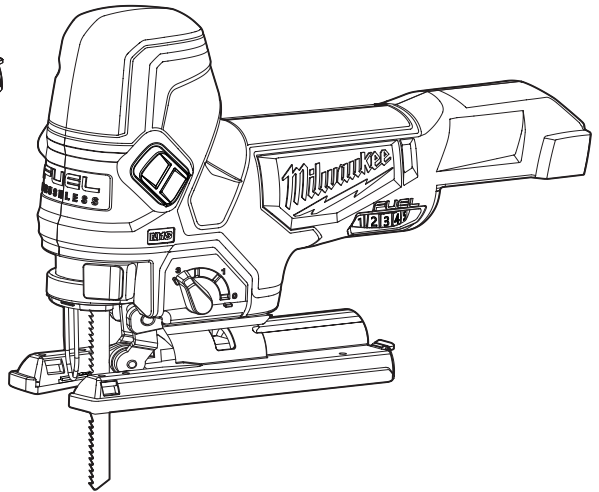
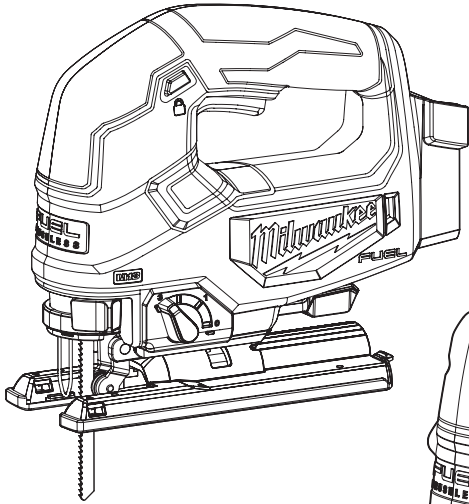




OPERATOR'S MANUAL
MANUEL de L'UTILISATEUR
MANUAL del OPERADOR



Cat. No. / No de cat.
2737-20, 2737B-20

M18 FUEL™ JIG SAWS
SCIES SAUTEUSES M18 FUEL™
SIERRAS CALADORAS DE M18 FUEL™



WARNING To reduce the risk of injury, user must read and understand operator's manual.

AVERTISSEMENT Afin de réduire le risque de blessures, l'utilisateur doit lire et bien comprendre le manuel.

ADVERTENCIA Para reducir el riesgo de lesiones, el usuario debe leer y entender el manual.

GENERAL POWER TOOL SAFETY WARNINGS

WARNING Read all safety warnings, instructions, illustrations and specifications provided with this power tool. Failure to follow all instructions listed below may result in electric shock, fire and/or serious injury. **Save all warnings and instructions for future reference.** The term "power tool" in the warnings refers to your mains-operated (corded) power tool or battery-operated (cordless) power tool.

WORK AREA SAFETY

- **Keep work area clean and well lit.** Cluttered or dark areas invite accidents.
- **Do not operate power tools in explosive atmospheres, such as in the presence of flammable liquids, gases or dust.** Power tools create sparks which may ignite the dust or fumes.
- **Keep children and bystanders away while operating a power tool.** Distractions can cause you to lose control.

ELECTRICAL SAFETY

- **Power tool plugs must match the outlet. Never modify the plug in any way. Do not use any adapter plugs with earthed (grounded) power tools.** Unmodified plugs and matching outlets will reduce risk of electric shock.
- **Avoid body contact with earthed or grounded surfaces, such as pipes, radiators, ranges and refrigerators.** There is an increased risk of electric shock if your body is earthed or grounded.
- **Do not expose power tools to rain or wet conditions.** Water entering a power tool will increase the risk of electric shock.
- **Do not abuse the cord. Never use the cord for carrying, pulling or unplugging the power tool. Keep cord away from heat, oil, sharp edges or moving parts.** Damaged or entangled cords increase the risk of electric shock.
- **When operating a power tool outdoors, use an extension cord suitable for outdoor use.** Use of a cord suitable for outdoor use reduces the risk of electric shock.
- **If operating a power tool in a damp location is unavoidable, use a ground fault circuit interrupter (GFCI) protected supply.** Use of an GFCI reduces the risk of electric shock.

PERSONAL SAFETY

- **Stay alert, watch what you are doing and use common sense when operating a power tool. Do not use a power tool while you are tired or under the influence of drugs, alcohol or medication.** A moment of inattention while operating power tools may result in serious personal injury.
- **Use personal protective equipment. Always wear eye protection.** Protective equipment such as a dust mask, non-skid safety shoes, hard hat or hearing protection used for appropriate conditions will reduce personal injuries.
- **Prevent unintentional starting. Ensure the switch is in the off-position before connecting to power source and/or battery pack, picking up or carrying the tool.** Carrying power tools with your finger on the switch or energizing power tools that have the switch on invites accidents.
- **Remove any adjusting key or wrench before turning the power tool on.** A wrench or a key left attached to a rotating part of the power tool may result in personal injury.

- **Do not overreach. Keep proper footing and balance at all times.** This enables better control of the power tool in unexpected situations.
- **Dress properly. Do not wear loose clothing or jewelry. Keep your hair and clothing away from moving parts.** Loose clothes, jewelry or long hair can be caught in moving parts.
- **If devices are provided for the connection of dust extraction and collection facilities, ensure these are connected and properly used.** Use of dust collection can reduce dust-related hazards.
- **Do not let familiarity gained from frequent use of tools allow you to become complacent and ignore tool safety principles.** A careless action can cause severe injury within a fraction of a second.

POWER TOOL USE AND CARE

- **Do not force the power tool. Use the correct power tool for your application.** The correct power tool will do the job better and safer at the rate for which it was designed.
- **Do not use the power tool if the switch does not turn it on and off.** Any power tool that cannot be controlled with the switch is dangerous and must be repaired.
- **Disconnect the plug from the power source and/ or remove the battery pack, if detachable, from the power tool before making any adjustments, changing accessories, or storing power tools.** Such preventive safety measures reduce the risk of starting the power tool accidentally.
- **Store idle power tools out of the reach of children and do not allow persons unfamiliar with the power tool or these instructions to operate the power tool.** Power tools are dangerous in the hands of untrained users.
- **Maintain power tools and accessories. Check for misalignment or binding of moving parts, breakage of parts and any other condition that may affect the power tool's operation. If damaged, have the power tool repaired before use.** Many accidents are caused by poorly maintained power tools.
- **Keep cutting tools sharp and clean.** Properly maintained cutting tools with sharp cutting edges are less likely to bind and are easier to control.
- **Use the power tool, accessories and tool bits etc. in accordance with these instructions, taking into account the working conditions and the work to be performed.** Use of the power tool for operations different from those intended could result in a hazardous situation.
- **Keep handles and grasping surfaces dry, clean and free from oil and grease.** Slippery handles and grasping surfaces do not allow for safe handling and control of the tool in unexpected situations.

BATTERY TOOL USE AND CARE

- **Recharge only with the charger specified by the manufacturer.** A charger that is suitable for one type of battery pack may create a risk of fire when used with another battery pack.
- **Use power tools only with specifically designated battery packs.** Use of any other battery packs may create a risk of injury and fire.
- **When battery pack is not in use, keep it away from other metal objects, like paper clips, coins, keys, nails, screws or other small metal objects, that can make a connection from one terminal to another.** Shorting the battery terminals together may cause burns or a fire.
- **Under abusive conditions, liquid may be ejected from the battery; avoid contact. If contact accidentally occurs, flush with water. If liquid contacts eyes, additionally seek medical help.** Liquid ejected from the battery may cause irritation or burns.

- Do not use a battery pack or tool that is damaged or modified. Damaged or modified batteries may exhibit unpredictable behavior resulting in fire, explosion or risk of injury.
- Do not expose a battery pack or tool to fire or excessive temperature. Exposure to fire or temperature above 265°F (130°C) may cause explosion.
- Follow all charging instructions and do not charge the battery pack or tool outside the temperature range specified in the instructions. Charging improperly or at temperatures outside the specified range may damage the battery and increase the risk of fire.

SERVICE

- Have your power tool serviced by a qualified repair person using only identical replacement parts. This will ensure that the safety of the power tool is maintained.
- Never service damaged battery packs. Service of battery packs should only be performed by the manufacturer or authorized service providers.

SPECIFIC SAFETY RULES FOR JIG SAWS

- Hold power tool by insulated gripping surfaces, when performing an operation where the cutting accessory may contact hidden wiring. Cutting accessory contacting a "live" wire may make exposed metal parts of the power tool "live" and could give the operator an electric shock.
- Use clamps or another practical way to secure and support the workpiece to a stable platform. Holding the work by hand or against your body leaves it unstable and may lead to loss of control.
- Keep hands away from all cutting edges and moving parts.

- **AWARNING** To reduce the risk of injury, when working in dusty situations, wear appropriate respiratory protection or use an OSHA compliant dust extraction solution.
- Always use common sense and be cautious when using tools. It is not possible to anticipate every situation that could result in a dangerous outcome. Do not use this tool if you do not understand these operating instructions or you feel the work is beyond your capability; contact Milwaukee Tool or a trained professional for additional information or training.
- Maintain labels and nameplates. These carry important information. If unreadable or missing, contact a MILWAUKEE service facility for a free replacement.

- **AWARNING** Some dust created by power sanding, sawing, grinding, drilling, and other construction activities contains chemicals known to cause cancer, birth defects or other reproductive harm. Some examples of these chemicals are:
 - lead from lead-based paint
 - crystalline silica from bricks and cement and other masonry products, and
 - arsenic and chromium from chemically-treated lumber.
 Your risk from these exposures varies, depending on how often you do this type of work. To reduce your exposure to these chemicals: work in a well ventilated area, and work with approved safety equipment, such as those dust masks that are specially designed to filter out microscopic particles.

SYMBOLOLOGY



Volts



Direct Current

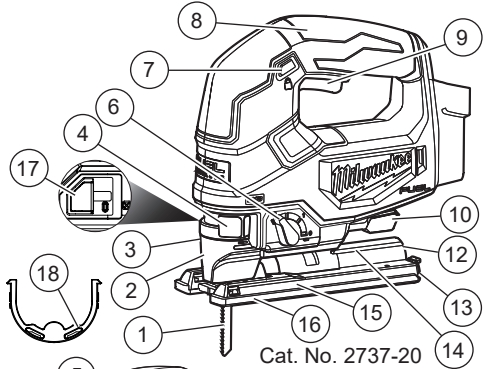
n_0 XXXX min⁻¹

No Load Strokes per Minute (SPM)

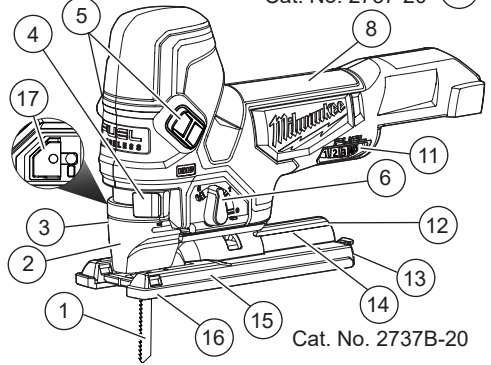


UL Listing for Canada and U.S.

FUNCTIONAL DESCRIPTION



Cat. No. 2737-20



Cat. No. 2737B-20

- | | |
|----------------------------------|---------------------------|
| 1. Blade | 10. Shoe adjustment lever |
| 2. Transparent blade cover | 11. Variable speed dial |
| 3. LED | 12. Dust chute |
| 4. Quik-Lok tension lever | 13. Wrench/wrench storage |
| 5. ON/OFF slide switches | 14. Tilt angle scale |
| 6. Orbital action selector lever | 15. Shoe |
| 7. Lock button | 16. Shoe cover |
| 8. Handle | 17. Blower shuttle |
| 9. Trigger | 18. LED cover |

SPECIFICATIONS

Volts.....	18 DC
Battery Type.....	M18™
Charger Type.....	M18™
Recommended Ambient Operating Temperature.....	0°F to 125°F
Cat. No.	2737-20
No Load Strokes per Minute.....	0 - 3500
Length of Stroke.....	1"
Cat. No.	2737B-20
No Load Strokes per Minute.....	800 - 3500
Length of Stroke.....	1"

ASSEMBLY

WARNING Recharge only with the charger specified for the battery. For specific charging instructions, read the operator's manual supplied with your charger and battery.

Removing/Inserting the Battery

To **remove** the battery, push in the release buttons and pull the battery pack away from the tool.

WARNING Always remove battery pack before changing or removing accessories.

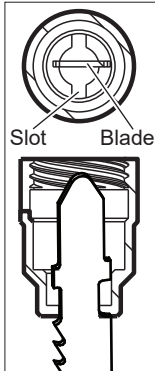
To **insert** the battery, slide the pack into the body of the tool. Make sure it latches securely into place.

WARNING Only use accessories specifically recommended for this tool. Others may be hazardous.

Installing Saw Blades

Use only T-Shank jig saw blades.

1. Remove the battery pack.
2. Push and hold the Quik-Lok tension lever to right to line up the slots.
3. Fit the saw blade into the groove in the support roller and push it firmly into the plunger as far as it will go; the lug of the saw blade must be in the plunger.
4. Release the Quik-Lok tension lever to secure the saw blade.
5. Check that the saw blade is held firmly; the slot in the plunger will be at an angle to the blade.
6. To **remove** the blade, push the lever to the right and the blade will be ejected.



Installing the Transparent Blade Cover

Do not use the transparent blade cover and anti-splinter device when making bevel/angle cuts.

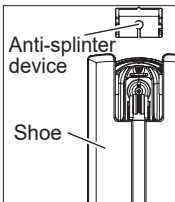
1. Remove the battery pack.
2. To **install**, place the transparent blade cover in front of the blade and slide it into place. The tabs will snap into the slots on the housing.
3. To **remove**, press in the sides of the transparent blade cover and pull away from the blade.

Installing the Anti-Splinter Device

The anti-splinter device helps stabilize the workpiece and reduce workpiece splinter.

NOTE: Do not use the transparent blade cover and anti-splinter device when making bevel/angle cuts.

1. Remove the battery pack.
2. Slide the anti-splinter device onto the shoe. Make sure the anti-splinter device is installed flush with the bottom of the shoe.



Installing the Shoe Cover

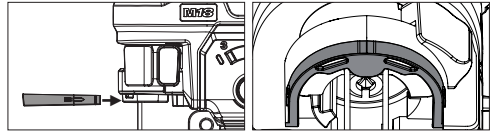
The shoe cover is used to prevent marring and scratching of the workpiece surface. To attach the shoe cover:

1. Remove the battery pack.
2. Hook the front of the cover over the steel shoe.
3. Snap the rear of the shoe cover over the back of the shoe. Be sure both sides are snapped in place.
4. When the shoe cover is not needed, remove it by pulling the tabs on rear of the shoe cover down. Unhook the front of the shoe cover and remove.

Installing the LED Cover

The LED cover is used to shield the LED when the tool is used in certain applications.

1. Remove the battery pack.



2. Slide the cover onto the tool in the orientation shown until it clips in place.
3. To remove, pull out the legs and away from tool.

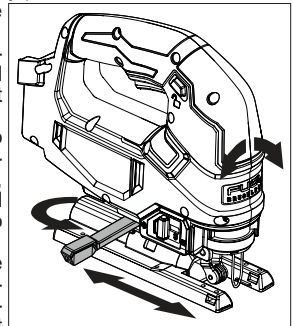
Adjusting the Shoe

The shoe may be tilted up to 45° in either direction. **NOTE:** Do not use the transparent blade cover and anti-splinter device when making bevel/angle cuts.

To set a tilt angle for bevel/angle cuts:

(Cat. No. 2737-20)

1. Remove the battery pack.
2. Loosen the shoe adjustment lever.
3. Pull the base forward slightly until the detents are not engaged.
4. Tilt the shoe to the required pre-set angle (0°, 15°, 30°, or 45°) and push the shoe into the detent.
5. To set an angle other than the pre-sets, set the desired angle without engaging a detent.

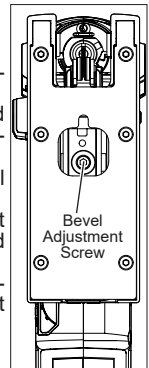


6. Tighten the shoe adjustment lever.
 7. Make a test cut to verify the angle.
- NOTE:** If the shoe begins to slip when the lever is tightened, use the 4 mm hex wrench stored in the shoe to tighten the shoe adjustment hex sockets. Remove the shoe cover, turn the tool over, and tighten the hex sockets securely.

(Cat. No. 2737B-20)

NOTE: Do not attempt bevel cut with battery packs larger than 5.0Ah. Battery packs larger than 5.0Ah could result in the battery striking the workpiece during the cut.

1. Remove the battery pack.
2. Remove the shoe cover.
3. Turn the tool upside down to expose the bottom of the shoe.
4. Using the 4 mm hex wrench stored in the shoe, loosen the bevel adjustment screw.
5. Pull the base forward slightly until the detents are not engaged.
6. Tilt the shoe to the required pre-set angle (0°, 15°, 30°, or 45°) and push the shoe into the detent.
7. To set an angle other than the pre-sets, set the desired angle without engaging a detent.
8. Tighten the screw securely.
9. Make a test cut to verify the angle.



Selecting Speed

Use lower speeds for materials such as plastics and laminates. Also, use lower speeds for hard metals. Use higher speeds for materials such as wood and soft metals (aluminum, copper, brass, etc.).

(Cat. No. 2737-20)

To vary the speed, increase or decrease pressure on the trigger. The further the trigger is pulled, the greater the speed.

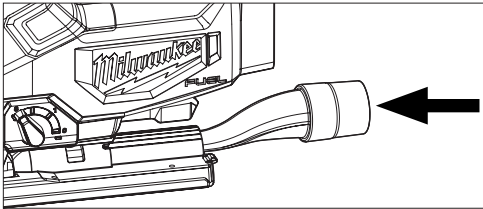
(Cat. No. 2737B-20)

Rotate the speed selector dial to the desired speed (1 through 6). Select "A" for Auto-Controlled Start to start out at 1500 SPM and ramps up to 3500 SPM once the workpiece is contacted.

⚠ WARNING To reduce the risk of injury, wear a dust mask or use an OSHA compliant dust extraction solution when working in dusty situations.

Dust Collection Attachment

NOTE: For the 2737B-20, the Dust Collection Attachment cannot be used with battery packs larger than 5.0Ah.



1. Remove the battery pack.
2. To **install**, line-up the small end of the dust collection attachment with the curved area at the back of the shoe. Slide into place.
3. To **remove**, pull the attachment away from saw.

Blower shuttle

Set the blower shuttle to to blow air out the front of the jig saw to clear the cutting line of dust. Set the blower shuttle to to blow air out the dust chute when using a dust extraction solution.

OPERATION

⚠ WARNING Always remove battery pack before changing or removing accessories. Only use accessories specifically recommended for this tool. Others may be hazardous.

⚠ WARNING To reduce the risk of injury, always wear proper eye protection marked to comply with ANSI Z87.1.

To reduce the risk of injury, be sure the blade always extends beyond the shoe and workpiece throughout the stroke. Blades may shatter if they impact the workpiece.

Starting and Stopping the Tool

(Cat. No. 2737-20)

1. To **start** the tool, grasp the handle firmly and pull the trigger.
2. To **vary** the speed, increase or decrease pressure on the trigger. The further the trigger is pulled, the greater the speed.
3. To **stop** the tool, release the trigger. Allow the tool to come to a complete stop before removing the blade from a partial cut or laying the tool down.

(Cat. No. 2737B-20)

1. Set the speed control dial to the desired speed.
2. To **start** the tool, push the slide switch forward until tool starts and release.
2. To **vary** the speed, turn the variable speed dial.
3. To **stop** the tool, press the slide switch and release. Allow the tool to come to a complete stop before removing the blade from a partial cut or laying the tool down.

NOTE: If the switch is held on for more than 3 seconds, the tool will shut off.

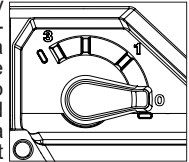
Locking the Trigger

(Cat. No. 2737-20)

To **lock** the trigger, push the trigger lock from the lock side of the tool. The trigger will not work while the switch is in the locked position. Always lock the trigger and remove the battery pack before performing maintenance and changing accessories. Lock the trigger when storing the tool and when the tool is not in use. To **unlock** the trigger, push the trigger lock from the unlock side of the tool.

Adjusting the Orbital Action

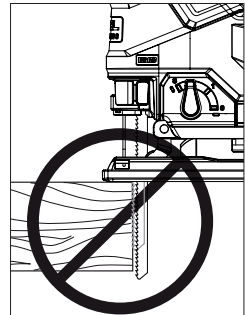
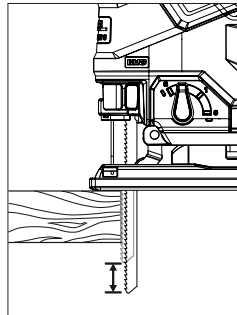
The amount of orbital action may be adjusted with the orbital action selector lever. In general, a large orbital action (3) should be used with soft materials and a no orbital action (0) should be used with hard materials. When a smooth cut is required, no orbit (0) should be used.



Material	Orbital Action
Wood	0-3
Metal	0-1
Aluminum	0-1
Plastic	0-2
Smooth Cut	0

⚠ WARNING To reduce the risk of injury, do not start the tool with the blade contacting the workpiece.

To reduce the risk of injury, be sure the blade always extends beyond the shoe and workpiece throughout the stroke. Blades may shatter if they impact the workpiece.



Making the Cut

1. Set the orbital action according to the material to be cut.
2. Position the tool with the front part of the shoe on the workpiece and start the tool.
3. Hold the shoe firmly against the workpiece and guide the tool along the desired cutting line. Do not feed into the work too hard, light pressure on the saw blade will achieve the optimum cutting speed.

Special Cutting Techniques

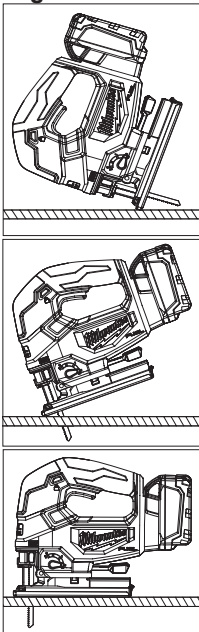
1. *Straight cuts* — To obtain a perfectly straight cut, clamp a strip of wood as a guide along the workpiece or use the rip guide (accessory).
2. *Bevel cuts* — adjust the shoe to the correct angle (see Adjusting the Shoe).
3. *Cutting Sheet Metal* — sheet metal may vibrate when being cut. To minimize vibration clamp, the workpiece to a wood base.

⚠WARNING To reduce the risk of explosion, electric shock and property damage, always check the work area for hidden gas pipes, electrical wires or water pipes when making blind or plunge cuts.

Plunge Cutting

Plunge cuts can be made into soft materials without a pre-drilled hole. Harder materials require a starter hole with a diameter slightly over the width of the blade. To make a plunge cut:

1. Set the orbital action selector lever to 0.
2. Make sure nothing below the intended cut area will be damaged.
3. Without turning the tool on, place the front edge of the shoe solidly on workpiece.
4. Align the blade with the intended cut line, but keep it above the workpiece.
5. Using the front edge of the shoe as a pivot, turn on the tool and gradually lower the blade into the workpiece.
6. When the shoe is flat against the workpiece, normal cutting may take place.



MAINTENANCE

⚠WARNING To reduce the risk of injury, always unplug the charger and remove the battery pack from the charger or tool before performing any maintenance. Never disassemble the tool, battery pack or charger. Contact a MILWAUKEE service facility for ALL repairs.

Maintaining Tool

Keep your tool, battery pack and charger in good repair by adopting a regular maintenance program. Inspect your tool for issues such as undue noise, misalignment or binding of moving parts, breakage of parts, or any other condition that may affect the tool operation. Return the tool, battery pack, and charger

to a MILWAUKEE service facility for repair. After six months to one year, depending on use, return the tool, battery pack and charger to a MILWAUKEE service facility for inspection.

If the tool does not start or operate at full power with a fully charged battery pack, clean the contacts on the battery pack. If the tool still does not work properly, return the tool, charger and battery pack, to a MILWAUKEE service facility for repairs.

⚠WARNING To reduce the risk of personal injury and damage, never immerse your tool, battery pack or charger in liquid or allow a liquid to flow inside them.

Cleaning

Clean dust and debris from vents. Keep handles clean, dry and free of oil or grease. Use only mild soap and a damp cloth to clean, since certain cleaning agents and solvents are harmful to plastics and other insulated parts. Some of these include gasoline, turpentine, lacquer thinner, paint thinner, chlorinated cleaning solvents, ammonia and household detergents containing ammonia. Never use flammable or combustible solvents around tools.

Repairs

For repairs, return the tool, battery pack and charger to the nearest authorized service center.

ACCESSORIES

⚠WARNING Use only recommended accessories. Others may be hazardous.

For a complete listing of accessories, go online to www.milwaukeetool.com or contact a distributor.

SERVICE - UNITED STATES

1-800-SAWDUST (1.800.729.3878)

Monday-Friday, 7:00 AM - 6:30 PM CST

or visit www.milwaukeetool.com

Contact Corporate After Sales Service Technical Support with technical, service/repair, or warranty questions.

Email: metproductsupport@milwaukeetool.com

Become a Heavy Duty Club Member at www.milwaukeetool.com to receive important notifications regarding your tool purchases.

SERVICE - CANADA

Milwaukee Tool (Canada) Ltd

1.800.268.4015

Monday-Friday, 7:00 AM - 4:30 PM CST

or visit www.milwaukeetool.ca

LIMITED WARRANTY USA & CANADA

Every MILWAUKEE power tool* (see exceptions below) is warranted to the original purchaser only to be free from defects in material and workmanship. Subject to certain exceptions, MILWAUKEE will repair or replace any part on an electric power tool which, after examination, is determined by MILWAUKEE to be defective in material or workmanship for a period of five (5) years** after the date of purchase unless otherwise noted. Return of the power tool to a MILWAUKEE factory Service Center location or MILWAUKEE Authorized Service Station, freight prepaid and insured, is required. A copy of the proof of purchase should be included with the return product. This warranty does not apply to damage that MILWAUKEE determines to be from repairs made or attempted by anyone other than MILWAUKEE authorized personnel, misuse, alterations, abuse, normal wear and tear, lack of maintenance, or accidents.

Normal Wear: Many power tools need periodic parts replacement and service to achieve best performance. This warranty does not cover repair when normal use has exhausted the life of a part including, but not limited to, chucks, brushes, cords, saw shoes, blade clamps,

o-rings, seals, bumpers, driver blades, pistons, strikers, lifters, and bumper cover washers.

*This warranty does not cover Air Nailers & Staplers; Airless Paint Sprayer; Cordless Battery Packs; Gasoline Driven Portable Power Generators; Hand Tools; Hoist – Electric, Lever & Hand Chain; M12™ Heated Gear; Reconditioned Product; and Test & Measurement Products. There are separate and distinct warranties available for these products.

**The warranty period for Job Site Radios, M12™ Power Port, M18™ Power Source, Jobsite Fan and Trade Titan™ Industrial Work Carts is one (1) year from the date of purchase. The warranty period for the Drain Cleaning Cables and AIRSNAKE™ Drain Cleaning Air Gun Accessories is two (2) years from the date of purchase. The warranty period for the M18™ Compact Heat Gun, 8 Gallon Dust Extractor, M18™ Framing Nailers, M18 FUEL™ 1/2" Ext. Anvil Controlled Torque Impact Wrench w/ ONE-KEY™, and the M18 FUEL™ 1" High Torque Impact Wrench w/ ONE-KEY™ is three (3) years from the date of purchase. The warranty period for the LED in the LED Work Light and the LED Upgrade Bulb for the Work Light is the lifetime of the product subject to the limitations above. If during normal use the LED or LED Bulb fails, the part will be replaced free of charge.

Warranty Registration is not necessary to obtain the applicable warranty on a MILWAUKEE power tool product. The manufacturing date of the product will be used to determine the warranty period if no proof of purchase is provided at the time warranty service is requested.

ACCEPTANCE OF THE EXCLUSIVE REPAIR AND REPLACEMENT REMEDIES DESCRIBED HEREIN IS A CONDITION OF THE CONTRACT FOR THE PURCHASE OF EVERY MILWAUKEE PRODUCT. IF YOU DO NOT AGREE TO THIS CONDITION, YOU SHOULD NOT PURCHASE THE PRODUCT. IN NO EVENT SHALL MILWAUKEE BE LIABLE FOR ANY INCIDENTAL, SPECIAL, CONSEQUENTIAL OR PUNITIVE DAMAGES, OR FOR ANY COSTS, ATTORNEY FEES, EXPENSES, LOSSES OR DELAYS ALLEGED TO BE AS A CONSEQUENCE OF ANY DAMAGE TO, FAILURE OF, OR DEFECT IN ANY PRODUCT INCLUDING, BUT NOT LIMITED TO, ANY CLAIMS FOR LOSS OF PROFITS. SOME STATES DO NOT ALLOW THE EXCLUSION OR LIMITATION OF INCIDENTAL OR CONSEQUENTIAL DAMAGES, SO THE ABOVE LIMITATION OR EXCLUSION MAY NOT APPLY TO YOU. THIS WARRANTY IS EXCLUSIVE AND IN LIEU OF ALL OTHER EXPRESS WARRANTIES, WRITTEN OR ORAL. TO THE EXTENT PERMITTED BY LAW, MILWAUKEE DISCLAIMS ANY IMPLIED WARRANTIES, INCLUDING WITHOUT LIMITATION ANY IMPLIED WARRANTY OF MERCHANTABILITY OR FITNESS FOR A PARTICULAR USE OR PURPOSE; TO THE EXTENT SUCH DISCLAIMER IS NOT PERMITTED BY LAW, SUCH IMPLIED WARRANTIES ARE LIMITED TO THE DURATION OF THE APPLICABLE EXPRESS WARRANTY AS DESCRIBED ABOVE. SOME STATES DO NOT ALLOW LIMITATIONS ON HOW LONG AN IMPLIED WARRANTY LASTS. SO THE ABOVE LIMITATION MAY NOT APPLY TO YOU, THIS WARRANTY GIVES YOU SPECIFIC LEGAL RIGHTS, AND YOU MAY ALSO HAVE OTHER RIGHTS WHICH VARY FROM STATE TO STATE.

This warranty applies to product sold in the U.S.A. and Canada only. Please consult the 'Service Center Search' in the Parts & Service section of MILWAUKEE's website www.milwaukeeool.com or call 1.800.SAWDUST (1.800.729.3878) to locate your nearest service facility for warranty and non-warranty service on a Milwaukee electric power tool.

LIMITED WARRANTY - MEXICO, CENTRAL AMERICA & CARIBBEAN

TECHTRONIC INDUSTRIES' warranty is for 5 years since the original purchase date.

This warranty card covers any defect in material and workmanship on this Product.

To make this warranty valid, present this warranty card, sealed/stamped by the distributor or store where you purchased the product, to the Authorized Service Center (ASC). Or, if this card has not been sealed/stamped, present the original proof of purchase to the ASC. Call 55 4160-3547 to find the nearest ASC, for service, parts, accessories or components.

Procedure to make this warranty valid

Take the product to the ASC, along with the warranty card sealed/stamped by the distributor or store where you purchased the product, and any faulty piece or component will be replaced without cost for you. We will cover all freight costs relative with this warranty process.

Exclusions

This warranty is not valid in the following situations

- When the product is used in a different manner from the end-user guide or instruction manual.
- When the conditions of use are not normal.
- When the product was modified or repaired by people not authorized by TECHTRONIC INDUSTRIES.

Note: If cord set is damaged, it should be replaced by an Authorized Service Center to avoid electric risks.

SERVICE AND ATTENTION CENTER
Call to 55 4160-3547

IMPORTED AND COMMERCIALIZED BY
TECHTRONIC INDUSTRIES MEXICO, S.A. DE C.V.
Miguel de Cervantes Saavedra No.301 Piso 5, Torre Norte
11520 Colonia Ampliación Granada
Miguel Hidalgo, Ciudad de Mexico, Mexico

Model: _____

Date of Purchase: _____

Distributor or Store Stamp: _____

RÈGLES DE SÉCURITÉ GÉNÉRALES RELATIVES AUX OUTILS ÉLECTRIQUES

⚠ AVERTISSEMENT Lire toutes les consignes de sécurité, consignes, illustrations et spécifications fournies avec cet outil électrique. Ne pas suivre l'ensemble des règles et instructions peut entraîner une électrocution, un incendie ou des blessures graves. **Conserver les règles et les instructions à des fins de référence ultérieure.** Le terme «outil électrique» figurant dans les avertissements ci-dessous renvoie à l'outil électrique à alimentation par le réseau (à cordon) ou par batterie (sans fil).

SÉCURITÉ DU LIEU DE TRAVAIL

- **Veillez à ce que l'aire de travail soit propre et bien éclairée.** Le désordre et le manque de lumière favorisent les accidents.
- **Ne pas utiliser d'outils électriques dans des atmosphères explosives, par exemple en présence de liquides, gaz ou poussières inflammables.** Les outils électriques produisent des étincelles risquant d'enflammer les poussières ou vapeurs.
- **S'assurer que les enfants et les curieux se trouvent à une bonne distance au moment d'utiliser un outil électrique.** Les distractions peuvent causer une perte de contrôle.

SÉCURITÉ ÉLECTRIQUE

- **Les fiches des outils électriques doivent correspondre à la prise secteur utilisée. Ne jamais modifier la fiche, de quelque façon que ce soit. Ne jamais utiliser d'adaptateurs de fiche avec des outils mis à la terre.** Les fiches et prises non modifiées réduisent le risque de choc électrique.
- **Éviter tout contact avec des surfaces mises à la terre comme des tuyaux, des radiateurs, des cuisinières et des réfrigérateurs.** Le risque de choc électrique est accru lorsque le corps est mis à la terre.
- **Ne pas exposer les outils électriques à l'eau ou l'humidité.** La pénétration d'eau dans ces outils accroît le risque de choc électrique.
- **Ne pas maltraiter le cordon d'alimentation. Ne jamais utiliser le cordon d'alimentation pour transporter l'outil électrique et ne jamais débrancher ce dernier en tirant sur le cordon. Garder le cordon à l'écart de la chaleur, de l'huile, des objets tranchants et des pièces en mouvement.** Un cordon endommagé ou emmêlé accroît le risque de choc électrique.
- **Pour les travaux à l'extérieur, utiliser un cordon spécialement conçu à cet effet.** Utiliser un cordon conçu pour l'usage extérieur réduit les risques de choc électrique.
- **Si l'utilisation d'un outil électrique est inévitable dans un endroit humide, utiliser une source d'alimentation munie d'un disjoncteur de fuite de terre.** L'utilisation d'un disjoncteur de fuite de terre réduit le risque de choc électrique.

SÉCURITÉ INDIVIDUELLE

- **Rester attentif, prêter attention au travail et faire preuve de bon sens lors de l'utilisation de tout outil électrique. Ne pas utiliser cet appareil en cas de fatigue ou sous l'influence de l'alcool, de drogues ou de médicaments.** Un moment d'inattention pendant l'utilisation d'un outil électrique peut entraîner des blessures graves.
- **Porter l'équipement de protection individuel requis. Toujours porter une protection oculaire.** Selon les conditions, porter aussi un masque antipoussières, des bottes de sécurité antidérapantes, un casque protecteur ou une protection auditive afin de réduire les blessures.
- **Empêcher les démarrages accidentels. S'assurer que la gâchette est en position d'arrêt avant de brancher l'outil à une source de courant, d'insérer la batterie, de la ramasser ou de le transporter.** Le fait de transporter un outil électrique en gardant le doigt sur la gâchette ou de mettre sous tension un outil électrique lorsque la gâchette est en position de marche favorise les accidents.
- **Retirer les clés de réglage avant de mettre l'outil en marche.** Une clé laissée sur une pièce rotative de l'outil peut causer des blessures.
- **Ne pas travailler hors de portée. Toujours se tenir bien campé et en équilibre.** Une bonne stabilité procure un meilleur contrôle de l'outil électrique en cas d'imprévu.
- **Porter une tenue appropriée. Ne porter ni vêtements amples, ni bijoux. Garder les cheveux et les vêtements à l'écart des pièces en mouvement.** Les vêtements flottants, les bijoux ou les cheveux longs risquent d'être happés par les pièces en mouvement.
- **Si les outils sont équipés de dispositifs de dépeussierage, s'assurer qu'ils sont connectés et correctement utilisés.** L'utilisation d'un collecteur de poussière permet de réduire les dangers liés à la poussière.
- **Ne pas laisser la familiarité avec l'outil acquise par une utilisation fréquente vous rendre suffisant et vous amener à ignorer les règles de sécurité.** Une utilisation négligée peut causer une blessure grave en une fraction de seconde.

UTILISATION ET ENTRETIEN DE L'OUTIL ÉLECTRIQUE

- **Ne pas forcer l'outil électrique. Utiliser l'outil électrique approprié pour l'application.** Un outil électrique approprié exécutera le travail mieux et de façon moins dangereuse s'il est utilisé dans les limites prévues.
- **Ne pas utiliser l'outil électrique si le commutateur ne permet pas de le mettre en marche ou de l'arrêter.** Tout outil électrique qui ne peut pas être contrôlé par son commutateur est dangereux et doit être réparé.
- **Débrancher l'outil et/ou retirer le bloc-piles, si possible, avant d'effectuer des réglages, de changer d'accessoire ou de remettre l'outil.** Ces mesures de sécurité préventives réduisent les risques de démarrage accidentel de l'outil.
- **Entreposer l'outil électrique hors de la portée des enfants et interdire à quiconque de l'utiliser si la personne ne connaît pas bien le produit ou les instructions.** Les outils électriques sont dangereux dans les mains d'utilisateurs novices.
- **Entretenir les outils électriques et les accessoires. Vérifier qu'aucune pièce mobile n'est mal alignée ou bloquée, qu'aucune pièce n'est brisée et s'assurer**

- qu'aucun autre problème risque d'affecter le bon fonctionnement de l'outil. En cas de dommages, faire réparer l'outil avant de l'utiliser.** Plusieurs accidents sont causés par des produits mal entretenus.
- **Garder les outils bien affûtés et propres.** Des outils correctement entretenus et dont les tranchants sont bien affûtés risquent moins de se bloquer et sont plus faciles à contrôler.
- **Utiliser l'outil électrique, les accessoires, les embouts etc. conformément à ces instructions en tenant compte des conditions de travail et de la tâche à effectuer.** L'usage d'un outil électrique pour des applications pour lesquelles il n'est pas conçu peut être dangereux.
- **Garder les poignées et les surfaces de préhension sèches, propres et exemptes d'huile ou de graisse.** Des poignées et des surfaces de préhension glissantes ne permettent pas de manipuler et de contrôler l'outil en toute sécurité en cas de situation imprévue.

UTILISATION ET ENTRETIEN DE LA BATTERIE

- **Pour recharger le bloc-piles, utiliser seulement le chargeur spécifié par le fabricant.** Un chargeur pouvant convenir à un type de bloc-piles peut entraîner un risque d'incendie lorsqu'il est utilisé avec un autre type de bloc-piles.
- **N'utiliser l'outil électrique qu'avec une batterie recommandée.** L'utilisation de tout autre bloc-piles peut créer un risque de blessures et d'incendie.
- **Lorsque le bloc-piles n'est pas utilisé, le tenir éloigné des objets en métal tels que les trombones, les pièces de monnaie, les clés, les clous, les vis ou d'autres petits objets métalliques qui pourraient connecter les bornes.** Le court-circuitage des bornes d'une pile peut entraîner des brûlures ou un incendie.
- **Éviter tout contact avec le liquide pouvant être éjecté de la pile en cas de manutention abusive. En cas de contact accidentel, rincer immédiatement les parties atteintes avec de l'eau. Si le liquide entre en contact avec les yeux, consulter un médecin.** Le liquide éjecté des piles peut causer des irritations ou des brûlures.
- **N'utiliser aucun bloc-piles ni aucun outil ayant été endommagé ou modifié.** Des piles endommagées ou modifiées peuvent adopter un comportement imprévisible pouvant causer un incendie, une explosion ou le risque de blessures.
- **Ne pas exposer le bloc-piles ou l'outil aux flammes ou à une température excessive.** Une exposition aux flammes ou à une température supérieure à 130°C (265°F) peut causer une explosion.
- **Suivre toutes les instructions de charge et ne pas charger le bloc-piles ou l'outil en dehors de la plage de température spécifiée.** Une charge incorrecte ou à des températures en dehors de la plage spécifiée peut endommager la pile et augmenter le risque d'incendie.

ENTRETIEN

- **Les réparations de l'outil électrique doivent être confiées à un technicien qualifié, utilisant exclusivement des pièces identiques à celles d'origine.** Le maintien de la sûreté de l'outil électrique sera ainsi assuré.
- **Ne jamais effectuer la réparation d'un bloc-piles endommagé.** La réparation du bloc-piles doit être réalisée par le fabricant ou les fournisseurs de service agréés uniquement.

RÈGLES DE SÉCURITÉ SPÉCIFIQUES POUR SCIES SAUTEUSES

- Lorsque l'outil est utilisé pour un travail risquant de mettre l'accessoire de coupe en contact avec des fils électriques cachés, le tenir par les surfaces de prise isolées. Le contact d'un accessoire de coupe avec un fil sous tension « électrifie » les pièces métalliques exposées de l'outil et peut électrocuter l'utilisateur.
- Dans la mesure du possible, utiliser des serre-joints ou un autre moyen pratique pour maintenir la pièce sur une surface stable. Le fait de tenir la pièce à travailler avec ses mains ou contre son corps la rend instable et peut occasionner une perte de contrôle.
- Tenez les mains à l'écart des arêtes tranchantes et des pièces en mouvement.

AVERTISSEMENT Afin de minimiser le risque de blessures, lorsque de travaux sont faits dans de situations poussiéreuses, porter une protection respiratoire ou bien, utiliser une solution d'extraction de poussière conforme aux normes OSHA.

- Toujours faire preuve de bons sens et procéder avec prudence lors de l'utilisation d'outils. C'est impossible de prévoir toutes les situations dont le résultat est dangereux. Ne pas utiliser cet outil si vous ne comprenez pas ces instructions d'opération ou si vous pensez que le travail dépasse votre capacité ; veuillez contacter Milwaukee Tool ou un professionnel formé pour recevoir plus d'information ou formation.

- Maintenir en l'état les étiquettes et les plaques d'identification. Des informations importantes y figurent. Si elles sont illisibles ou manquantes, contacter un centre de services et d'entretien MILWAUKEE pour un remplacement gratuit.

AVERTISSEMENT Certaines poussières générées par les activités de ponçage, de coupe, de rectification, de perçage et d'autres activités de construction contiennent des substances considérées être la cause de malformations congénitales et de troubles de l'appareil reproducteur. Parmi ces substances figurent :

- le plomb contenu dans les peintures à base de plomb ;
- la silice cristalline des briques, du ciment et d'autres matériaux de maçonnerie, ainsi que
- l'arsenic et le chrome des sciages traités chimiquement. Les risques encourus par l'opérateur envers ces expositions varient en fonction de la fréquence de ce type de travail. Pour réduire l'exposition à ces substances chimiques, l'opérateur doit travailler dans une zone bien ventilée et porter l'équipement de sécurité approprié, tel qu'un masque anti-poussière spécialement conçu pour filtrer les particules microscopiques.

SPÉCIFICATIONS

Volts.....	18 CD
Type de batterie	M18™
Type de chargeur	M18™
Température ambiante de fonctionnement recommandée	
-18°C à 50°C (0°F à 125°F)	
No de Cat.....	2737-20
Coups par minute sans charge.....	0 - 3 500
Longueur de coup.....	25 mm (1")
No de Cat.....	2737B-20
Coups par minute sans charge.....	800 - 3 500
Longueur de coup.....	25 mm (1")

PICTOGRAPHIE



Volts



Courant direct

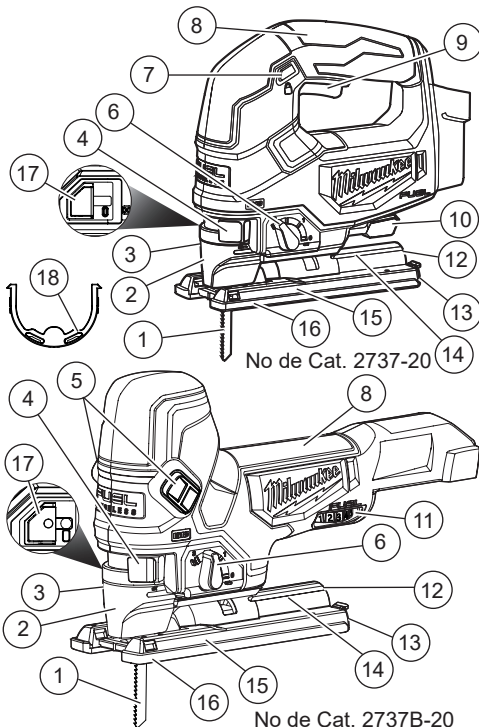
n₀ XXXX min⁻¹

Cycles par minute à vide (SPM)



UL Listing Mark pour Canada et États-unis

DESCRIPTION FONCTIONNELLE



1. Lame
2. Couvre-lame transparent
3. DEL
4. Levier de tension à verrouillage rapide
5. Commutateurs I/O
6. Levier de sélection de mouvement orbital
7. Bouton de verrouillage
8. Poignée
9. Interrupteur
10. Levier de réglage du patin
11. Cadran de vitesse variable
12. Éjecteur de sciure
13. Clé/rangement de clé
14. Échelle d'angle d'inclinaison
15. Patin
16. Couvre-patin
17. Navette de soufflante
18. Couverture de DEL

MONTAGE DE L'OUTIL

AVERTISSEMENT Ne recharger la batterie qu'avec le chargeur spécifié. Pour les instructions de charge spécifiques, lire le manuel d'utilisation fourni avec le chargeur et les batteries.

Insertion/Retrait de la batterie

Pour **retirer** la batterie, enfoncer les boutons de déverrouillage et la tirer hors de l'outil.

AVERTISSEMENT Il faut toujours retirer la batterie et verrouiller la détente de l'outil avant de changer ou d'enlever les accessoires.

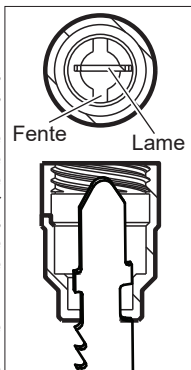
Pour **insérer** la batterie, la glisser dans le corps de l'outil. S'assurer qu'elle est fixée solidement.

AVERTISSEMENT L'emploi d'accessoires autres que ceux qui sont expressément recommandés pour cet outil peut comporter des risques.

Installation des lames de la scie

Utiliser seulement des lames pour scie sauteuse à pied en T.

1. Retirer le bloc-piles.
2. Amener le levier de tension Quik-Lok vers la droite sans le relâcher pour aligner les fentes.
3. Convenir la lame de la scie dans la rainure du galet de support et appuyer sur elle fermement dans le plongeur le plus loin possible vers l'arrière ; la cosse de la lame de la scie doit être dans le plongeur.
4. Relâcher le levier de tension Quik-Lok afin de fixer la lame en place.
5. Vérifier que la lame de la scie soit solidement maintenue ; la rainure du plongeur sera réglée à un angle par rapport de la lame.
6. Pour retirer la lame, amener le levier vers la droite et la lame sera expulsée.



Installation du carter du patin

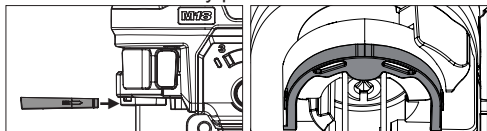
Le carter du patin sert à prévenir l'égratignure et l'éraflure de la surface de la pièce. Pour attacher le carter du patin :

1. Retirer le bloc-piles.
2. Attacher le front du carter sur le patin en acier.
3. Claquer l'arrière du carter du patin dans l'extrême arrière du patin. Veuillez s'assurer que tous les deux extrêmes se claquent en place.
4. Quand le carter du patin n'est pas nécessaire, le retirer en tirant des languettes qui se trouvent dans l'arrière du carter du patin. Enlever le front du carter du patin et le retirer.

Installation du couvercle DEL

Le couvercle DEL est utilisé pour protéger la lampe à DEL lorsque l'outil est utilisé dans de certaines applications.

1. Remove the battery pack.



2. Glisser le couvercle sur l'outil vers la direction montrée jusqu'à ce qu'elle se fixe en place.
3. Pour la retirer, tirer des pieds, loin de l'outil.

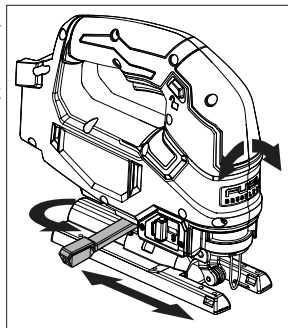
Réglage du patin

Le patin pourra s'incliner à 45° vers les deux directions. **REMARQUE** : Ne pas utiliser le carter transparent ni le dispositif anti-éclatement lors de la réalisation de coupes à biseau/en angle.

Pour régler l'angle d'inclinaison pour des coupes à biseau/en angle :

(No de Cat. 2737-20)

1. Retirer le bloc-piles.
2. Desserrer le levier de réglage de patin.
3. Tirer doucement de la base vers le front jusqu'à ce que les goupilles se désengagent.
4. Incliner le patin à l'angle prédéterminé désiré (0°, 15°, 30° ou 45°) et pousser le patin dans la goupille.
5. Afin de régler un angle différent à ceux prédéterminés, régler l'angle désiré sans engager aucune goupille.
6. Serrer le levier de réglage du patin.
7. Faire une coupe d'essai pour vérifier l'angle.



REMARQUE : Si le patin commence à glisser quand le levier est serré, utiliser la clé hexagonale de 4 mm y rangé afin de régler les têtes creuses de réglage de patin. Retirer le carter du patin, faire retourner l'outil et serrer fermement les têtes creuses.

(No de Cat. 2737B-20)

REMARQUE : Ne pas essayer de faire de coupes en biseau avec de blocs-piles dont leurs capacités soient plus de 5,0 Ah. Les blocs-piles plus grands que ceux de 5,0 Ah pourront provoquer que le bloc-piles frappe la pièce pendant l'opération de coupure.

Installation du carter transparent

Ne pas utiliser le carter transparent ni le dispositif anti-éclatement lors de la réalisation de coupes à biseau/en angle.

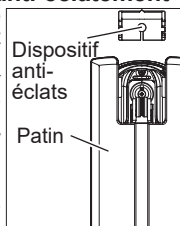
1. Retirer le bloc-piles.
2. Pour l'**installer**, placer le carter transparent devant la lame et le glisser en place. Les ergots se logent dans les fentes du boîtier.
3. Pour le **retirer**, appuyer sur les côtés du carter transparent et l'éloigner de la lame.

Installation du dispositif anti-éclatement

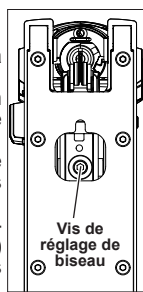
Le dispositif anti-éclatement aide à la stabilisation de la pièce et minimise son éclatement.

REMARQUE : Ne pas utiliser le carter transparent ni le dispositif anti-éclatement lors de la réalisation de coupes à biseau/en angle.

1. Retirer le bloc-piles.
2. Glisser le dispositif anti-éclatement sur le patin. Veuillez s'assurer que le dispositif anti-éclatement soit installé avec la partie inférieure du patin.



1. Retirer le bloc-piles.
2. Retirer le carter du patin.
3. Retourner l'outil afin d'exposer la partie inférieure du patin.
4. Utiliser la clé hexagonale de 4 mm y rangée pour desserrer la vis de réglage du biseau.
5. Tirer doucement de la base vers le front jusqu'à ce que les goupilles se désengagent.
6. Incliner le patin à l'angle prédéterminé désiré (0°, 15°, 30° ou 45°) et pousser le patin dans une des goupilles.
7. Afin de régler un angle différent à ceux prédéterminés, régler l'angle désiré sans engager aucune goupille.
8. Serrer la vis fermement.
9. Faire une coupe d'essai pour vérifier l'angle.



Sélection de la vitesse

Utiliser les basses vitesses pour des matériaux tels que le plastique et les laminés. Utiliser également les faibles vitesses pour les métaux durs. Utiliser les vitesses plus grandes pour des matériaux tels que le bois et les métaux mous (aluminium, cuivre, laiton, etc.).

(No de Cat. 2737-20)

Pour changer la vitesse, augmenter ou réduire la pression exercée sur la gâchette. Plus la gâchette est appuyée, plus la vitesse s'élèvera.

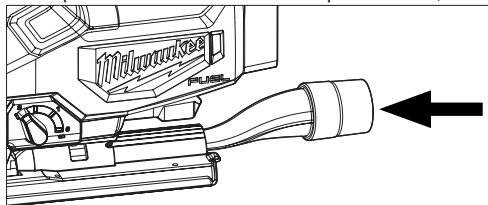
(No de Cat. 2737B-20)

Tourner le cadran du sélecteur de vitesse à la vitesse désirée (1 à 6). Sélectionner « A » pour un démarrage autocontrôlé à 1 500 Tr/Min, qui augmentera à 3 500 Tr/Min une fois la pièce contactée.

AVERTISSEMENT Afin de minimiser le risque de blessure, porter un masque anti-poussière ou utiliser une solution d'extraction de poussière conforme aux normes OSHA lorsque vous travaillez dans des circonstances poussiéreuses.

Accessoire de dépoussiérage

REMARQUE : Pour le 2737B-20, il n'est pas possible d'utiliser l'accessoire de dépoussiérage avec de blocs-piles dont l'autonomie soit supérieure à 5,0 Ah.



1. Retirer le bloc-piles.
2. Pour installer l'accessoire, aligner la petite extrémité de l'accessoire de dépoussiérage avec la partie courbée à l'arrière du patin. Glisser l'accessoire en place.
3. Afin de le retirer, tirer l'accessoire loin de la scie.

Navette de soufflante

Régler la navette de soufflante à pour souffler l'air dehors du front de la scie sauteuse afin de nettoyer la poussière de la ligne de coupe.

Régler la navette de soufflante à pour souffler l'air dehors de l'éjecteur de sciure lors de l'utilisation d'une solution d'extraction de poussière.

MANIEMENT

AVERTISSEMENT Il faut toujours retirer la batterie et verrouiller la détente de l'outil avant de changer ou d'enlever les accessoires. L'emploi d'accessoires autres que ceux qui sont expressément recommandés pour cet outil peut comporter des risques.

AVERTISSEMENT Afin de minimiser le risque de blessures, toujours porter la protection oculaire appropriée certifiée conforme à la norme ANSI Z87.1.

Afin de minimiser le risque de blessure, veuillez s'assurer que la lame soit toujours loin du patin et de la pièce pendant le coup. Si elles frappent la pièce, les lames pourront fracasser.

Démarrage et arrêt de l'outil

(No de Cat. 2737-20)

1. Pour démarrer l'outil, tenir fermement la poignée et appuyer sur la gâchette.
2. Pour changer la vitesse, augmenter ou réduire la pression exercée sur la gâchette. Plus la gâchette est appuyée, plus la vitesse s'élèvera.
3. Pour arrêter l'outil, relâcher la gâchette. Laisser l'outil s'arrêter complètement avant de retirer la lame d'une coupe partielle ou de déposer l'outil.

(No de Cat. 2737B-20)

1. Régler le cadran de sélection de vitesse à la vitesse désirée.
2. Pour démarrer l'outil, appuyer sur le commutateur à glissière vers le front jusqu'à ce que l'outil démarre et après, relâcher.
2. Pour changer la vitesse, faire tourner le cadran à vitesse variable.
3. Pour arrêter l'outil, appuyer sur le commutateur à glissière et après, relâcher. Laisser l'outil s'arrêter complètement avant de retirer la lame d'une coupe partielle ou de déposer l'outil.

REMARQUE : L'outil s'arrêtera si le commutateur est maintenu enfoncé pendant plus de 3 secondes.

Verrouillage de la gâchette

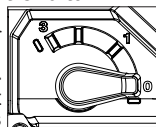
(No de Cat. 2737-20)

Pour verrouiller la gâchette, pousser le verrou de la gâchette à partir du côté gauche de l'outil. La gâchette ne fonctionnera pas si le commutateur est réglé en position de verrouillage. Toujours verrouiller le commutateur et retirer le bloc-piles avant de procéder à un entretien ou de changer d'accessoire. Verrouiller la gâchette au moment d'entreposer l'outil ainsi que lorsqu'il n'est pas utilisé.

Pour déverrouiller la gâchette, pousser son verrou à partir du côté droit de l'outil.

Réglage du mouvement orbital

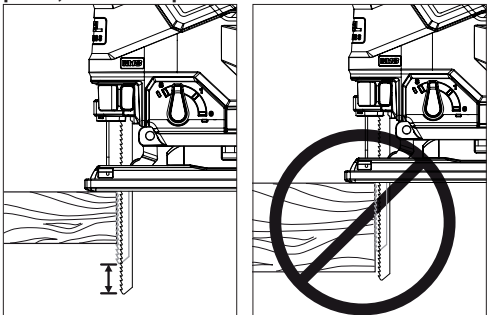
Le degré de mouvement orbital peut être réglé avec le levier sélecteur de mouvement orbital. En général, utilisez un grand mouvement orbital (3) pour les matériaux mous et aucune action orbitale (0) pour les matériaux durs. Dans les cas de coupe lisse, n'utilisez pas de mouvement orbital (0).



Matériau	Mouvement orbital
Bois	0-3
Métal	0-1
Aluminium	0-1
Plastique	0-2
Coupe lisse	0

AVERTISSEMENT Pour réduire le risque de blessure, ne pas commencer l'outil avec la lame contactant la pièce de fabrication.

Afin de minimiser le risque de blessure, veuillez s'assurer que la lame soit toujours loin du patin et la pièce pendant le coup. Si elles frappent la pièce, les lames pourraient fracasser.



Exécution de la coupe

1. Réglez le mouvement orbital selon le matériau à couper.
2. Placez l'outil pour que l'avant du patin soit sur la pièce et démarrez l'outil.
3. Maintenez fermement la machine contre la pièce et guidez la machine le long de la ligne de coupe voulue. Ne vous engagez pas trop fort dans la pièce, une pression légère sur la lame de scie donnera une vitesse de coupe optimale.

Techniques de coupe spéciales

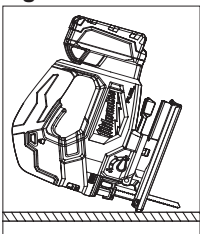
1. *Coupes droites* - Pour obtenir une coupe droite parfaite, maintenez avec une pince une bande de bois servant de guide le long de la pièce ou utilisez un guide de sciage en long (accessoire).
2. *Coupes en biseau* - Réglez le patin à l'angle correct (Voir Réglage du patin).
3. *Coupe de métal en feuille* - Le métal en feuille peut vibrer pendant la coupe. Afin de réduire la vibration, bloquez la pièce avec des pinces sur une base en bois.

AVERTISSEMENT Pour minimiser les risques d'explosion, de choc électrique et dommages à vos biens, lorsque vous effectuez une coupe en plongée, inspectez toujours l'aire de coupe pour y déceler la présence de fils électriques ou de canalisations.

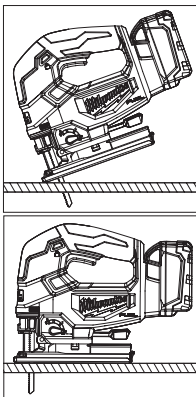
Coupe en plongée

La coupe en plongée peut être exécutée dans des matériaux mous sans trous pré-perforés. Les matériaux plus durs exigent un trou de départ d'un diamètre légèrement supérieur à celui de la lame. Pour effectuer une coupe en plongée :

1. Réglez le sélecteur de mouvement orbital à 0.



2. Assurez-vous qu'aucun élément situé en-dessous de la zone de coupe ne sera endommagé.
3. Sans mettre l'outil sous tension, placez le rebord avant du patin solidement sur la pièce.
4. Alignez la lame avec la ligne de coupe prévue, mais gardez-la par-dessus la pièce.
5. En vous servant du rebord avant du patin comme pivot, faites tourner l'outil et abaissez graduellement la lame dans la pièce.
6. Lorsque le patin est bien à plat contre la pièce, la coupe normale peut commencer.



ENTRETIEN

AVERTISSEMENT Pour minimiser les risques de blessures corporelles, débranchez le chargeur et retirez la batterie du chargeur ou de l'outil avant d'y effectuer des travaux d'entretien. Ne démontez jamais l'outil, la batterie ou le chargeur. Pour toute réparation, consultez un centre de service MILWAUKEE agréé.

Entretien de l'outil

Gardez l'outil en bon état en adoptant un programme d'entretien ponctuel. Inspectez votre outil pour des questions telles que le bruit excessif, de grippage des pièces mobiles, de pièces cassées ou toute autre condition qui peut affecter le fonctionnement de l'outil. Retournez votre outil à un centre de service MILWAUKEE agréé pour obtenir le service. Après une période pouvant aller de 6 mois à un an, selon l'usage, retournez votre outil à un centre de service MILWAUKEE agréé pour d'inspection.

Si l'outil ne démarre pas ou ne fonctionne pas à pleine puissance alors qu'il est branché sur une batterie complètement chargée, nettoyez les points de contact entre la batterie et l'outil. Si l'outil ne fonctionne toujours pas correctement, renvoyez l'outil, le chargeur et la batterie à un centre de service MILWAUKEE agréé.

AVERTISSEMENT Pour minimiser les risques de blessures ou de dommages à l'outil, n'immergez jamais l'outil, la batterie ou le chargeur et ne laissez pas de liquide s'infiltrer.

Nettoyage

Débarassez les événements des débris et de la poussière. Gardez les poignées propres, à sec et exemptes d'huile ou de graisse. Le nettoyage doit se faire avec un linge humide et un savon doux. Certains nettoyants tels l'essence, la térébenthine, les diluants à laque ou à peinture, les solvants chlorés, l'ammoniaque et les détergents d'usage domestique qui en contiennent pourraient détériorer le plastique et l'isolation des pièces. Ne laissez jamais de solvants inflammables ou combustibles auprès des outils.

Réparations

Pour les réparations, retournez outil, batterie et chargeur en entier au centre-service autorisé le plus près.

ACCESOIRES

AVERTISSEMENT L'utilisation d'autres accessoires que ceux qui sont spécifiquement recommandés pour cet outil peut comporter des risques.

Pour une liste complète des accessoires, visiter le site internet www.milwaukeeetool.com ou contactez un distributeur.

SERVICE - CANADA

Milwaukee Tool (Canada) Ltd

1.800.268.4015

Monday-Friday, 7:00 AM - 4:30 PM CST

www.milwaukeeetool.ca

GARANTIE LIMITÉE - AUX ÉTATS-UNIS ET AU CANADA

Chaque outil électrique MILWAUKEE (voir exceptions ci-dessous) est garanti à l'acheteur d'origine uniquement pour être exempt de vices de matériaux et de fabrication. Sous réserve de certaines exceptions, MILWAUKEE réparera ou remplacera toute pièce d'un outil électrique qui, après examen par MILWAUKEE, s'est avérée être affectée d'un vice de matériau ou de fabrication et ce pendant une période de cinq (5) ans** à compter de la date d'achat, sauf indication contraire. Retourner l'outil électrique à un centre de réparation en usine MILWAUKEE ou à un poste d'entretien agréé MILWAUKEE, en port prépayé et assuré. Une copie de la preuve d'achat doit être présentée lors du retour du produit. Cette garantie ne couvre pas les dommages que MILWAUKEE détermine être causés par des réparations ou des tentatives de réparation par quiconque autre que le personnel agréé par MILWAUKEE, ou par des utilisations incorrectes, des altérations, des utilisations abusives, une usure normale, une carence d'entretien ou des accidents.

Usure normale : Plusieurs outils électriques requièrent un remplacement et un entretien périodique de leurs pièces pour un meilleur rendement. Cette garantie ne couvre pas la réparation des pièces due à l'utilisation normale de l'outil, y compris, mais sans s'y limiter, les mandrins, les brosses, les cordes, les sabots de scie, les portelames, les joints toriques, les joints, les amortisseurs, les lames d'entraînement, les pistons, les perceurs, les crochets et les rondelles à couvercle amortisseur.

*Cette garantie ne s'applique pas aux cloueuses-agrafeuses pneumatiques, aux pulvérisateurs à peinture sans air, aux blocs-piles pour outils sans fil, aux génératrices d'alimentation portatives à essence, aux outils à main, aux monte-charge – électriques, à levier et à chaîne, aux vestes chauffantes M12™, aux produits ré-usinés, ni aux produits d'essai et de mesure. Il existe des garanties séparées distinctes pour ces produits.

**La période de garantie applicable pour les radios de chantier, le port d'alimentation M12™, la source électrique M18™, le ventilateur de chantier et les chariots de travail industriels Trade Titan™ est d'une durée d'un (1) an à compter de la date d'achat. La période de garantie pour les câbles de nettoyage des drains et les accessoires de pistolet à air de vidange AIRSNAKE™ est de deux (2) ans à compter de la date d'achat. La période de garantie pour le Pistolet thermique compact M18™, Dépoussiéreur de 8 gallons, M18™ cloueuses à ossature, M18 FUEL™ 1/2" clé à chocs de enclume prolongé, couple contrôlé avec ONE-KEY™, et M18 FUEL™ 1" clé à chocs de couple élevé avec ONE-KEY™ est de trois (3) ans à compter de la date d'achat. La période de garantie couvrant la DEL de la lampe de travail à DEL et l'ampoule améliorée à DEL de la lampe de travail est une garantie à vie du produit soumise aux limitations ci-dessus. En cas de défaillance de la DEL ou de l'ampoule à DEL pendant son utilisation normale, la pièce défaillante sera remplacée gratuitement.

L'enregistrement de la garantie n'est pas nécessaire pour bénéficier de la garantie en vigueur sur un outil électrique MILWAUKEE. La date de fabrication du produit servira à établir la période de garantie, si aucune preuve d'achat n'est fournie lorsqu'une demande de service sous garantie est déposée.

L'ACCEPTATION DES RECOURS EXCLUSIFS DE RÉPARATION ET DE REMPLACEMENT DÉCRITS DANS LES PRÉSENTS EST UNE CONDITION DU CONTRAT D'ACHAT DE TOUT PRODUIT MILWAUKEE. SI VOUS N'ACCEPTÉZ PAS CETTE CONDITION, VOUS NE DEVEZ PAS ACHETER LE PRODUIT. EN AUCUN CAS, MILWAUKEE NE SAURAIT ÊTRE RESPONSABLE DE TOUT DOM-

MAGE ACCESSOIRE, SPÉCIAL OU INDIRECT, DE DOMMAGES-INTÉRÊTS PUNITIFS OU DE TOUTE DÉPENSE, D'HONORAIRES D'AVOCAT, DE FRAIS, DE PERTE OU DE DÉLAIS ACCESSOIRES À TOUT DOMMAGE, DÉFAILLANCE OU DÉFAUT DE TOUT PRODUIT, Y COMPRIS NOTAMMENT LES PERTES DE PROFIT. CERTAINS ÉTATS ET PROVINCES NE PERMETTANT L'EXCLUSION OU LA LIMITATION DES DOMMAGES DIRECTS OU INDIRECTS, LES RESTRICTIONS CI-DESSUS PEUVENT NE PAS VOUS ÊTRE APPLICABLES. CETTE GARANTIE EST EXCLUSIVE ET REMPLACE TOUTE AUTRE GARANTIE EXPRESSE, QU'ELLE SOIT VERBALE OU ÉCRITE. DANS LA MESURE PERMISE PAR LA LOI, MILWAUKEE RENONCE À TOUTE GARANTIE IMPLICITE, Y COMPRIS, MAIS SANS S'Y LIMITER, TOUTE GARANTIE IMPLICITE DE QUALITÉ MARCHANDE OU D'ADAPTATION À UNE UTILISATION OU À UNE FIN PARTICULIÈRE. DANS LA MESURE OU UNE TELLE STIPULATION D'EXONÉRATION N'EST PAS PERMISE PAR LA LOI, LA DURÉE DE CES GARANTIES IMPLICITES EST LIMITÉE À LA PÉRIODE APPLICABLE DE LA GARANTIE EXPRESSE, TEL QUE CELA EST DÉCRIT PRÉCÉDEMMENT. CERTAINS ÉTATS ET PROVINCES NE PERMETTANT PAS DE LIMITATION DE DURÉE DES GARANTIES IMPLICITES, LES RESTRICTIONS CI-DESSUS PEUVENT DONC NE PAS VOUS ÊTRE APPLICABLES. LA PRÉSENTE VOUS CONFÈRE DES DROITS LÉGAUX PARTICULIERS; VOUS BÉNÉFICIEZ ÉGALEMENT D'AUTRES DROITS QUI VARIENT D'UN ÉTAT À UN AUTRE.

Cette garantie s'applique aux produits vendus aux États-Unis et au Canada uniquement.

Veillez consulter la rubrique Centre SAV Milwaukee, dans la section Pièces et Services du site Web de MILWAUKEE, à l'adresse www.milwaukeeetool.com, ou composer le 1-800-SAWDUST (1-800-729-3878) afin de trouver le centre de service de votre région le plus proche pour l'entretien, sous garantie ou non, de votre outil électrique Milwaukee.

GARANTIE LIMITÉE - MEXIQUE, AMÉRIQUE CENTRALE ET CARAÏBES

TECHTRONIC INDUSTRIES™ garantit le produit pendant 5 ans à partir de la date d'achat d'origine.

Le présent bon de garantie couvre tous les vices de matériau et de fabrication que peut afficher ce produit.

Pour assurer la validité de la présente garantie, veuillez présenter ce bon de garantie, estampillé du sceau du distributeur ou du magasin où le produit a été acheté, au centre de réparations agréé. Si le bon de garantie n'a pas été estampillé, veuillez fournir la preuve d'achat d'origine au centre de réparations agréé.

Pour un entretien des pièces, des accessoires ou des composants, composer 55 4160-3547 afin d'obtenir les coordonnées du centre de réparations agréé le plus près.

Procédure pour assurer la validité de la garantie

Présenter le produit au centre de réparations agréé, accompagné du bon de garantie estampillé du sceau du distributeur ou du magasin où le produit a été acheté. Toute pièce défectueuse ou tout composant défectueux sera remplacé(e) sans frais. Milwaukee assume tous les frais de transport liés à ce processus de garantie.

Exceptions

Cette garantie ne s'applique pas dans les situations suivantes :

- Si le produit a été utilisé pour une fin autre que celle indiquée dans le guide de l'utilisateur final ou le manuel d'instructions.
- Si les conditions d'utilisations ne sont pas habituelles.
- Si le produit a été modifié ou réparé par une personne non autorisée par TECHTRONIC INDUSTRIES.

Remarque : Si le cordon électrique est endommagé, il doit être remplacé par un centre de réparations agréé pour éviter les risques d'électrocution.

CENTRE DE RÉPARATIONS ET DE SERVICE

Composer le 55 4160-3547

IMPORTÉ ET COMMERCIALISÉ PAR

TECHTRONIC INDUSTRIES, MEXIQUE, S.A. DE C.V.

Miguel de Cervantes Saavedra No.301 Piso 5, Torre Norte

11520 Colonia Ampliación Granada

Miguel Hidalgo, Ciudad de Mexico, Mexico

Modèle : _____

Date d'achat : _____

Sceau du distributeur ou du magasin : _____

ADVERTENCIAS DE SEGURIDAD GENERALES PARA LA HERRAMIENTA ELÉCTRICA

⚠️ ADVERTENCIA Lea todas las advertencias de seguridad, instrucciones, ilustraciones y especificaciones con esta herramienta eléctrica. Si no sigue todas las advertencias e instrucciones, se pueden provocar una descarga eléctrica, un incendio o lesiones graves. Guarde todas las advertencias e instrucciones para consultarlas en el futuro. El término "herramienta eléctrica" en todas las advertencias incluidas más abajo se refiere a su herramienta operada por conexión (cable) a la red eléctrica o por medio de una batería (inalámbrica).

SEGURIDAD EN EL ÁREA DE TRABAJO

- **Mantenga el área de trabajo limpia y bien iluminada.** Las áreas desordenadas u oscuras son propicias para los accidentes.
- **No utilice herramientas eléctricas en atmósferas explosivas, tales como en presencia de líquidos, gases o polvos inflamables.** Las herramientas eléctricas generan chispas que pueden encender el polvo o los vapores.
- **Mantenga a los niños y a los espectadores alejados mientras utiliza una herramienta eléctrica.** Las distracciones pueden ocasionar la pérdida de control.

SEGURIDAD ELÉCTRICA

- **Los enchufes de la herramienta eléctrica deben coincidir con el tomacorriente.** Nunca modifique el enchufe de ninguna manera. No utilice adaptadores de enchufe con herramientas eléctricas aterrizadas. Los enchufes y tomacorrientes correspondientes sin modificar reducirán el riesgo de descarga eléctrica.
- **Evite el contacto corporal con superficies aterrizadas, tales como tuberías, radiadores, estufas y refrigeradores.** Existe un riesgo mayor de descarga eléctrica si su cuerpo está aterrizado.
- **No exponga las herramientas eléctricas a la lluvia ni a condiciones húmedas.** Si se introduce agua en una herramienta eléctrica, aumentará el riesgo de descarga eléctrica.
- **No maltrate el cable.** Nunca utilice el cable para cargar, jalar o desconectar la herramienta eléctrica. Mantenga el cable alejado del calor, el aceite, los bordes afilados o las partes en movimiento. Los cables dañados o enredados aumentan el riesgo de descarga eléctrica.
- **Al utilizar una herramienta eléctrica en exteriores, utilice una extensión adecuada para uso en exteriores.** El uso de una extensión adecuada para el uso en exteriores disminuye el riesgo de descarga eléctrica.
- **Si es inevitable utilizar una herramienta eléctrica en un lugar húmedo, utilice un alimentador de corriente protegido con un interruptor de circuito por falla de conexión a tierra (GFCI).** El uso de un GFCI reduce el riesgo de descarga eléctrica.

SEGURIDAD PERSONAL

- **Manténgase alerta, atento a lo que está haciendo y utilice el sentido común al utilizar una herramienta eléctrica.** No utilice una herramienta eléctrica mientras está cansado o bajo la influencia de drogas, alcohol o medicamentos. Un momento de distracción al utilizar herramientas eléctricas puede ocasionar lesiones personales graves.

- **Utilice equipo de protección personal. Siempre use protección para los ojos.** El equipo de protección, tal como una máscara contra polvo, calzado antideslizante, casco o protección auditiva, utilizado para condiciones adecuadas disminuirá las lesiones personales.
- **Evite el arranque accidental. Asegúrese de que el interruptor esté en la posición de apagado antes de conectarlo a una fuente de poder y/o batería, levantar o trasladar la herramienta.** Trasladar herramientas con el dedo en el interruptor o energizar herramientas eléctricas que tienen el interruptor encendido propicia accidentes.
- **Retire cualquier llave de ajuste antes de entender la herramienta.** Una llave que se deje insertada en una parte giratoria de la herramienta eléctrica puede ocasionar lesiones personales.
- **No estire el cuerpo demasiado. Mantenga un buen contacto entre los pies y el suelo y mantenga el equilibrio en todo momento.** Esto permite un mejor control de la herramienta eléctrica en situaciones inesperadas.
- **Vístase adecuadamente. No utilice ropa o joyería holgada.** Mantenga el cabello y la ropa alejados de las partes móviles. La ropa holgada, las alhajas o el cabello largo pueden quedarse atrapados en las partes móviles.
- **Si se proporcionan dispositivos para la conexión de instalaciones de extracción y recolección de polvo, cerciórese de que estén conectados y se utilicen correctamente.** El uso de dispositivos recolectores de polvo puede disminuir los riesgos relacionados con el polvo.
- **No permita que la familiaridad por el uso frecuente de las herramientas lo hagan sentirse seguro e ignorar los principios de seguridad de las herramientas.** Un descuido puede provocar lesiones graves en una fracción de segundo.

USO Y CUIDADO DE LAS HERRAMIENTAS ELÉCTRICAS

- **No fuerce la herramienta eléctrica. Utilice la herramienta eléctrica correcta para su aplicación.** La herramienta eléctrica correcta realizará el trabajo mejor y con mayor seguridad a la velocidad para la que fue diseñada.
- **No utilice la herramienta eléctrica si el interruptor no la enciende y la apaga.** Cualquier herramienta eléctrica que no pueda controlarse con el interruptor es peligrosa y debe repararse.
- **Desconecte el enchufe de la fuente de energía y/o quite la batería de la herramienta eléctrica, si es posible, antes de realizar cualquier ajuste, cambiar accesorios o almacenar las herramientas eléctricas.** Tales medidas preventivas de seguridad disminuyen el riesgo de que la herramienta eléctrica se encienda accidentalmente.
- **Almacene las herramientas eléctricas que no se estén utilizando fuera del alcance de los niños y no permita que personas que no estén familiarizadas con la herramienta eléctrica o con estas instrucciones la utilicen.** Las herramientas eléctricas son peligrosas en manos de usuarios sin capacitación.
- **Dé mantenimiento a las herramientas eléctricas y accesorios.** Verifique que no haya desalineación, amarre de partes móviles, partes rotas o alguna otra condición que pueda afectar el funcionamiento de la herramienta eléctrica. Si se daña, asegúrese de que la herramienta eléctrica sea reparada antes de que se utilice. Muchos accidentes son ocasionados por herramientas eléctricas con mantenimiento deficiente.

- **Mantenga las herramientas de corte afiladas y limpias.** Las herramientas de corte correctamente mantenidas con bordes de corte afilados son menos propensas a atorarse y son más fáciles de controlar.
- **Utilice la herramienta eléctrica, los accesorios y las puntas, etc. de acuerdo con estas instrucciones, tomando en cuenta las condiciones de trabajo y el trabajo a realizar.** El uso de la herramienta eléctrica para operaciones diferentes a las previstas podría generar una situación peligrosa.
- **Mantenga las empuñaduras y ñas superficies de sujeción secas, limpias y libres de aceite y grasa.** Las empuñaduras y superficies de sujeción resbalosas no permiten el manejo y control seguros de la herramienta en situaciones inesperadas.

USO Y CUIDADO DE LAS HERRAMIENTAS CON BATERÍA

- **Recargue únicamente con el cargador especificado por el fabricante.** Un cargador que es adecuado para un tipo de batería puede crear un riesgo de incendio si se utiliza con otra batería.
- **Utilice las herramientas eléctricas únicamente con baterías específicamente diseñadas.** El uso de cualquier otra batería puede producir un riesgo de lesiones e incendio.
- **Cuando la batería no esté en uso, manténgala alejada de otros objetos metálicos como sujetapapeles, monedas, llaves, clavos, tornillos u otros objetos metálicos pequeños que puedan formar una conexión de una terminal a otra.** Crear un corto entre las terminales de la batería puede ocasionar quemaduras o un incendio.
- **Bajo condiciones de maltrato, el líquido puede ser expulsado de la batería, evite el contacto. En caso de contacto accidental, lave con agua. Si el líquido entra en contacto con los ojos, busque además ayuda médica.** El líquido expulsado de la batería puede causar irritación o quemaduras.
- **No use una batería o herramienta que se haya dañado o modificado.** Las baterías dañadas o modificadas pueden mostrar un comportamiento impredecible, causando incendios, explosión o riesgo de lesión.
- **No exponga una batería o herramienta al fuego o a temperatura excesiva.** La exposición a fuego o temperatura a más de 130°C (265°F) puede causar explosiones.
- **Siga todas las instrucciones de carga y no cargue la batería o la herramienta fuera del rango de temperatura especificado en las instrucciones.** La carga incorrecta o a temperaturas fuera del rango especificado puede dañar la batería y aumentar el riesgo de incendio.

MANTENIMIENTO

- **Lleve su herramienta eléctrica a servicio con un técnico calificado que use únicamente piezas de reemplazo idénticas.** Esto asegurará que la seguridad de la herramienta eléctrica se mantenga.
- **Nunca dé servicio a baterías dañadas.** Únicamente el fabricante o proveedores de servicio autorizados deben dar servicio a las baterías.

REGLAS ESPECÍFICAS DE SEGURIDAD PARA SIERRAS CALADORAS

- **Sostenga la herramienta eléctrica de las superficies de sujeción aisladas al llevar a cabo una operación en la que el accesorio de corte pueda hacer contacto con cableado oculto.** El contacto del accesorio de corte con un cable que conduzca

electricidad puede hacer que las partes metálicas de la herramienta se electrifiquen y podría ocasionar una descarga eléctrica al operador.

- **Utilice prensas de banco u otra forma práctica de sujetar y soportar la pieza de trabajo a una plataforma estable.** Sostener el trabajo en las manos o apoyado contra el cuerpo ocasiona inestabilidad y puede generar pérdida de control.
- **Mantenga las manos alejadas de todos los bordes cortadores y partes en movimiento.**

▲ ADVERTENCIA Para reducir el riesgo de lesiones, al momento de realizar trabajos en situaciones donde haya presencia de polvo, utilice la protección respiratoria adecuada o utilice una solución de extracción de polvo que cumpla con los requisitos de la OSHA.

- **Válgase siempre de su sentido común y sea cuidadoso cuando utilice herramientas.** No es posible anticipar todas las situaciones que podrían tener un desenlace peligroso. No utilice esta herramienta si no entiende estas instrucciones de uso o si considera que el trabajo a realizar supera sus capacidades, comuníquese con Milwaukee Tool o con un profesional capacitado para recibir capacitación o información adicional.
- **Conserva las etiquetas y las placas nominales.** Contienen información importante. Si son ilegibles o no están presentes, comuníquese con un centro de servicio MILWAUKEE para obtener un reemplazo gratuito.

- **▲ ADVERTENCIA** Algunos polvos generados por el lijado eléctrico, aserrado, pulido, taladrado y otras actividades de construcción contienen químicos identificados como causantes de cáncer, defectos congénitos u otros daños reproductivos. Algunos ejemplos de estos químicos son:
 - plomo de pintura basada en plomo
 - dióxido de silicio de los ladrillos y el cemento y otros productos de albañilería y
 - arsénico y cromo de madera con tratamiento químico.
 Su riesgo por estas exposiciones varía, dependiendo de la frecuencia con que realice este tipo de trabajo. Para reducir su exposición a estos químicos: trabaje en un área bien ventilada y trabaje con equipo de seguridad aprobado, como mascarillas protectoras contra polvo especialmente diseñadas para filtrar partículas microscópicas.

ESPECIFICACIONES

Volts.....	18 CD
Tipo de batería.....	M18™
Tipo de cargador.....	M18™
Temperatura ambiente recomendada para operar.....	-18°C a 50°C (0°F a 125°F)
Cat. No.....	2737-20
Sin carreras por minuto de carga.....	0 - 3 500
Longitud de la carrera.....	25 mm (1")
Cat No.....	2737B-20
Sin carreras por minuto de carga.....	800 - 3 500
Longitud de la carrera.....	25 mm (1")

SIMBOLOGÍA



Volts



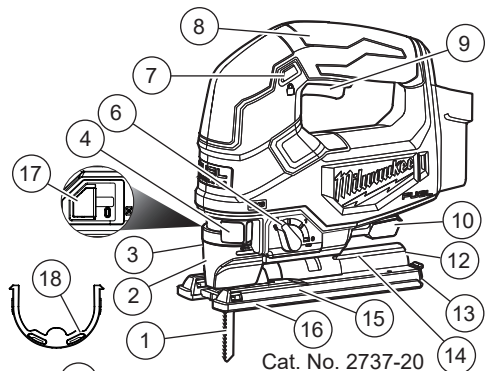
Corriente continua

n_s XXXX min⁻¹ Cortes por minuto sin carga (SPM)

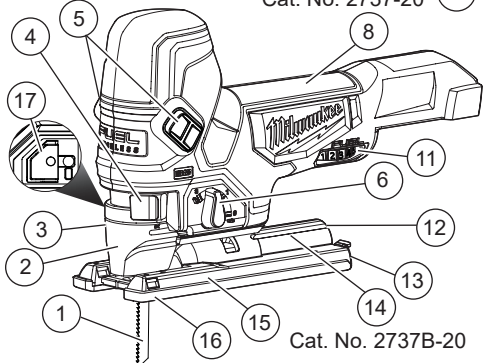


UL Listing Mark para Canadá y Estados Unidos

DESCRIPCION FUNCIONAL



Cat. No. 2737-20



Cat. No. 2737B-20

1. Cuchilla
2. Cubierta transparente de la cuchilla
3. LED
4. Palanca de tensión Quik-Lok
5. Interruptores corredizos de encendido/apagado
6. Palanca de selector de acción orbital
7. Botón de fijación
8. Mango
9. Interruptor
10. Palanca de ajuste de la zapata
11. Disco de velocidad variable
12. Canaleta de descarga de polvo
13. Llave/almacenamiento de la llave
14. Escala de ángulo de inclinación
15. Zapata
16. Cubierta de la zapata
17. Lanzadera del soplador
18. Cubierta del LED

ENSAMBLAJE

⚠ ADVERTENCIA Recargue la batería sólo con el cargador especificado para ella. Para instrucciones específicas sobre cómo cargar, lea el manual del operador suministrado con su cargador y la batería.

Como se inserta/quita la batería en la herramienta

Para **retirar** la batería, presione los botones de liberación y jale de la batería para sacarla de la herramienta.

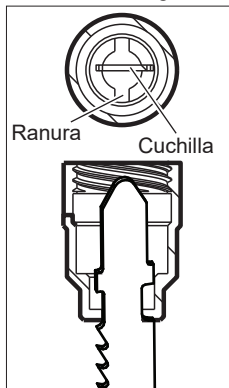
⚠ ADVERTENCIA Para reducir el riesgo de lesiones, extraiga siempre la batería antes de acoplar o desacoplar accesorios. Para **introducir** la batería, deslícela en el cuerpo de la herramienta. Asegúrese de que quede bien firme en su posición.

⚠ ADVERTENCIA Utilice únicamente accesorios específicamente recomendados para esta herramienta. El uso de accesorios no recomendados podría resultar peligroso.

Instalación de las hojas de la sierra

Solo use hojas de sierra caladora de vástago en T.

1. Extraiga la batería.
2. Empuje y sostenga la palanca de tensión Quik-Lok a la derecha para alinear las ranuras.
3. Embone la hoja de la sierra dentro de la lengüeta en el rodillo de soporte y empuje con firmeza dentro del émbolo hasta donde llegue; la orejeta de la hoja de la sierra debe estar en el émbolo.
4. Libere la palanca de tensión Quik-Lok para fijar la hoja de la sierra.
5. Revise que la hoja de la sierra esté sostenida con firmeza; la ranura en el émbolo estará en ángulo con la hoja.
6. Para **extraer** la hoja, empuje la palanca hacia la derecha y se expulsará la hoja.



Instalación de la cubierta transparente de la hoja

No use la cubierta transparente de la hoja y el dispositivo antiastillas al hacer cortes de bisel/ángulo.

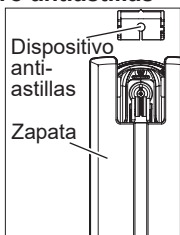
1. Extraiga la batería.
2. Para **instalar**, coloque la cubierta transparente de la hoja frente a la hoja y deslícela en su lugar. Las pestañas entrarán a presión en las ranuras de la carcasa.
3. Para **extraer**, presione los lados de la cubierta transparente de la hoja y jale hacia el lado contrario de la hoja.

Instalación del dispositivo antiastillas

El dispositivo antiastillas ayuda a estabilizar la pieza de trabajo y reducir las astillas de la pieza de trabajo.

NOTA: No use la cubierta transparente de la hoja y el dispositivo antiastillas al hacer cortes de bisel/ángulo.

1. Extraiga la batería.
2. Deslice el dispositivo antiastillas dentro de la zapata. Asegúrese de que el dispositivo antiastillas esté instalado al ras de la parte inferior de la zapata.



Instalación de la cubierta de la zapata

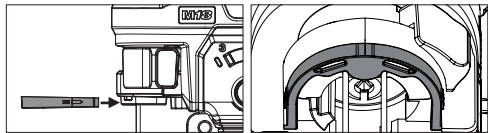
La cubierta de la zapata se usa para evitar que la superficie de la pieza de trabajo se marque o raye. Para sujetar la cubierta de la zapata:

1. Extraiga la batería.
2. Enganche la parte frontal de la cubierta por encima de la zapata de acero.
3. Coloque a presión la parte trasera de la cubierta de la zapata por encima de la parte trasera de la zapata. Asegúrese de que ambos lados estén puestos a presión en su lugar.
4. Cuando no se necesite la cubierta de la zapata, retírela jalando las pestañas hacia abajo en la parte trasera de la zapata. Desenganche la parte frontal de la cubierta de la zapata y retire.

Instalación de la cubierta de la luz LED

La cubierta para luz LED se utiliza para proteger la luz de tipo LED cuando se utiliza la herramienta en ciertas aplicaciones.

1. Extraiga la batería.



2. Deslice la cubierta por encima de la herramienta en la dirección indicada hasta que se fije en su lugar.
3. Para extraerla, jale las patas en dirección opuesta a la herramienta.

Ajuste de la zapata

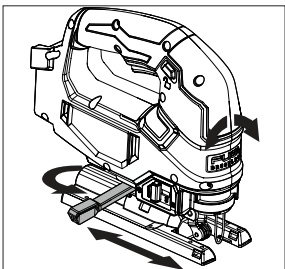
La zapata puede inclinarse hasta 45° en cualquier dirección.

NOTA: No use la cubierta transparente de la hoja y el dispositivo antiastillas al hacer cortes de bisel/ángulo.

Para fijar un ángulo de inclinación para los cortes de bisel/ángulo:

(Cat. No. 2737-20)

1. Extraiga la batería.
2. Afloje la palanca de ajuste de la zapata.
3. Jale la base ligeramente hacia adelante hasta que los topes no estén atorados.
4. Incline la zapata al ángulo preestablecido requerido (0°, 15°, 30° o 45°) y empuje la zapata hasta el tope.



5. Para fijar un ángulo que no sea el preestablecido, fije el ángulo deseado sin atorar un tope.

6. Apriete la palanca de ajuste de la zapata.

7. Haga un corte de prueba para verificar el ángulo.

NOTA: Si la zapata comienza a deslizarse cuando se aprieta la palanca, use la llave hexagonal de 4 mm almacenada en la zapata para apretar las llaves de dado del ajuste de la zapata. Retire la cubierta de la zapata, gire la herramienta y apriete fijamente las llaves de dado.

(Cat. No. 2737B-20)

NOTA: No intente hacer un corte de bisel con baterías mayores a 5,0 Ah. Las baterías mayores a 5,0 Ah podrían provocar que la batería golpee la pieza de trabajo durante el corte.

1. Extraiga la batería.
2. Extraiga la cubierta de la zapata:
3. Gire la herramienta de cabeza para exponer la parte inferior de la zapata.
4. Con una llave hexagonal de 4 mm almacenada en la zapata, afloje el tornillo de ajuste del bisel.
5. Jale la base ligeramente hacia adelante hasta que los topes no estén atorados.
6. Incline la zapata al ángulo preestablecido requerido (0°, 15°, 30° o 45°) y empuje la zapata hasta el tope.
7. Para fijar un ángulo que no sea el preestablecido, fije el ángulo deseado sin atorar un tope.
8. Apriete fijamente el tornillo.
9. Haga un corte de prueba para verificar el ángulo.



Selección de velocidad

Use velocidades menores para materiales como plásticos o laminados. Además, use velocidades menores para metales duros.

Use velocidades mayores para materiales como madera y metales suaves (aluminio, cobre, latón, etc.).

(Cat. No. 2737-20)

Para variar la velocidad, aumente o disminuya la presión sobre el gatillo. Mientras más se jale el gatillo, mayor será la velocidad.

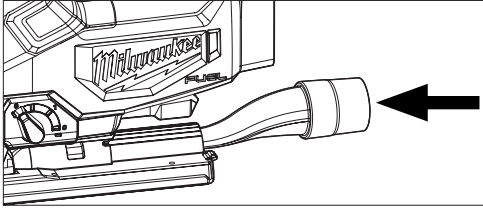
(Cat. No. 2737B-20)

Gire el disco selector de velocidad a la velocidad deseada (del 1 al 6). Seleccione "A" para el Inicio autocontrolado para arrancar a 1 500 SPM e impulsar a 3 500 SPM una vez que hace contacto con la pieza de trabajo.

ADVERTENCIA Para reducir el riesgo de lesiones, utilice una mascarilla o use una solución de extracción de polvo que cumpla con las normas de OSHA cuando trabaje en condiciones de mucho polvo.

Accesorio de recolección de polvo

NOTA: Para el 2737B-20, el accesorio de recolección de polvo no puede usarse con baterías mayores a 5,0Ah.



1. Extraiga la batería.
2. Para **instalar**, alinee el extremo pequeño del accesorio de recolección de polvo con el área curva en la parte trasera de la zapata. Deslice en su lugar.
3. Para **extraer**, jale el accesorio de lado contrario de la sierra.

Lanzadera del soplador

Ajuste la lanzadera del soplador a soplar aire hacia afuera por la parte frontal de la sierra caladora para quitar el polvo de la línea de corte.

Ajuste la lanzadera del soplador a soplar aire hacia afuera de la descarga de polvo con una solución de extracción de polvo.

OPERACION

ADVERTENCIA Para reducir el riesgo de lesiones, extraiga siempre la batería antes de acoplar o desacoplar accesorios. Utilice únicamente accesorios específicamente recomendados para esta herramienta. El uso de accesorios no recomendados podría resultar peligroso.

ADVERTENCIA Con el fin de minimizar el riesgo de lesiones, siempre utilice la protección de ojos adecuada indicada para cumplir con lo dispuesto en la norma ANSI Z87.1.

Para reducir el riesgo de lesión, asegúrese de que la hoja siempre se extienda más allá de la zapata y la pieza de trabajo a lo largo de la carrera. Las hojas pueden fragmentarse si chocan con la pieza de trabajo.

Para encender y detener la herramienta

(Cat. No. 2737-20)

1. Para **encender** la herramienta, sujete la empuñadura firmemente y jale el gatillo.
2. Para **variar** la velocidad, aumente o disminuya la presión sobre el gatillo. Mientras más se jale el gatillo, mayor será la velocidad.
3. Para **detener** la herramienta, suelte el gatillo. Permita que la herramienta se detenga por completo antes de extraer la hoja de un corte parcial o dejar la herramienta sobre una superficie.

(Cat. No. 2737B-20)

1. Ajuste el disco de control de velocidad a la velocidad deseada.
2. Para **encender** la herramienta, oprima el interruptor corredizo hacia adelante hasta que se encienda la herramienta y libere.

3. Para **variar** la velocidad, gire el disco de velocidad variable.

4. Para **detener** la herramienta, oprima el interruptor corredizo y libere. Permita que la herramienta se detenga por completo antes de extraer la hoja de un corte parcial o dejar la herramienta sobre una superficie.

NOTA: Si el interruptor se oprime por más de 3 segundos, la herramienta se apagará.

Bloqueo del gatillo

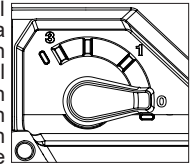
(Cat. No. 2737-20)

Para **bloquear** el gatillo, empuje el seguro del gatillo desde el lado de bloqueo de la herramienta. El gatillo no funcionará mientras el interruptor está en posición de bloqueado. Siempre bloquee el gatillo y extraiga la batería antes de dar mantenimiento y cambiar los accesorios. Bloquee el gatillo cuando guarde la herramienta y cuando esta misma no esté en uso.

Para **desbloquear** el gatillo, empuje el seguro del gatillo desde el lado de desbloqueo de la herramienta.

Cómo ajustar la acción orbital

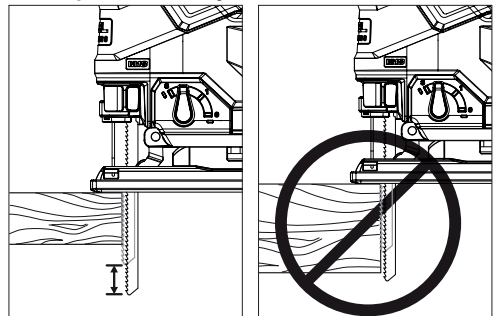
La cantidad de acción orbital puede ajustarse con la palanca de selector de acción orbital. En general, una acción orbital grande (3) puede utilizarse con materiales suaves y una acción no orbital (0) puede utilizarse con materiales duros. Cuando se requiera un corte liso, deberá utilizarse la acción no orbital (0).



Material	Acción orbital
Madera	0-3
Metal	0-1
Aluminio	0-1
Plástico	0-2
Corte liso	0

ADVERTENCIA Para reducir el riesgo de la herida, no empiece el instrumento con la hoja que contacta el workpiece.

Para reducir el riesgo de lesión, asegúrese de que la hoja siempre se extienda más allá de la zapata y la pieza de trabajo a lo largo de la carrera. Las hojas pueden fragmentarse si chocan con la pieza de trabajo.



Cómo realizar el corte

1. Ajuste la acción orbital de acuerdo al material que va a cortar.
2. Coloque la herramienta con la parte frontal de la zapata en la pieza de trabajo y haga arrancar la herramienta.
3. Sujete la máquina de manera firme contra la pieza de trabajo y guíela a lo largo de la línea de corte deseada. No la haga avanzar en la pieza de trabajo ejerciendo demasiada presión, ya que la presión ligera en la cuchilla logrará la velocidad de corte óptima.

Técnicas de corte especiales

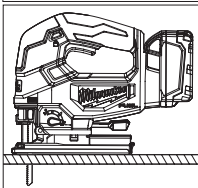
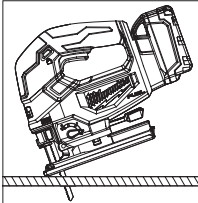
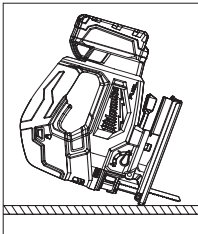
1. **Cortes rectos** – Para obtener un corte perfectamente recto, sujete un pedazo de madera en calidad de guía a lo largo de la pieza de trabajo o use una guía de corte (accesorio).
2. **Cortes en bisel** – ajuste la zapata al ángulo correcto (consulte la sección “Como ajustar la zapata”).
3. **Corte de chapas metálicas** – las chapas metálicas pueden vibrar durante el corte. Para minimizar la vibración, sujete la pieza de trabajo a una base de madera.

⚠ADVERTENCIA Para reducir el riesgo de explosión, descarga eléctrica y daños a la propiedad, verifique que en el área de trabajo donde realizará cortes ciegos o penetrantes no hayan tuberías de gas, cables ni tuberías de agua ocultas.

Cómo realizar cortes de hundimiento

Los cortes de hundimiento pueden realizarse en materiales suaves sin la necesidad de un orificio pretaladrado. Los materiales más duros requieren un orificio piloto con un diámetro un poco mayor que el ancho de la cuchilla. Para realizar el corte de hundimiento:

1. Ajuste la palanca de selector de acción orbital a 0.
2. Asegúrese que nada debajo del área de corte deseado sufra daños.
3. Sin encender la herramienta, coloque el borde frontal de la zapata de manera estable sobre la superficie de trabajo.
4. Alinee la cuchilla con la línea de corte deseada, pero manténgala por encima de la pieza de trabajo.
5. Usando el borde frontal de la zapata en calidad de pivote, encienda la herramienta y gradualmente descienda la cuchilla en la pieza de trabajo.
6. Cuando la zapata quede completamente apoyada de forma plana sobre la pieza de trabajo, se producirá un corte normal.



MANTENIMIENTO

⚠ADVERTENCIA Para reducir el riesgo de una lesión, desconecte siempre la herramienta antes de darle cualquier mantenimiento. Nunca desarme la herramienta ni trate de hacer modificaciones en el sistema eléctrico de la misma. Acuda siempre a un Centro de Servicio MILWAUKEE para TODAS las reparaciones.

Mantenimiento de las herramientas

Adopte un programa regular de mantenimiento y mantenga su herramienta en buenas condiciones. Inspeccione la herramienta para problemas como ruidos indebidos, desalineadas o agarradas de partes móviles, piezas rotas o cualquier otra condición que pueda afectar el funcionamiento de la herramienta. Envíe su herramienta al Centro de Servicio MILWAUKEE para reparación. Después de 6 meses a un año, dependiendo del uso dado, envíe su herramienta al Centro de Servicio MILWAUKEE más cercano para la inspección. Si la herramienta no arranca u opera a toda su potencia con una batería completamente cargada, limpie, con una goma o borrador, los contactos de la batería y de la herramienta. Si aun así la herramienta no trabaja correctamente, regrésela, con el cargador y la batería, a un centro de servicio MILWAUKEE.

⚠ADVERTENCIA Para reducir el riesgo de lesiones, descarga eléctrica o daño a la herramienta, nunca la sumerja en líquidos ni permita que estos fluyan dentro de la misma.

Limpieza

Limpie el polvo y suciedad de las ventilas. Mantenga los mangos limpios, secos y libres de aceite o grasa. Use solo jabón neutro y un trapo húmedo para limpiar, ya que algunos substancias y solventes limpiadores son dañinos a los plásticos y partes aislantes. Algunos de estos incluyen: gasolina, turpentina, thinner, lacas, thinner para pinturas, solventes para limpieza con cloro, amoníaco y detergentes caseros que tengan amonía. Nunca usa solventes inflamables o combustibles cerca de una herramienta.

Reparaciones

Si su herramienta, batería o cargador están dañados, envíela al centro de servicio autorizado más cercano.

ACCESORIOS

⚠ADVERTENCIA Utilice sólo los accesorios específicamente recomendados. Otros accesorios puede ser peligroso.

Para una lista completa de accesorios, visite nuestro sitio en Internet: www.milwaukeetool.com o póngase en contacto con un distribuidor.

SOPORTE DE SERVICIO - MEXICO

CENTRO DE ATENCION A CLIENTES

Techtronic Industries Mexico, S.A. de C.V.

Av. Presidente Masarik 29 Piso 7

11560 Polanco V Seccion

Miguel Hidalgo, Distrito Federal, México

01 (800) 030-7777 o (55) 4160-3540

Lunes a Viernes (9am a 6pm)

O contáctanos en www.milwaukeetool.com.mx

GARANTÍA LIMITADA - E.U.A. Y CANADÁ

Cada herramienta eléctrica* de MILWAUKEE (ver excepciones a continuación) está garantizada para el comprador original únicamente de que no tenga material y mano de obra defectuosos. Sujeto a ciertas excepciones, MILWAUKEE reparará o reemplazará cualquier parte en una herramienta eléctrica que tenga defectos de material o mano de obra según lo determine MILWAUKEE mediante una revisión, por un periodo de cinco (5) años** después de la fecha de compra a menos que se indique lo contrario. Al devolver la herramienta eléctrica a un Centro de Servicio de la fábrica de MILWAUKEE o a una Estación de Servicio Autorizada de MILWAUKEE, se requiere que el flete esté pagado por adelantado y asegurado. Se debe incluir una copia del comprobante de compra con el producto devuelto. Esta garantía no aplica a daños que MILWAUKEE determine que son ocasionados por reparaciones o intentos de reparaciones realizados por una persona que no sea personal autorizado de MILWAUKEE, uso indebido, alteraciones, maltrato, desgaste normal, falta de mantenimiento o accidentes.

Desgaste normal: Muchas herramientas eléctricas necesitan un reemplazo periódico de partes y servicio para lograr el mejor desempeño. Esta garantía no cubre la reparación cuando el uso normal ha agotado la vida de una parte, incluyendo sin limitar a mandriles, cepillos, cables, zapatas de la sierra, abrazaderas de la hoja, anillos en O, sellos, protectores, hojas de desatornilladores, pistones, herrajes, levantadores y arandelas de cubierta de los protectores.

*Esta garantía no cubre clavadoras y grapadoras neumáticas, pistola de pintura a presión, baterías inalámbricas, generadores de energía portátil de gasolina, herramientas de mano, palanca y cadena de mano de polipasto - eléctricas, instrumentaria calefactada M12™, producto reacondicionado y productos de prueba y medición. Existen garantías por separado y distintas disponibles para estos productos.

**El periodo de garantía para los radios para obra, puerto de energía M12™, fuente de poder M18™, ventiladores para obra y carretillas de trabajo industrial Trade Titan™ es de un (1) año a partir de la fecha de compra. El periodo de garantía para los cables de limpieza de drenaje y AIRSNAKE™ los accesorios de pistola de aire de limpieza de drenaje es de dos (2) años a partir de la fecha de compra. El periodo de garantía de la pistola de calor compacta M18™, Extractor de polvo de 8 galones, M18™ enmarcar clavadoras, M18 FUEL™ 1/2" yunque prolongado torque controlado llave de impacto con ONE-KEY™, y M18 FUEL™ 1" llave de impacto de alto esfuerzo de torsión con ONE-KEY™ es de tres (3) años a partir de la fecha de compra. El periodo de garantía de las lámparas de LED en la Lámpara de trabajo LED y el Bulbo mejorado de LED para la Luz de trabajo es por la vida del producto sujeto a las limitaciones anteriores. Si durante el uso normal el LED o Bulbo de LED falla, la parte será reemplazada sin cargo.

No se requiere el registro de la garantía para obtener la garantía correspondiente a un producto de herramienta eléctrica de MILWAUKEE. La fecha de manufactura del producto se utilizará para determinar el periodo de garantía si no se proporciona comprobante de compra al solicitar el servicio en garantía.

LA ACEPTACIÓN DE LOS REMEDIOS EXCLUSIVOS DE REPARACIÓN Y REEMPLAZO AQUÍ DESCRITOS ES UNA CONDICIÓN DEL CONTRATO PARA LA COMPRA DE TODO PRODUCTO DE MILWAUKEE. SI USTED NO ACEPTA ESTA CONDICIÓN, NO DEBE COMPRAR EL PRODUCTO. MILWAUKEE NO SERÁ RESPONSABLE EN NINGÚN CASO DE DAÑOS INCIDENTALES, ESPECIALES, EMERGENTES O PUNITIVOS NI DE NINGÚN COSTO, HONORARIOS LEGALES, GASTOS, PÉRDIDAS O DEMORAS ALEGADOS COMO CONSECUENCIA DE ALGÚN DAÑO, FALLA O DEFECTO EN NINGÚN PRODUCTO, INCLUYENDO, ENTRE OTROS, RECLAMACIONES POR PÉRDIDA DE UTILIDADES. ALGUNOS ESTADOS NO PERMITEN LA EXCLUSIÓN O LIMITACIÓN DE RESPONSABILIDAD POR DAÑOS INCIDENTALES O EMERGENTES, POR LO QUE LA ANTERIOR LIMITACIÓN O EXCLUSIÓN PODRÍA NO APLICARSE EN SU CASO. ESTA GARANTÍA ES EXCLUSIVA Y REEMPLAZA TODAS LAS DEMÁS GARANTÍAS EXPRESAS, ES-

CRITAS U ORALES. EN LA MEDIDA EN QUE LO PERMITA LA LEY, MILWAUKEE DESCONOCE, CUALQUIER GARANTÍA IMPLÍCITA, INCLUYENDO SIN LIMITACIÓN CUALQUIER GARANTÍA IMPLÍCITA DE COMERCIABILIDAD O IDONEIDAD PARA UN FIN O USO ESPECÍFICO; EN LA MEDIDA EN QUE DICHO DESCONOCIMIENTO NO SEA PERMITIDO POR LA LEY, DICHAS GARANTÍAS IMPLÍCITAS SE LIMITAN A LA DURACIÓN DE LA GARANTÍA EXPRESA CORRESPONDIENTE SEGÚN SE DESCRIBIÓ ANTERIORMENTE. ALGUNOS ESTADOS NO PERMITEN LIMITACIONES SOBRE LA DURACIÓN DE UNA GARANTÍA IMPLÍCITA, POR LO QUE LA ANTERIOR LIMITACIÓN PODRÍA NO APLICARSE A USTED. ESTA GARANTÍA LE DA DERECHOS LEGALES ESPECÍFICOS Y USTED PODRÍA ADEMÁS TENER OTROS DERECHOS QUE VARIAN DE UN ESTADO A OTRO.

Esta garantía aplica al producto vendido en los Estados Unidos y Canadá únicamente.

Consulte la "Búsqueda de centro de servicio" en la sección de Partes y servicio del sitio web de MILWAUKEE en www.milwaukeetool.com o llame al 1.800.SAWDUST (1.800.729.3878) para localizar su centro de servicio más cercano para darle servicio con y sin garantía a una herramienta eléctrica de Milwaukee.

PÓLIZA DE GARANTÍA - VALIDA SOLO PARA MEXICO, AMÉRICA CENTRAL Y EL CARIBE

La garantía de TECHTRONIC INDUSTRIES es por 5 años a partir de la fecha original de compra.

Esta tarjeta de garantía cubre cualquier defecto de material y mano de obra en ese Producto.

Para hacer válida esta garantía, presente esta tarjeta de garantía, cerrada/sellada por el distribuidor o la tienda donde compró el producto, al Centro de Servicio Autorizado (ASC). O, si esta tarjeta no se ha cerrado/sellado, presente la prueba original de compra a ASC. Llame 55 4160-3547 para encontrar el ASC más cercano, para servicio, partes, accesorios o componentes.

Procedimiento para hacer válida esta garantía

Lleve el producto a ASC, junto con la tarjeta de garantía cerrada/sellada por el distribuidor o la tienda donde compró el producto, y cualquier pieza o componente defectuoso se reemplazará sin costo para usted. Cubriremos todos los costos de flete con relación a este proceso de garantía

Excepciones

Esta garantía no tendrá validez en las siguientes situaciones:

- Cuando el producto se use de manera distinta a la que indica el manual del usuario final o de instrucciones.
- Cuando las condiciones de uso no sean normales.
- Cuando otras personas no autorizadas por TECHTRONIC INDUSTRIES modifiquen o reparen el producto.

Nota: si el juego de cables está dañado, tiene que reemplazarse en un Centro de Servicio Autorizado para evitar riesgos eléctricos.

CENTRO DE SERVICIO Y ATENCIÓN

Llame al 55 4160-3547

IMPORTADO Y COMERCIALIZADO POR

TECHTRONIC INDUSTRIES, MÉXICO, S.A. DE C.V.

Miguel de Cervantes Saavedra No.301 Piso 5, Torre Norte

11520 Colonia Ampliación Granada

Miguel Hidalgo, Ciudad de Mexico, Mexico

Modelo: _____

Fecha de Compra: _____

Sello del Distribuidor: _____

MILWAUKEE TOOL
13135 West Lisbon Road
Brookfield, WI 53005 USA

58142745d3
1/1/19

961012624-03(A)
Printed in Vietnam