

1630-2/1630-2 FC Earth Ground Clamp

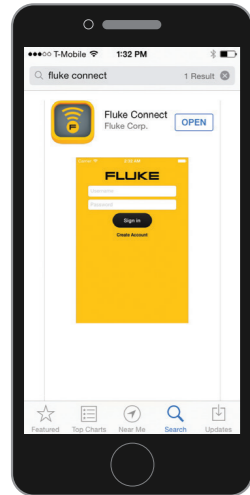
Warning

To prevent possible electrical shock, fire, or personal injury read the "1630-2/1630-2 FC Safety Information" before you use this Product.

Consult user documentation.

Go to www.fluke.com to register your product and find more information.

Install Fluke Connect® App



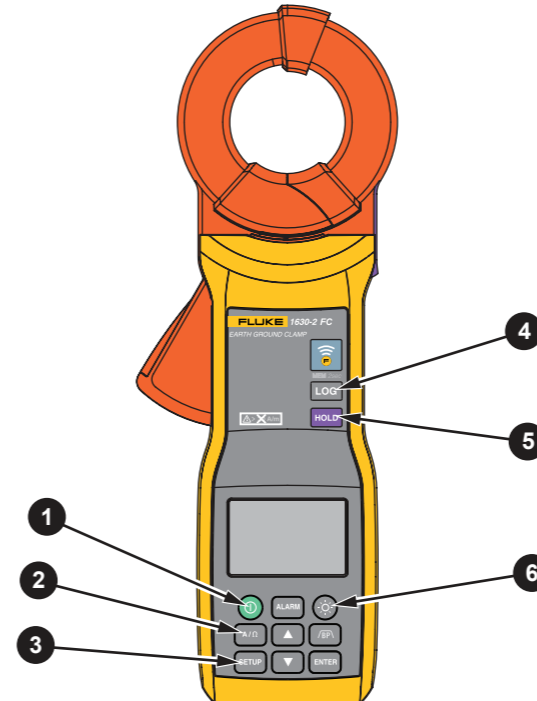
FLUKE CONNECT Be ready with measurement data. With the Fluke Connect® Measurements app, you can save equipment measurements to the cloud and share them or reference them at any time. Connect with your team using Fluke Connect® wireless tools and the Fluke Connect Measurement app.

For more information about Fluke Connect, contact us at 844-427-2296 or visit www.flukeconnect.com.

Wireless Radio Setup (1630-2 FC)

1. Press the power button.
2. Press the function button (A/Ω).
3. Enable Bluetooth in iOS Settings or Android Settings.
4. Tap the '1630-2FC' device in the Fluke Connect app.
5. Tap the '1630-2FC' device in the app.
6. Tap the 'CAPTURE' button on the app.
7. Tap the 'Done' button on the app.

Clamp Functions



- 1 Power ON/OFF**
 = ON >2 s = OFF
 >20 m (no use) = Auto-Off
- 2 Function Switch**
 Toggle between Current and Resistance function.
- 3 Setup**
 >
 - Log interval
 - Alarm threshold
 - Time
 - Clamp settings

For complete instructions go to www.fluke.com to view or download the users manual.

- 4 Log Measurements**
 = on the display.
- View Memory**
 >2 s = ID# 00 1000
- Clear Memory**
 >2 s to confirm
- 5 Hold**
 the displayed value
- 6 Backlight**
 = ON/OFF

Backlight Auto-Off Setup

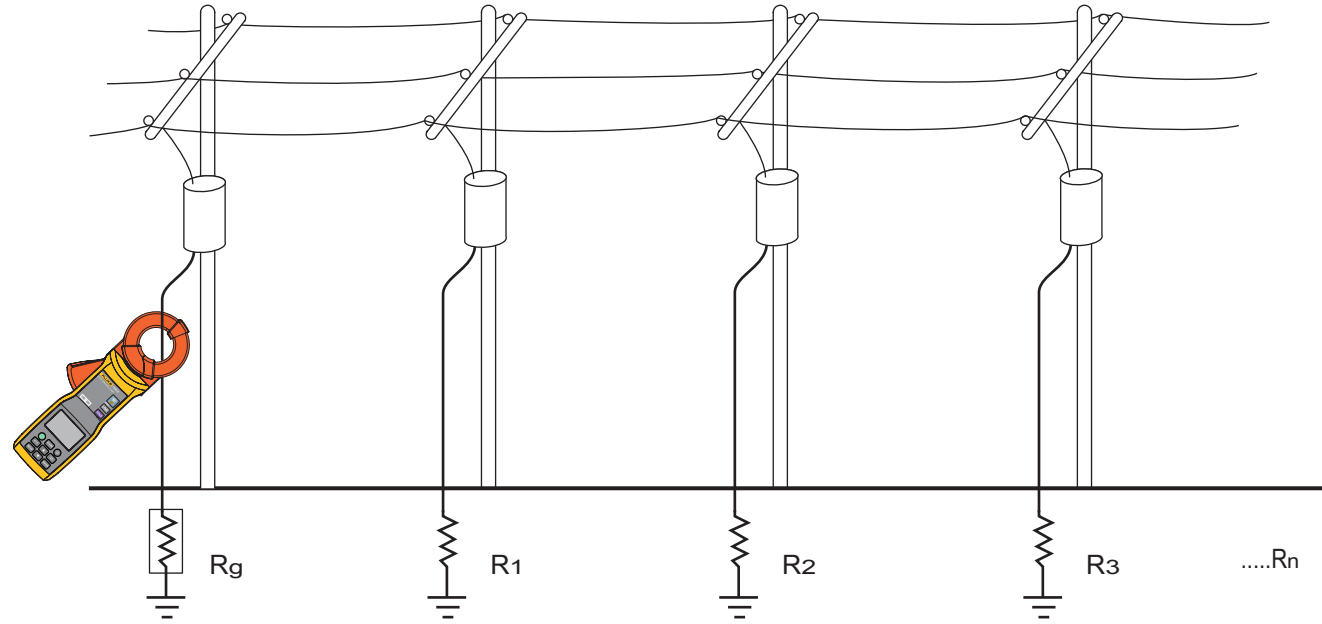
1. until **bl:** shows
2.

When on, >2 m (no use) = Backlight Auto-Off
3. to confirm
4. > Measurement Mode

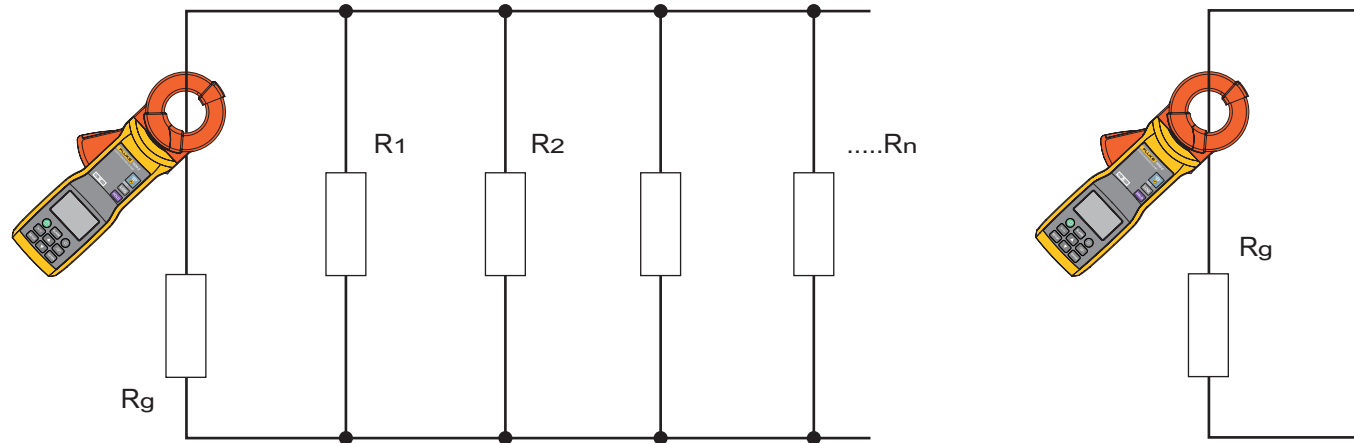
Measurements

Ground Resistance

Ground resistance measurements principle:

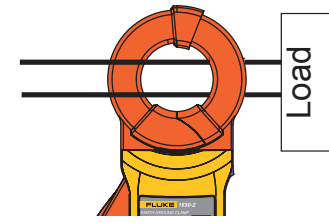


Equivalent circuit diagram:

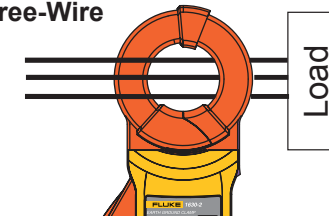


AC Leakage Current

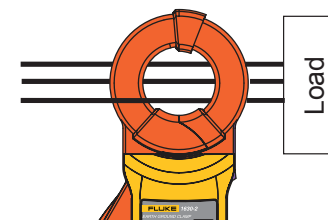
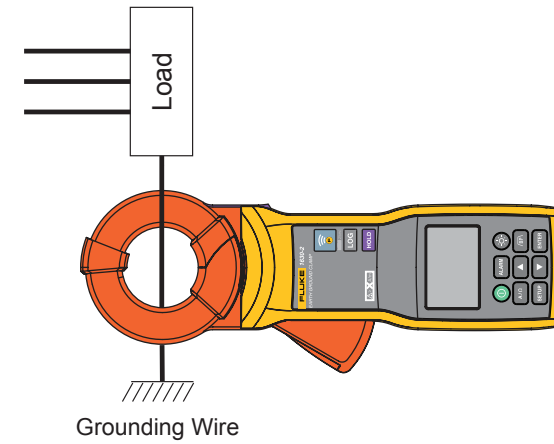
Single-Phase Two-Wire Circuit



Single-Phase Three-Wire or Three-Phase Three-Wire Circuit



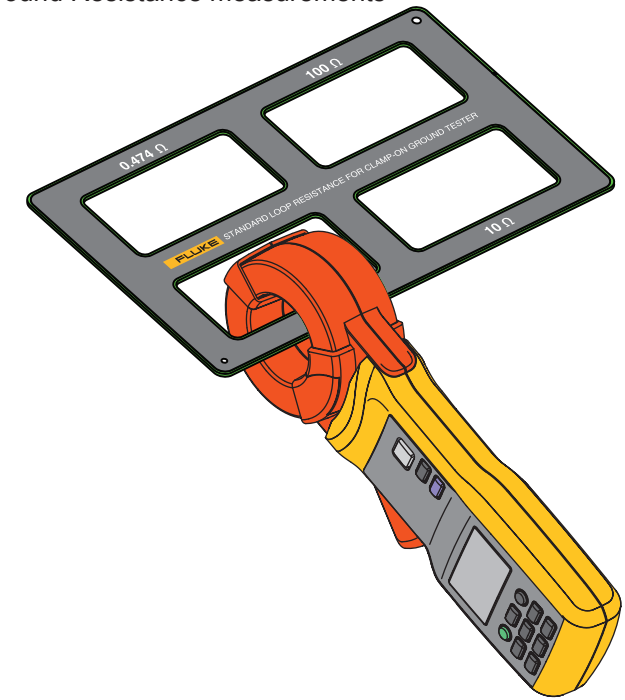
Load Current



Insert only one of the wires through the jaws

Standard Loop Resistance

Check the Clamp before Ground Resistance measurements



Battery

