

## Weather Proof Cover - Plastic In-Use Weatherproof Cover, Single-Gang, Vrt, 3.125" Clear

Item WP1010C



### PRODUCT DESCRIPTION

Plastic In-Use Weatherproof Covers are easy to install and include adhered gasket, mounting screws, base, cover assembly and inserts to meet the needs of a variety of applications.

### FEATURES

- ▶ Complies with 2020 NEC Article 314.15 for damp and wet locations
- ▶ UL Certified for Type 3R outdoor enclosures
- ▶ Meets requirements for cold impact testing: -60° F (-51° C)
- ▶ Heavy-duty UV stabilized polycarbonate cover, mounting base and inserts
- ▶ 1/8" (3 mm) thick, pre-adhered neoprene gasket with slits for mounting screws
- ▶ Three inserts provided with all models that allow each model to meet multiple installations (up to 8 configurations)
- ▶ Max cord size: (2) #14 AWG or (1) #12 AWG
- ▶ Warranty: 1-year limited

### APPLICATIONS

- ▶ Receptacle Protection

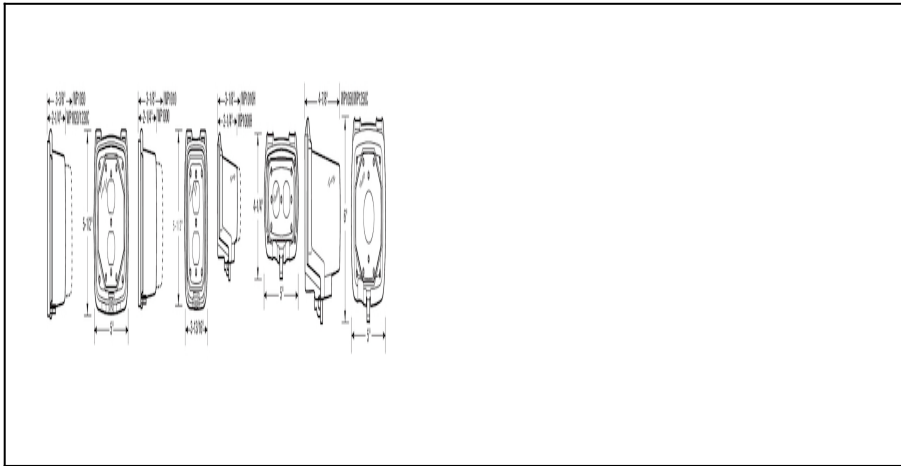
### TECHNICAL DATA

General	
Model Number	WP1010C
Description	Plastic In-Use Weatherproof Cover, Single-Gang, Vrt, 3.125" Clear
UPC Code	078275022522
Brand	Intermatic
Country of Origin (Intermatic)	MEXICO
Warranty Period	1-Year limited
Mechanical Specifications	
Number of Included Inserts	3
Insert Types Included	WP17
Hinge Direction	Vertical
Is Extra-Duty Rated	No
Dimensions	
Product Dimensions (H x W x D) in	5 1/2 x 3 4/5 x 3 1/8 in
Accepted Cord Size Max	2x14 AWG; 1x12 AWG
Box Type	Single
Material Specifications	
Color	Clear
Weatherproof Cover Material	UV Stabilized Plastic
Packaging	
Unit Carton Dimensions (H x W x L) in	8.13 x 5.5 x 4.13 in

**Standards and Certifications**

UL Certification	UL
California Proposition 65	None

**DRAWINGS AND DIAGRAMS**



---

## ACCESSORIES



WP17  
Single-Gang Inserts (3)