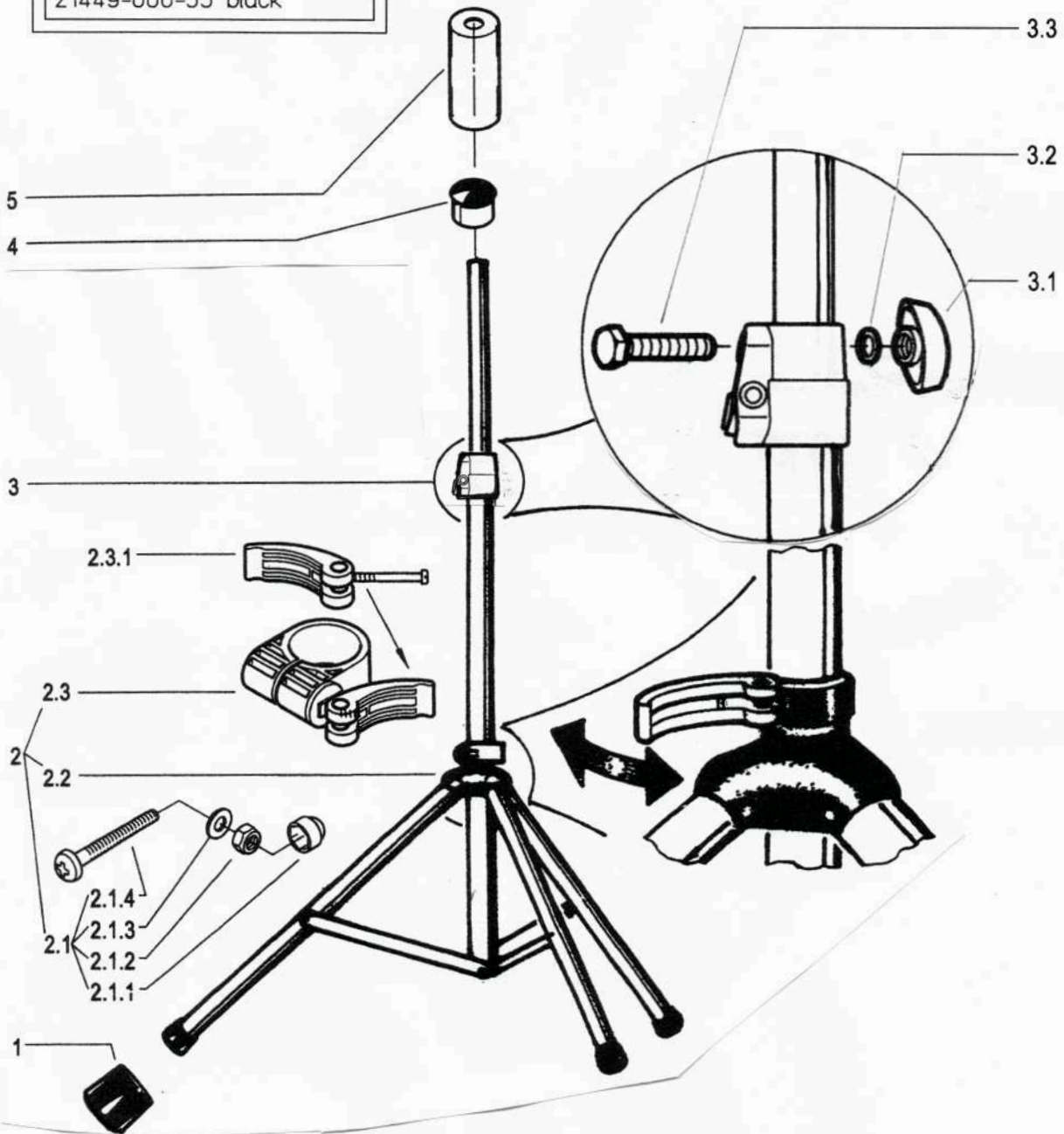


21449 Speaker Stand

21449-000-55 black



pos.	description	art.-no.	qty.
1	floor caps	7-214-500155	3
2	great clamp, cpl. (w/3 screwings)	7-214-501155	1
2.1	screwing kit	7-214-501200	1
2.1.1	head cap	03-20-405-55	3
2.1.2	nut M5	03-08-240-29	3
2.1.3	washer ø5,3	03-11-330-25	3
2.1.4	pan head screw M5x50mm	03-05-415-29	3
2.2	clamp, cabin	7-214-500755	1
2.3	ring w/latch	7-214-501055	1
2.3.1	latch M6x63mm	7-214-500363	1
3	clamping clip cpl.	03-22-433-55	1
3.1	locking nut M8	01-83-980-55	1
3.2	washer ø8,4mm	03-11-520-25	1
3.3	hexagon screw M8x40 mm	03-01-570-25	1
4	end cap for extraction tube	7-214-500655	1
5	adaptor sleeve ø38mm (1-1/2")	21326-000-55	1

SPARE PARTS SPEAKER STANDS

SS
21449