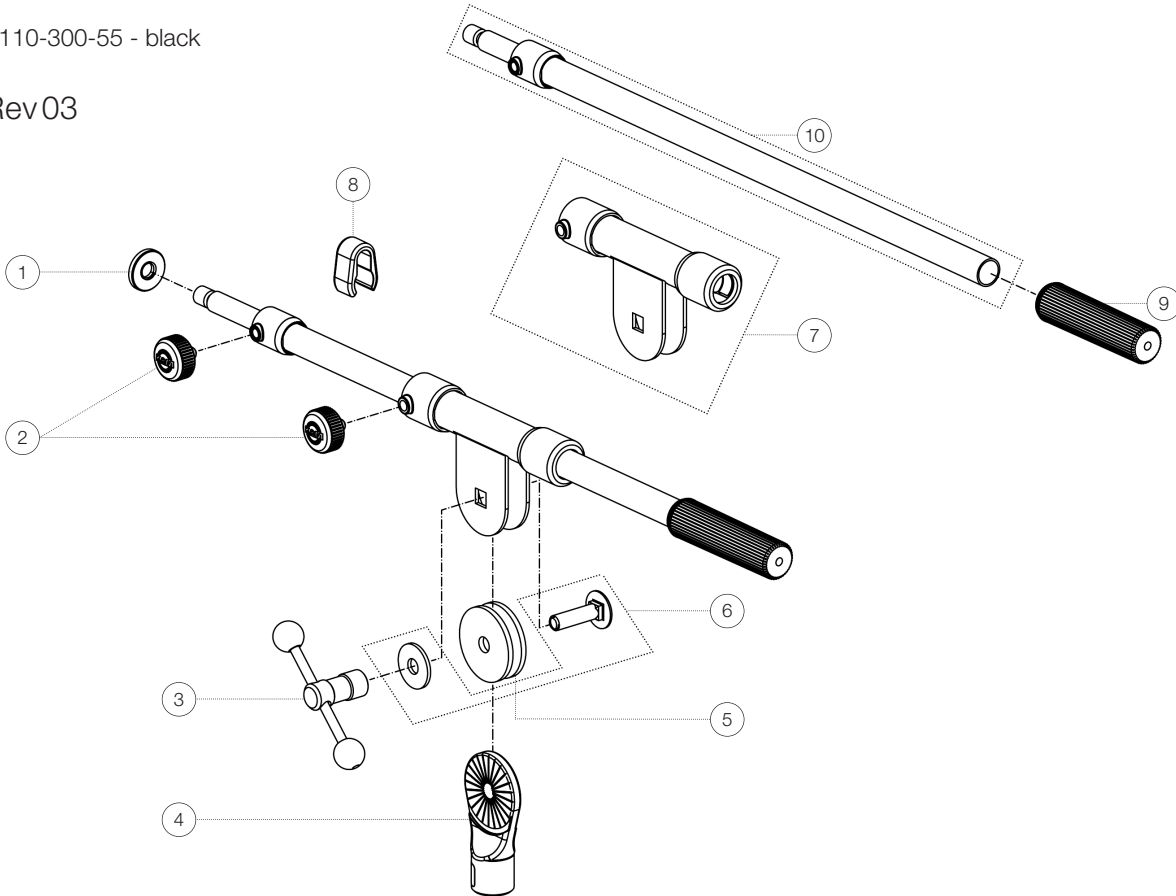


Spare parts list

# 211/1 Boom arm

21110-300-55 - black

\*Rev03



Position	Description	Article No.	Quantity
1	Aluminum knurled washer	03-31-550-15	1
2	Knurled screw with logo M6 x 12 mm	01-82-828-55	2
3	T-bar locking screw	6-30351-1-55	1
4	Swivel head 3/8"	02-40-430-55	1
5	Rubber washer	03-21-161-55	2
6	Screw connection boom arm	3-00-000-019	1
7	Swivel joint complete	6-21110-5-55	1
8	Cable holder ø 15 mm	01-85-960-55	1
9	Boom arm sleeve	01-95-845-55	1
10	Tube combination	3-00-000-144	1