



The TILOBEMAXX[®] Dental Implant System

*TiLobe[®] - Indication Specific Implants
from Ø3.5 - 9.0mm*



Challenge - Conventional Implants

A conventional implant is often not suited for immediate placement in the molar extraction socket.

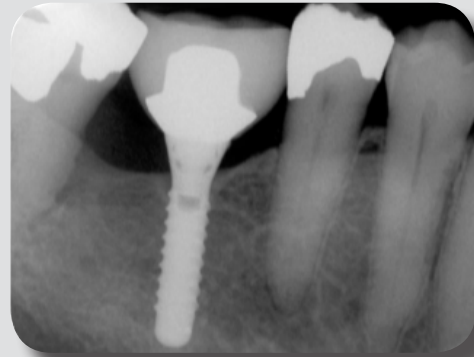
Standard Treatment Plan

- Molar extraction
- Possible socket graft
- 3-4 months healing
- Implant placement
- 3-4 months healing
- Restoration



Challenges:

- Increased treatment time
- Loss of alveolar bone volume
- Cantilever effect
- Off-axis loading
- Screw loosening & material failure
- Food traps
- Poor esthetics
- Patient dissatisfaction



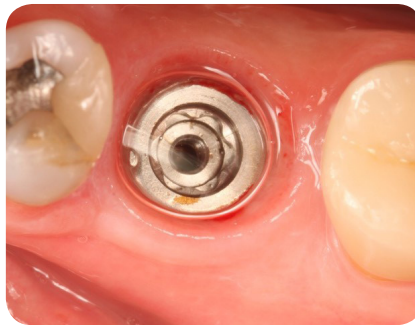
Innovation - TILOBEMAXX® Dental Implants

TILOBEMAXX® Dental Implant System Treatment Plan

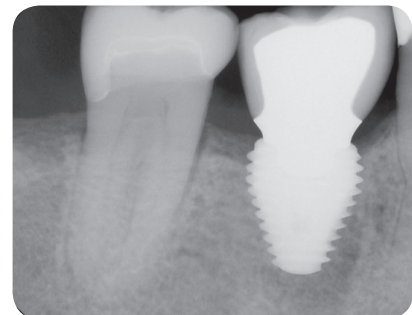
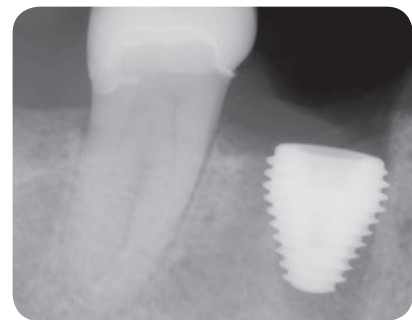
- Molar extraction
- Implant placement
- 3-4 months healing
- Restoration

Optimized Outcome:

- **Shorter treatment time**
- **Stable bone levels^{1,2}**
- **Ideal soft-tissue**
- **Even force distribution**
- **No food traps**
- **Excellent esthetics**
- **Patient satisfaction**



Courtesy: Richard B. Smith, DDS



1. Surgical Protocol and Short-Term Clinical Outcome of Immediate Placement in Molar Extraction Sockets Using a Wide Body Implant; Stefan Vandeweghe, André Hattingh, Ann Wennerberg, Hugo De Bruyn

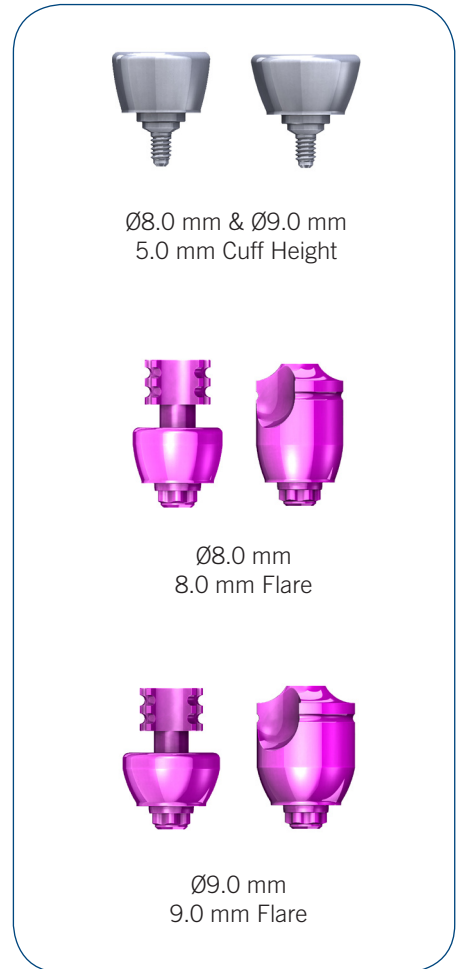
2. A Retrospective, Multicenter Study on a Novo Wide-Body Implant for Posterior Regions; Stefan Vandeweghe, Andrew Ackermann, John Bronner, André Hattingh, Alex Tschakaloff, Hugo De Bruyn

Immediate Placement in a Molar Extraction Socket



The TILOBEMAXX® Implant:

- Allows for immediate placement in a multi-rooted molar extraction socket
- Fits the natural architecture of the site
- Maximizes bone preservation
- Available in diameters of Ø7.0, 8.0 & 9.0 mm
- Lengths of 7.0, 9.0, & 11.0 mm
- Optimized soft tissue embrasure space



Images courtesy: Dr. Mariano Polack

“The TILOBEMAXX® implant is truly a game-changing development in implant dentistry. For immediate placement in molar extraction sites, particularly when there is no septal bone, the TILOBEMAXX® is not only the best choice, but quite often is the ONLY choice! The superb initial stabilization along with its ideal wide prosthetic platform provides for predictable, anatomically compatible, and simplified outcomes in immediate molar implant restorations.”

- Richard B. Smith, DDS - Specialized Dentistry of New York

Clinicians around the world have successfully used the wide diameter implant for their immediate molar cases since 2006.

“The placement of the TILOBEMAXX® dental implant in immediate molar extraction sites has been a tremendous value to our practice and more importantly to our patients and referrals. The TILOBEMAXX® implant has significantly changed our management of molar extraction sites where we now provide predictable and highly successful immediate implant placement at the time of molar extraction. This technique has benefited our patients by reducing the number surgical procedures and the overall treatment time, which translates to less appointments and less time away from home or work.”

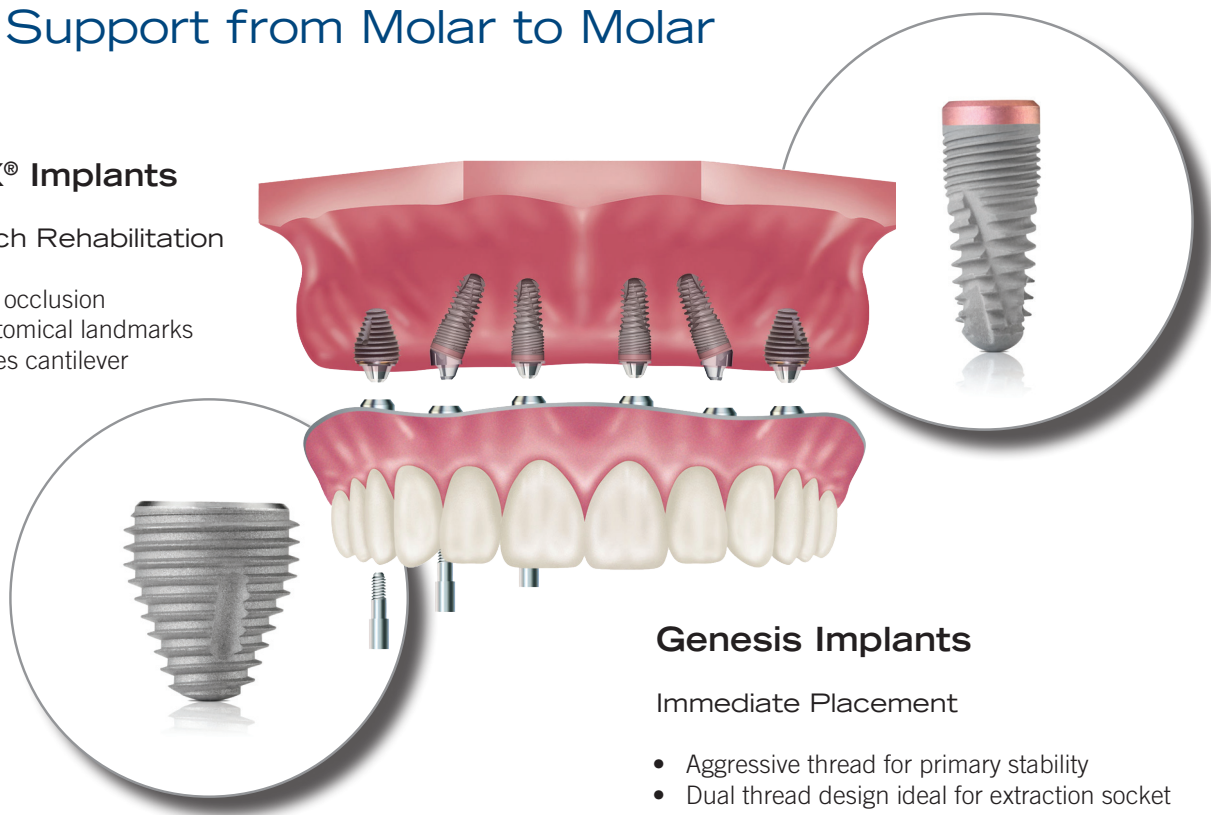
- Dr. Will, DDS, MD, FACS, Oral Surgeon

The Keystone Arch - Complete Support from Molar to Molar

TILOBEMAXX® Implants

Immediate Full Arch Rehabilitation

- Allows for first molar occlusion
- Avoids posterior anatomical landmarks
- Reduces or eliminates cantilever



Genesis Implants

Immediate Placement

- Aggressive thread for primary stability
- Dual thread design ideal for extraction socket
- 17° & 30° angled multi-unit abutments