

PRE-CHECK

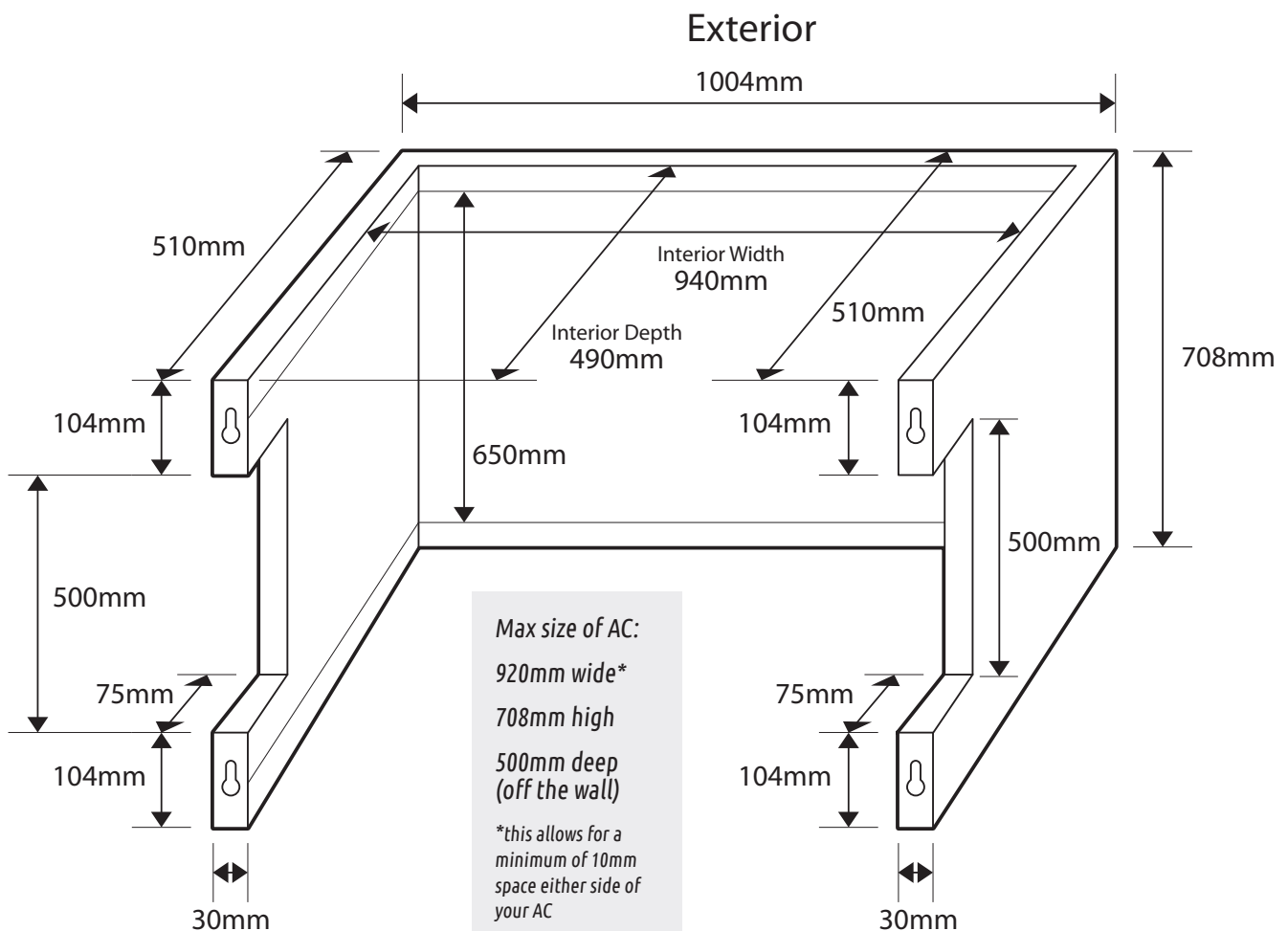
OUR UNIVERSAL COVERS WERE BUILT TO ACCOMMODATE:

- External AC systems up to 920mm wide x *708/650mm H x 500mm deep
** 708mm high if the L shaped brackets do not come off the wall more than 490mm.
 650mm high if the L shaped brackets come off the wall more than 490mm.*
- The majority of AC systems up to 24,000 BTU/7kw (ducted and split external units) and most 3-1 Multi split external units
- L shaped brackets/supports that are 500mm long off the wall
- Interconnecting pipes either in/out of plastic trunking and up to 75mm deep entering the AC system from either the left or right
- Interconnecting pipes entering the AC system from either the top or bottom whether in or out of plastic trunking (usually installed tucked behind the AC system).

Before ordering please follow this guide to help you ensure your cover will fit perfectly.

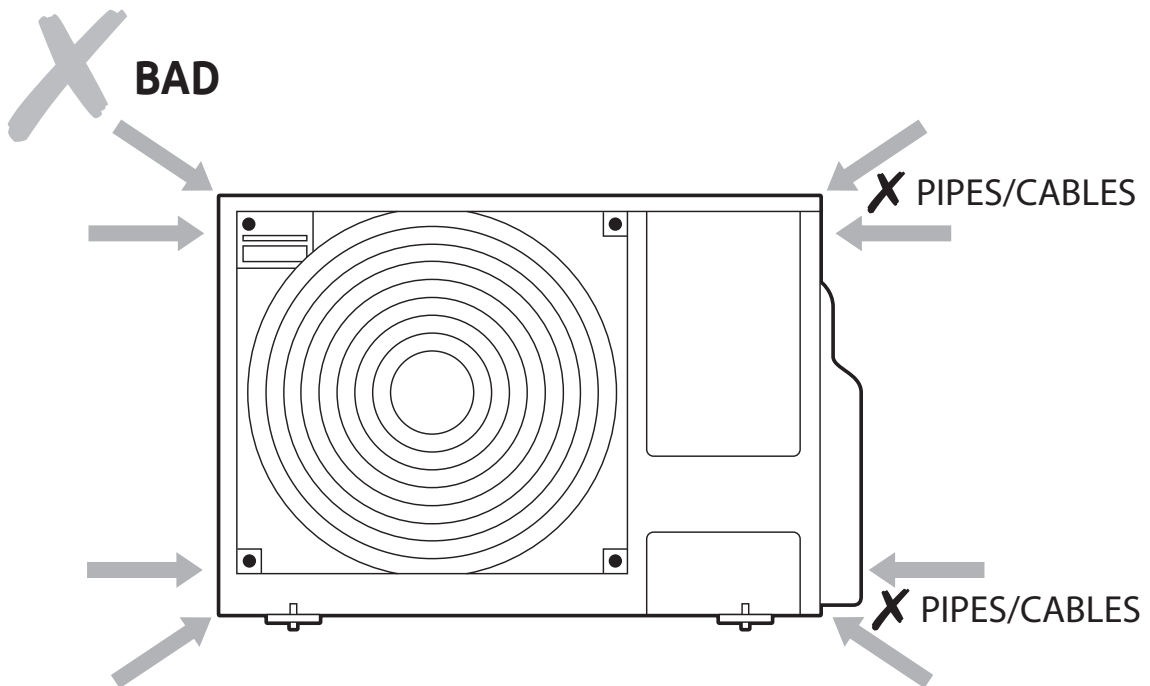
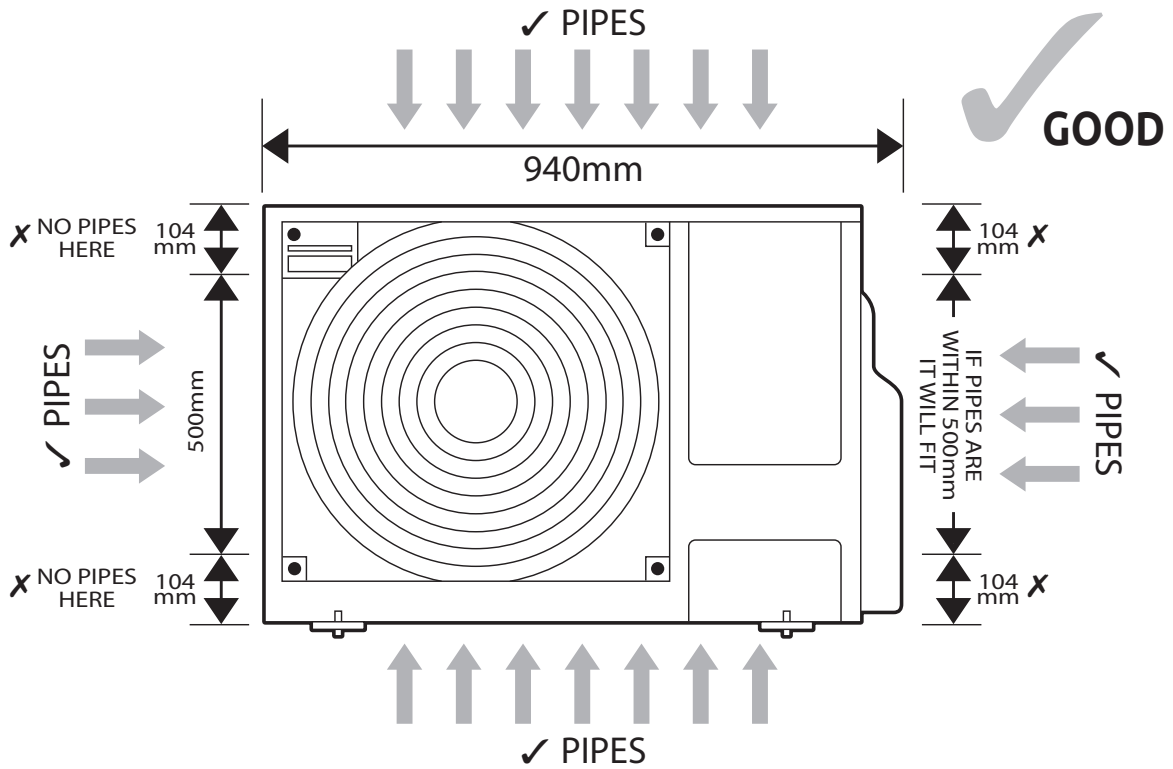
• Step 1

Study the dimensions of our covers below. Note the maximum interior measurements as these are the maximum sizes your air conditioning unit can be. Measure your AC and make sure it will surround the cover.



- **Step 2**

Make a visual inspection and measurement of your AC system. Look where the pipes and electrical cable come in to the system and compare with the measurements above. Below are some examples of pipe entry points and shows which will work and which will not.



If your cover will fit please place your order.

If you need any help before placing an order please send a photo taken face on to the AC unit and email it to info@airconcovers.com and we will advise suitability.