



US00D860857S

(12) **United States Design Patent** (10) **Patent No.:** **US D860,857 S**
Taylor et al. (45) **Date of Patent:** **** Sep. 24, 2019**

(54) **BELT BUCKLE**

- (71) Applicant: **SlideBelts Inc.**, El Dorado Hills, CA (US)
- (72) Inventors: **Brigham Thomas Taylor**, El Dorado Hills, CA (US); **Hauson Karl Haung Toh**, El Dorado Hills, CA (US)
- (73) Assignee: **SLIDEBELTS INC.**, El Dorado Hills, CA (US)
- (**) Term: **15 Years**
- (21) Appl. No.: **29/622,818**
- (22) Filed: **Oct. 19, 2017**
- (51) **LOC (12) Cl.** **11-07**
- (52) **U.S. Cl.**
USPC **D11/216**
- (58) **Field of Classification Search**
USPC D2/624, 626, 627, 633, 639, 640, 853, D2/923; D3/24, 213, 215, 216, 230;
(Continued)
- (56) **References Cited**

U.S. PATENT DOCUMENTS

- 2,074,287 A * 3/1937 Tavani A44B 11/00
24/316
- 2,110,684 A * 3/1938 Schuhmann A44B 11/25
24/313

(Continued)

FOREIGN PATENT DOCUMENTS

EM 003407287-0002 * 12/2016

Primary Examiner — Kevin K Rudzinski
Assistant Examiner — Richard Kearney
 (74) *Attorney, Agent, or Firm* — Knobbe, Martens, Olson & Bear, LLP

(57) **CLAIM**

The ornamental design for a belt buckle, as shown and described.

DESCRIPTION

FIG. 1 is a top, rear, and side perspective view of an embodiment of a belt buckle.

FIG. 2 is a bottom, front, side perspective view of the belt buckle of FIG. 1.

FIG. 3 is a top view of the belt buckle of FIG. 1.

FIG. 4 is a bottom view of the belt buckle of FIG. 1.

FIG. 5 is a first side view of the belt buckle of FIG. 1.

FIG. 6 is a second side view of the belt buckle of FIG. 1.

FIG. 7 is a front view of the belt buckle of FIG. 1.

FIG. 8 is a rear view of the belt buckle of FIG. 1.

FIG. 9 is a top, rear, and side perspective view of the belt buckle of FIG. 1 with components of the belt buckle positioned in a second position.

FIG. 10 is a bottom, front, side perspective view of the belt buckle of FIG. 9.

FIG. 11 is a top view of the belt buckle of FIG. 9.

FIG. 12 is a bottom view of the belt buckle of FIG. 9.

FIG. 13 is a first side view of the belt buckle of FIG. 9.

FIG. 14 is a second side view of the belt buckle of FIG. 9.

FIG. 15 is a front view of the belt buckle of FIG. 9.

FIG. 16 is a rear view of the belt buckle of FIG. 9.

FIG. 17 is a top, rear, and side perspective view of an embodiment of a belt buckle.

FIG. 18 is a bottom, front, side perspective view of the belt buckle of FIG. 17.

FIG. 19 is a top view of the belt buckle of FIG. 17.

FIG. 20 is a bottom view of the belt buckle of FIG. 17.

FIG. 21 is a first side view of the belt buckle of FIG. 17.

FIG. 22 is a second side view of the belt buckle of FIG. 17.

FIG. 23 is a front view of the belt buckle of FIG. 17.

FIG. 24 is a rear view of the belt buckle of FIG. 17.

FIG. 25 is a top, rear, and side perspective view of the belt buckle of FIG. 17 with components of the belt buckle positioned in a second position.

FIG. 26 is a bottom, front, side perspective view of the belt buckle of FIG. 25.

FIG. 27 is a top view of the belt buckle of FIG. 25.

FIG. 28 is a bottom view of the belt buckle of FIG. 25.

FIG. 29 is a first side view of the belt buckle of FIG. 25.

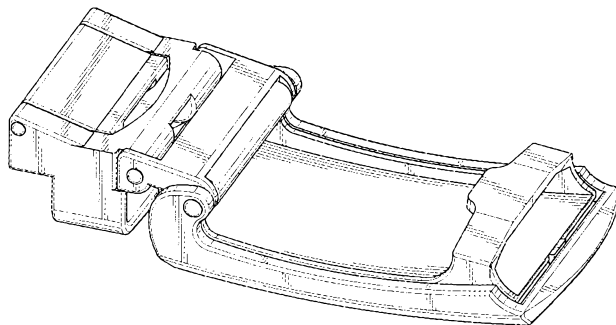
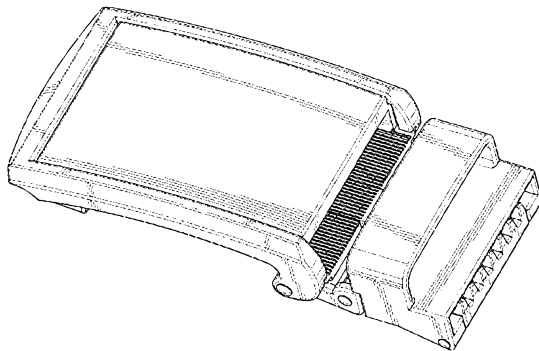
FIG. 30 is a second side view of the belt buckle of FIG. 25.

FIG. 31 is a front view of the belt buckle of FIG. 25; and

FIG. 32 is a rear view of the belt buckle of FIG. 25.

Broken lines are used to illustrate features of the belt buckle that are disclaimed and form no part of the claimed design.

1 Claim, 16 Drawing Sheets



US D860,857 S

(58) Field of Classification Search

USPC .. D8/14, 331, 343, 349, 356, 358, 359, 360, D8/363, 366, 371, 382, 394, 395; D10/32, 38; D11/1, 2, 3, 12, 16, 86, 87, D11/93, 200, 201, 206-210, 212-218, D11/229-237; D12/195, 416; D29/100-101.5, 122, 129, 130; D30/139, D30/152, 153
CPC A44B 11/00; A44B 11/02; A44B 11/04; A44B 11/05; A44B 11/06; A44B 11/10; A44B 11/14; A44B 11/22; A44B 11/25; A44B 11/26; A44B 11/125; A44B 11/223; A44B 11/001; A44B 11/005; A44B 11/006; A44B 11/2503; A44B 11/2507; A44B 11/2553; A44B 11/2592; A41F 1/008; A41F 9/002; A41F 9/007; A41F 11/06; B60R 22/30; B60R 22/32; B60R 22/022; B60R 2022/1806; B60R 2022/1812; B60R 2022/281; B65D 63/16; A62B 35/00

See application file for complete search history.

(56) References Cited

U.S. PATENT DOCUMENTS

D167,823 S * 9/1952 Bliss D11/200
D176,056 S * 11/1955 Balcer D11/229
2,802,248 A 8/1957 Wallace
3,152,374 A 10/1964 Round
3,466,668 A 9/1969 Ochiai
4,249,267 A 2/1981 Voss
4,437,598 A * 3/1984 Hull A44B 11/005 224/163
4,669,155 A 6/1987 Chen
5,181,300 A 1/1993 Schwarz
5,379,493 A * 1/1995 Wu A44B 11/001 24/163 K
5,572,747 A 11/1996 Cheng
5,579,563 A 12/1996 Sim

5,588,184 A 12/1996 Chen
5,588,186 A 12/1996 Ko
D382,462 S * 8/1997 Arthurs D8/343
D391,885 S * 3/1998 Kennedy D11/12
D394,382 S * 5/1998 Knight D8/395
5,806,145 A 9/1998 Chen
5,839,170 A 11/1998 Cho
6,067,662 A 5/2000 Sim
6,081,973 A 7/2000 Liu
6,148,485 A 11/2000 Wu
D453,125 S 1/2002 Citton
D454,093 S * 3/2002 Schlatter D11/216
6,457,210 B1 10/2002 Shirai et al.
D471,328 S * 3/2003 Hanna D11/218
6,898,826 B2 5/2005 Draper et al.
D508,872 S 8/2005 Hoeppner
7,032,415 B2 4/2006 Young
7,246,383 B2 7/2007 Musal
7,254,872 B2 8/2007 Ross
D567,709 S * 4/2008 Cho D11/216
D568,785 S * 5/2008 Yang D11/200
D604,654 S * 11/2009 Calvani D11/1
D625,656 S 10/2010 Kosh et al.
D639,201 S * 6/2011 Cole D11/87
8,056,192 B1 11/2011 Posner
8,146,211 B2 4/2012 Shirai et al.
8,689,364 B2 4/2014 Rowland et al.
D727,204 S 4/2015 Laatz
9,149,090 B1 10/2015 Taylor
D742,722 S * 11/2015 Paik D8/356
D743,841 S 11/2015 Laatz
D748,012 S 1/2016 Laatz
D753,020 S * 4/2016 Monachon D11/231
9,351,526 B1 5/2016 Taylor
9,370,223 B1 6/2016 Taylor
D776,568 S 1/2017 Taylor
D809,241 S * 2/2018 Thayer D2/627
2009/0178256 A1 7/2009 Toth
2011/0232044 A1 * 9/2011 Chen A44B 11/001 24/163 K
2012/0036618 A1 2/2012 Rowland
2013/0167288 A1 7/2013 Rowland et al.

* cited by examiner

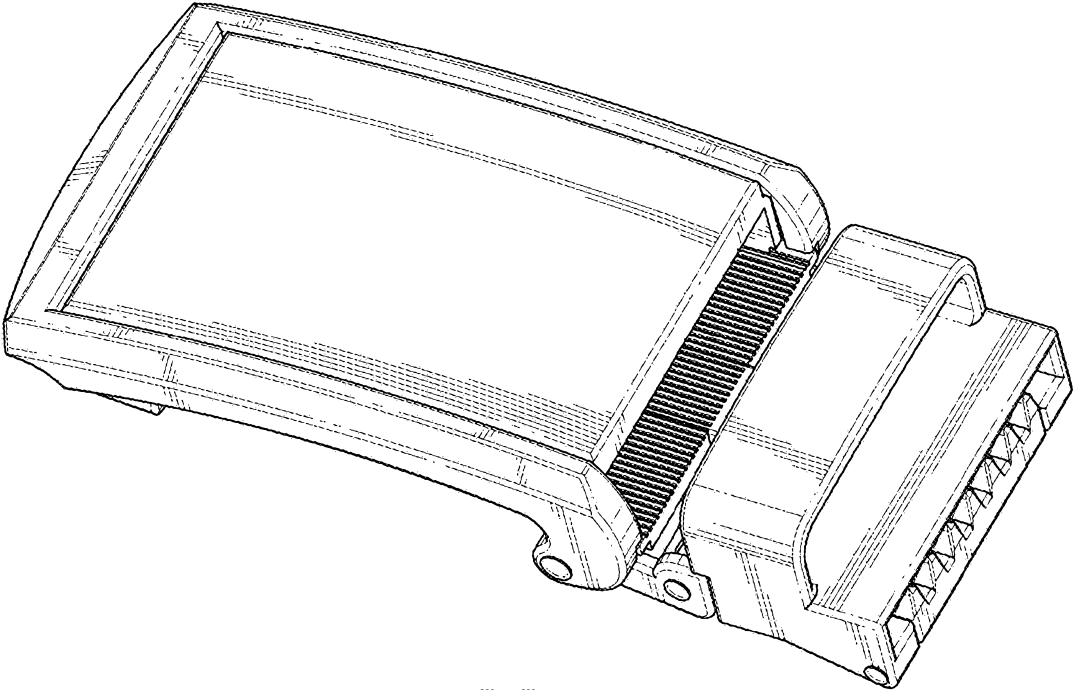


FIG. 1

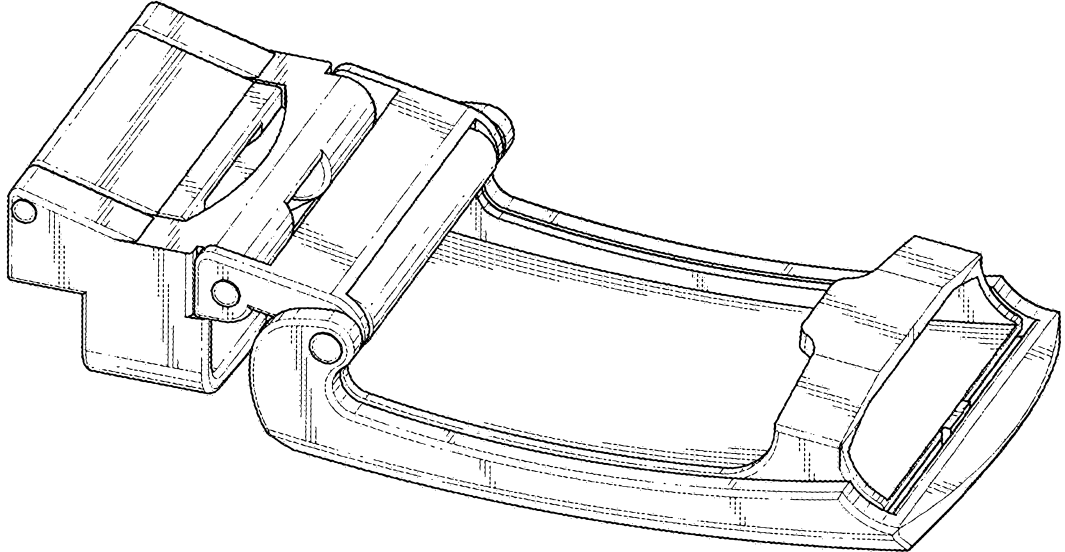


FIG. 2

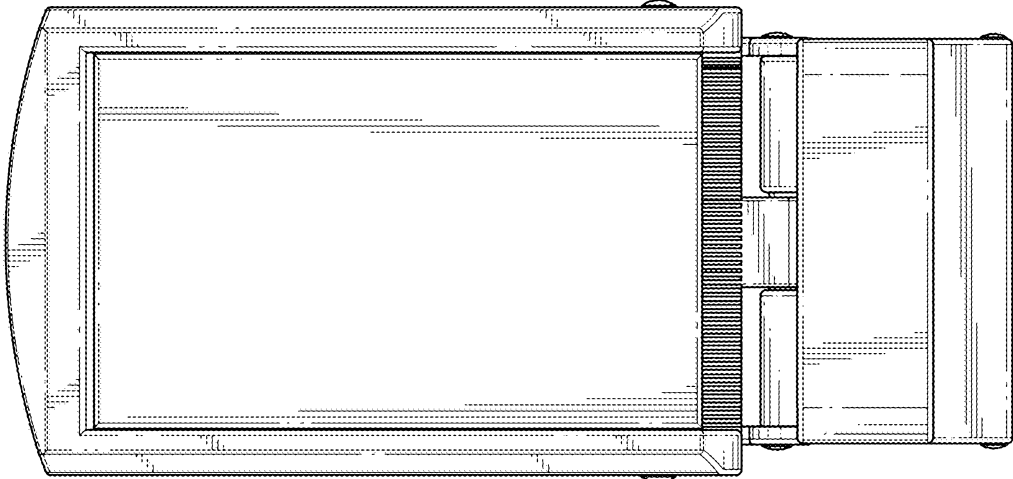


FIG. 3

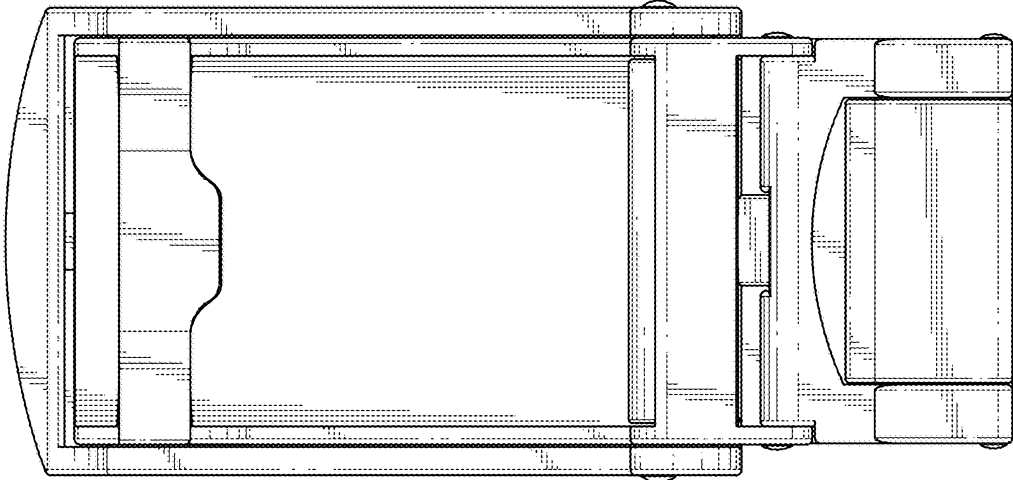


FIG. 4

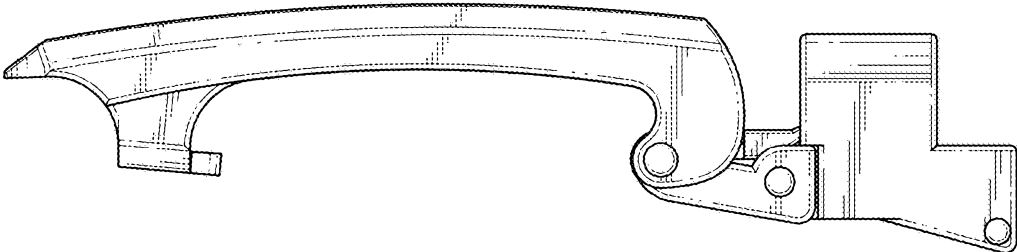


FIG. 5

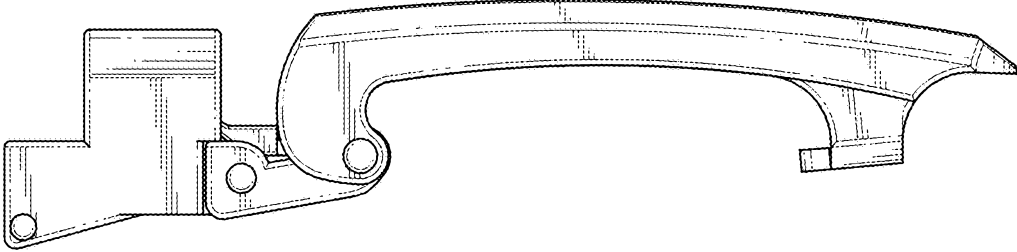


FIG. 6

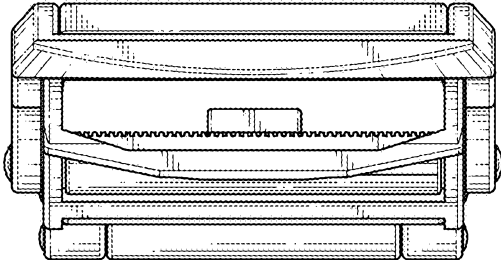


FIG. 7

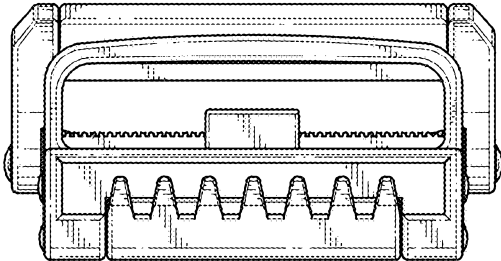


FIG. 8

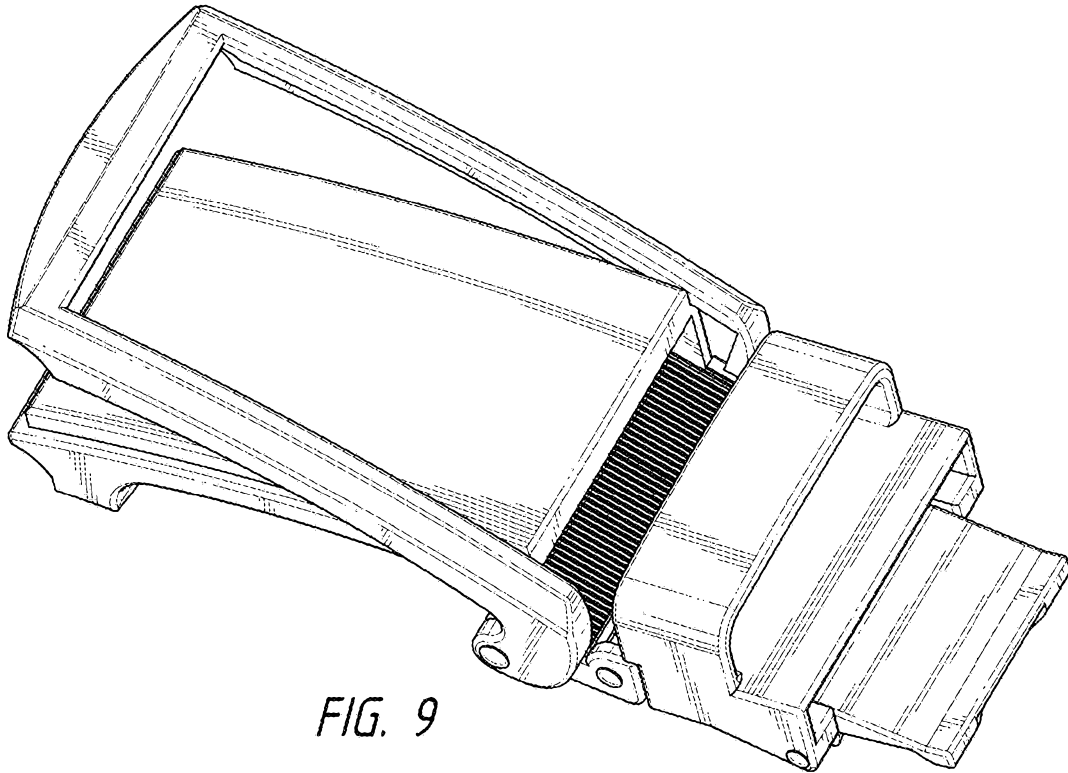


FIG. 9

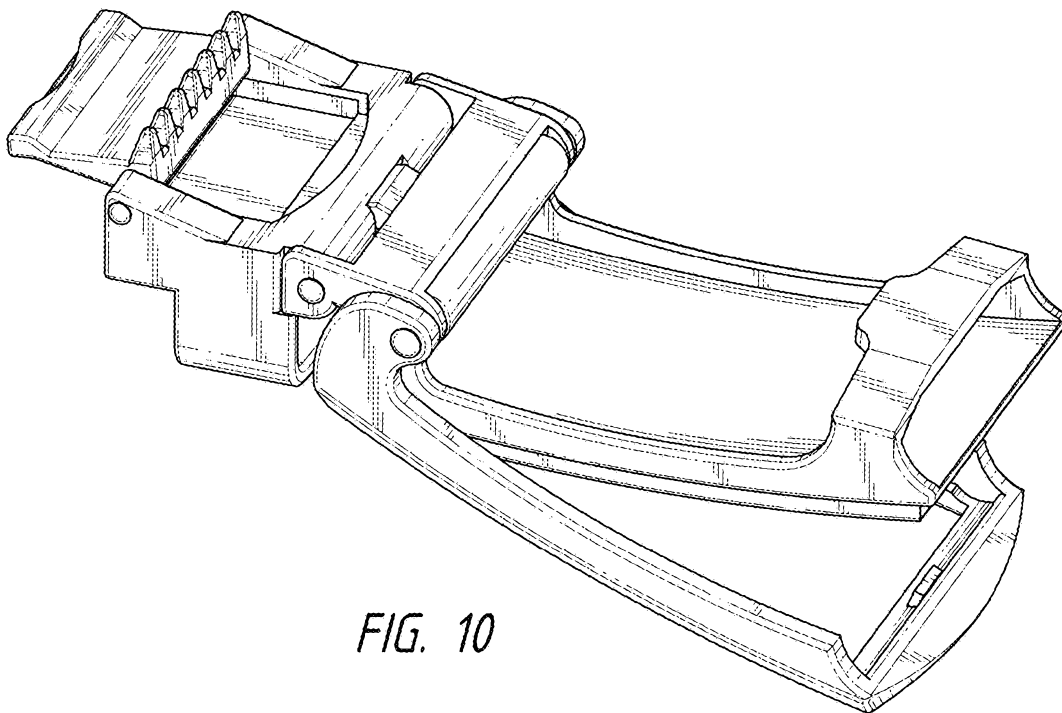


FIG. 10

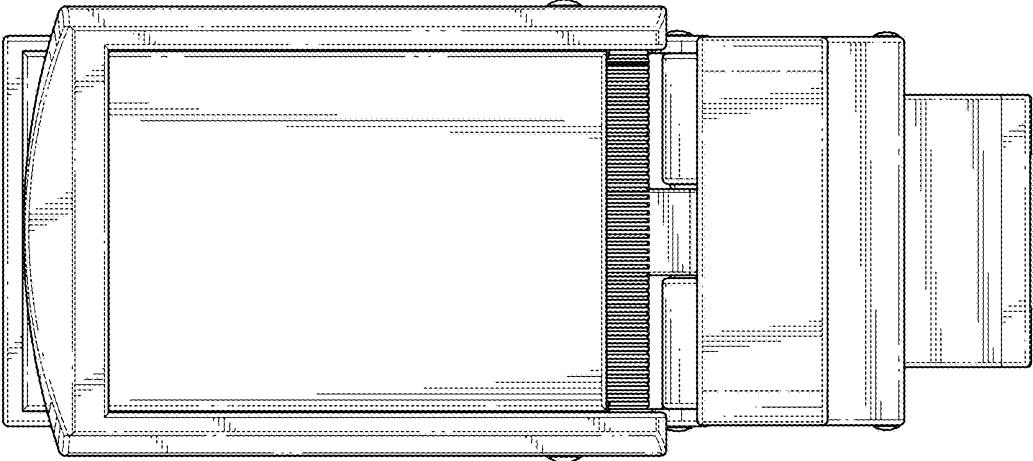


FIG. 11

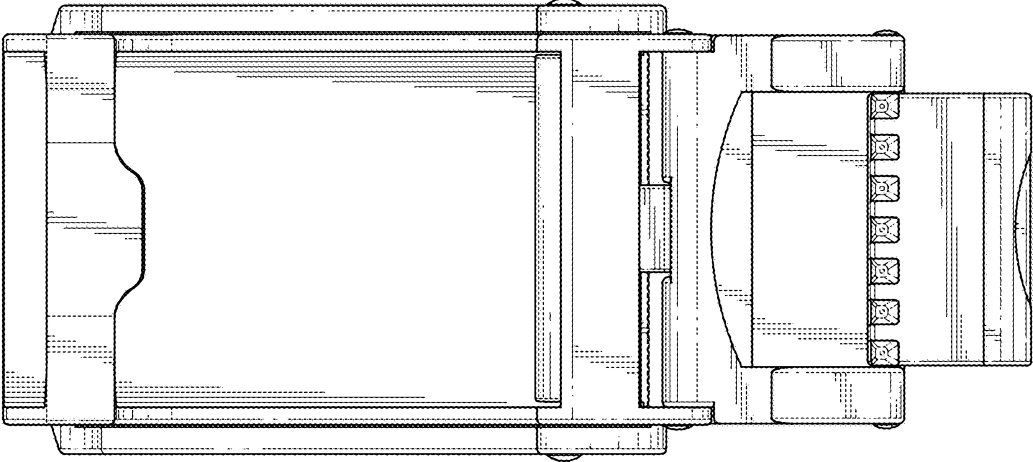


FIG. 12

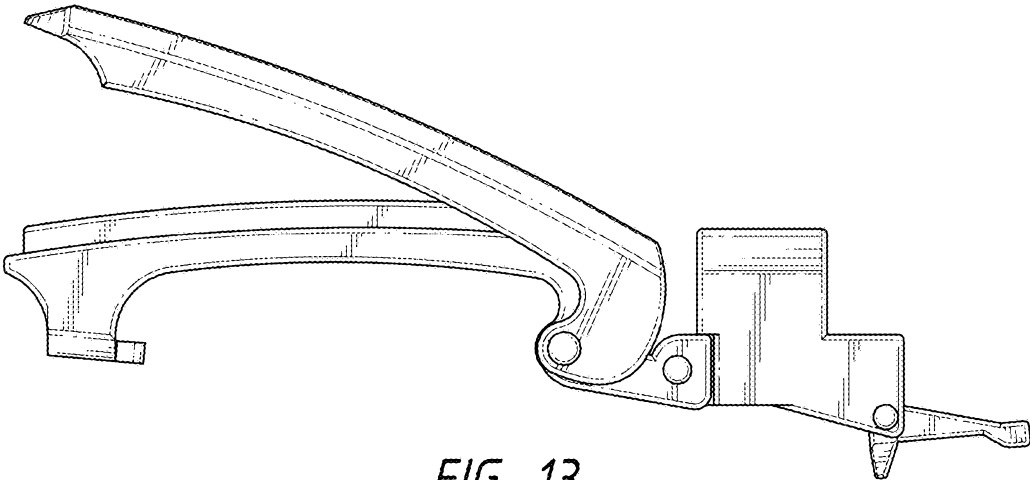


FIG. 13

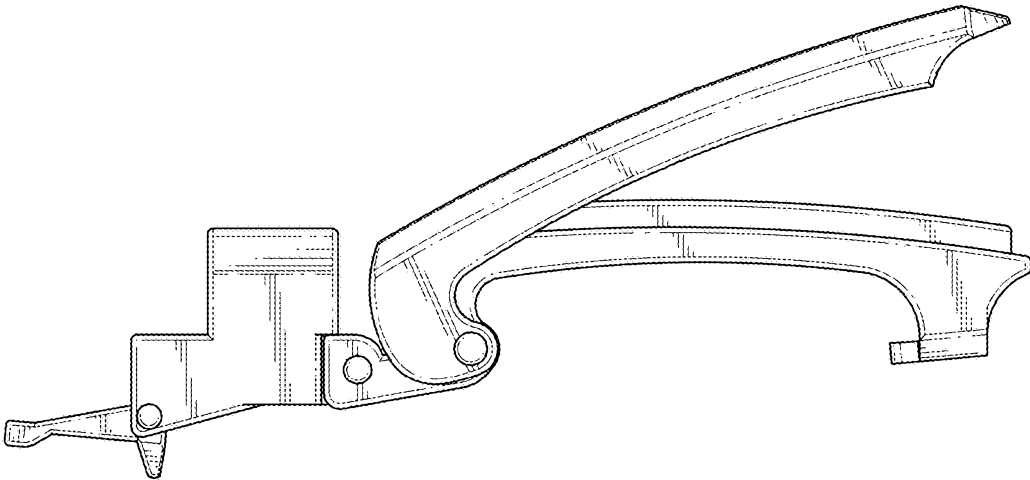


FIG. 14

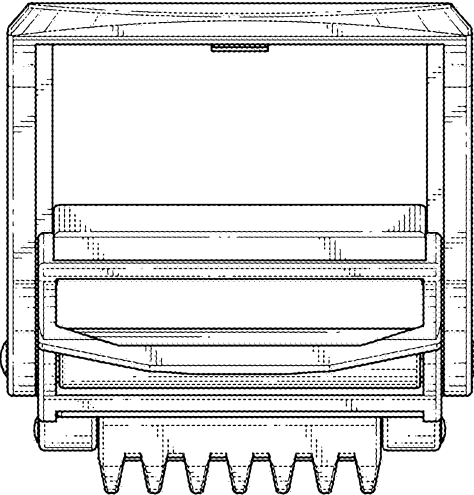


FIG. 15

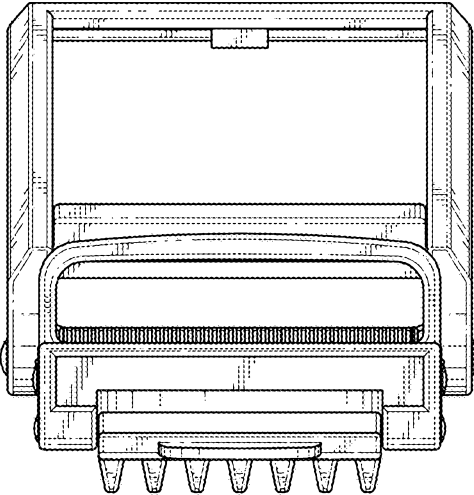


FIG. 16

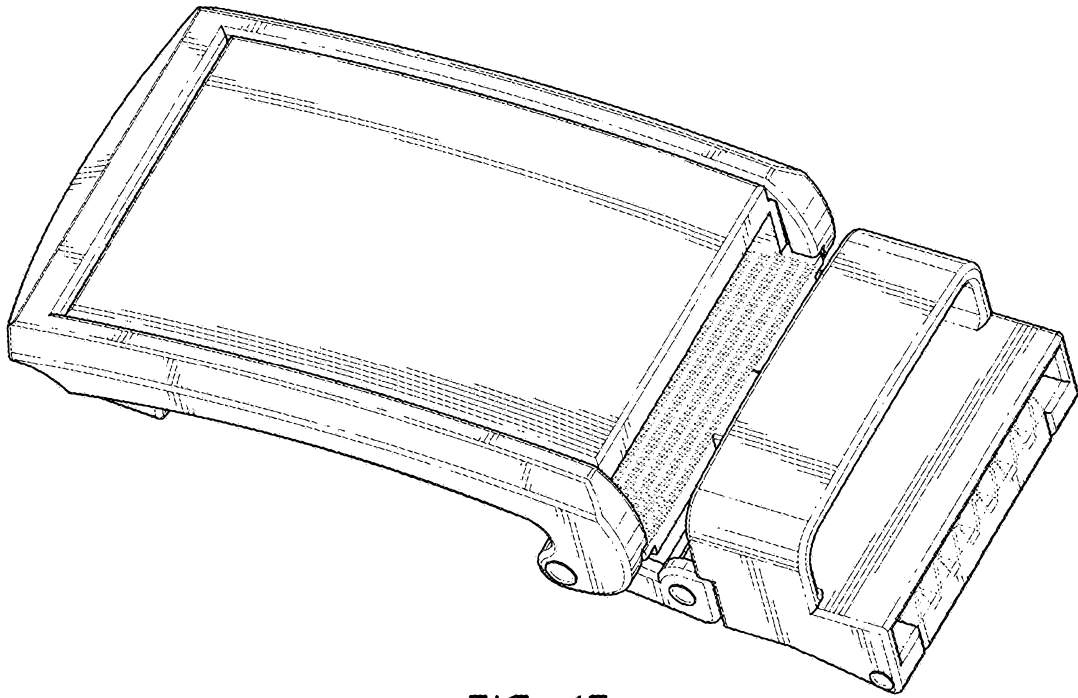


FIG. 17

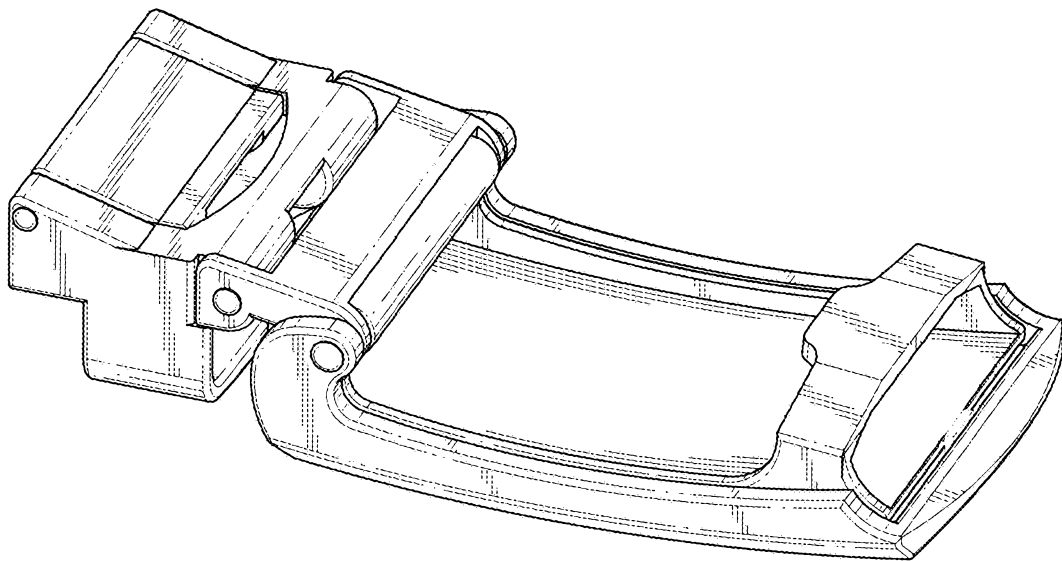


FIG. 18

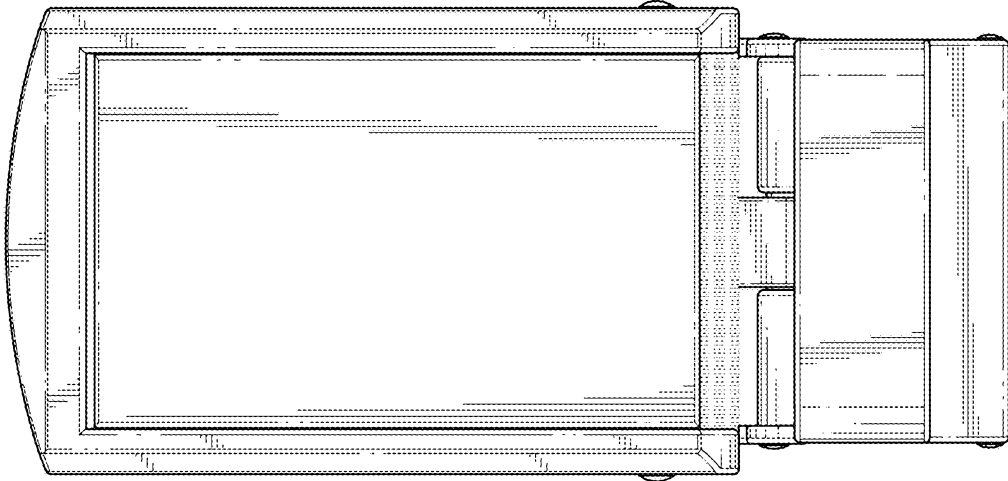


FIG. 19

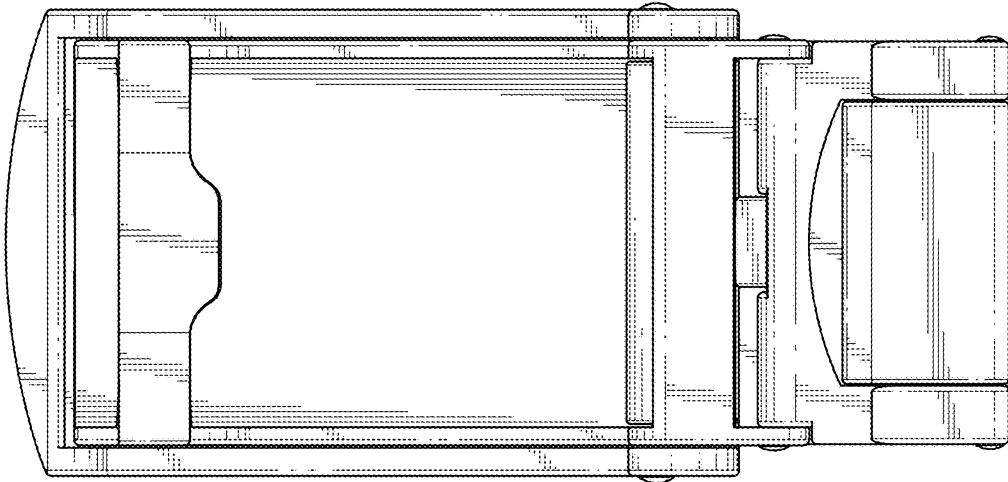


FIG. 20

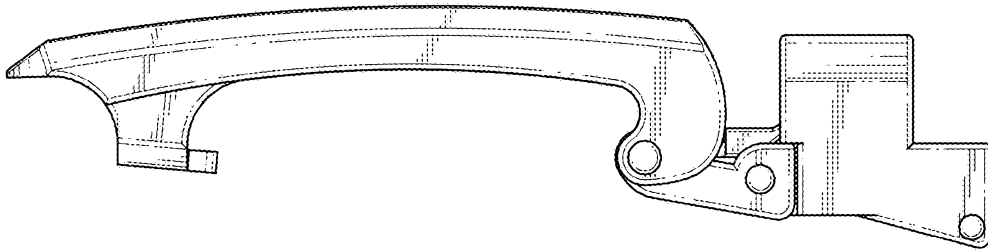


FIG. 21

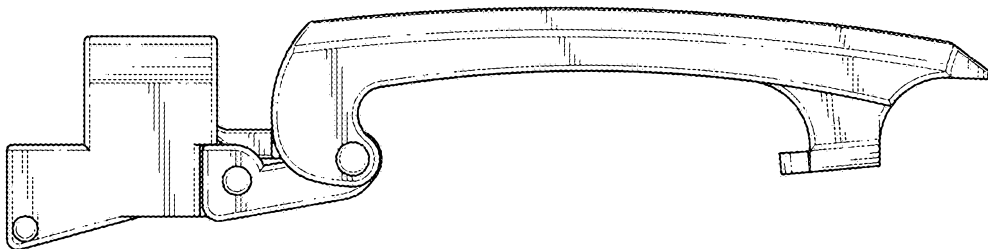


FIG. 22

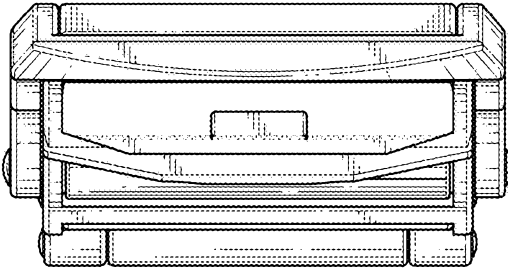


FIG. 23

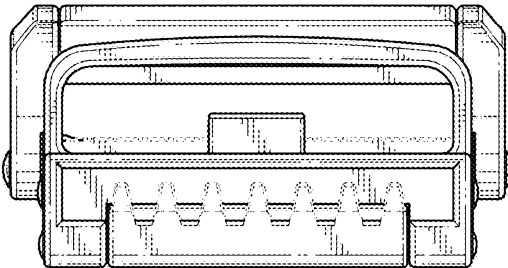


FIG. 24

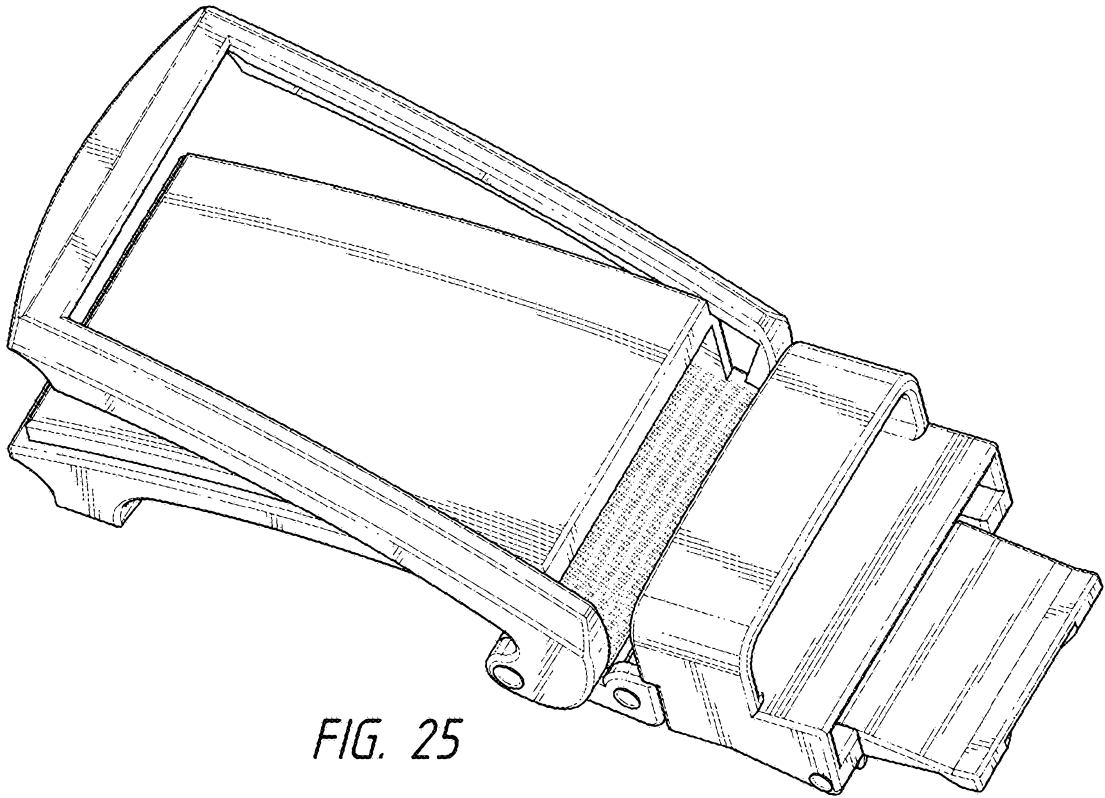


FIG. 25

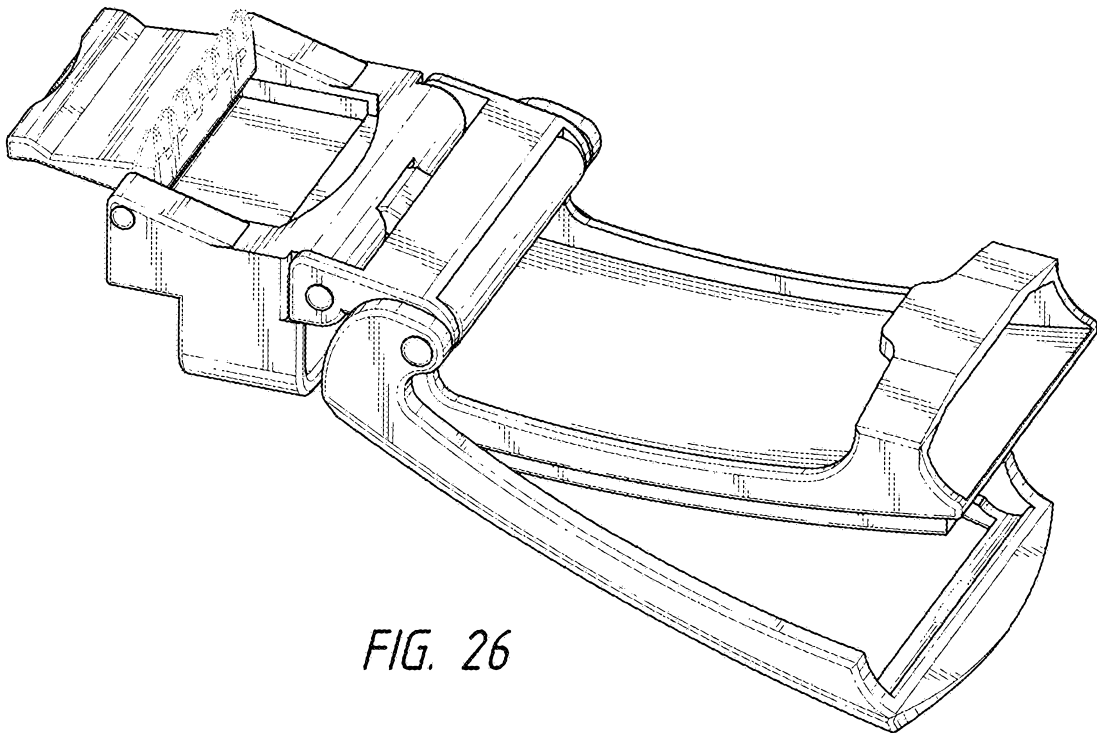


FIG. 26

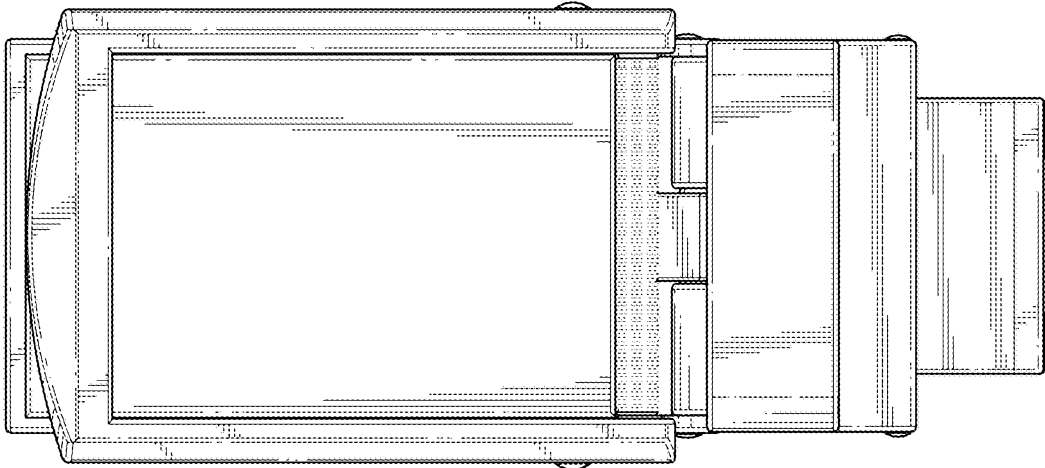


FIG. 27

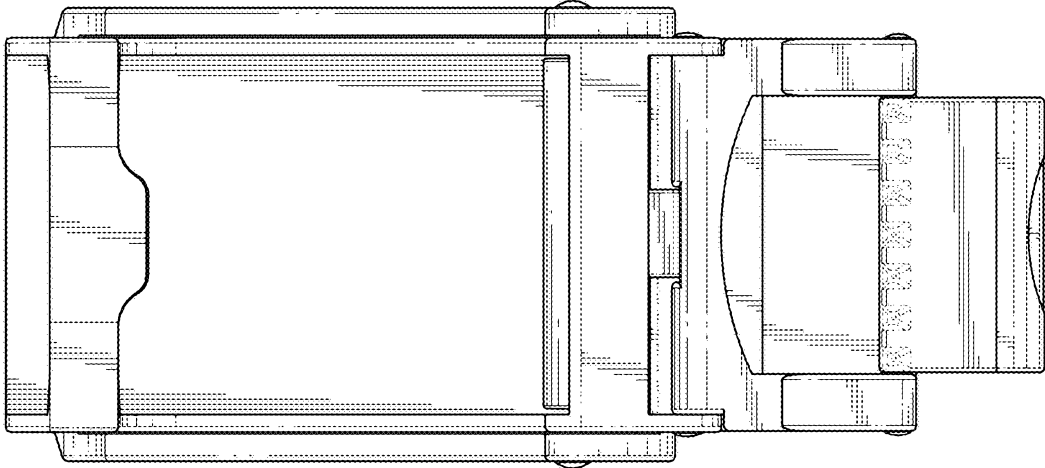


FIG. 28

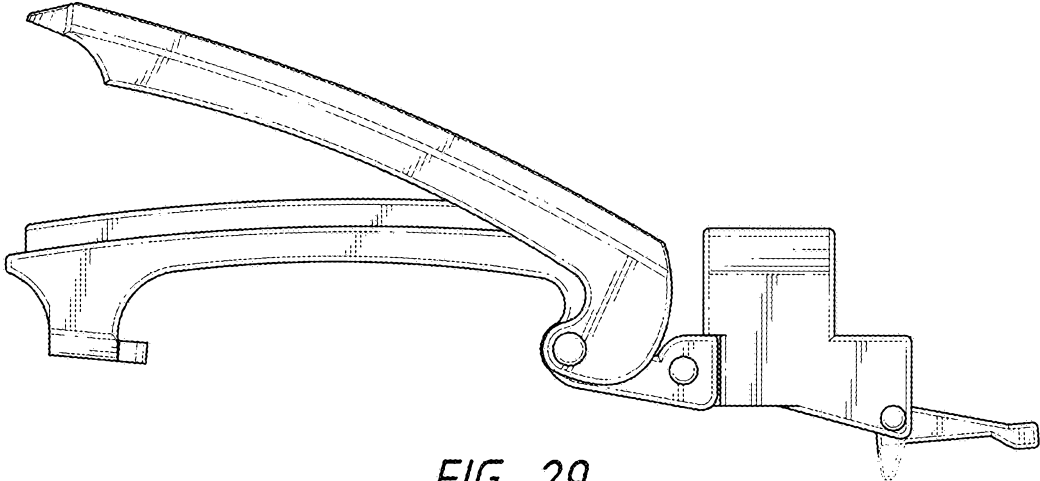


FIG. 29

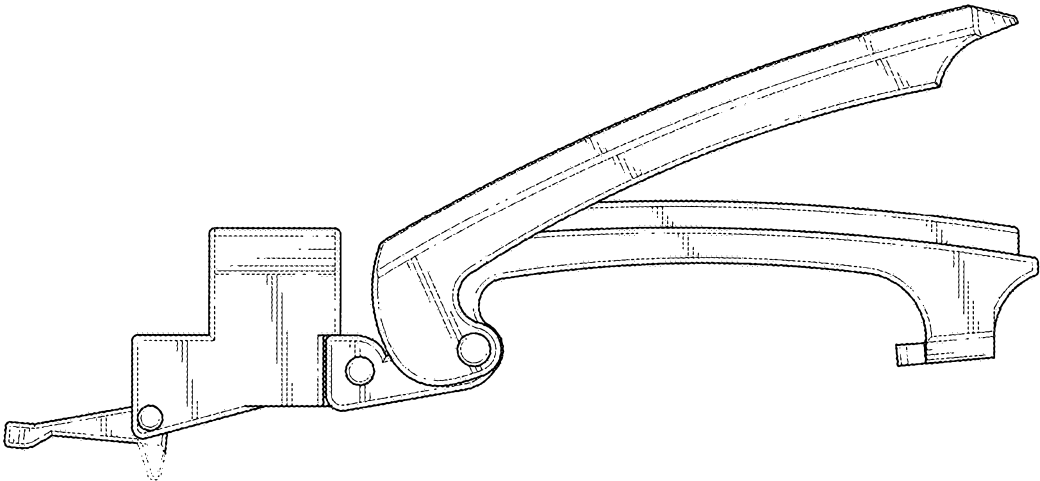


FIG. 30

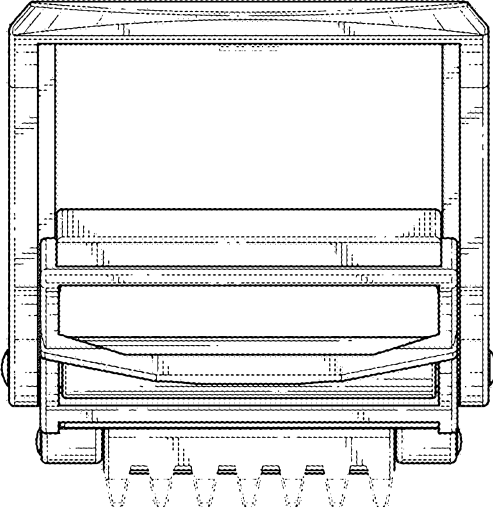


FIG. 31

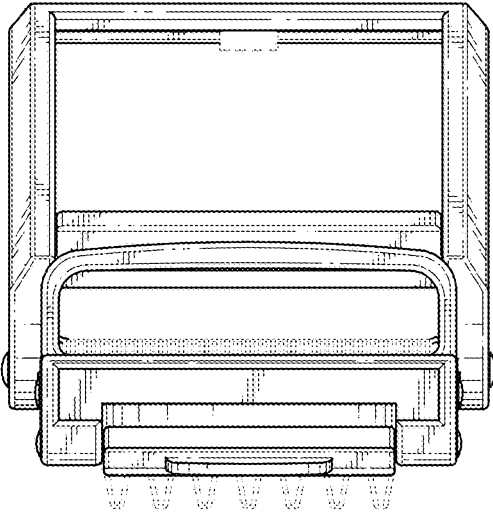


FIG. 32