



REFRIGERATION



Installation Guide and User Manual

ATTAINABLE **LUXURY**[®]



ZLINE

Designed in
LAKE TAHOE, USA

ATTAINABLE LUXURY®



SCAN ME

REGISTERING YOUR PRODUCT

Please register your ZLINE appliance to activate your warranty. Begin the simple registration process by scanning the QR code.

By registering your appliance, you will have access to:

- Technical Support
- Warranty Service
- Tracking your support inquiries

⚠ WARNING: This product can expose you to chemicals including nickel, which is known to the State of California to cause cancer. For more information, go to www.P65Warnings.ca.gov.

ZLINE Kitchen and Bath provides Attainable Luxury, where the kitchen and bath of your dreams is never out of reach. Through our unique designs and unparalleled quality, we're dedicated to providing you an elevated experience in the heart of your home. With an endless selection of features and finishes, our inspiration is your reality.

ZLINE is fueled by a passion for innovation; A relentless pursuit of bringing the highest end luxury designs and professional features into everyone's homes. Because we continually strive to improve our products, we may change specifications and designs without prior notice.

WARRANTY

COVERAGE

ZLINE Kitchen and Bath refrigerators have a one year parts and service warranty and a five year parts warranty for a sealed system. This is from the original purchase date for the original purchaser of the product.

TERMS

This warranty applies only to the original purchaser of the product installed for normal residential use. This is defined as a single-family, residential dwelling in a non-commercial setting. Commercial settings include but are not limited to: schools, churches, hotels, restaurants, vacation rentals such as Airbnb, day care centers, private clubs, fire stations, common areas in multi-family dwellings, nursing homes, food service locations, and institutional food service locations such as hospitals or correction facilities. This warranty is non-transferable and will not be extended based on the date of installation. The warranty applies only to products installed in the continental United States and the District of Columbia. Warranty shall not apply and ZLINE Kitchen and Bath is not responsible for damage resulting from negligence, improper maintenance, misuse, abuse, alteration of or tampering with the appliance, accident, natural disaster, improper electric supply, unauthorized service or repair, improper installation, or installation not in accordance with the instructions contained in the manual or the local codes.

WHAT IS NOT COVERED

1. Start-up damages or problems caused by improper installation or use.
2. Damage related to unauthorized service or unauthorized parts.
3. Installation in any commercial or non-residential application.
4. Aesthetic damage, scratches, or natural wear caused by normal use.
5. Second-hand, open box products, or products purchased from an unauthorized retailer.

TABLE OF CONTENTS

IMPORTANT SAFETY INSTRUCTIONS	1
ELECTRICAL CONNECTION	6
PLACEMENT AND PRODUCT DIMENSIONS	8
INSTALLING THE WATER LINE	14
OPERATION	16
MAINTENANCE AND CLEANING	27
TROUBLESHOOTING	32

SAFETY INSTRUCTIONS

This manual contains lots of important safety information which should be observed by the users.



WARNING:

Indicates a potentially hazardous situation which, if not avoided, could result in death or serious injury.



CAUTION:

Indicates a potentially hazardous situation which, if not avoided, may result in injury. It may also be used to alert against unsafe practices.



NOTICE:

Indicates a potentially hazardous situation which, if not avoided, may result in damage to the dishwasher, the tableware, the equipment, or the environment.

GENERAL SAFETY

- This appliance is intended to be used in household.
- Children should be supervised to ensure that they do not play with the appliance.
- If the supply cord is damaged, it must be replaced by a professional in order to avoid a hazard.
- Do not store explosive substances, such as aerosol cans with a flammable propellant, in this appliance.
- The appliance has to be unplugged after use and before carrying out user maintenance.
- **WARNING:** Keep ventilation openings in the appliance enclosure or in the built-in structure clear of obstruction.
- **WARNING:** Do not use mechanical devices or other means to accelerate the defrosting process, other than those recommended by the manufacturer.
- **WARNING:** Do not damage the refrigerant circuit.
- **WARNING:** Do not use electrical appliances inside the food storage compartments of the appliance, unless they are of the type recommended by the manufacturer.
- **WARNING:** Dispose of the refrigerator according to local regulations, due to the use of flammable blowing gas and refrigerant.

SAFETY INSTRUCTIONS

- **WARNING:** When positioning the appliance, ensure the supply cord is not kinked or damaged.
- **WARNING:** Do not use multiple portable socket-outlets or portable power supplies at the rear of the appliance.
- Do not use extension cords or ungrounded two prong adapters.
- **DANGER:** Risk for child safety. Before you dispose of your old refrigerator or freezer:
 - Take off doors
 - Leave the shelves in a place that children may not easily climb inside.
- The refrigerator must be disconnected from the source of electrical supply before attempting the installation of accessory.
- Refrigerant and cyclopentane foaming material used for the appliance are flammable. Therefore, when the appliance is disposed of, it should be kept away from any fire source and be picked up by a special disposal company with corresponding qualifications, as to prevent damage to the environment or any other harm.
- To avoid contamination of food, please read the following instructions:
 - Opening the door for long periods can cause a significant increase of the temperature in the compartments of the appliance.
 - Clean regularly surfaces that can come in contact with food and accessible drainage systems.
 - Clean water tanks if they have not been used for 48 hours; flush the water system connected to a water supply if water has not been drawn for 5 days.
 - Store raw meat and fish in suitable containers in the refrigerator, so that it is not in contact with or drip onto other food.
 - Two-star frozen food compartments are suitable for storing pre-frozen food, storing or making ice cream, and making ice cubes
 - One-star , two-star , and three-star compartments are not suitable for the freezing of fresh food.
 - If the refrigerating appliance is left empty for long periods, switch off, defrost, clean, dry, and leave the door open to prevent mold developing within the appliance.

SAFETY INSTRUCTIONS

- **WARNING:** To avoid a hazard due to instability of the appliance, it must be fixed in accordance with the instructions.
- Connect to potable water supply only.
- Do not arbitrarily disassemble or reconstruct the refrigerator, nor damage the refrigerant circuit. Maintenance of the appliance must be conducted by a professional.
- Damaged power cord must be replaced by a professional.
- The gaps between the doors and the refrigerator body are small. Do not put your hand in these areas. Be gentle when closing the refrigerator door to avoid falling articles.
- Do not pick up food or containers with wet hands in the freezing chamber when the refrigerator is running, especially metal containers, in order to avoid frostbite.
- Do not allow any child to get into or climb the refrigerator to prevent suffocation or a falling injury.
- Do not place heavy objects on the top of the refrigerator, considering that objects may fall when closing or opening the door and accidental injuries might occur.
- Unplug the appliance in the case of power failure or cleaning. Do not connect the refrigerator to power supply for five minutes to prevent damages to the compressor due to successive starts.
- Before installation or adjusting the accessories, disconnect the refrigerator from power.

SAFETY INSTRUCTIONS

PLACEMENT OF ITEMS

- Do not put flammable, explosive, volatile and highly corrosive items in the refrigerator to prevent damage to the product or fire accidents.
- Do not place flammable items near the refrigerator to avoid fires.
- The refrigerator is intended for household use, such as the storage of food; it shall not be used for other purposes, such as storage of blood, drugs, or biological products, etc.
- Do not store beer, beverage, or other fluid contained in bottles or enclosed containers in the freezing chamber of the refrigerator. Otherwise, the bottles or enclosed containers may crack due to freezing to cause damages.

ENERGY WARNINGS

- Refrigerating appliances might not operate consistently (for example: defrosting of food or temperature becoming too warm in the frozen food compartment) when set below the cold end of the range of temperatures for which the refrigerating appliance is designed for an extended period of time.
- Effervescent drinks should not be stored in food freezer compartments or cabinets or in low-temperature compartments or cabinets. Some products such as water ices should not be consumed too cold.
- Do not exceed the storage time(s) recommended by the food manufacturers for any kind of food and particularly for commercially quick-frozen food in food freezer and frozen food storage compartments or cabinets.
- Wrap the frozen food in several layers of newspaper to prevent an undue rise in the temperature while defrosting the refrigerator.
- A rise in temperature of the frozen food during manual defrosting, maintenance, or cleaning could shorten the storage life.

SAFETY INSTRUCTIONS

WARNINGS FOR DISPOSAL

- Refrigerant and cyclopentane foaming material used for the appliance are flammable. Therefore, when the appliance is disposed of, it should be kept away from any fire source and be picked up by a special disposal company with corresponding qualifications, as to prevent damage to the environment or any other harm.
- When the refrigerator is disposed of, disassemble the doors and remove gasket of door and shelves. Put the doors and shelves in a proper place so as to prevent damage to the environment or any other harm.



Correct disposal of this product: This icon indicates that this product should not be disposed with other household wastes. To prevent possible harm to the environment or human health from uncontrolled waste disposal, recycle it responsibly to promote the sustainable reuse of material resources. To return your used device, please use the return and collection systems or contact the retailer where the product was purchased. They can take this product for environmentally safe recycling.

BEFORE INSTALLATION



ELECTRICAL CONNECTION

- Do not pull the power cord when pulling the power plug of the refrigerator. Firmly grasp the plug and pull out it from the socket directly.
- To ensure safe use, do not damage the power cord or use the power cord when it is damaged or worn.
- Use a dedicated power socket. The power socket shall not be shared with other electrical appliances. The power plug should be firmly connected in the socket or else fires might be caused.
- Ensure that the grounding electrode of the power socket is equipped with a reliable grounding line.
- In the event of a gas leakage or leakage of other flammable gases, turn off the valve of the leaking gas and then open the doors and windows. Do not unplug the refrigerator and/or other electrical appliances considering that spark may cause a fire.
- Do not use electrical appliances on the top of the appliance unless they are of the type recommended by the manufacturer.

ENERGY SAVING TIPS

- The appliance should be located in the coolest area of the room, away from heat producing appliances or heating ducts and out of the direct sunlight.
- Let hot food cool to room temperature before placing them in the appliance. Overloading the appliance forces the compressor to run longer. Food that freeze too slowly may lose quality or spoil.
- Be sure to wrap food properly and wipe containers dry before placing them in the appliance. This cuts down on frost build-up inside the appliance.
- Appliance storage bin should not be lined with aluminum foil, wax paper, or paper toweling. Liners interfere with cold air circulation, making the appliance less efficient.
- Organize and label food to reduce door openings and extended searches. Remove as many items as needed at one time and close the door as soon as possible.

BEFORE INSTALLATION

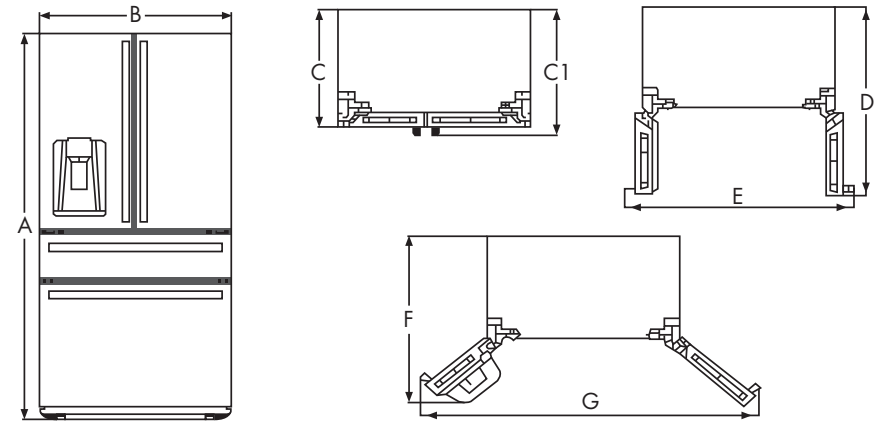
STARTING UP THE APPLIANCE

- Before use, remove all packing materials, including bottom cushions, foam pads, and tape inside of the refrigerator. Tear off the protective film on the doors and the refrigerator body.
- Before powering on initially, keep the refrigerator still for two hours before connecting it to power supply.
- Before putting in any fresh or frozen food, the refrigerator should be run for 2-3 hours or for over 4 hours in summer when the ambient temperature is high.

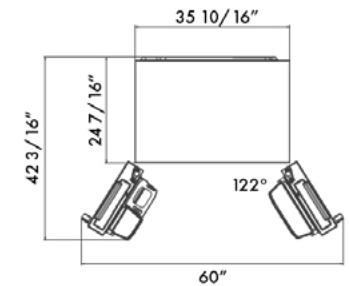
PLACEMENT

- Leave enough space to open the doors.
- Keep away from heat and avoid direct sunlight. Do not place the freezer in moist or damp places to prevent rust or reduction of insulating effect.
- Do not spray or wash the refrigerator. Do not put the refrigerator in moist places where it can be easily splashed with water, so as not to affect the electrical insulation properties of the refrigerator.
- The refrigerator should be placed in a well-ventilated indoor place and the ground shall be flat and sturdy (rotate left or right to adjust the adjustable leg for leveling, if unstable).
- The top space of the refrigerator shall be greater than 11 3/16", and the refrigerator should be placed against a wall with a free distance more than 3 1/16" to facilitate heat dissipation.

BEFORE INSTALLATION



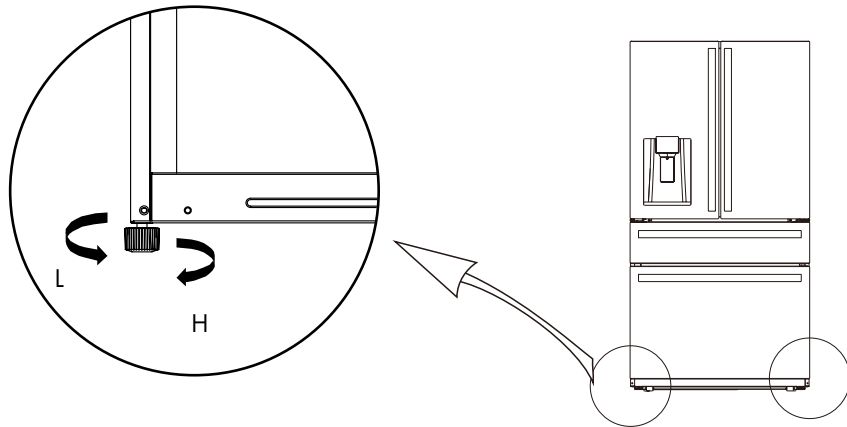
	Code	Size (in)
Height	A	69 13/16
Width	B	35 13/16
Depth without doors	C2	24 7/16
Depth with handles	C1	30 15/16
Depth	C	29
Door open 90° depth	D	43 3/16
Door open 90° width	E	44 4/16
Door open 122° depth	F	42 3/16
Door open 122° width	G	60



INSTALLATION

LEVELING FEET

- Turn the feet clockwise to raise the appliance.
- Turn the feet counterclockwise to lower the appliance.
- Adjust the right and left feet based on the procedures above to a horizontal level.

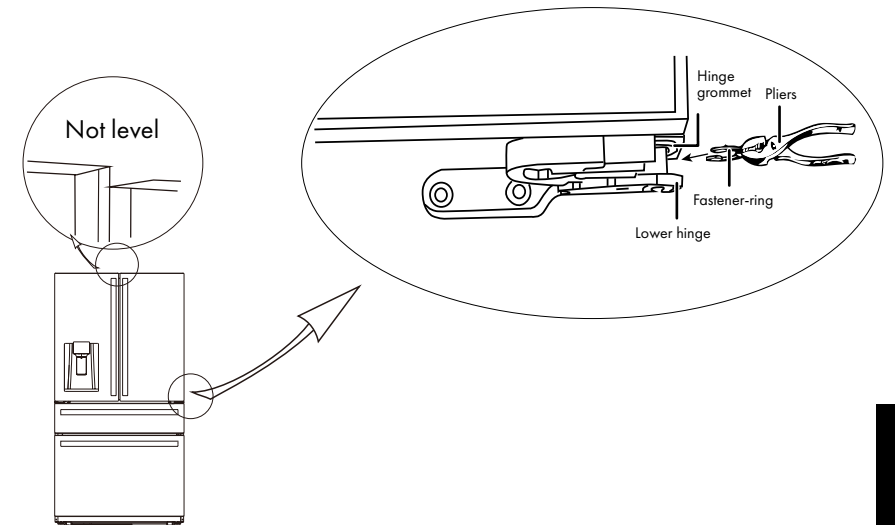


INSTALLATION

LEVELING DOOR

Precautions before operation:

- Disconnect the refrigerator from power before user maintenance.
- Before adjusting the door, take precautions to prevent any personal injury.
- NOTE: Pliers are needed.



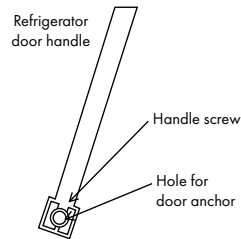
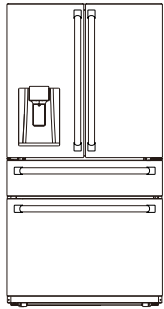
1. Raise the lower door up to the level of the higher door.
2. Insert the supplied fastener-ring by using plier in the gap between the hinge-grommet and the lower hinge. The number of fastener-rings you will need to insert depends on the gap.

INSTALLATION

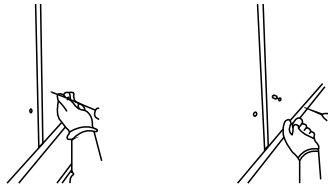
INSTALLING DOOR HANDLES



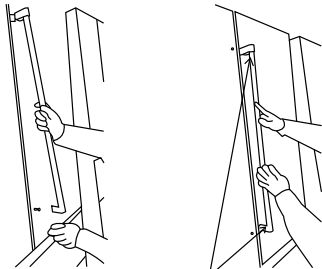
Precautions should be taken to prevent the handle from falling and causing personal injury.



1. Screw in anchors to the door with Philips head screwdriver.

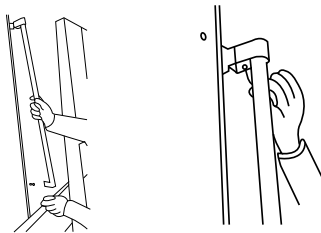


2. Line up and fit the handle into the top and bottom door anchors.



Location of anchor screws

3. Using an Allen wrench, secure in the top and bottom handle screws to the door anchors.



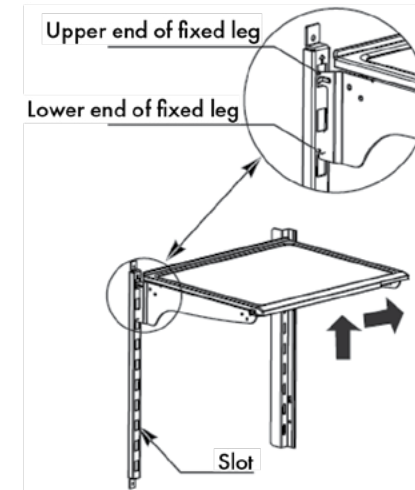
REMOVAL OF DOOR HANDLES

Remove screw and pull hand outward.

INSTALLATION

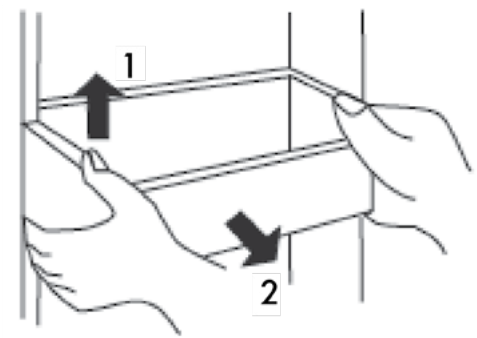
ADJUSTMENT OF SHELVES

- The shelves can be adjusted to multiple heights.
- Adjust the shelves by following the arrows as shown in the diagram. Raise it upward first and then take it out by tilting it upward. During installation, put the upper end of the fixed leg into one of the upper slots on the supporting iron first and then put the lower end of the fixed leg into the slot below top leg.



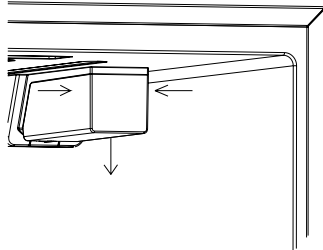
HEIGHT ADJUSTMENT AND CLEANING OF DOOR-MOUNTED RACK

- Raise the rack in the direction of Arrow 1 and pull it in the direction of Arrow 2.
- After cleaning, you can install the rack by reversing the directions above. You can also adjust the height of the rack.

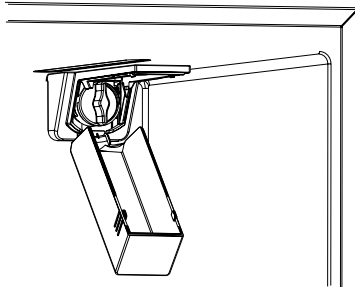


INSTALLATION

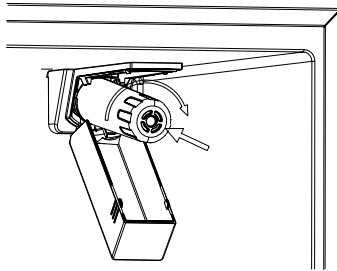
INSTALLING FILTER



1. When the refrigerator is used for the first time, press down on the marks on both sides of the filter cover, by hand, and move the filter cover downward.



2. Rotate the water filter bypass plug anticlockwise and remove the water filter bypass plug. **Please save plug in a safe place.**



3. Remove the exterior package of the filter, rotate the filter clockwise, push it into the filter housing, and install the filter element at the joint position of the refrigerator filter until the filter element no longer rotates and is secure.
4. When the filter sign light in the display panel turns on, replace the filter element.
5. The method of removing the filter element is the same as that of removing the water filter bypass plug.

Note: When installing new filter, drain 2-3 gallons of water to get debris out, or water may be cloudy and have debris. Only use a ZLINE filter. Otherwise, issues may occur.

INSTALLATION

INSTALLING THE WATER LINE



WARNING: Risk of electric shock and damage to the appliance. Disconnect the appliance from the power source before performing any work on the water connection. Only a qualified technician may connect the appliance to the water supply in accordance with plumbing and relevant water utility company regulations.

CONNECTING THE WATER LINE TO A POTABLE WATER SOURCE

- If your water line is NOT potable, add an external water filter.
- If you must repair or disassemble the water line, cut off the plastic tubing to make sure you get a snug, leak-free connection.

Connect the appliance to a drinking water line only:

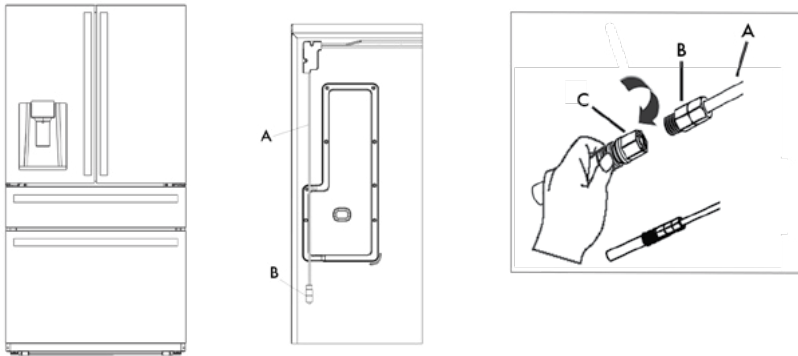
- Minimum pressure: 0.17 MPa (1.72 bar, 24.95 PSI)
- Maximum pressure: 0.82 MPa (8.25 bar, 119.66 PSI)
- Pressure over 0.82 (8.25 bar, 119.66 PSI): Install a pressure limiter between drinking water connection and hose set.
- The water should be connected only by a competent plumber according to the local regulations of the appropriate water supply company.
- A cold water connection is necessary for operating the ice maker. The water pressure must be between 0.17 MPa (1.72 bar, 24.95 PSI) and 0.82 MPa (8.25 bar, 119.66 PSI). The installation must correspond to the local plumbing regulations.
- A separate shut-off-valve should be installed in the cold-water inflow.
- The shut-off-valve should not be located behind the appliance. It is recommended that you mount the shut-off-valve directly next to the appliance or at another place that is easily accessible.
- When installing the water connection, pay attention to the permissible installation area for the water line.
- For connection to the drinking water line, use only water pipes that are suitable for drinking water. Observe national regulations and the connection conditions of the local water supply companies.

INSTALLATION

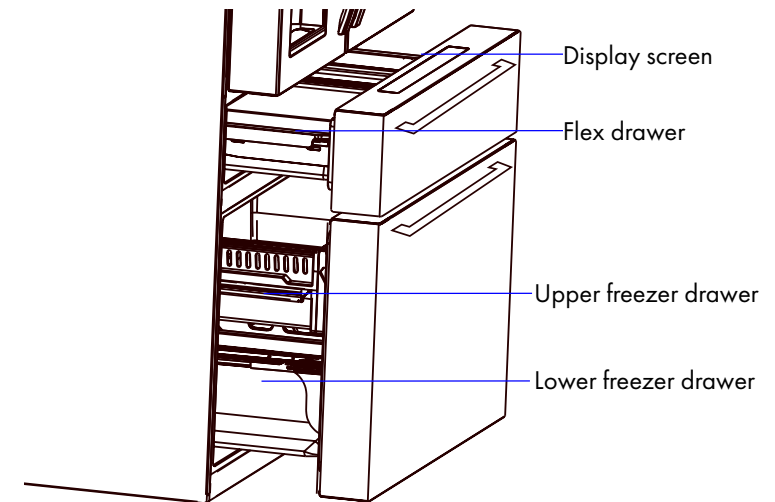
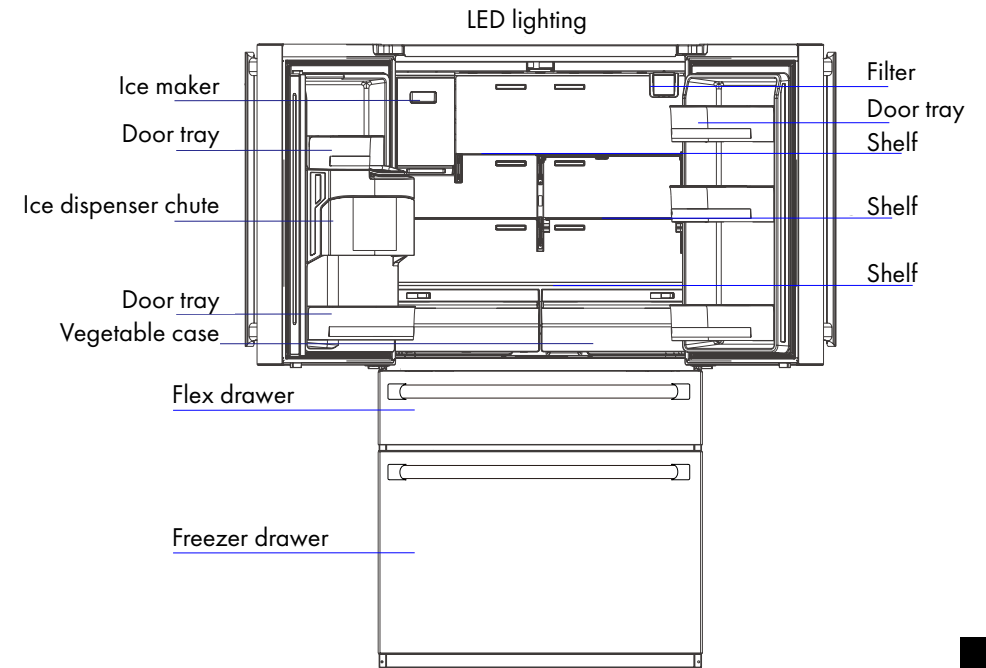
CONNECTING THE WATER LINE

Water line installation kits are available at a local hardware store.

1. Attach new stainless steel braided line to the main water valve, making sure that the water is turned off.
2. Connect the other end of the braided line to the 1/4 to 1/4 brass compression connection that is in the water line kit. Take off the other end by unscrewing the brass connector.
3. Slide the female screw connection piece that was taken off of the brass connector and with the brass ring around the base of the plastic water line. That attaches to the refrigerator.
4. Then, take the plastic line and with the female connection piece and securely tighten it to the brass connector piece.
5. Finally, turn on water and slowly making sure there are not water leaks.



OPERATION



OPERATION

REFRIGERATING CHAMBER

- The refrigerating chamber is suitable for storage of a variety of fruits, vegetables, beverages, and other food consumed in the short term.
- Cooking ingredients should not be put in the refrigerating chamber until cooled to room temperature.
- Seal food before putting into them into the refrigerator.
- The glass shelves are adjustable.

FREEZING CHAMBER

- The low temperature freezing chamber may keep food fresh for a long time and it is mainly used to store frozen food and make ice.
- The freezing chamber is suitable for storage of meat, fish, and other food not to be consumed in short term.
- It is preferable to divide chunks of meat into small pieces for easy access. Please note that food should be consumed within the shelf time.

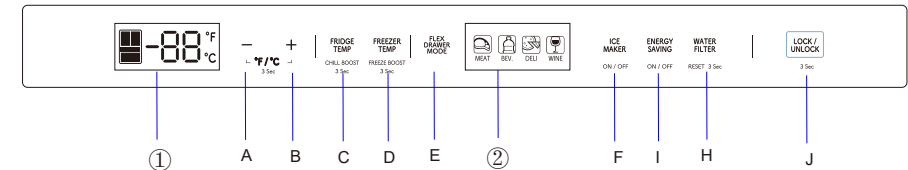
FLEX DRAWER

- The flex drawer temperature can be adjusted to 30° F, 34° F, 37° F or 40° F. The appropriate temperature can be selected according to the needs of different food.
- When flex drawer temperature is set at 30° F, it is suitable to store meat.
- When flex drawer temperature is set at 34° F, it is suitable to store drinks.
- When flex drawer temperature is set at 37° F, it is suitable to store cooked food.
- When flex drainer temperature is set at 41° F, it is suitable to store wine.

NOTE: Storage of too much food during operation after the initial connection to power may adversely affect the freezing effect of the refrigerator. Food stored should not block the air outlet or the freezing effect will also be adversely affected.

OPERATION

BUTTONS



1. Temperature zone display
- A. Temperature down
 - B. Temperature up
 - C. Refrigerating chamber key
 - D. Freezing chamber button
 - E. Flex drawer button
2. Temperature gear shift
- F. Initial key for refrigerating the made ice
 - H. Filter prompt
 - I. Economic model
 - J. Lock key

DISPLAY

MAIN DISPLAY CONTROL (DISPLAY CONTROL ON DRAWER DOOR)

1. When the power is pressed for the first time, the icons will be semi-bright, fully displayed, and will scroll from left to right.
 2. The icons will be fully highlighted and fully displayed for 3 seconds. At the same time, the start-up bell will ring, and the display will enter normal operation. (When the refrigerator is energized for the first time, the temperature of refrigerating chamber, freezing chamber and flex drawer will be set at 39°F/0°F/37°F, respectively).
- Under normal conditions, if there is no door opening action and no key operation for 30 seconds, the display will be locked. The display will be off after 30 seconds of locking status.
 - When the display screen is not on, if any key is pressed, the display screen will display normally.

OPERATION

DISPENSER DISPLAY AND CONTROL

- When the refrigerator is energized for the first time, the dispenser display and control will be fully displayed for 3 seconds and then it enters the normal operation display (water outlet function is default option when the refrigerator is energized for the first time).

LOCK/UNLOCK

- In the unlocked state, press and hold the **LOCK/UNLOCK** button for 3 seconds to enter the locked state. The buzzer sound will ring.
- In the locked state, press and hold the **LOCK/UNLOCK** button for 3 seconds to enter the unlocked state. The buzzer sound will ring.
- The refrigerator will enter the lock state if the door is not opened or if there is no button operation within 30 seconds.
- The buzzer sound can be stopped by pressing any one button in locked state, but any other button operations need to be performed in unlocked state. If you operate in the locked state, an error beep will ring.

TEMPERATURE SETTING OF REFRIGERATING CHAMBER

- Press the refrigerating key to select the refrigerating temperature zone. Press the “-” and “+” temperature regulation keys to adjust the temperature of the refrigerating chamber.
- When the “-” key is pressed once, the temperature will drop by 1 °F. After the temperature reaches 34 °F, the “-” key will be invalid, no matter how many times it is pressed.
- When the “+” key is pressed once, the temperature will rise by 1 °F. After the temperature reaches 44 °F, the “-” key will be invalid, no matter how many times it is pressed. The temperature setting range of refrigerating chamber 34 °F - 44 °F. The setting will take effect after locking.

OPERATION

TEMPERATURE SETTING OF FLEX DRAWER

- Press the flex drawer key to select temperature shift zone and press the flex drawer key again to adjust the temperature of flex drawer.
- When the flex drawer key is pressed once, the temperature will increase by one setting. When the temperature is increased to WINE (4th setting), press the flex drawer key again, the temperature will return to MEAT (1st setting). The corresponding temperature settings of each gear are MEAT (30 °F), BEV (34 °F), DELI (37 °F), and WINE (41 °F). The settings will take effect after locking.

TEMPERATURE SETTING OF FREEZING CHAMBER

- Press the **Freezing** key to select the freezing temperature zone. Press the “-” and “+” temperature regulation keys to adjust the temperature of the freezing chamber.
- When the “-” key is pressed once, the temperature will drop by 1 °F. After the temperature reaches -7 °F, the “-” key will be invalid, no matter how many times it is pressed.
- When the “+” key is pressed once, the temperature will rise by 1 °F. After the temperature reaches 7 °F, the “-” key will be invalid, no matter how many times it is pressed.
- The temperature setting range of freezing chamber -7 °F - 7 °F. The setting will take effect after locking.

SWITCHING BETWEEN FAHRENHEIT TEMPERATURE AND CELSIUS TEMPERATURE

Press the “+” and “-” keys together for 3 seconds and Fahrenheit temperature and Celsius temperature will swap. It will take effect after locking.

OPERATION

STATE SETTING OF DISPENSER

- Touch the key of the corresponding mode to select Ice Cube Mode/Water Drainage Mode/Ice breaking mode.
- After the corresponding function is selected, the indicator light of the corresponding mode will be on. Water will be drained out immediately after water drainage mode is selected. Ice is drained out 3 seconds after the switch of ice cube mode/ice breaking mode is pressed.

CONTROL OF DISPENSER LAMP

- When the dispenser switch is switched on, the dispenser lamp will turn on.
- When the dispenser switch is disconnected, the dispenser lamp will turn off after a 3 second delay.
- Press the **REF-ICE** key to turn on the backlight and the ice maker. Press the **REF-ICE** key again to turn off the backlight and the ice maker. It will take effect after locking.

TIPS FOR REPLACING FILTER

When the filter is used for more than 150 days and the backlight is always on or when the filter is used for more than 180 days and the backlight flashes, press **WATER-FILTER** key for 3 seconds to clear the alarm settings and re-time it. The buzzer rings 3 times.

MODE SETTINGS

QUICK COOLING MODE

- Press and hold the **Refrigeration** key for 3 seconds to enter the quick cooling mode. At the same time, the icon of the refrigerating chamber will turn blue. The quick cooling mode will take effect after being locked.
- At the time of setting the quick cooling mode, the temperature of refrigerating chamber is automatically set at 33.8°. When the quick cooling mode is exited, the set temperature of the refrigerating chamber automatically returns to the set temperature before the quick cooling mode.

OPERATION

QUICK-FREEZING MODE

- Press and hold the **Freezing** key to enter the quick cooling mode. At the same time, the icon of the freezing chamber will turn blue. The quick cooling mode will take effect after being locked.
- At the time of setting the quick cooling mode, the temperature of refrigerating chamber is automatically set at -7.6°F. When the quick cooling mode is exited, the set temperature of the refrigerating chamber automatically returns to the set temperature before the quick cooling mode.

ECO MODE

- Press **ENERGY SAVING** key to enter the ECO mode. The backlight will turn on. The quick-freezing mode is canceled at the same time. The quick freezing is controlled at 6.8° F and refrigerating at 44.6° F.
- Press the **ENERGY SAVING** key again to exit the ECO mode. The backlight will turn off and the temperature of freezing and refrigerating will return to the set temperature before entering the ECO mode. The mode will take effect after locking.

ANTI-CONDENSATION HEATER STRIP

- The anti-condensation heater strip can be turned on and off by pressing "ENERGY SAVING" and "FREEZER-TEMP" at the same time for 3 seconds. The Fahrenheit symbol will blink, it will take effect by pressing the locking key, and the anti-condensation heater strip will be turned off.
- When the anti-condensation heater strip is off, press "ENERGY SAVING" and "FREEZER-TEMP" for 3 seconds. The Fahrenheit symbol will no longer blink. It will take effect by pressing the locking key and the anti-condensation heater strip will be turned on.
- The on and off anti-condensation heater strip are for inspection and maintenance convenience. Please do not toggle this frequently, as it will cause the risk of condensation.

OPERATION

FAULT

- When there is a fault, the screen displays a fault code and the buzzer rings.
- Press any key when unlocking or locking and the alarm sound will stop.
- After the corresponding fault is eliminated by maintenance, the display will clear the corresponding fault status code.
- When any door is opened for more than 2 minutes, the buzzer will sound. When the door is locked/unlocked, press any key to clear the alarm sound or close all doors and the alarm sound will stop.

Fault code	Fault name
EH	The humidity sensor fails
F5	Refrigerating ice maker fails to turn over ice
F4	The sensor at the bottom of the refrigerating ice maker fails
CC	The defrosting sensor in ice making chamber fails
C9	The sensor in ice making chamber fails
CA	The communication between main control board and ice making board fails
F6	The initialization of refrigerating ice maker fails
E0	The initialization of freezing ice maker fails
E1	The temperature sensor in the refrigerating chamber fails
E2	The temperature sensor in the freezing chamber fails
E3	The sensor of the Flex Drawer fails
E4	Frosting sensor for refrigerating fails
E5	Frosting sensor for freezing fails
E6	The communication between display board and main control board fails
E7	The ambient temperature fails

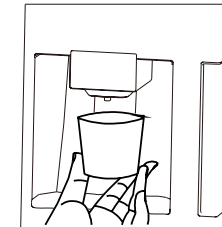
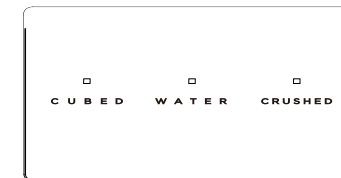
OPERATION

DISPENSING WATER AND ICE

The ice/water dispenser is located on the outside of refrigerating chamber door. It offers a choice of cubed or crushed ice, or cold water. The dispenser only works when the refrigerating chamber door is closed.

DISPENSING COLD WATER

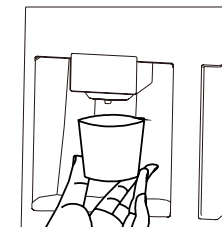
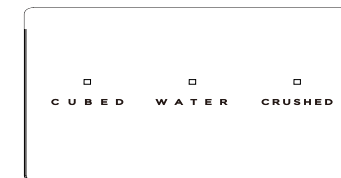
cold water



1. Press the **WATER** button until the indicator light is illuminated.
2. Push the container in the direction of dispensing water cushion until cold water starts to flow into the container. Remove the container from dispensing water cushion and end the exporting of water.

DISPENSING CRUSHED ICE

crushed ice

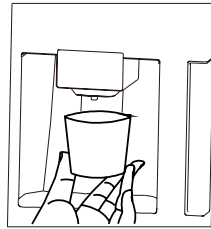
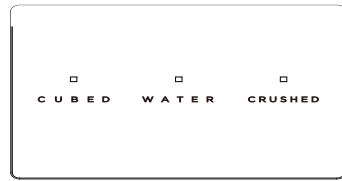


1. Press the **CRUSHED** button until the indicator light is illuminated.
2. Make the container tight with mouth of water dispenser to prevent ice from falling to the sides.
3. Press the container in the direction of dispensing water cushion. Fill the container with crushed ice. Remove the container from dispensing water cushion and end the exporting crushed ice.

OPERATION

DISPENSING ICE CUBES

ice cubes



1. Press the **CUBED** button until the indicator light is illuminated.
2. Push the container in the direction of dispensing water cushion. Ice cubes will start to fall into the container.
3. Remove the container from dispensing water cushion and end the exporting of ice.

DISASSEMBLY OF REFRIGERATOR DOOR

LEFT DOOR

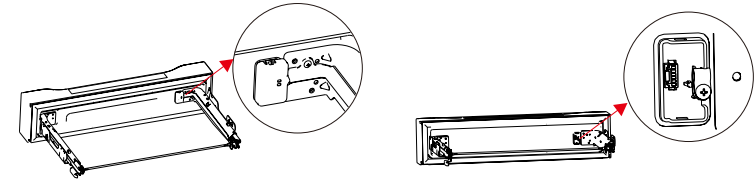
1. There are three screws to remove from the top panel. Remove carefully to not break the water line.
2. Disconnect water line connector and remove top panel. There is a blue tab at the connection that will need to be removed.
3. Remove the six Molex connectors.
4. Remove ground screw.
5. Remove the three bolts to free up the hinge.
6. Lift door firmly up and it should pop off. No screws will need to be taken off at lower hinge.

RIGHT DOOR

1. Remove top panel.
2. Disconnect water line.
3. Disconnect the two Molex connectors.
4. Remove the three screws.
5. Lift door firmly up and it should pop off. No screws will need to be taken off at lower hinge.

OPERATION

VARIABLE TEMPERATURE DRAWER

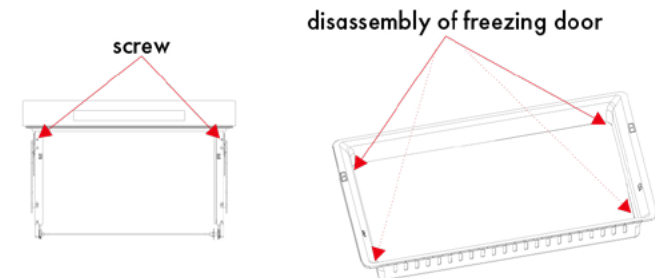


1. Remove shelf by pulling forward and lifting up past tabs on each side. Wiggle loose and pull shelf up and out of drawer.
2. Remove screw from wire cover.
3. Remove wire cover assembly by pulling tabs and pulling entire assembly back.
4. Remove wire screw and disconnect wire.
5. Remove one screw at left and right side at the front of the rails. Lift and pull drawer out.

TOP SHELF

1. Lift up and pull up and out.

FREEZER DOOR



1. Remove top shelf (see above.)
2. Lift lower tray up and forward out of frozen compartment.
3. Remove one screw at left and right rail.
4. Slide door up and out.

MAINTENANCE AND CLEANING

MAINTENANCE AND CARE OF THE REFRIGERATORS

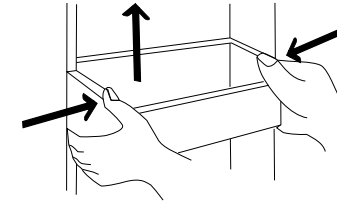
OVERALL CLEANING

- Dirt and dust behind the refrigerator and on the surrounding floor should be cleaned frequently to improve the cooling effect and save energy.
- Check the door gasket regularly to make sure there is no debris. Clean the door gasket with a soft cloth dampened with soapy water or diluted detergent.
- The interior of the refrigerator should be cleaned regularly to avoid odor.
- Please turn off the power before cleaning interior. Remove all food, drinks, shelves, drawers, etc.
- Use a soft cloth or sponge to clean the inside of the refrigerator, with two tablespoons of baking soda and a quart of warm water. Then rinse with water and wipe clean. After cleaning, open the door and let it dry naturally before turning on the power.
- For areas that are difficult to clean in the refrigerator (such as narrow crevices, gaps or corners), it is recommended to wipe them regularly with a soft rag, soft brush, etc. and when necessary, combined with some auxiliary tools (such as popsicle sticks) to ensure no contaminants or bacteria accumulation in these areas.
- Do not use soap, detergent, scrub powder, spray cleaner, etc., as these may cause odors in the interior of the refrigerator or contaminate food.
- Clean the shelves and drawers with a soft cloth dampened with soapy water or diluted detergent. Dry with a soft cloth or dry naturally.
- Wipe the outer surface of the refrigerator with a soft cloth dampened with stainless steel cleaner, soapy water, detergent, etc., and then wipe dry.
- Do not use hard brushes, steel cleaning balls, wire brushes, abrasives (such as toothpastes), organic solvents (such as alcohol, acetone, banana oil, etc.), boiling water, acid or alkaline items, which may damage the fridge surface and interior. Boiling water and organic solvents such as benzene may deform or damage plastic parts.
- Do not rinse directly with water or other liquids during cleaning to avoid short circuits or affect electrical insulation after immersion.

Please unplug the refrigerator for defrost and cleaning.

MAINTENANCE AND CLEANING

DOOR TRAY

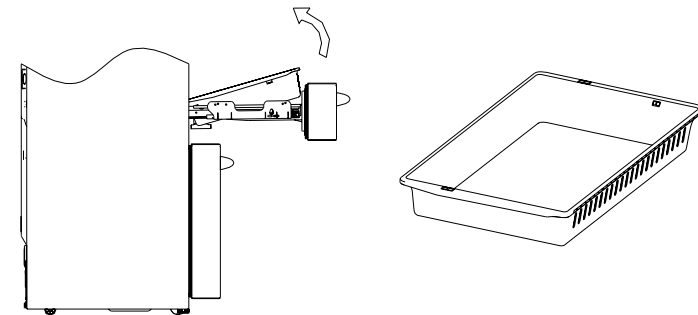


- Squeeze tray at both sides then left up and out.
- After cleaning, you can adjust the height to your needs.

CLEANING OF DRAWERS

VARIABLE TEMPERATURE DRAWER

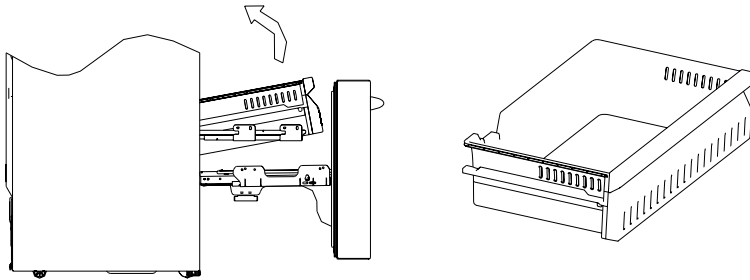
1. Open the variable temperature door to the maximum length.
2. Hold the left and right sides of the variable temperature drawer with both hands.
3. Lift the end and exert a little force to pull the whole drawer back about 5/8", until the support hinge of the slide rail is separated from the drawer.
4. Lift the front end of the drawer at a certain angle, hold the drawer, and move horizontally to the inside of the chamber.
5. Rotate it back and up to remove the drawer.



MAINTENANCE AND CLEANING

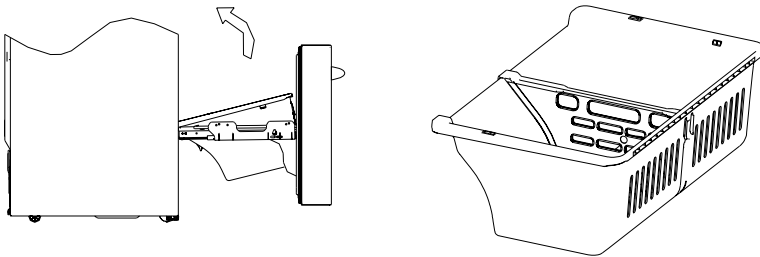
UPPER FREEZER DRAWER

- Open the freezing chamber door to the maximum length.
- Lift the end of the upper drawer of the freezing chamber, pull the slide rail so that it can not move, and push the drawer forward to separate the drawer from the support hinge of the slide rail.
- Separate the drawer from the support hinge on the side of the slide rail with the same method.
- Rotate the drawer it back and up to remove it after the slide rail support is separated from the drawer.



LOWER FREEZER BASKET

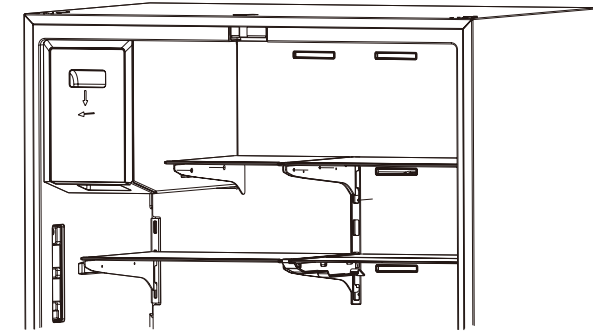
- Open the freezing chamber door to the maximum length.
- Hold the left and right sides of the lower drawer of the freezing chamber
- Lift the end of the drawer to pull the whole drawer about 5/8" to the external side of the chamber until the sliding rail support hinge is separated from the drawer and rotate the drawer back and up to take it out.



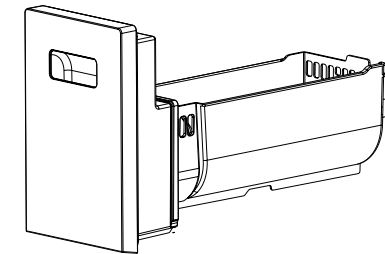
MAINTENANCE AND CLEANING

CLEANING ICE BUCKET

When you need a lot of ice or you need to clean the ice bucket, you can take out the ice bucket. Always remember to put it back.



1. Hold the handle of the ice bucket with your hand, press it gently, and then pull it out horizontally;



2. Push the ice bucket in slightly after cleaning.

Note: Remove ice that may have been dispensed when ice bucket was out.

CHANGING THE LIGHT

Any replacement or maintenance of the LED lamps is intended to be made by a professional.

MAINTENANCE AND CLEANING

DEFROSTING

The refrigerator is made based on the air-cooling principle and thus has automatic defrosting function. Frost formed due to change of season or temperature may also be manually removed by disconnection of the appliance from power supply or by wiping with a dry towel.

OUT OF OPERATION

- **Power failure:** In case of power failure, even in the summer, food inside the appliance can be kept for several hours. During the power failure, reduce the amount of times that you open the door and do not put any more food into the appliance.
- **Long-time nonuse:** Unplug the appliance. Clean it and leave the doors open to prevent odor.
- **Moving:** Before the refrigerator is moved, take all objects inside out, secure the glass partitions, vegetable holder, freezing chamber drawers and etc. with tape, and tighten the leveling feet; close the doors and fix them with tape. While moving, the appliance shall not be laid upside down or horizontally or be vibrated. The inclination during movement should be no more than 45°.

TROUBLESHOOTING



ZLINE Customer Service is available at 1-614-777-5004.

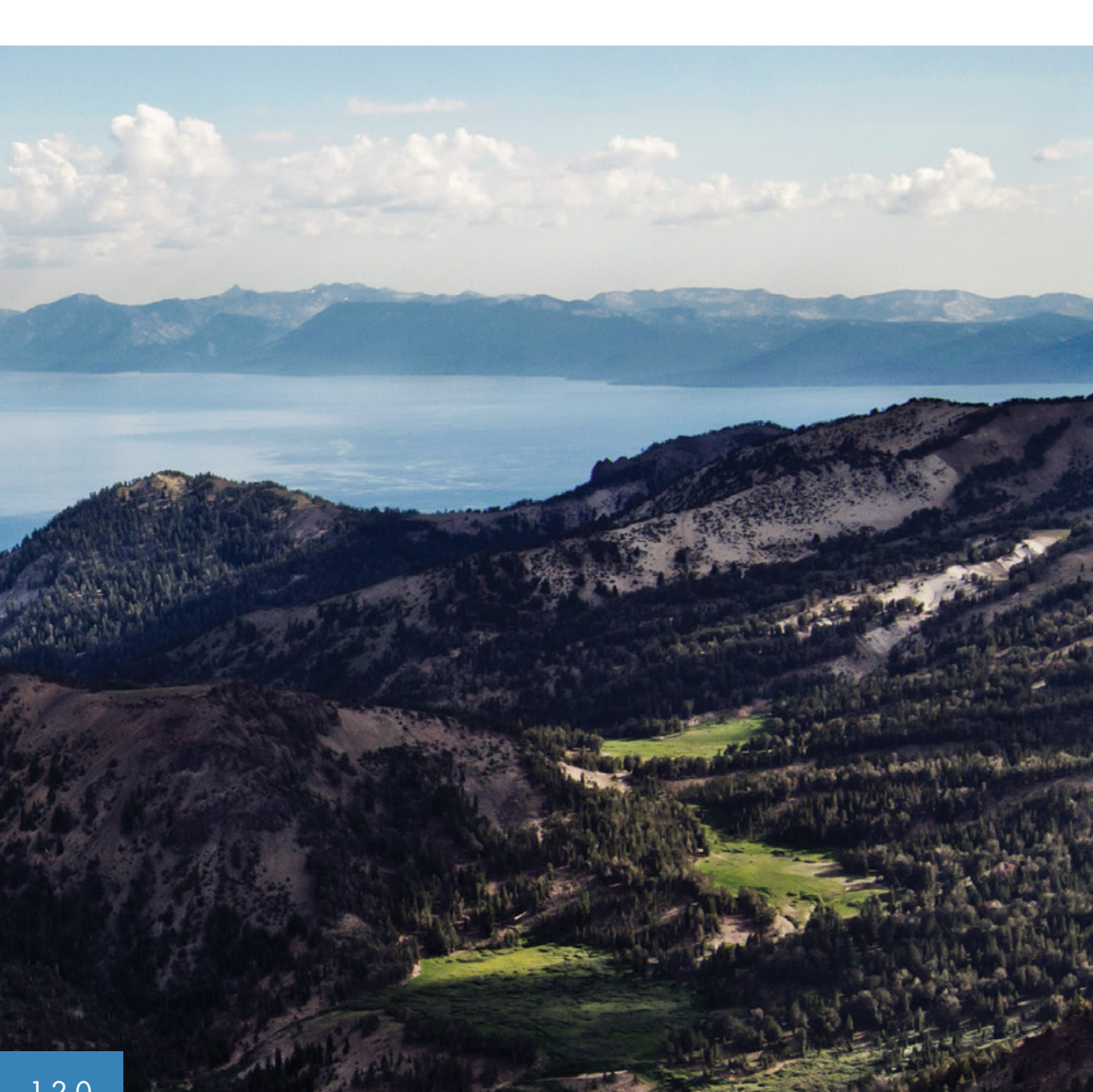
POSSIBLE FAULT	POSSIBLE FAULT/SOLUTION
Failed operation	Check whether the appliance is connected to power and/or whether the plug is securely plugged in.
	Check whether the voltage is too low.
	Check whether there is a power failure or partial circuits have tripped.
Odor	Odorous food should be tightly wrapped.
	Check whether there is any rotten food.
	Clean the inside of the refrigerator.
Long-time operation of the compressor	Long operation of the refrigerator is normal in summer when the ambient temperature is high.
	Do not put too much food in the appliance at the same time.
	Food should be cooled before being put into the appliance.
	The doors are opened too frequently.
	The condenser may be dirty and should be cleaned with care.
Light doesn't turn on	Check whether the refrigerator is connected to power supply and/or whether the light is damaged.
Doors cannot be properly closed	The door is obstructed by food packages.
	The refrigerator is tilted.
Loud noises	Check whether the floor is level and whether the refrigerator is placed stably.
	Check whether accessories are placed in proper locations.
Door seal fail to be tight	Remove foreign matters on the door seal.
	Heat the door seal and then cool it for restoration (or blow it with an electrical drier or use a hot towel for heating).

TROUBLESHOOTING

POSSIBLE FAULT	POSSIBLE FAULT/SOLUTION
Water pan overflows	There is too much food in the chamber or food stored contains too much water, resulting in heavy defrosting.
	The doors are not closed properly, resulting in frosting due to the entry of air and increased water due to defrosting.
Hot housing	This is heat dissipation of the built-in condenser via the housing, which is normal. When housing becomes hot due to high ambient temperature and storage of too much food, it is recommended to provide sound ventilation to facilitate heat dissipation. Hot housing can also be caused by the refrigerator cooling frequently. This will be normal when hosting parties or when the door is left open for long periods of time.
Surface condensation	Condensation on the exterior surface and door seals of the refrigerator is normal when the ambient humidity is too high. Wipe the condensate with a clean towel.
Abnormal noises	Buzz: The compressor may produce buzzes during operation and the buzzes are loud particularly upon start or stop. This is normal.
	Creak: Refrigerant flowing inside of the appliance may produce a creak and a bubbling noise, which is normal.
Ice maker does not make ice	After you install the water line and start the refrigerator, it may take 12 hours to start producing ice.
	Turn on the ice making function (see page 24).
	Check whether the water pressure meets 30-100psi and whether the water line is connected normally.
	Check whether the water supply valve is open and whether the water pipe is bent.
	Check whether the ice bucket is installed.

TROUBLESHOOTING

POSSIBLE FAULT	POSSIBLE FAULT/SOLUTION
No ice is dispensed	Check whether there is ice in the ice bucket.
	Check whether the ice melts and adheres. If the ice is not used for a long time, please empty the ice bucket and turn off the ice maker.
	Check whether the water line is connected normally, whether the water supply valve is opened, and whether the water pipe is bent.
	The ice discharging function can only be used when the refrigerating chamber door is closed.
No water is discharged out	Check whether the ice bucket is installed.
	Check whether the water line is connected normally, whether the water supply valve is opened, and whether the water pipe is bent or creased.
	The filter or water filter bypass plug must be installed before water can be discharged.
The speed of draining water out is slow	Check whether the filter or water filter bypass plug is installed properly.
	Check whether the water pressure meets 30-100 PSI.
The water tastes bad.	Please replace the filter. If filter doesn't work, call customer service at 614-777-5004.
	If the refrigerator is not used for more than four days, drain at least one gallon of water.
	Replace the filter in time.



1.2.0



ATTAINABLE **LUXURY**[®]

1-614-777-5004
contact@zlinekitchen.com

www.zlinekitchen.com