

## FEATURES & BENEFITS



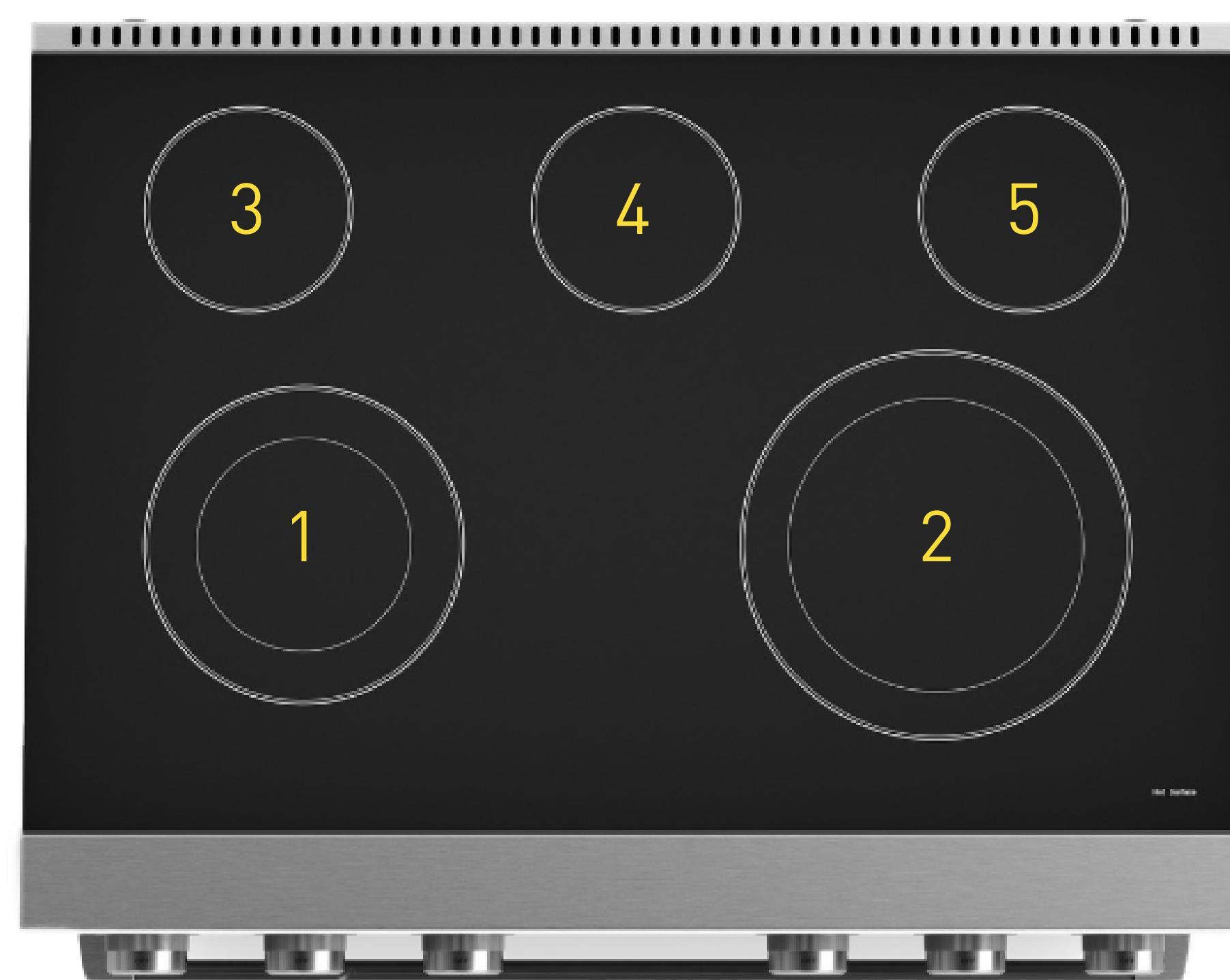
### SP 2-YEAR PARTS & LABOR WARRANTY

- ⚡ **Five Heating Elements** - Five element cooktop gives you the ultimate cooking flexibility with a powerful radiant cooktop. From a 1,200W single burner to a high-powered 3,000W dual heating element, this range gives you the power to master any meal.
- ⚡ **Large Oven Capacity** - 6.0 cu. ft. oven capacity can accommodate multiple dishes for enhanced cooking.
- ⚡ **Black Glass Top** - Black glass top catches the mess and makes cleanup easy.
- ⚡ **Convection fan** - Convection fan provides controlled heat distribution for fast and efficient cooking.
- ⚡ **Led Display Screen** - LED display screen, oven function button operation.

## TECHNICAL DETAILS

Fuel Type	Electric
Installation Type	Freestanding
Color	Stainless Steel
Voltage	240V 50A
Frequency(Hz)	60Hz
Control Type	Oven Function Button + LED Panel Display
Hot Surface Indicator Light	Front Right Corner Of Cooktop w/Temp At 150°F
Plug Type	3 Prongs Included
Cord Length	60 in.

## COOKTOP PERFORMANCE



Cooktop	Black Polished Plate Glass Ceramic
Total Number Of Heating Elements	5
1 - Front Left Element (Dual)	1,500W & 1,500W
2 - Front Right Element (Dual)	1,500W & 1,500W
3 - Rear Left Element (Single)	12,000W
4 - Rear Middle Element (Single)	12,000W
5 - Rear Right Element (Single)	12,000W

## OVEN PERFORMANCE

Oven Capacity	6.0 cu. ft.
Oven Color	Black
Oven Features	Bake, Broil, Conv Bake/Roast, Pizza, Keep Warm
Oven Control Buttons	Start/Ok, Timer On/Off
Lower Heater Power	3,000W
Top Heater Power	3,500W
Convection	Convection Fan
Oven Light	1*40W, Rear
Oven Racks	2
Rack Positions	6
Oven Rack Material	Chrome Plated
Baking Sheet Size	Fits up to 28" x 14" Sheet
Oven Height	18 in.
Oven Width	30 in.
Oven Depth	19 in.



### DIMENSIONS & WEIGHT

Product Height	36" - 39"
Product Width	35 7/8"
Product Depth (Including Door)	26 1/2"
Adjustable Leg Size	3" Max.
Cutout Height	36"
Cutout Width	36"
Cutout Depth	24"

### ACCESSORIES INCLUDED

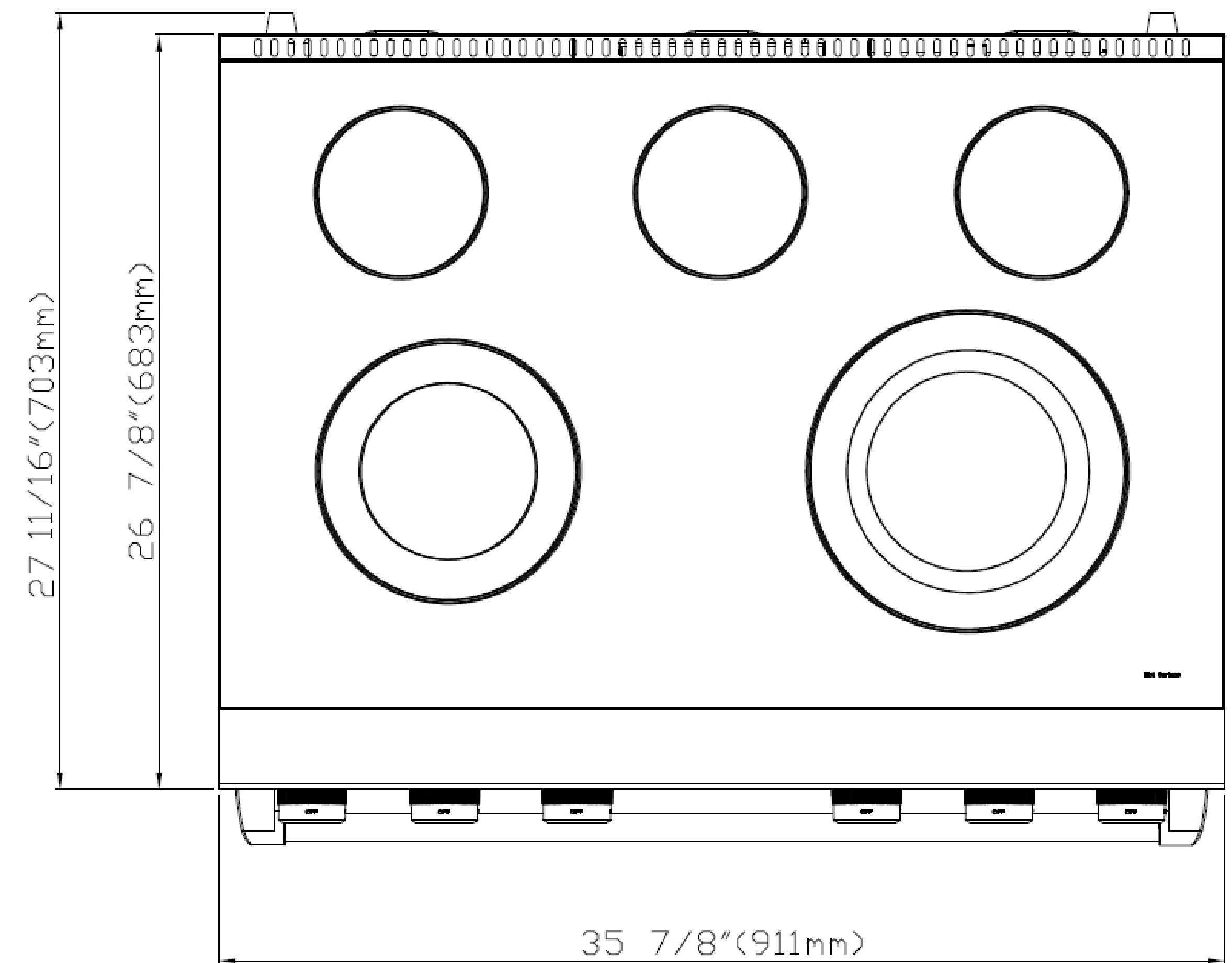
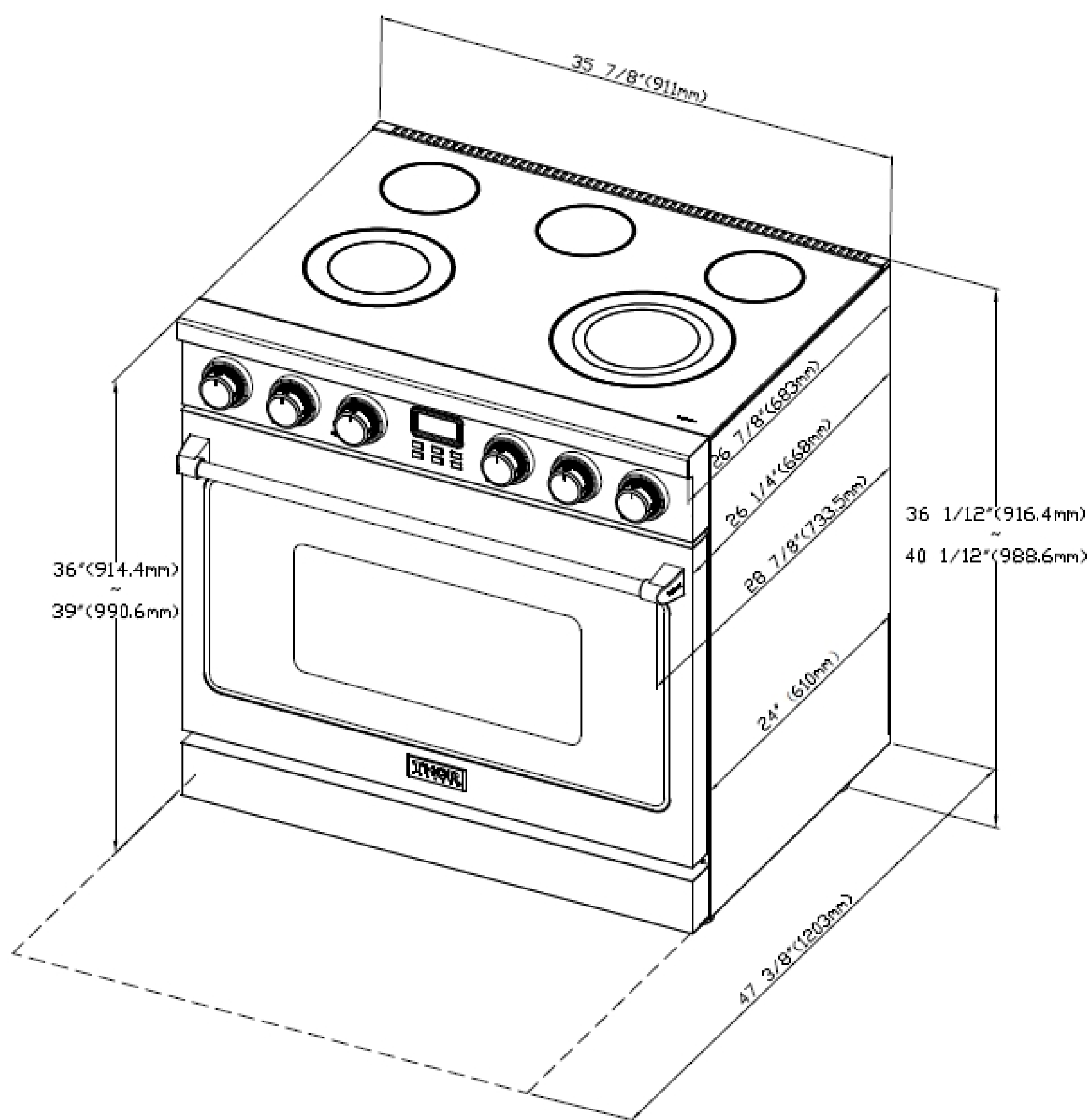
2 Oven Racks, 1 Broiler Pan, 1 Bake Pan





### CUT SHEETS

#### 36-INCH ELECTRIC RANGE DIMENSIONS



#### 36-INCH ELECTRIC RANGE REQUIRED CLEARANCE

