

TRF3601FD

36 INCH PROFESSIONAL FRENCH DOOR REFRIGERATOR

# COOK LIKE A GOD

**THOR**  
K I T C H E N<sup>®</sup>

**USE & CARE MANUAL**

USE AND CARE MANUAL

# 36 INCH PROFESSIONAL REFRIGERATOR WITH ICE AND WATER DISPENSER

## TRF3601FD

**THOR**  
K I T C H E N<sup>®</sup>

# TABLE OF CONTENTS

---

## 1 Safety warnings

1.1 Warning	1-2
1.2 Meanings of safety warning symbols	3
1.3 Electricity related warnings	3
1.4 Warnings for using	4
1.5 Warnings for placement	4-5
1.6 Warnings for energy	5
1.7 Warnings for disposal	5

## 2 Proper use of the refrigerator

2.1 Placement	6
2.2 Levelling feet	7
2.3 Levelling door	8
2.4 Door handles	9
2.5 Adjustment of cantilever rack	10
2.6 Installing Filter	11
2.7 Installing the water line	18
2.8 Changing the Light	19
2.9 Starting	19

## 3 Structure and functions

3.1 Key components	14-15
3.2 Functions	16-18
3.3 Fetching water and Ice	19
3.4 Disassembly of refrigerator door	20

## 4 Maintenance and care of the refrigerator

4.1 Overall cleaning	21
4.2 Cleaning of door tray	21
4.3 Cleaning of drawers	22
4.4 Cleaning of ice storage box	23
4.5 Defrosting	24
4.6 Out of operation	24

## 5 Trouble shooting

5.1 Trouble shooting	25
----------------------	----

## 6 Warranty

27
----

# 1 SAFETY WARNINGS

## 1.1 Warning



**Warning:** risk of fire / flammable materials

**THIS** appliance is intended to be used in household and similar applications such as staff kitchen areas in shops, offices and other working environments; farm houses and by clients in hotels, motels and other residential type environments; bed and breakfast type environments; catering and similar non-retail applications.

**THIS** appliance is not intended for use by persons (including children) with reduced physical, sensory or mental capabilities, or lack of experience and knowledge, unless they have been given supervision or instruction concerning use of the appliance by a person responsible for their safety.) Children should be supervised to ensure that they do not play with the appliance.

**IF** the supply cord is damaged, it must be replaced by the manufacturer, its service agent or similarly qualified persons in order to avoid a hazard.

**DO** not store explosive substances such as aerosol cans with a flammable propellant in this appliance.

**THE** appliance has to be unplugged after use and before carrying out user maintenance on the appliance.

**WARNING:** Keep ventilation openings, in the appliance enclosure or in the built-in structure, clear of obstruction.

**WARNING:** Do not use mechanical devices or other means to accelerate the defrosting process, other than those recommended by the manufacturer.

**WARNING:** Do not damage the refrigerant circuit.

**WARNING:** Do not use electrical appliances inside the food storage compartments of the appliance, unless they are of the type recommended by the manufacturer.

**WARNING:** Please abandon the refrigerator according to local regulators for it use flammable blowing gas and refrigerant.

**WARNING:** When positioning the appliance, ensure the supply cord is not trapped or damaged.

**WARNING:** Do not locate multiple portable socket-outlets or portable power supplies at the rear of the appliance.

**DO** not use extension cords or ungrounded (two prong) adapters.

**WARNING:** Risk of child entrapment. Before you throw away your old refrigerator or freezer:

- Take off the doors.
- Leave the shelves in place so that children may not easily climb inside.

**THE** refrigerator must be disconnected from the source of electrical supply before attempting the installation of accessory.

# 1 SAFETY WARNINGS

**REFRIGERANT** and cyclopentane foaming material used for the appliance are flammable. Therefore, when the appliance is scrapped, it shall be kept away from any fire source and be recovered by a special recovering company with corresponding qualification other than be disposed by combustion, so as to prevent damage to the environment or any other harm.

**CHILDREN** should be supervised to ensure that they do not play with the appliance.

**WARNING:** To avoid a hazard due to instability of the appliance, it must be fixed in accordance with the instructions.

**WARNING:** Connect to potable water supply only. (Suitable for ice making machine)




**TO** Prevent A Child From Being Entrapped, Keep Out Of Reach Of Children And Not In The Vicinity Of Freezer (Or Refrigerator).“(Suitable for products with locks)

Minimum/Maximum inlet water pressure, 30/100 PSIG.

**WARNING:** Connect to potable water supply only.

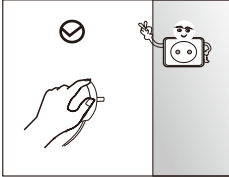
# 1 SAFETY WARNINGS

## 1.2 Meaning of safety warning symbols

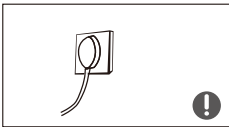
	This is a prohibition symbol. Any incomppliance with instructions marked with this symbol may result in damage to the product or endanger the personal safety of the user.
	This is a warning symbol. It is required to operate in strict observance of instructions marked with this symbol; or otherwise damage to the product or personal injury may be caused.
	This is a cautioning symbol. Instructions marked with this symbol require special caution. Insufficient caution may result in slight or moderate injury, or damage to the product.

This manual contains lots of important safety information which shall be observed by the users.

## 1.3 Electricity related warnings



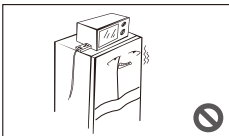
- Do not pull the power cord when pulling the power plug of the refrigerator. Please firmly grasp the plug and pull out it from the socket directly.
- To ensure safe use, do not damage the power cord or use the power cord when it is damaged or worn.



- Please use a dedicated power socket and the power socket shall not be shared with other electrical appliances. The power plug should be firmly contacted with the socket or else fires might be caused.
- Please ensure that the grounding electrode of the power socket is equipped with a reliable grounding line.



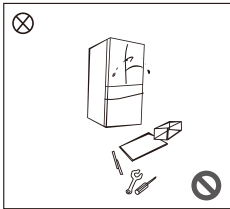
- Please turn off the valve of the leaking gas and then open the doors and windows in case of leakage of gas and other flammable gases. Do not unplug the refrigerator and other electrical appliances considering that spark may cause a fire.



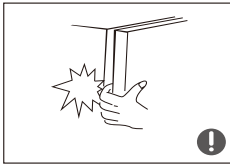
- Do not use electrical appliances on the top of the appliance, unless they are of the type recommended by the manufacturer.

# 1 SAFETY WARNINGS

## 1.4 Warnings for using



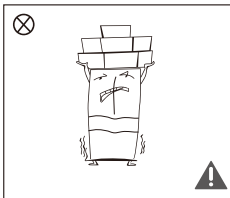
- Do not arbitrarily disassemble or reconstruct the refrigerator, nor damage the refrigerant circuit; maintenance of the appliance must be conducted by a specialist.
- Damaged power cord must be replaced by the manufacturer, its maintenance department or related professionals in order to avoid danger.



- The gaps between refrigerator doors and between doors and refrigerator body are small, be noted not to put your hand in these areas to prevent from squeezing the finger. Please be gentle when close the refrigerator door to avoid falling articles.
- Do not pick foods or containers with wet hands in the freezing chamber when the refrigerator is running, especially metal containers in order to avoid frostbite.

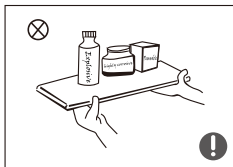


- Do not allow any child to get into or climb the refrigerator; otherwise suffocation or falling injury of the child may be caused.

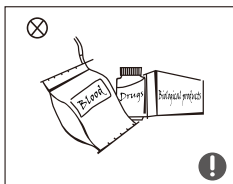


- Do not place heavy objects on the top of the refrigerator considering that objects may fall when close or open the door, and accidental injuries might be caused.
- Please pull out the plug in case of power failure or cleaning. Do not connect the freezer to power supply within five minutes to prevent damages to the compressor due to successive starts.

## 1.5 Warnings for placement of items

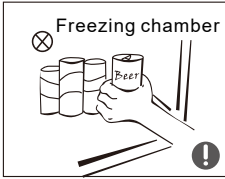


- Do not put flammable, explosive, volatile and highly corrosive items in the refrigerator to prevent damages to the product or fire accidents.
- Do not place flammable items near the refrigerator to avoid fires.



- The refrigerator is intended for household use, such as storage of foods; it shall not be used for other purposes, such as storage of blood, drugs or biological products, etc.

# 1 SAFETY WARNINGS



- Do not store beer, beverage or other fluid contained in bottles or enclosed containers in the freezing chamber of the refrigerator; or otherwise the bottles or enclosed containers may crack due to freezing to cause damages.

## 1.6 Warnings for energy

### Warning for energy

- 1) Refrigerating appliances might not operate consistently (possibility of defrosting of contents or temperature becoming too warm in the frozen food compartment) when sited for an extended period of time below the cold end of the range of temperatures for which the refrigerating appliance is designed.
- 2) The fact that effervescent drinks should not be stored in food freezer compartments or cabinets or in low-temperature compartments or cabinets, and that some products such as water ices should not be consumed too cold;
- 3) The need to not exceed the storage time(s) recommended by the food manufacturers for any kind of food and particularly for commercially quick-frozen food in food-freezer and frozen-food storage compartments or cabinets;
- 4) The precautions necessary to prevent an undue rise in the temperature of the frozen food while defrosting the refrigerating appliance, such as wrapping the frozen food in several layers of newspaper.
- 5) The fact that a rise in temperature of the frozen food during manual defrosting, maintenance or cleaning could shorten the storage life.
- 6) The necessity that, for doors or lids fitted with locks and keys, the keys be kept out of the reach of children and not in the vicinity of the refrigerating appliance, in order to prevent children from being locked inside.

### Energy saving tips

The appliance should be located in the coolest area of the room, away from heat producing appliances or heating ducts, and out of the direct sunlight.

Let hot foods cool to room temperature before placing in the appliance. Overloading the appliance forces the compressor to run longer. Foods that freeze too slowly may lose quality, or spoil.

Be sure to wrap foods properly, and wipe containers dry before placing them in the appliance. This cuts down on frost build-up inside the appliance.

Appliance storage bin should not be lined with aluminum foil, wax paper, or paper toweling. Liners interfere with cold air circulation, making the appliance less efficient.

Organize and label food to reduce door openings and extended searches. Remove as many items as needed at one time, and close the door as soon as possible.

## 1.7 Warnings for disposal

Refrigerant and cyclopentane foaming material used for the refrigerator are flammable.

Therefore, when the refrigerator is scrapped, it shall be kept away from any fire source and be recovered by a special recovering company with corresponding qualification other than be disposed by combustion, so as to prevent damage to the environment or any other harm.



When the refrigerator is scrapped, disassemble the doors, and remove gasket of door and shelves; put the doors and shelves in a proper place, so as to prevent trapping of any child.



### Correct Disposal of this product:

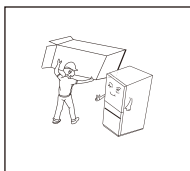
This marking indicates that this product should not be disposed with other household wastes throughout the EU. To prevent possible harm to the environment or human health from uncontrolled waste disposal, recycle it responsibly to promote the sustainable reuse of material resources. To return your used device, please use the return and collection systems or contact the retailer where the product was purchased. They can take this product for environmental safe recycling.

This refrigerator can not be hooked up to a GFCI outlet.



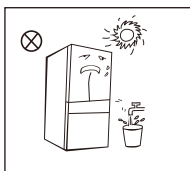
# 2 PROPER USE OF REFRIGERATORS

## 2.1 Placement

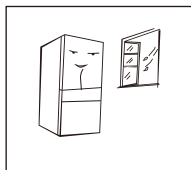


- Keep the refrigerator upright to avoid being extruded or vibrated during transportation. Avoid over 45 degrees during tilt angle handling. Avoid excessive stress on the door or top cover when the refrigerator is moved; in addition, it may deform.

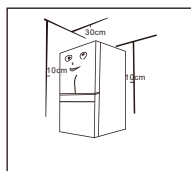
Before use, remove all packing materials, including bottom cushions, foam pads and tapes inside of the refrigerator; tear off the protective film on the doors and the refrigerator body.



- Keep away from heat and avoid direct sunlight. Do not place the freezer in moist or watery places to prevent rust or reduction of insulating effect.



- The refrigerator is placed in a well-ventilated indoor place; the ground shall be flat, and sturdy (rotate left or right to adjust the wheel for levelling if unstable).



- The top space of the refrigerator shall be greater than 30cm, and the refrigerator should be placed against a wall with a free distance more than 10cm to facilitate the heat dissipation.

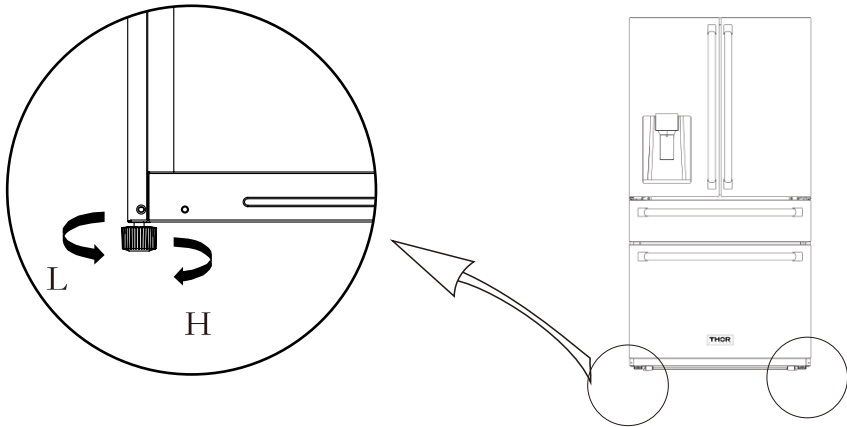
### ⓘ Precautions before installation:

Before installation or adjusting of accessories, it shall be ensured that the refrigerator is disconnected from power.

Precautions shall be taken to prevent fall of the handle from causing any personal injury.

## 2 PROPER USE OF REFRIGERATORS

### 2.2 Levelling feet




(The picture above is only for reference. The actual configuration will depend on the physical product or statement by the distributor)

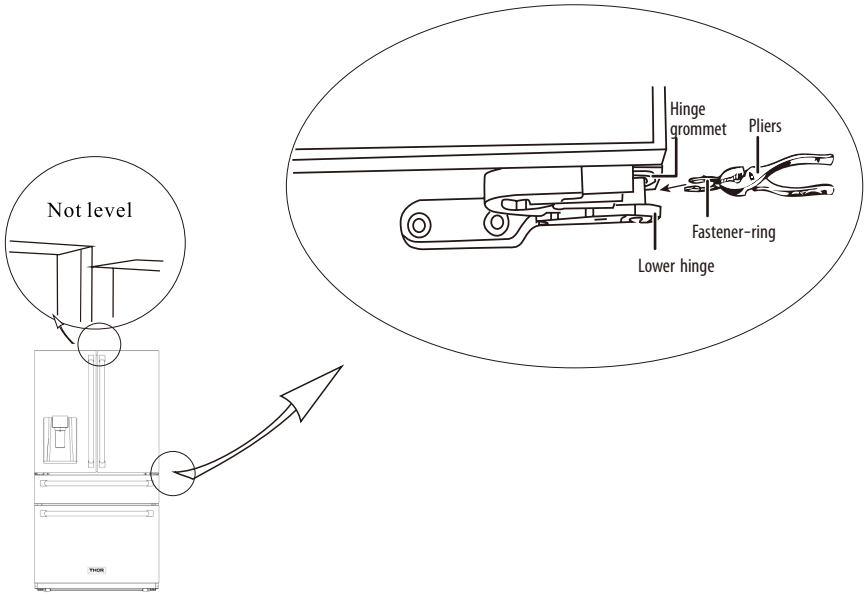
Adjusting procedures:

- a. Turn the feet clockwise to raise the refrigerator;
- b. Turn the feet counterclockwise to lower the refrigerator;
- c. Adjust the right and left feet based on the procedures above to a horizontal level.

# 2 PROPER USE OF REFRIGERATORS

## 2.3 Levelling door

List of tools to be provided by the user	
	plier



(The picture above is only for reference. The actual configuration will depend on the physical product or statement by the distributor)

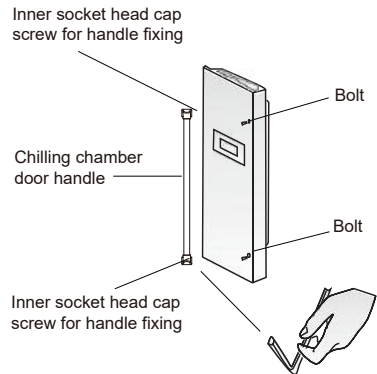
- 1) Raise the lower door up to the level of the higher door.
- 2) Insert the supplied fastener-ring by using plier in the gap between the hinge-grommet and the lower hinge. The number of fastener-rings you will need to insert depends on the gap.

## 2 PROPER USE OF REFRIGERATORS

### 2.4 Door handles

#### Assembly Instructions of Cold Storage Door Handle:

1. Take the handle set bolts out from the refrigerator, use cross recessed screwdriver to set the bolt on the door. Fix it tight with all the screw thread twisted through the hole, as shown in the figure;
2. After the first step is completed, take the Cold storage door handle out from the box, place it as per direction shown in the figure (Note: i.e. the direction which both screw holes on the handle are close to the edge), and hang the handle above the set bolt;
3. Use the small hexagon spanner supplied in the box to set the handle fixing socket head cap screws into both the small screwed holes on the handle. After they are screwed down, gently shake the handle to test if the handles are well erected.



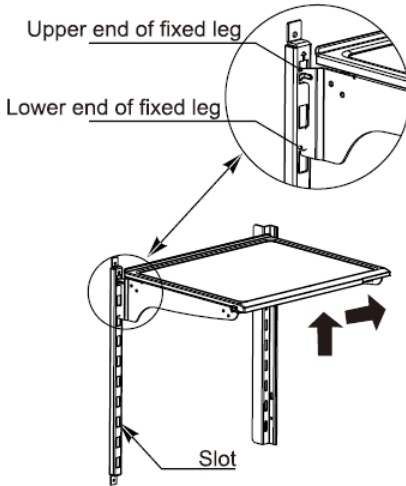
Scheme of installation of cold storage door handle

#### Assembly Instructions of The Refrigeration Door Handle:

The assembly steps of the refrigeration door handle are same as the cold storage door handle. Please note, the direction of tapping holds are downward to the ground when assemble the refrigerator.

## 2 PROPER USE OF REFRIGERATORS

### 2.5 Adjustment of cantilever rack



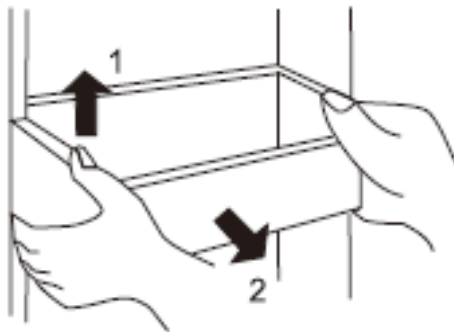
#### Adjustment of cantilever rack

The cantilever rack could be adjusted to the proper height as required by food.

Please adjust the cantilever rack by following the arrows as shown in the diagram.

Raise it upward first and then take it out by tilting it upward.

During installation, put the upper end of the fixed leg into one of the upper slots on the supporting iron first and then put the lower end of the fixed leg into the third slot on the lower part of the supporting iron.



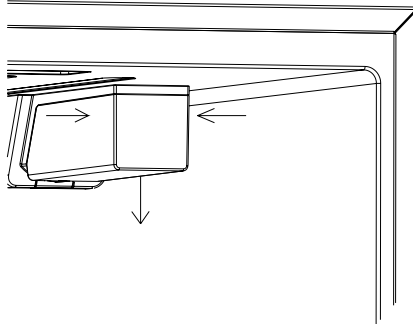
#### Height adjustment and cleaning of door-mounted bottle rack

Raise the bottle rack in the direction, hold it with both hands and take it out in the direction.

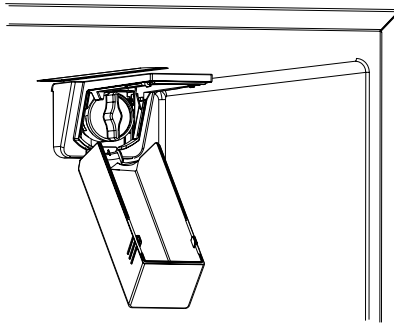
After cleaning, you can install the rack in the reverse order and you can also adjust the height of the rack.

## 2 PROPER USE OF REFRIGERATORS

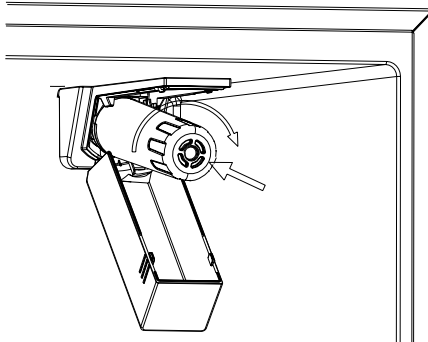
### 2.6 Installing Filter



1. When the refrigerator is used for the first time, press down the marks on both sides of the filter cover by hand and open the filter cover downward;



2. Then rotate the dustproof plug anticlockwise and remove the dustproof plug;



3. Remove the exterior package of the filter, rotate the filter clockwise and press the filter element, and install the filter element at the joint position of the refrigerator filter until the filter element can not rotate;

4. When the filter sign luminaire in the display panel is on, it prompts to replace the filter element. The method of removing the filter element is the same as that of removing the dustproof plug;

5. The filter is recommended to be replaced every half a year.

# 2 PROPER USE OF REFRIGERATORS

## 2.7 Installing the water line

### Water connection



### WARNING

**Risk of electric shock and damage to the appliance!**

**Disconnect the appliance from the power source before performing any work on the water connection.**

**Only a qualified installation technician may connect the appliance to the water supply in accordance with plumbing and relevant water utility company regulations.**

Connect the appliance to a drinking water line only:

- Minimum pressure:  
0.17 MPa (1.72 bar, 24.95 PSI)
- Maximum pressure:  
0.82 MPa (8.25 bar, 119.66 PSI)
- Pressure over 0.82 MPa (8.25 bar, 119.66 PSI):  
install a pressure limiter between drinking water connection and hose set.

The water should be connected only by a competent plumber according to the local regulations of the appropriate Water Supply company.

A cold water connection is necessary for operating the ice maker. The water pressure must be between 0.17 MPa (1.72 bar, 24.95 PSI) and 0.82 MPa (8.25 bar, 119.66 PSI). The installation must correspond to the local plumbing regulations.

A separate Shut-Off-Valve should be installed in the cold-water inflow.

The Shut-Off-Valve should not be located behind the appliance. It is recommended that you mount the Shut-Off-Valve directly next to the appliance or at another place that is easily accessible.

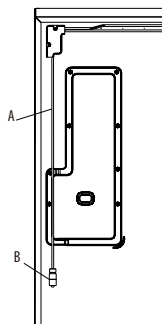
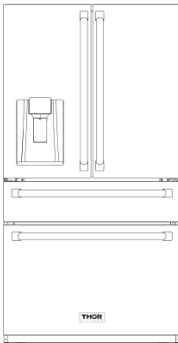
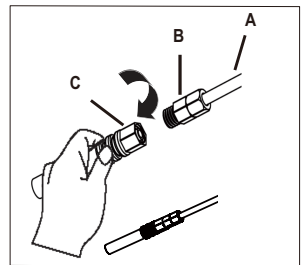
When installing the water connection, pay attention to the permissible installation area for the water line.

For connection to the drinking water line use only water pipes that are suitable for drinking water. Observe national regulations and the connection conditions of the local Water Supply companies.

### Connecting the water line

Most homes are equipped with water line installation parts. If yours is not or needs replacing, water line installation kits are available to purchase from BSH part number 00646836 or from a hardware store/dealer.

1. Shut off the main water supply line.
2. Install a shut-off valve and water line  $\frac{1}{4}$ " x  $\frac{1}{4}$ " compression thread (UNS 7/16-24), accessible with product in place. Refer to local code and instructions with water line installation kit (not included).
3. Connect the newly installed water supply line (C) to the refrigerator water inlet connector (B), tighten using tool.
4. Gently tug on the supply waterline to ensure a proper fit and risk of damage when pulling or pushing the unit for cleaning.
5. Turn main water back on and check for leaks.

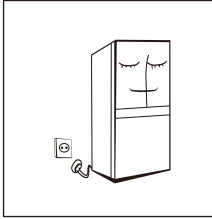


## 2 PROPER USE OF REFRIGERATORS

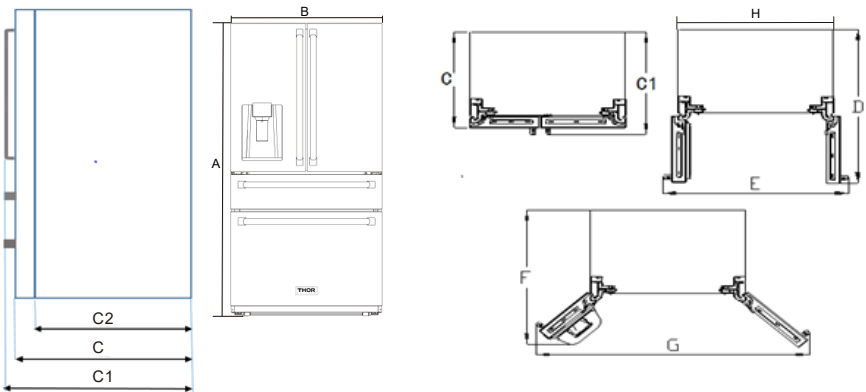
### 2.8 Changing the Light

Any replacement or maintenance of the LED lamps is intended to be made by the manufacturer, its service agent or similar qualified person.

### 2.9 Starting to use



- Before initial start, keep the refrigerator still for two hours before connecting it to power supply.
- Before putting any fresh or frozen foods, the refrigerator shall have run for 2-3 hours, or for above 4 hours in summer when the ambient temperature is high.



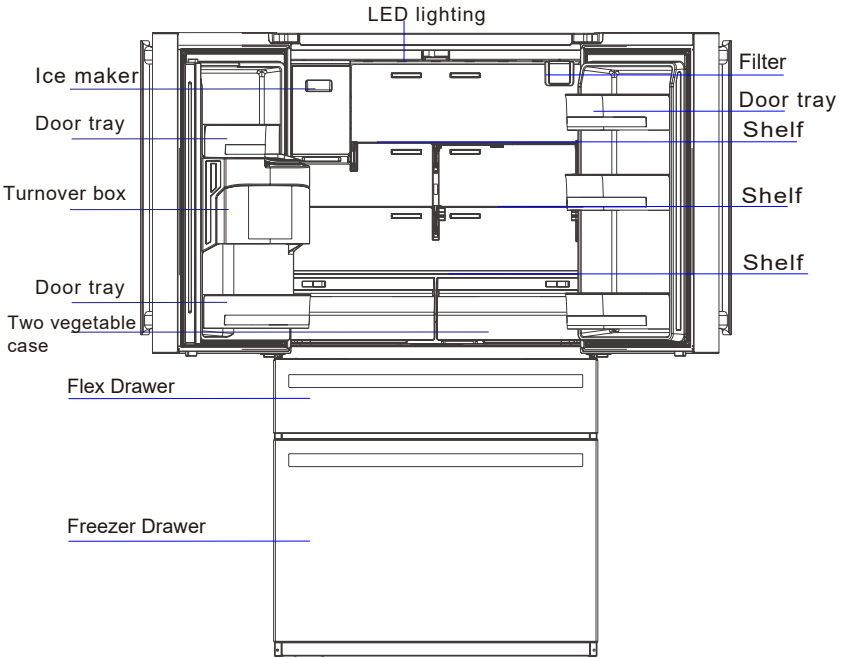
	CODE	SIZE (IN)	SIZE(mm)
Height	A	69 13/16"	1772.7
Width	B	35 13/16"	910
Depth without Doors	C2	24 7/16"	620
Depth with Handles	C1	30 15/16"	785.5
Depth	C	29	737
Door open 90° Depth	D	43 3/16"	1096.5
Door open 90° Width	E	44 1/4"	1124
Door open 122° Depth	F	42 3/16"	1072
Door open 122° Width	G	60	1524
Width	H	35 5/8"	905



# 3 STRUCTURE AND FUNCTIONS

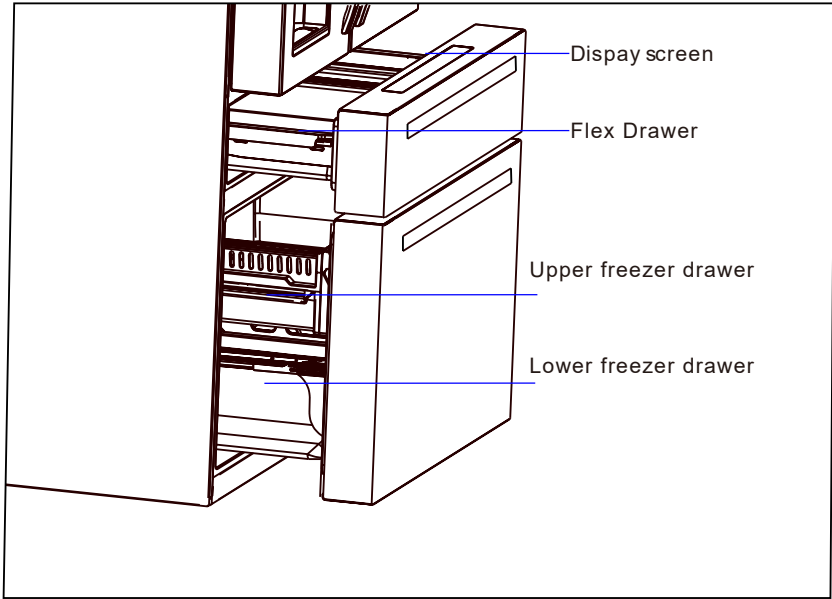
## 3.1 Key components

(Refrigerating chamber)



(The picture above is only for reference. The actual configuration will depend on the physical product or statement by the distributor)

## 3 STRUCTURE AND FUNCTIONS



(The picture above is only for reference. The actual configuration will depend on the physical product or statement by the distributor)

### Refrigerating chamber

- The Refrigerating Chamber is suitable for storage of a variety of fruits, vegetables, beverages and other food consumed in the short term.
- Cooking foods shall not be put in the refrigerating chamber until cooled to room temperature.
- Foods are recommended to be sealed up before putting into the refrigerator.
- The glass shelves can be adjusted up or down for a reasonable amount of storage space and easy use.

### Freezing chamber

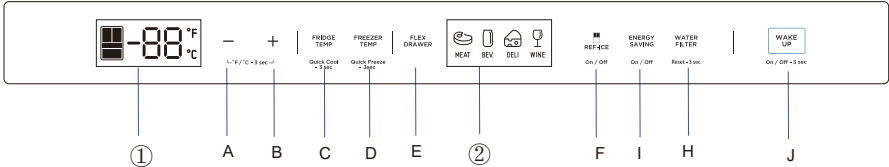
- The low temperature freezing chamber may keep food fresh for a long time and it is mainly used to store frozen foods and making ice.
- The freezing chamber is suitable for storage of meat, fish, rice balls and other foods not to be consumed in short term.
- Chunks of meat are preferably to be divided into small pieces for quick freezing and easy access. Please be noted food shall be consumed within the shelf time.

### Flex Drawer

- The flex drawer temperature can be adjusted in  $-1\text{ }^{\circ}\text{C}/30\text{ }^{\circ}\text{F}$ ,  $1\text{ }^{\circ}\text{C}/34\text{ }^{\circ}\text{F}$ ,  $3\text{ }^{\circ}\text{C}/37\text{ }^{\circ}\text{F}$  and  $5\text{ }^{\circ}\text{C}/41\text{ }^{\circ}\text{F}$ , and the appropriate temperature can be selected according to the needs of different foods.
- When flex drawer temperature is set at  $-1\text{ }^{\circ}\text{C}/30\text{ }^{\circ}\text{F}$ , it is suitable to store meat.
- When flex drawer temperature is set at  $1\text{ }^{\circ}\text{C}/34\text{ }^{\circ}\text{F}$ , it is suitable to store drinks.
- When flex drawer temperature is set at  $3\text{ }^{\circ}\text{C}/37\text{ }^{\circ}\text{F}$ , it is suitable to store cooked food.
- When flex drainer temperature is set at  $5\text{ }^{\circ}\text{C}/41\text{ }^{\circ}\text{F}$ , it is suitable to stored wine.

# 3 STRUCTURE AND FUNCTIONS

## 3.2 Functions



( The picture above is only for reference. The actual configuration will depend on the physical product or statement by the distributor )

### Display screen

① Temperature zone display    ② Temperature shift gear

### Operation key

A. Temperature downward    B. Temperature upward    C. Refrigerating chamber button  
 D. Freezing chamber button    E. Flex Drawer button    F. Initial button for refrigerating the madeice  
 H. Filter prompt    I. Energy saving Mode    J. Lock button

### Display

1) Main display control (display control on drawer door)

When the power is on for the first time, the icons will be semi-bright and fully displayed and scrolled from left to right.

Then the icons will be fully highlighted and fully displayed for 3 seconds. At the same time, the start-up bell will ring, and then the display will enter normal operation. (When the refrigerator is energized for the first power, the temperature of refrigerating chamber, freezing chamber and flex drawer is set at 39°F/0°F/37°F respectively).

Under normal conditions, if there is no door opening action and no key operation for 30 seconds, then the display will be locked, and the display will be off after 30 seconds at locking status;

When the display screen is not on, if any key is pressed, the display screen will be on normally;

2) Distributor display and control

When the refrigerator is energized for the first time, the distributor display and control will be fully displayed for 3 seconds and then it enters the normal operation display (water outlet function is default option when the refrigerator is energized for the first time);

### Locking and unlocking

In the unlocking state, press and hold the locking key for 3 seconds to enter the locking state and the locking buzzer beeps.

In the locking state, press and hold the locking key for 3 seconds to enter the unlocking state and the unlocking buzzer beeps.

If no key is pressed after 30 seconds, the display screen enters the locking state automatically.

### Temperature setting of refrigerating chamber

Press the refrigerating key to select the refrigerating temperature zone, and then press the“-” and “+” temperature regulation keys to adjust the temperature of the refrigerating chamber. The“-” key is pressed once the temperature will drop by 1°C/1°F. After the temperature reaches 1°C/34 °F, the“-” key will be invalid no matter how it is pressed.

The “+” key is pressed once the temperature will rise by 1°C/1°F. After the temperature reaches 7°C/44 °F, the “+” key will be invalid no matter how it is pressed. The temperature setting range of refrigerating chamber 1°C /34 °F ~ 7 °C/44 °F. The setting will take effect after locking.

## 3 STRUCTURE AND FUNCTIONS

### Temperature setting of flex drawer

Press the flex drawer key to select temperature shift zone, and press the temperature shift key again to adjust the temperature of flex drawer. The temperature shift key is pressed once, the temperature will be increased by 1 gear, When the temperature is increased to WINE (4th gear), press the temperature shift key again, the temperature will return to MEAT(1st gear). The corresponding temperature settings of each gear are MEAT(-1°C/30°F), BEV (1°C/34°F), DELI (3°C/37°F), and WINE (5 °C/ 41°F).The settings will take effect after locking.

### Temperature setting of freezing chamber

Press the freezing key to select the freezing temperature zone, and then press the“-” and “+” temperature regulation keys to adjust the temperature of the freezing chamber. The“-” key is pressed once the temperature will drop by 1°C/1°F. After the temperature reaches -22°C/-7 °F, the“-” key will be invalid no matter how it is pressed. The “+” key is pressed once the temperature will rise by 1°C/1°F.

After the temperature reaches -14°C/7 °F, the“-” key will be invalid no matter how it is pressed. The temperature setting range of freezing chamber -22°C /-7 °F ~ -14 °C/7 °F. The setting will take effect after locking.

### Switching between Fahrenheit temperature and Celsius temperature

The composite key of “+” and “-” is pressed for 3s, Fahrenheit temperature and Celsius temperature are switched and it will take effect after locking;

State setting of distributor

Touch the key of the corresponding mode to select ice cube mode / water drainage mode / ice breaking mode.

After the corresponding function is selected, the indicator light of the corresponding mode will be on. Water will be drained out immediately after water drainage mode is selected. Ice is drained out 3 seconds after the switch of ice cube mode /ice breaking mode is pressed.

### Control of distributor lamp

When the distributor switch is switched on, the distributor lamp will be on; when the distributor switch is disconnected, the distributor lamp will be off after 3S delay;

Press the REF-ICE key to turn on the backlight and the refrigerating ice maker; press the REF-ICE key again to turn off the backlight and the refrigerating ice maker. It will take effect after locking;

Note: When the refrigerating ice maker is on, the ice maker will turn over the ice into the ice making chamber if the ice storage box is removed and the ice maker is currently turning over the ice;

### Tips for replacing filter

When the filter is used for more than 150 days and the backlight is always on, or when the filter is used for more than 180 days and the backlight flashes, press WATER-FILTER key for 3s to clear the alarm settings and re-time it.

The buzzer rings for 3 times at the same time.

### Mode setting

Quick cooling mode

Press and hold the refrigeration key for 3s to enter the quick cooling mode. At the same time, the icon of the refrigerating chamber turns blue. The quick cooling mode will take effect after being locked;

At the time of setting the quick cooling mode, the temperature of refrigerating chamber is automatically set at 1°C/34°F;

when the quick cooling mode is exited, the set temperature of the refrigerating chamber automatically returns to the set temperature before the quick cooling mode.

Quick-freezing mode

Press and hold the freezing key to enter the quick cooling mode. At the same time, the icon of the freezing chamber turns blue. The quick cooling mode will take effect after being locked;

At the time of setting the quick cooling mode, the temperature of refrigerating chamber is automatically set at -22°C/-8°F;

when the quick cooling mode is exited, the set temperature of the refrigerating chamber automatically returns to the set temperature before the quick cooling mode.

# 3 STRUCTURE AND FUNCTIONS

## ECO mode

Press ENERGY SAVING key to enter the ECO mode, and the backlight will be on; the quick-freezing mode is cancelled at the same time. The quick freezing is controlled at - 14°C/7°F and refrigerating at 7°C/45°F. Press the ENERGY SAVING key again to exit the ECO mode, the backlight will be off, and the temperature of freezing and refrigerating will return to the set temperature before entering the ECO mode. The mode will take effect after locking;

## Anti-condensation heater strip

The anti-condensation heater strip could be turned on and off via combined button, by pressing “ENERGY SAVING +FREEZER-TEMP” for 3 seconds, the Fahrenheit symbol will blink, it will take effect by pressing the locking key, and the anti-condensation heater strip will be turned off;

When the anti-condensation heater strip is off, by pressing “ENERGY SAVING +FREEZER-TEMP” for 3 seconds, the Fahrenheit symbol will no long blink, it will take effect by pressing the locking key, and the anti-condensation heater strip will be turned on;

The on and off anti-condensation heater strip are for the inspection and maintenance convenience; users shall not easily turn off the anti-condensation heater strip, as it will cause the risk of condensation.

## Fault

When there is a fault, the tube displays the fault code (cycle display after locking), and the buzzer rings the alarm sound; press any key when unlocking or locking, the alarm sound can be released; after the corresponding sensor / ice maker fault is eliminated by maintenance, the tube will clear the corresponding fault status code; When any door is opened for more than 2 minutes, the buzzer will sound an alarm sound; when the door is locked / unlocked, press any key to clear the alarm sound, or close all doors, the alarm sound is released.

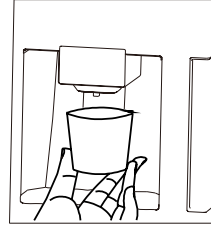
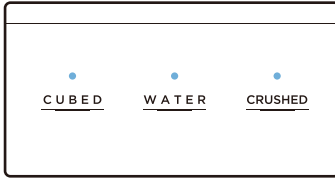
Fault code	Fault name
EH	The humidity sensor fails
F5	Refrigerating ice maker fails to turn over ice
F4	The sensor at the bottom of refrigerating ice maker fails
CC	The defrosting sensor in ice making chamber fails
C9	The sensor in ice making chamber fails
CA	The communication between main control board and ice making board fails
F6	The initialization of refrigerating ice maker fails
E0	The initialization of freezing ice maker fails
E1	The temperature sensor in the refrigerating chamber fails
E2	The temperature sensor in the freezing chamber fails
E3	The sensor of the Flex Drawer fails
E4	Frosting sensor for refrigerating fails
E5	Frosting sensor for freezing fails
E6	The communication between display board and main control board fails
E7	The ambient temperature fails

# 3 STRUCTURE AND FUNCTIONS

## 3.3 Fetching water and Ice

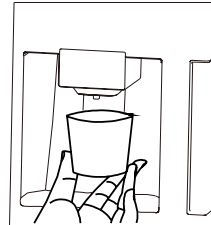
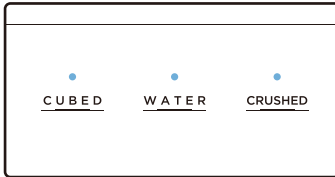
- The ice/water dispenser is located on the outside of refrigerating chamber door. It offers a choice of cubed or crushed ice, or cold water. The dispenser only works when the refrigerating chamber door is closed.

### 1) Fetching cold water



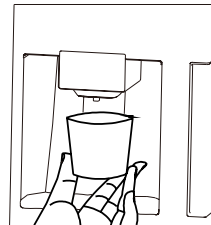
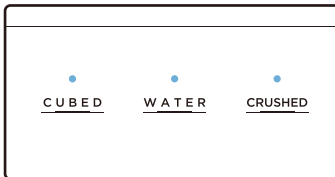
- Keep pressing the buttons WATER until the indicator turns on.
- Push the container in the direction of fetching water cushion, Cold water starts to flow into the container. Remove the container from fetching water cushion and end the exporting of water.

### 2) Fetching crushed ice



- Keep pressing the buttons of CRUSHED until the signal turns up.  
Make the container tight with mouth of water dispenser to prevent the side jet.  
Press the container in the direction of fetching water cushion . Fill the container with crushed ice.  
Remove the container from fetching water cushion and end the exporting of water.

### 3) Fetching ice cubes



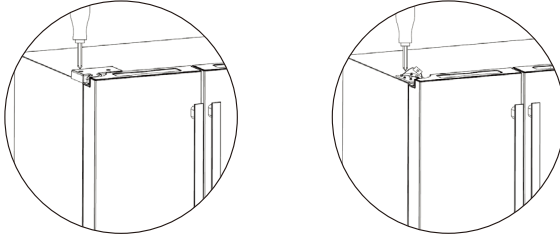
- Keep pressing the buttons CUBED until the signal lights up.  
Push the container in the direction of fetching water cushion.  
Ice cubes start to fall into the container.  
Remove the container from fetching water cushion and end the exporting of ice.

(The picture above is only for reference. The actual configuration will depend on the physical product or statement by the distributor)

# 3 STRUCTURE AND FUNCTIONS

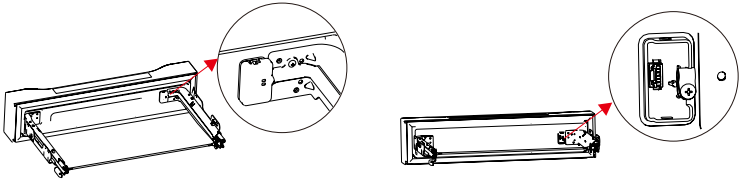
## 3.4 Disassembly of refrigerator door

1. Use screwdriver to remove the 2 pcs screws, and then remove the upper hinge cover of the Left door. See Figure 1.
2. Use the screwdriver to loosen the 3 screws and 1 earth screw fixing the upper hinge, then remove the plug terminal and then remove the Left door body. See Figure 2.
3. For the Right door, there is no earth screw. Follow the rest of the steps for the Left door.
4. For a drawer, first remove the security block for the stopper by hand. See Figure 3.
5. Press the lock buttons of both the left and right glide rails and slowly pull the drawer out. See Figure 3.



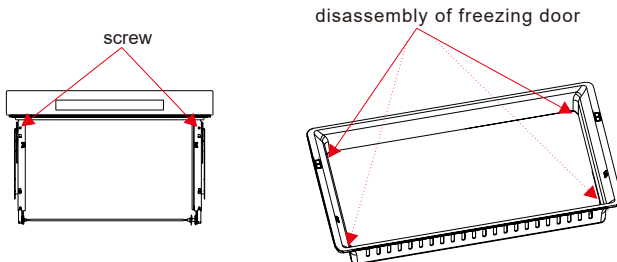
Method for disassembly of variable temperature door:

1. Remove the variable temperature drawer;
2. Pull the variable temperature door to the maximum stroke, demount harness cover with screwdriver or electronic runner for screw fixation, and remove the harness cover;
3. Demount harness with screwdriver or electronic runner for fixation and clamping with screw, and unplug the connecting terminal;
4. Demount the screw on the left and right slideway support with screwdriver or electronic runner, and it is best for one person to hold the door against falling in the process;
5. Lift the door to a certain angle with both hands and pull back, and then the variable temperature door disassembly can be achieved.



Method for disassembly of freezing door:


1. Remove the freezing drawer;
2. Demount the screw on the left and right slideway support with screwdriver or electronic runner, and it is best for one person to hold the door against falling in the process;
3. Lift the door to a certain angle with both hands and pull back, and then the variable temperature door disassembly can be achieved.



## 4. MAINTENANCE AND CARE OF THE REFRIGERATORS

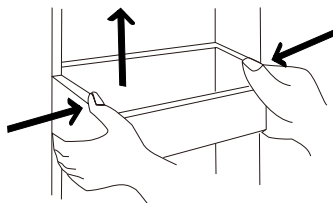
### 4.1 Overall cleaning

- Dusts behind the refrigerator and on the ground shall be timely cleaned to improve the cooling effect and energy saving.
- Check the door gasket regularly to make sure there are no debris. Clean the door gasket with a soft cloth dampened with soapy water or diluted detergent.
- The interior of the refrigerator should be cleaned regularly to avoid odor.
- Please turn off the power before cleaning interior, remove all foods, drinks ,shelves, drawers, etc.
- Use a soft cloth or sponge to clean the inside of the refrigerator, with two tablespoons of baking soda and a quart of warm water. Then rinse with water and wipe clean. After cleaning, open the door and let it dry naturally before turning on the power.
- For areas that are difficult to clean in the refrigerator (such as narrow sandwiches, gaps or corners), it is recommended to wipe them regularly with a soft rag, soft brush, etc. and when necessary, combined with some auxiliary tools (such as thin sticks) to ensure no contaminants or bacterials accumulation in these areas.
- Do not use soap, detergent, scrub powder, spray cleaner, etc., as these may cause odors in the interior of the refrigerator or contaminated food.
- Clean the bottle frame, shelves and drawers with a soft cloth dampened with soapy water or diluted detergent. Dry with a soft cloth or dry naturally.
- Wipe the outer surface of the refrigerator with a soft cloth dampened with soapy water, detergent, etc., and then wipe dry.
- Do not use hard brushes, clean steel balls, wire brushes, abrasives (such as toothpastes), organic solvents (such as alcohol, acetone, banana oil, etc.), boiling water, acid or alkaline items, which may damage the fridge surface and interior. Boiling water and organic solvents such as benzene may deform or damage plastic parts.
- Do not rinse directly with water or other liquids during cleaning to avoid short circuits or affect electrical insulation after immersion.

 Please unplug the refrigerator for defrost and cleaning.



### 4.2 Cleaning of door tray



(The picture above is only for reference. The actual configuration will depend on the physical product or statement by the distributor)

- According to the direction arrow in the figure below, use both hands to squeeze the tray, and push it upward, then you can take it out.
- After washing the tray having been taken out, you can adjust its installing height in accordance with your requirement.

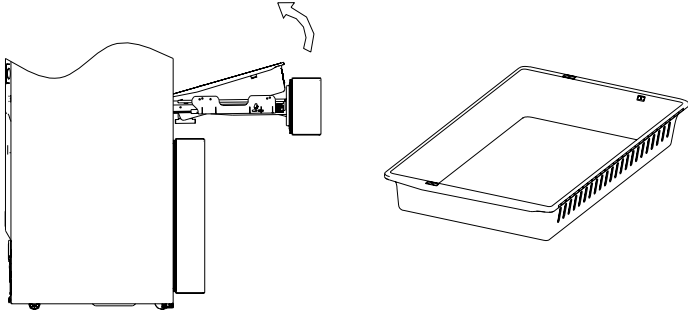


## 4. MAINTENANCE AND CARE OF THE REFRIGERATORS

### 4.3 Cleaning of drawers

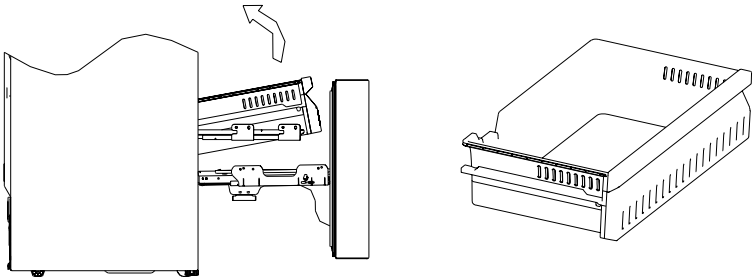
Drawing and stretching variable temperature drawer

Open the variable temperature door to the maximum stroke, hold the left and right sides of the variable temperature drawer with both hands, lift the tail, exert a little force to pull the whole drawer back for about 15mm until the support claw of the slide rail is separated from the drawer, then lift the front end of the drawer at a certain angle, hold the drawer and move horizontally to the inside of the chamber, and then rotate it back and up to remove the drawer.



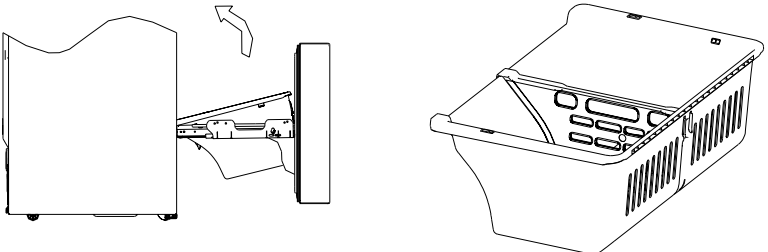
Upper freezer drawer

Open the freezing chamber door to the maximum stroke, lift the tail of the upper drawer of the freezing chamber, pull the slide rail so that it can not jump, push the drawer forward to separate the drawer from the support claw of the slide rail. Separate the drawer on the side from the support claw of the slide rail with the same method. Rotate the drawer it back and up to remove it after the slide rail support is separated from the drawer.



Upper freezer drawer

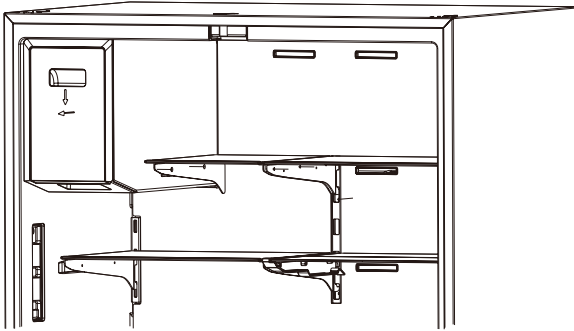
Open the freezing chamber door to the maximum stroke, hold the left and right sides of the lower drawer of the freezing chamber, lift the tail of the drawer to pull the whole drawer about 15mm to the external side of the chamber until the sliding rail support claw is separated from the drawer, and rotate the drawer back and up to take it out.



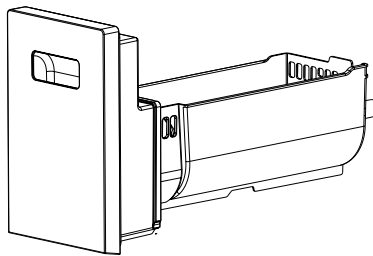
## 4. MAINTENANCE AND CARE OF THE REFRIGERATORS

### 4.4 Cleaning of ice storage box

When you need to use a lot of ice, or take ice abnormally, or need to clean the ice storage box, you can take out the ice storage box, but please put it back in time.



1. Hold the button of the ice storage box with your hand, press it gently, and then pull it out horizontally;



2. Push the ice storage box in slightly after cleaning.

Note: Please remove the ice in time which falls in the ice making chamber during pulling out.

## 4. MAINTENANCE AND CARE OF THE REFRIGERATORS

### 4.5 Defrosting

- The refrigerator is made based on the air-cooling principle and thus has automatic defrosting function. Frost formed due to change of season or temperature may also be manually removed by disconnection of the appliance from power supply or by wiping with a dry towel.

### 4.6 Out of operation

- Power failure: In case of power failure, even if it is in summer, foods inside the appliance can be kept for several hours; during the power failure, the times of door opening shall be reduced, and no more fresh food shall be put into the appliance.
- Long-time nonuse: The appliance shall be unplugged and then cleaned; then the doors are left open to prevent odor.
- Moving: Before the refrigerator is moved, take all objects inside out, fix the glass partitions, vegetable holder, freezing chamber drawers and etc. with tape, and tighten the levelling feet; close the doors and fix them with tape. During moving, the appliance shall not be laid upside down or horizontally, or be vibrated; the inclination during movement shall be no more than 45°.

## 5 TROUBLE SHOOTING

5•1 You may try to solve the following simple problems by yourself.  
If them cannot be solved, please contact the after-sales department.

Failed operation	<p>Check whether the appliance is connected to power or whether the plug is in well contact</p> <p>Check whether the voltage is too low</p> <p>Check whether there is a power failure or partial circuits have tripped</p>
Odor	<p>Odorous foods shall be tightly wrapped</p> <p>Check whether there is any rotten food</p> <p>Clean the inside of the refrigerator</p>
Long-time operation of the compressor	<p>Long operation of the refrigerator is normal in summer when the ambient temperature is high</p> <p>It is not suggestible having too much food in the appliance at the same time</p> <p>Food shall get cool before being put into the appliance</p> <p>The doors are opened too frequently</p>
Light fails to get lit	<p>Check whether the refrigerator is connected to power supply and whether the illuminating light is damaged</p> <p>Have the light replaced by a specialist</p>
Doors cannot be properly closed	<p>The door is stuck by food packages</p> <p>Too much food is placed</p> <p>The refrigerator is tilted</p>
Loud noise	<p>Check whether the floor is level and whether the refrigerator is placed stably</p> <p>Check whether accessories are placed at proper locations</p>
Door seal fails to be tight	<p>Remove foreign matters on the door seal</p> <p>Heat the door seal and then cool it for restoration (or blow it with an electrical drier or use a hot towel for heating)</p>
Water pan overflows	<p>There is too much food in the chamber or food stored contains too much water, resulting in heavy defrosting</p> <p>The doors are not closed properly, resulting in frosting due to entry of air and increased water due to defrosting</p>
Hot housing	<p>Heat dissipation of the built-in condenser via the housing, which is normal</p> <p>When housing becomes hot due to high ambient temperature, storage of too much food or shutdown of the compressor is shut down, provide sound ventilation to facilitate heat dissipation</p>
Surface condensation	<p>Condensation on the exterior surface and door seals of the refrigerator is normal when the ambient humidity is too high. Just wipe the condensate with a clean towel.</p>
Abnormal noise	<p>Buzz: The compressor may produce buzzes during operation, and the buzzes are loud particularly upon start or stop. This is normal.</p> <p>Creak: Refrigerant flowing inside of the appliance may produce creak, which is normal.</p>

# 5 TROUBLE SHOOTING

<p>Ice maker does not make ice</p>	<p>After you install the water line and start the refrigerator, it takes 12 hours to start ice making Please turn on the ice making function (see the UI instructions) Check whether the water pressure meets 30-100psi and whether the water line is connected normally, Check whether the water supply valve is open and whether the water pipe is bent Check whether the ice storage box is installed,</p>
<p>No ice is drained out</p>	<p>Check whether there is ice in the ice storage box. Check whether the ice melts and adheres. If the ice is not used for a long time, please empty the ice storage box and turn off the ice maker. Check whether the water line is connected normally, whether the water supply valve is opened, and whether the water pipe is bent. The ice discharging function can only be used when the refrigerating chamber door is closed. Check whether the ice storage box is installed. Check whether the ice storage box is installed,</p>
<p>No water is discharged out</p>	<p>Check whether the water line is connected normally, whether the water supply valve is opened, and whether the water pipe is bent. The filter or dustproof plug must be installed before water can be discharged. Check whether the filter or dustproof plug is installed in place.</p>
<p>The speed of draining water out is slow</p>	<p>Check whether the water pressure meets 30-100psi Please replace the filter</p>
<p>Water drips from the water dispenser</p>	<p>It is normal that a few drops of water drips from the water dispenser. However, if water keeps dripping, please check the connection of the water line.</p>
<p>The water tastes bad</p>	<p>If the refrigerator is not used for more than four days, drain at least one gallon of water Replace the filter in time.</p>

## 6 WARRANTY

---



### Warranty & Service

This product has been manufactured by Thor Group, 4651 E Airport Dr, Ontario, CA 91761

---

**For Customer Service, please call (877) 288 - 8099**

**For the most up to date warranty and service policy, please refer to our website  
[WWW.THORKITCHEN.COM/WARRANTY-REGISTRATION](http://WWW.THORKITCHEN.COM/WARRANTY-REGISTRATION)**

**For in-warranty service requests, please visit our website at  
[WWW.THORKITCHEN.COM/SERVICE](http://WWW.THORKITCHEN.COM/SERVICE)**

**Please Note: You must provide proof of purchase or installation date for any in-warranty service requests**

# WELCOME TO THE CLUB

You chose THOR Kitchen to enhance your culinary journey and we're stoked to have you in the club. Think of it as a secret society of really savvy people, such as yourself, choosing professional power and performance at an affordable price.



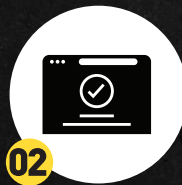
Register your product by following the steps below.

## WARRANTY REGISTRATION



01

Scan the QR code or visit  
[thorkitchen.com/warranty](https://thorkitchen.com/warranty)



02

Input your product info  
and select register



03

You're done.  
Let's get cookin'.



For additional information and product support, visit [thorkitchen.com/service](https://thorkitchen.com/service)