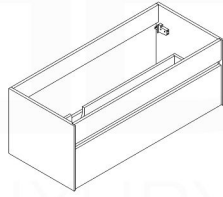


FITTO S1200S

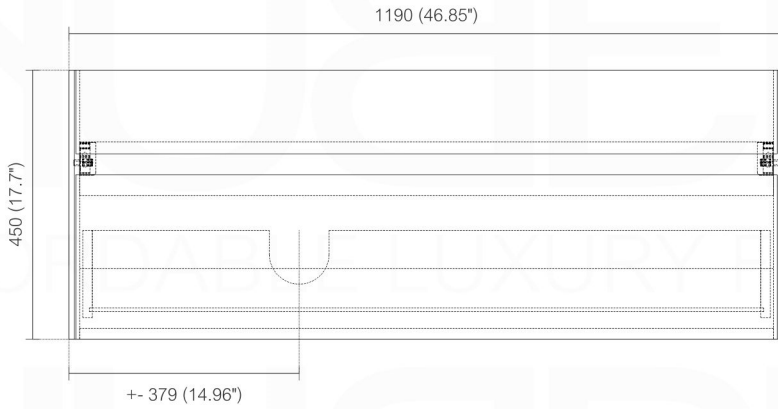
Sink: S1200SSINK



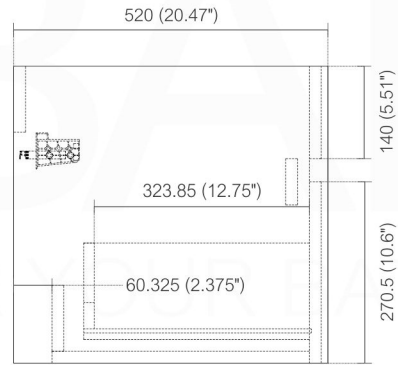
Dimensions:	width	depth	height
inches	47.2"	21.05"	18.09"
mm	1200	535	460

NOTE: DIMENSIONS AND TECHNICAL DETAILS ARE SUBJECT TO CHANGE WITHOUT NOTICE

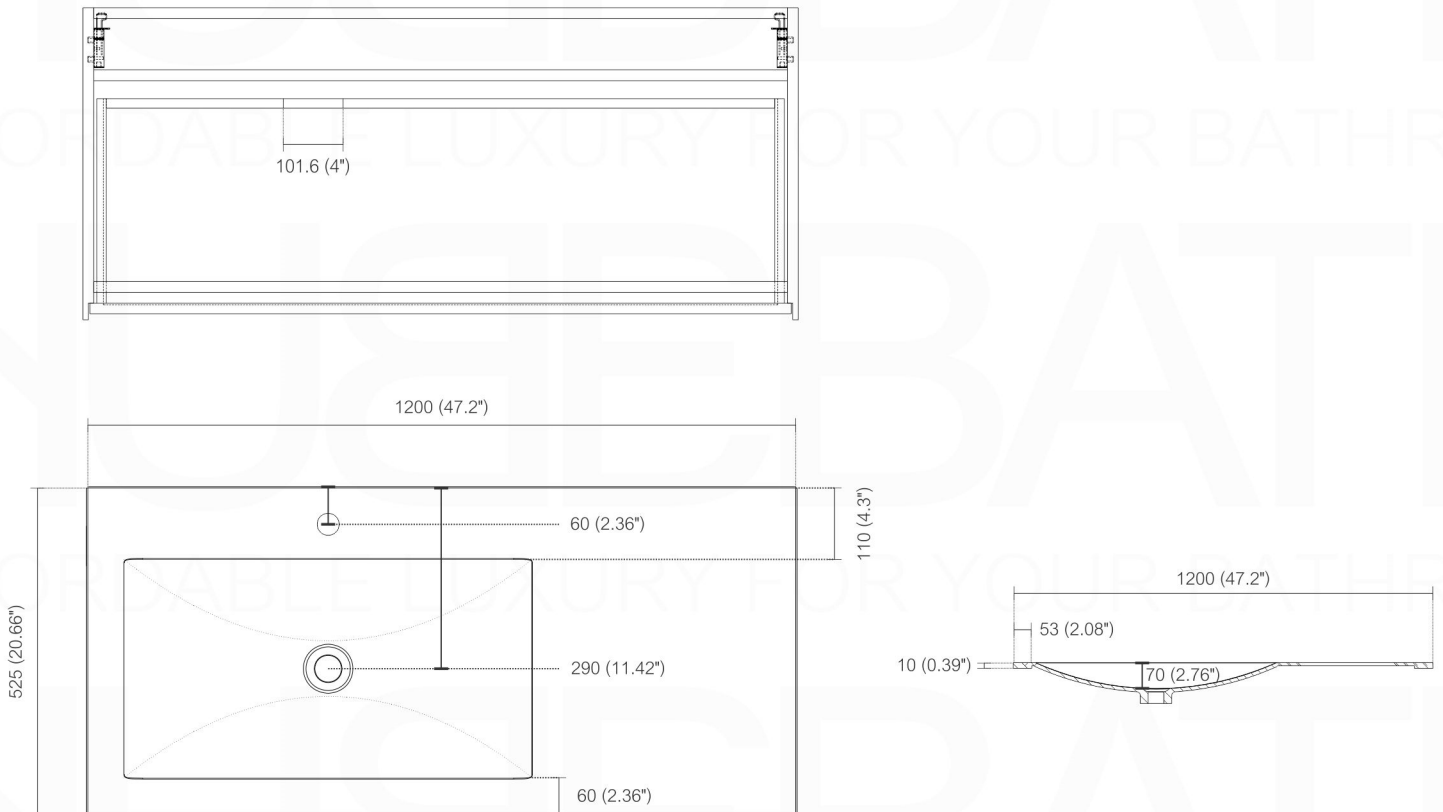
. FRONT ELEVATION



. SIDE ELEVATION

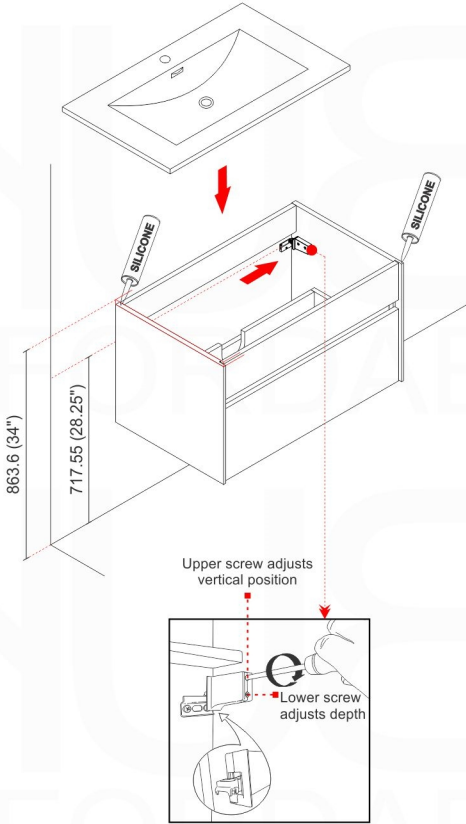


. TOP ELEVATION



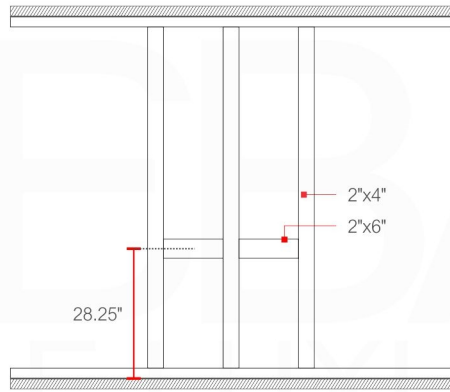
How to Install a Fitto Vanity | Remove / Install Drawers | Adjust Doors

INSTALLATION GUIDE



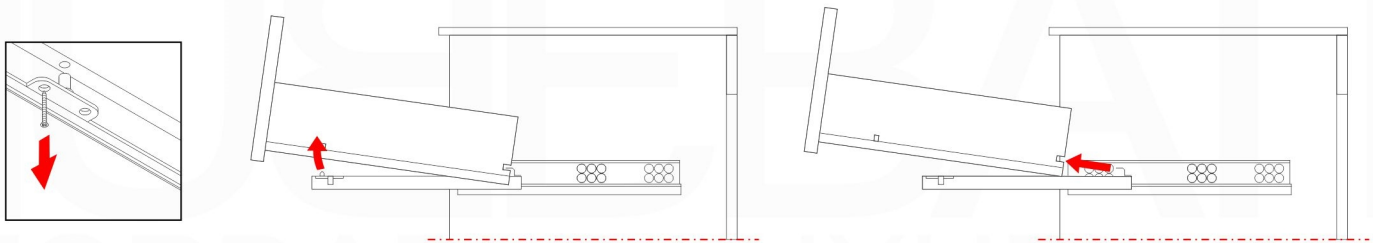
1. Determine your vanity placement and mark the area on the wall where it will be installed.
2. Install 2"x6" lumber between the wall studs, behind the drywall. Suggested distance from finished floor will be 28.25" to the center of the floor if the desired finished height of the Vanity is 34" from the floor to the top of the finished countertop.
3. If your vanity cabinet has a solid back, mark and drill holes to accommodate drain pipes and supply pipes as necessary.
4. Mark the location of each of the wall mounting plates ensuring that they are positioned inside the sidewalls of the vanity unit.
5. Place the vanity in the installation location. Verify that the vanity cabinet is level.
6. Install the integral sink/vanity top by applying a dot of silicone sealant on the corners of the vanity. Position the vanity top onto the vanity and press firmly into place. Wipe away any excess sealant with a damp cloth.

Note: We recommend consulting professional help if you are unfamiliar with installing bathroom vanities and/or plumbing.

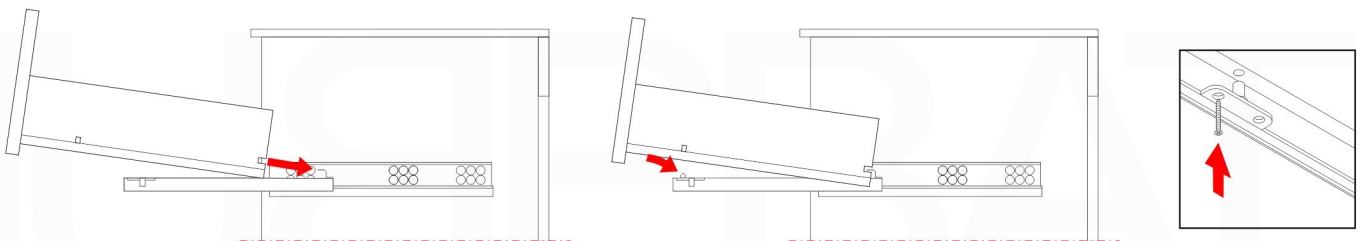


REMOVE DRAWERS

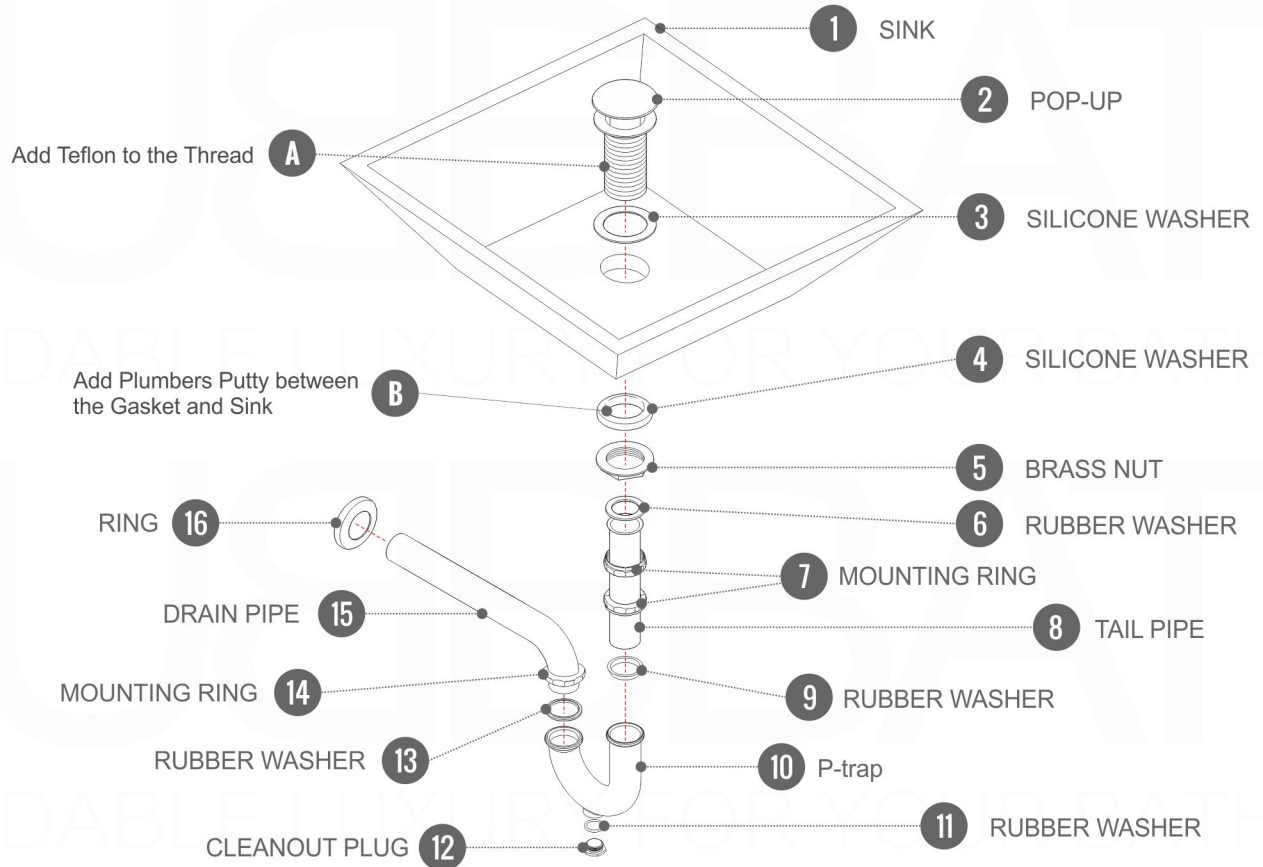
(Locate the screws on the bottom of the drawer)



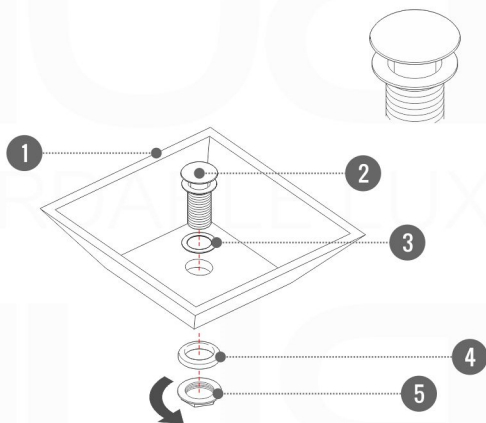
INSTALL DRAWERS



Pop-Up / P-trap Installation Instructions INSTALLATION GUIDE



FOR SINKS WITHOUT OVERFLOW
#SKU: P101N / P102N



OR

FOR SINKS WITHOUT OVERFLOW
#SKU: P101 / P102

