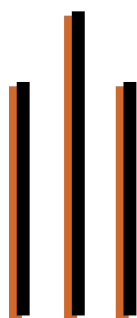


ZLINE



Microwave Oven

Installation Guide
and Users Manual

PRECAUTIONS

- Do not attempt to operate this oven with the door open since open-door operation can result in harmful exposure to microwave energy. It is important not to defeat or tamper with the safety interlocks.
- Do not place any object between the oven front face and the door or allows soil or cleaner residue to accumulate on sealing surfaces.
- Do not operate the oven if it is damaged. It is particularly important that the oven door close properly and that there is no damage to the:
 - Door (bent)
 - Hinges and Latches (broken or loosened)
 - Door seals and sealing surfaces
- The oven should not be adjusted or repaired by anyone except properly qualified service personnel.



WARNING

SPECIFICATIONS

Model:	EM034DW1
Rated Voltage:	120V - 60Hz
Rated Input Power:	1500W
Rated Output Power:	1000W
Oven Capacity:	1.2 Cu. Ft.
External Dimensions:	23.6" w x 14.0" h x 25.2" d
Net Weight:	Approx 70.5 lbs

The maximum weight of food placed in the microwave should not exceed 11lbs and the height should not exceed 5.7"

IMPORTANT SAFETY INSTRUCTIONS



When using electrical appliances basic safety precautions should be followed, including the following:

- To reduce the risk of burns, electric shock, fire, injury to persons or exposure to excessive microwave energy read all instructions before using the appliance.
- This appliance must be grounded or connected to a properly grounded outlet. Install this appliance only in accordance with the provided installation instructions.
- Some products such as whole eggs and sealed containers (i.e. closed glass jars) should not be heated in this oven.
- Use this appliance only for its intended use as described in the manual. Do not use corrosive chemicals or vapors in this appliance. This type of oven is specifically designed to heat, cook, or dry food.
- As with any appliance, close supervision is necessary when used by children.
- Do not operate this appliance if it has a damaged cord or plug, if it is not working properly, or if the entire unit has been damaged.
- This appliance should be serviced only by qualified service personnel.
- Do not cover or block any openings on the appliance.
- Do not store this appliance outdoors. Do not use this product near water - for example, near a kitchen sink, in a wet basement, near a swimming pool, or similar location.
- Do not immerse cord or plug in water.
- Keep cord away from heated surface.
- Do not let cord hang over edge of table or counter.
- When cleaning surfaces of door and oven that comes together on closing the door, use only mild, nonabrasive soaps, or detergents applied with a sponge or soft cloth.
- To reduce the risk of fire in the oven cavity:
 - Do not overcook food. Carefully attend appliance when paper, plastic, or other combustible materials are placed inside the oven to facilitate cooking.
 - Remove wire twist-ties from paper or plastic bag before placing bag in oven.
 - If material inside of the oven ignite, keep oven door closed, turn oven off, and disconnect the power cord, or shut off power at the fuse or circuit breaker panel.
 - Do not use the cavity for storage purposes. Do not leave paper products, cooking utensils, or food in the cavity when not in use.
- Liquids, such as water, coffee, or tea are able to be overheated beyond the boiling point without appearing to be boiling.

SAFETY INSTRUCTIONS CONTINUED



WARNING

Visible bubbling or boiling when the container is removed from the microwave oven is not always present. This could result in very hot liquid suddenly boiling over when the container is disturbed.

- To reduce the risk of injury to persons:
 - Do not overheat liquid.
 - Stir the liquid before and halfway through heating it.
 - Do not use straight sided containers with narrow necks.
 - After heating, allow the container to stand in the microwave oven for a short time before removing the container.
 - Use extreme care when inserting a spoon or other utensils into the container.
- Oversized food or oversized metal utensils should not be inserted in a microwave oven as they may create a fire or risk of electric shock.
- Do not clean with metal scouring pads. Pieces can burn off the pad and touch electrical parts involving a risk of electric shock.
- Do not use paper products when appliance is operated in the toaster mode.
- Do not store any materials, other than manufacturer's recommended accessories, in this oven when not in use.
- Do not cover racks or any other part of the oven with metal foil. This will cause overheating of the oven.

GROUNDING INSTRUCTIONS

- This appliance must be grounded. In the event of an electrical short circuit, grounding reduces the risk of electric shock by providing an escape wire for the electric current. This appliance is equipped with a cord having a grounding wire with a grounding plug. The plug must be plugged into an outlet that is properly installed and grounded.



WARNING:

Improper use of the grounding can result in a risk of electric shock.

- Consult a qualified electrician or serviceman if the grounding instructions are not completely understood, or if doubt exists as to whether the appliance is properly grounded. If it is necessary to use an extension cord, use only a 3-wire extension cord that has a 3-blade grounded plug, and 3-slot receptacle that will accept the plug on the appliance. The marked rating of the extension cord shall be equal to or greater than the electrical rating of the appliance.



DANGER:

Electric Shock Hazard

- Touching some of the internal components can cause serious personal injury or death. Do not disassemble this appliance. Improper use of the grounding can result in electric shock. Do not plug into an outlet until appliance is properly installed and grounded.
- A short power-supply cord is provided to reduce the risks resulting from becoming entangled in or tripping over a longer cord.
- Longer cord sets or extension cords are available and may be used if care is exercised in their use.
- If a long cord or extension cord is used:
 - The marked electrical rating of the cord set or extension cord should be at least as great as the electrical rating of the appliance.
 - The extension cord must be a grounding-type 3-wire cord.
 - The longer cord should be arranged so that it will not drape over the counter top or tabletop where it can be pulled on by children or tripped over unintentionally.

RADIO INTERFERENCE

- Operation of the microwave oven may cause interference to your radio, TV, or similar equipment.
- When there is interference, it may be reduced or eliminated by taking the following measures:
 - Clean door and sealing surface of the oven.
 - Reorient the receiving antenna of radio or television.
 - Relocate the microwave oven with respect to the receiver.
 - Move the microwave oven away from the receiver.
 - Plug the microwave oven into a different outlet so that microwave oven and receiver are on different branch circuits.

UTENSILS



CAUTION:
Personal Injury Hazard

- Tightly-closed utensils could explode. Closed containers should be opened and plastic pouches should be pierced before cooking.
- See the instructions on "Materials you can use in microwave oven or to be avoided in microwave oven."
- There may be certain non-metallic utensils that are not safe to use for microwaving. If in doubt, you can test the utensil in question following the procedure below.

Utensil Test:

- Fill a microwave-safe container with 1 cup of cold water (250ml) along with the utensil in question.
- Cook on maximum power for 1 minute.
- Carefully feel the utensil. If the empty utensil is warm, do not use it for microwave cooking.
- Do not exceed 1 minute cooking time.

MATERIALS YOU CAN USE IN MICROWAVE

Utensils	Usage
Browning dish	Follow manufacturer* instructions. The bottom of browning dish must be at least 3/16 inch (5mm) above the turntable. Incorrect usage may cause the turntable to break.
Dinnerware	Microwave-safe only. Follow manufacturer's instructions. Do not use cracked or chipped dishes.
Glass jars	Always remove lid. Use only to heat food until just warm. Most glass jars are not heat resistant and may break.
Glassware	Heat-resistant oven glassware only. Make sure there is no metallic trim. Do not use cracked or chipped dishes.
Oven cooking bags	Follow manufacturer instructions. Do not close with metal tie. Make slits to allow steam to escape.
Paper plates and cups	Use for short term cooking/warming only. Do not leave oven unattended while cooking.
Paper towels	Use to cover food for reheating and absorbing fat. Use with supervision for a short-term cooking only.
Parchment & wax paper	Use as a cover to prevent splattering or a wrap for steaming.
Plastic	Microwave-safe only. Follow the manufacturer* instructions. Should be labeled "Microwave Safe". Some plastic containers soften, as the food inside gets hot. "Boiling bags" and tightly closed plastic bags should be slit, pierced or vented as directed by package.
Plastic wrap	Microwave-safe only. Use to cover food during cooking to retain moisture. Do not allow plastic wrap to touch food.
Thermometers	Microwave-safe only (meat and candy thermometers)

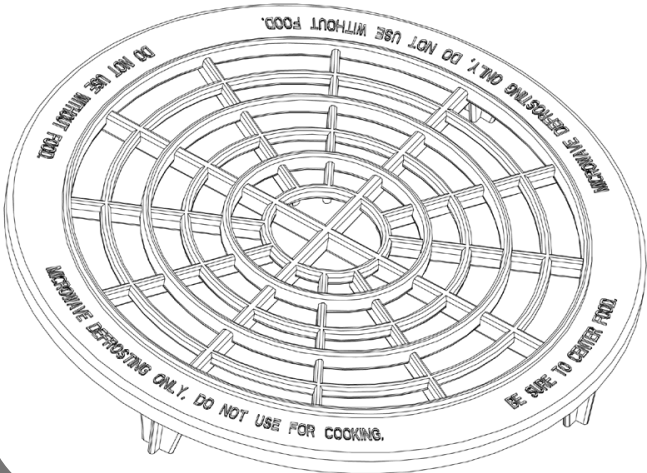
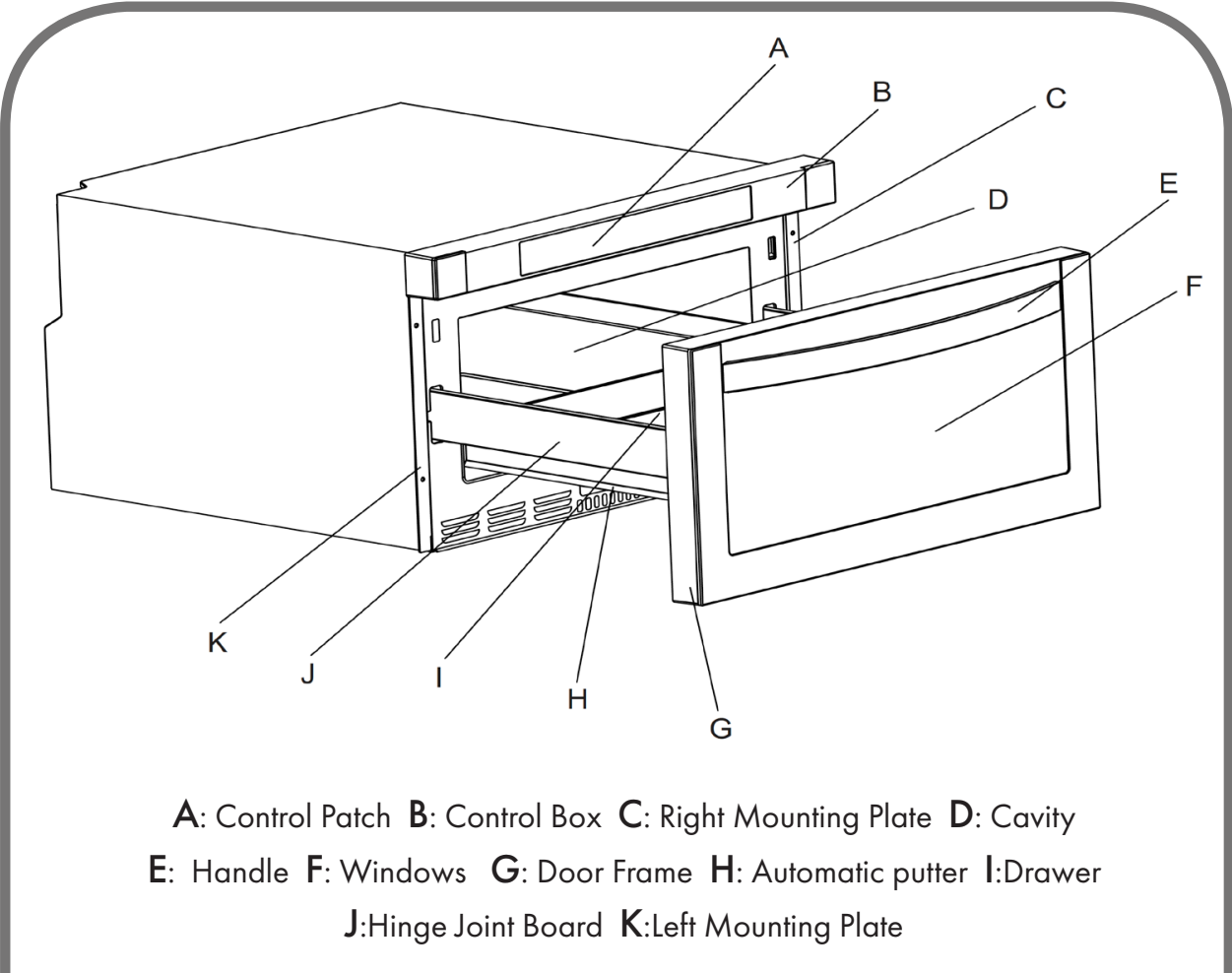


Do NOT use:

aluminum, metal or metal trimmed utensils, metal twist ties, paper bags, plastic foam, wood, stainless steel mugs, or frozen meat

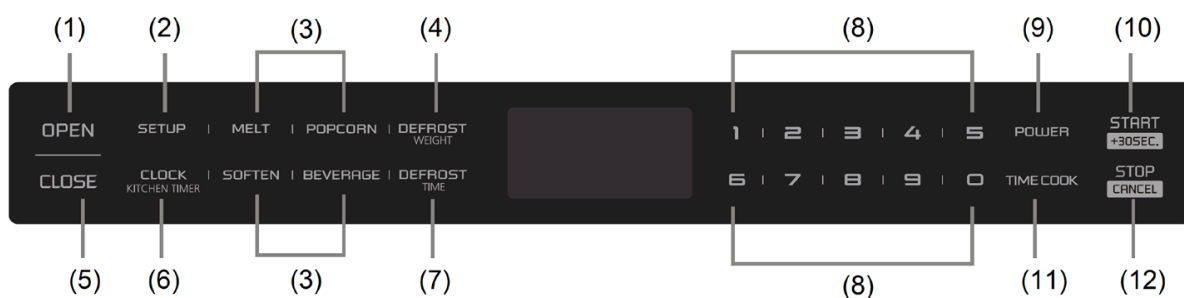
SETTING UP YOUR OVEN

Remove the oven and all materials from the carton and oven cavity. Your oven comes with the following accessories:



Note:
 Defrosting Rack should only be used in defrosting function and not used for cooking. Do not use without food.

OPERATION



- 1) Open 2) Setup 3) Auto Menu 4) Defrost Weight 5) Close
6) Clock/Kitchen Timer 7) Defrost Time 8) Number Keys 9) Power 10) Start/+30sec.
11) Time Cook 12) Stop/Cancel

Power on:

- When the microwave oven is plugged into an outlet, buzzer sounds once. Screen displays "WELCOME". Then the oven turns into waiting state. The screen displays "00:00".
- In waiting state, the screen will display the current time if the clock has been set. Otherwise, "00:00" will display.
- Press "OPEN" button to open the drawer, and screen displays "OPEN". The screen will display "PLEASE CLOSE" when the drawer is fully opened. Press "CLOSE" button to close the drawer, and the screen displays "CLOSE". The screen will display the current time or "00:00" when the drawer is fully closed. If there are mistakes to open or close the drawer, buzzer will sound five times, and the screen will display "OPEN OR CLOSE".

Clock Setting:

- Press "CLOCK/KITCHEN TIMER" button once. The first hour figure will flash and other "0" will light.
- Press the number buttons to enter the correct time. The input should be between 01:00-12:59.
- Press "CLOCK/KITCHEN TIMER" to finish the setting. ":" will flash.

Note: In the process of clock setting, if the "STOP/CANCEL" button is pressed or if there is no operation within 1 minute, the oven will go back to former setting automatically.

OPERATION

Kitchen Timer:

- Press "CLOCK/KITCHEN TIMER" button twice, Screen will display 00:00. "FUNCTION" will light.
- Press the number buttons to enter the time. The maximum cooking time is 99 minutes 99 seconds.
- Press "START/+30SEC." to confirm the setting. . The time begins to count down.
- When the kitchen time arrives, buzzer will ring 5 times. The oven turns into waiting state. Screen will display the current time if the clock has been set. Otherwise, Screen will display "00:00".

The kitchen timer differs from a 12-hour system. Kitchen Timer is a timer. In the process of Kitchen Timer operation, any cooking programme cannot be operated. "STOP/CANCEL" can be pressed to cancel the Kitchen Timer.

Microwave Cooking Funtion:

- 11 power levels are available:

Level	10	9	8	7	6	5	4	3	2	1	0
Power	100%	90%	80%	70%	60%	50%	40%	30%	20%	10%	0%
Display	PL100	PL90	PL80	PL70	PL60	PL50	PL40	PL30	PL20	PL10	PL00

- Press "TIME COOK" button, Screen will display "00:00". "FUNCTION" will light. Press number buttons to input the cooking time. The maximum cooking time is 99 minutes 99 seconds.
- Press "POWER" button to set the power. The default power level is "PL100". Press number buttons to select different power levels.
- Press "START/+30SEC." to start cooking. Buzzer sounds once. The cooking time begins to count down. When cooking finished, buzzer sounds five times and "FINISH" displays.

Note: In the process of setting, if the "STOP/CANCEL" button is pressed or if there is no operation within 1 minute, the oven will go back to the former setting automatically.

OPERATION

Microwave Cooking Function:

- In waiting state, instant cooking at 100% power level with 30 seconds cooking time can be started by pressing "START/+30SEC". Each press on the same button will increase cooking time by 30 seconds.
- During microwave and defrost by time, "START/+30SEC." can be pressed to increase cooking time. Each press will increase 30 seconds.
Note: "START/+30SEC." cannot be pressed to increase cooking time for defrost by weight and Auto menu cooking.


Weight Defrost Function:

- Press "DEFROST WEIGHT" button. Screen displays "WEIGHT DEFROST". And "FUNCTION" will light.
- Press number buttons to input the weight to be defrosted.
The input weight should be between 0.1-6.0 lbs.
- Press "START/+30SEC." to start defrosting. Buzzer sounds once. The defrosting time begins to count down. When cooking finished, buzzer sounds five times and "FINISH" displays.

Time Defrost Function:

- Press "DEFROST TIME" button. Screen displays "TIME DEFROST". And "FUNCTION" will light.
- Press number buttons to enter the defrosting time between 00:01-99:99.
- Press "START/+30SEC." to start defrosting. Buzzer sounds once. The defrosting time begins to count down. When cooking finished, buzzer sounds five times and "FINISH" displays.
Note: The defrosting power level is PL30.

Auto Menu-Beverage:

- Press "BEVERAGE" button. Screen displays "1". "AUTO MENU" and " " indicators will light. Continue to press "BEVERAGE" button, "1" or "2" will display in order.
- Press "START/+30SEC." to start cooking. Buzzer sounds once. The cooking time begins to count down. When cooking finished, buzzer sounds five times and "FINISH" displays.

Auto Menu-Popcorn:

- Press "POPCORN" button. Screen displays "1.75". "AUTO MENU" and "OZ" indicators will light.
- Continue to press "POPCORN" button, "1.75", "3" or "3.5" will display in order.
- Press "START/+30SEC." to start cooking. Buzzer sounds once. "OZ" will go out. The cooking time begins to count down. When cooking finished, buzzer sounds five times and "FINISH" displays.

Auto Menu-Melt:

- Press "MELT" button. Screen displays "BUTTER". "AUTO MENU" indicator will light.
- Continue to press "MELT" button, "BUTTER", "CHOCOLA", "CHEESE" or "MARSHMA" will display in order.
- Press "START/+30SEC." to confirm the selection.
- Press "MELT" button to select the weight. "OZ" will light except butter menu.
- Press "START/+30SEC." to start cooking. Buzzer sounds once. "OZ" will go out. The cooking time begins to count down. When cooking finished, buzzer sounds five times and "FINISH" displays.

Menu	Display	Weight
Butter/Margarine	BUTTER	1
		2
		3
Chocolate	CHOCOLA	4
		8
Cheese	CHEESE	8
		16
Marshmallows	MARSHMA	5
		10

OPERATION

Auto Menu-Melt:

- Press "MELT" button. Screen displays "BUTTER". "AUTO MENU" indicator will light.
- Continue to press "MELT" button, "BUTTER", "CHOCOLA", "CHEESE" or "MARSHMA" will display in order.
- Press "START/+30SEC." to confirm the selection.
- Press "MELT" button to select the weight. "OZ" will light except butter menu.
- Press "START/+30SEC." to start cooking. Buzzer sounds once. "OZ" will go out. The cooking time begins to count down. When cooking finished, buzzer sounds five times and "FINISH" displays.

Menu	Display	Weight
Butter	BUTTER	1
		2
		3
Ice cream/ Frozen juice	ICE-CRE	8
		16
		32
Cream Cheese	CHEESE	3
		8

Buzzer On/Off:

- Press "SETUP" button. Screen displays "BUZ OFF".
- Press "START/+30SEC." button. The oven will turn to waiting state. Buzzer is turned off. No beep will sound.
- Press "SETUP" button. Screen displays "BUZ ON".
- Press "START/+30SEC." button. The oven will turn to waiting state. Buzzer is turned on. Buzzer will sound normally.

Lock Function for Children:

- Lock: In waiting state, press "STOP/CANCEL" for 3 seconds, the oven will enter into the children-lock state. Screen will display the current time if the clock has been set. Otherwise, "00:00" will display.
- Lock quitting: In locked state, press "STOP/CANCEL" for 3 seconds to release the lock.

Inquiring Function:

- (1) In cooking state, press "CLOCK/KITCHEN TIMER " button to check the clock. The current time will display for 3 seconds.
- (2) In the microwave cooking state, press "POWER" button to inquire the microwave power. The current microwave power will display for 3 seconds.

Other Specifications:

- The buzzer sounds once by efficient press, inefficient press will be no response.
- In cooking state, "OPEN" cannot be pressed to open the drawer unless "STOP/CANCEL" button is pressed to pause the cooking. Press "CLOSE" button to close the drawer. Then "START/+30SEC." button must be pressed to continue cooking.
- If the cooking programme has been set , "START/+30SEC." is not pressed in 1 minute, The current time will be displayed. The setting will be cancelled.
- If the oven door is open, the lamp will light until the oven is powered off.

TROUBLESHOOTING

Check your problem by using the chart below and try the solutions for each problem. If the microwave oven still does not work properly, contact the nearest authorized service center.

Trouble	Possible Cause	Possible Remedy
Oven won't start	Electrical cord is unplugged. Door is open. Wrong operation is set.	Plug into the outlet. Close the door and retry. Check instructions.
Arcing or sparking	Materials to be avoided in microwave oven were used. The oven is operated when empty. Spilled food remains in cavity.	Use microwave-safe cookware only. Do not operate with oven empty. Clean cavity with wet towel.
Unevenly cooked food	Materials to be avoided in microwave oven were used. Food is not defrosted completely. Cooking time, power level is not suitable. Food is not turned or stirred.	Use microwave-safe cookware only. Completely defrost food. Use correct cooking time, power level. Turn or stir food.
Overcooked foods	Cooking time and/or power level is not suitable.	Use correct cooking time and/or power level.
Undercooked food	Materials to be avoided in microwave were used. Oven ventilation ports are restricted. Cooking time and/or power level is not suitable. Food is not turned or stirred.	Use correct cooking time and/or power level. Check to see that oven ventilation ports are not restricted. Use correct cooking time and/or power level. Turn or stir food.



ZLINE

Microwave Drawer INSTALLATION MANUAL

SPECIAL WARNING

INSTALLATION AND SERVICE MUST BE PERFORMED BY A QUALIFIED INSTALLER. IMPORTANT: save this installation manual for local electrical inspector's use.

READ AND SAVE THESE INSTRUCTIONS FOR FUTURE REFERENCE.

CLEARANCES AND DIMENSIONS

For SAFETY CONSIDERATIONS do not install drawer in any combustible cabinetry, which is not in accordance with the stated clearances and dimensions on pages 2 and 3. See Figure 1.

UNPACKING YOUR MICROWAVE DRAWER

Remove all packing materials from inside the microwave drawer. DO NOT REMOVE THE WAVEGUIDE COVER, located on the top of the Microwave Drawer. Remove the feature sticker, if there is one.

Check the drawer for any damage, such as misaligned or bent drawer, damaged drawer seals & sealing surfaces, broken or loose drawer guides, and dents inside the cavity or on the front side of the drawer. If there is any damage, do not operate the Microwave Drawer and contact your dealer or the manufacturer.

IMPORTANT NOTES TO THE INSTALLER

Read the entire Installation Manual before installing the Microwave Drawer. Remove all packing materials before connecting the electrical supply. Observe all governing codes and ordinances. Be sure to leave these instructions with the consumer.

IMPORTANT NOTES TO THE CONSUMER

Keep this manual with your Operation Manual for future reference. With use of any heat generating microwave oven, there are certain safety precautions you should follow. These are listed in the Operation Manual. Read all and follow carefully. Be sure your Microwave Drawer is installed and grounded properly by a qualified installer or service technician.

IMPORTANT SAFETY INSTRUCTIONS

WARNING!

Fire or electrical shock resulting in property damage, personal injury or death may occur if the information in this manual is not followed exactly. To reduce the risk of tipping, the Microwave Drawer must be secured with a properly installed Anti-Tip block. This Microwave Drawer must be electrically grounded in accordance with local codes. Make sure any wall coverings and/or cabinets around the Microwave Drawer can withstand the heat generated by the Microwave Drawer. **Never leave children alone or unattended in the area where a Microwave Drawer is in use.** Never leave the drawer open when the microwave is unattended. Stepping, leaning or sitting on the drawer may result in serious injuries and may also cause damage to the Microwave Drawer. Do not use the Microwave Drawer as a storage space.

CLEARANCES & DIMENSIONS

Dimensions shown in **Figure 1** must be used. Given dimensions provide minimum clearance. Locate electrical outlet in the shaded area in the upper left-hand corner of the cutout (also see **Figure 3**) Contact surface must be solid and level. The floor of the opening should be constructed of plywood strong enough to support the weight of the oven.

MICROWAVE DRAWER MEASUREMENTS

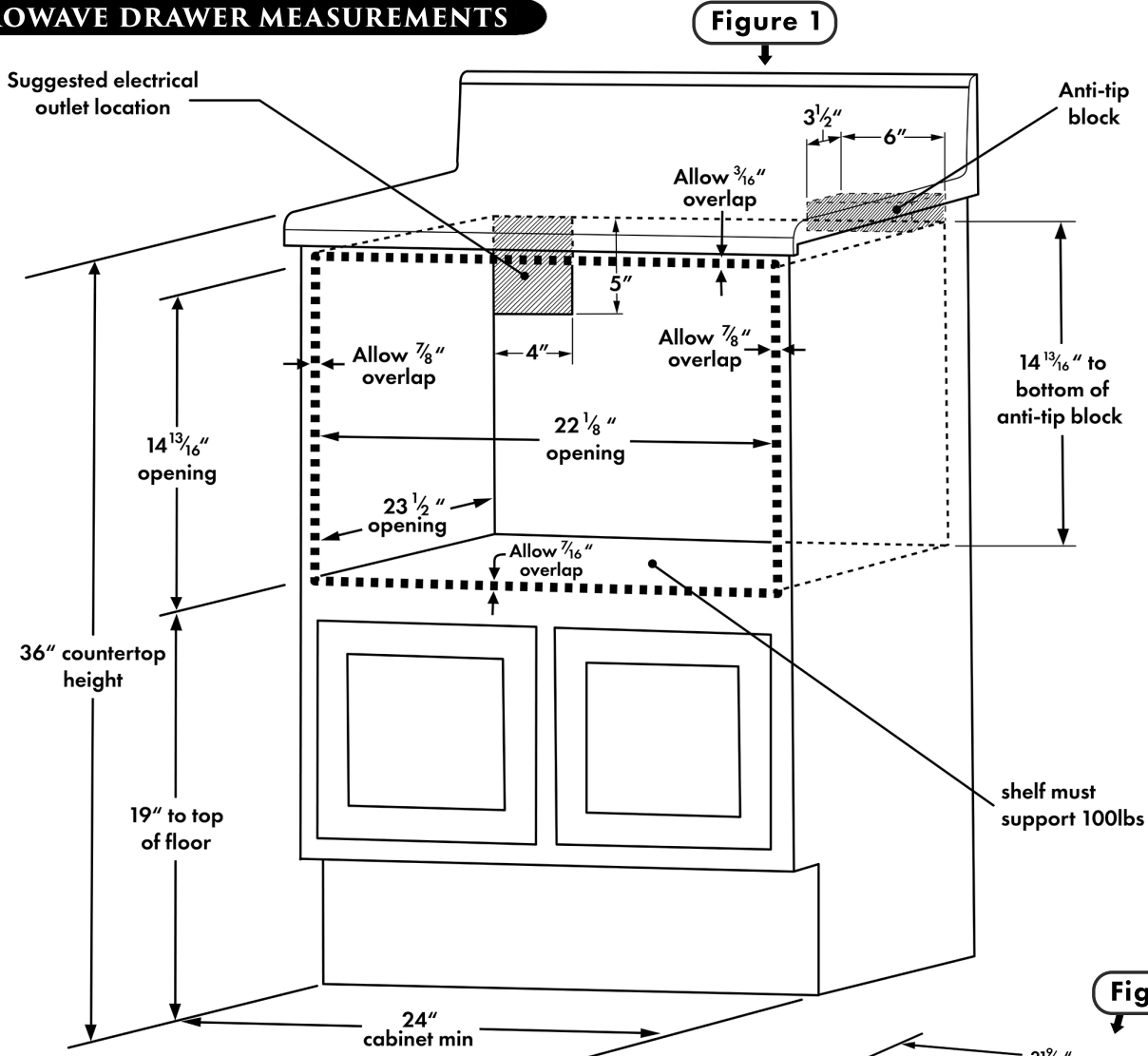
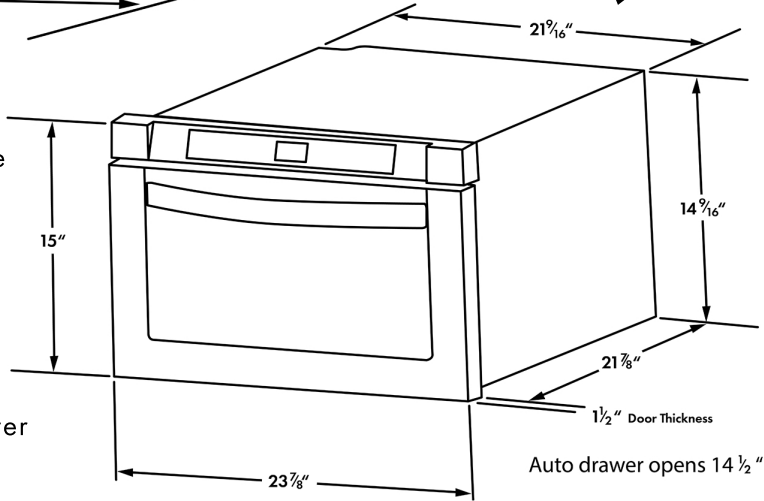
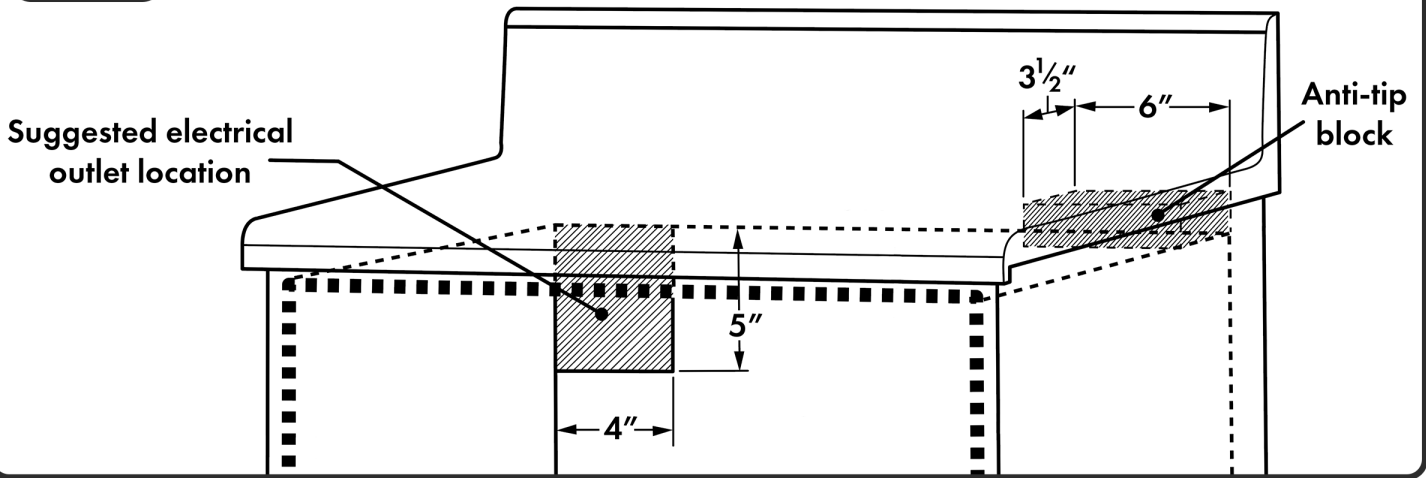


Figure 2



Figures 1 & 2 contain Microwave Drawer measurements for reference in planning the drawer's location. This Microwave Drawer can be installed below any electric or gas wall oven. It can also be installed using an electrical outlet in an adjacent cabinet within the area where the provided electrical cord can reach. The power cord access hole inside the cabinet should have a minimum diameter of 1 1/2" and be free of all sharp edges. ALWAYS allow for sufficient power cord length to the electrical outlet in order to prevent tension.

Figure 3



To reduce the risk of tipping of the drawer, the Anti-Tip block must be properly located $14\frac{13}{16}$ " above the floor on which the microwave drawer will sit. The 6 inch Anti-Tip block must be provided by the installer. See **Figures 1 & 3**. The Anti-Tip block prevents serious injury that might result from spilled hot liquids. If the microwave drawer is ever moved to a different location, the Anti-Tip block must also be moved and installed. When secured to the wall make sure that the screws completely penetrate the dry wall and are secured in wood or metal so that the block is totally stable. When fastening, be sure that the screws do not penetrate electrical wiring or plumbing. The electrical requirements are 120 volt 60 Hz, AC only, 15 amp. It is recommended that a separate circuit serving only this appliance be provided. The drawer is equipped with a 3-prong grounding plug and must be plugged into a wall receptacle that is properly installed and grounded. Should you only have a 2-prong outlet, have a qualified electrician install a correct wall receptacle.

NOTE: If you have any questions about the grounding or electrical instructions, consult a qualified electrician or service person. The Microwave Drawer can also be installed using an electrical outlet in an adjacent cabinet within the area where the provided electrical cord can reach. ALWAYS check electrical cord can reach.

GROUNDING INSTRUCTIONS

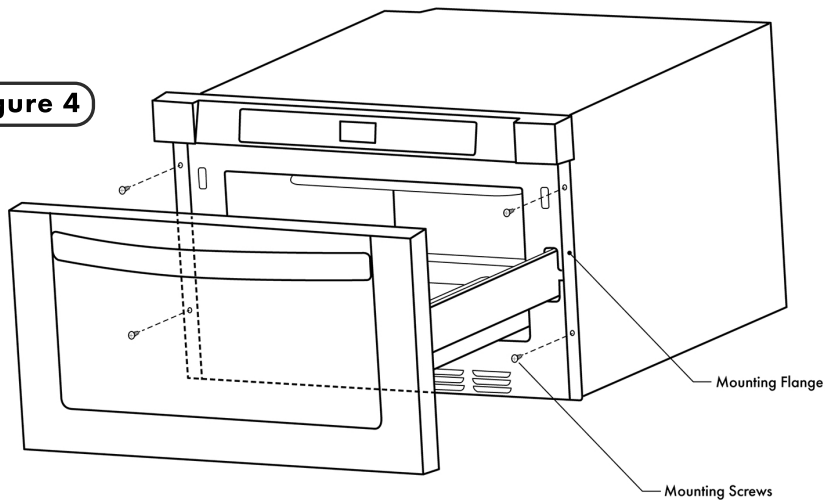
This appliance must be grounded. The Microwave Drawer must be plugged into a wall receptacle that is properly installed and grounded in accordance with the National Electrical Code along with local codes and ordinances. In the event of an electrical short circuit, grounding reduces risk of electrical shock by providing an escape wire for the electric current.

WARNING!

Improper use of the grounding plug can result in the risk of electric shock. Do not use an extension cord. If the power supply cord is too short, have a qualified electrician or serviceman install an outlet near the appliance.

DRAWER INSTALLATION

Figure 4



1. Place the drawer adjacent to the wall or cabinet opening.
Plug the power supply cord into the electrical outlet.
2. Carefully guide the drawer into the prepared opening.
Avoid pinching the cord between the oven and wall.
3. Slide the drawer all the way until the mounting flange is flush with the face of the cabinet.
4. Open the drawer. Using the 4 holes on the drawer as a template, pre-drill the cabinet using a 1/16" bit.
5. Secure the drawer with the 4 screws supplied (**Figure 5**).

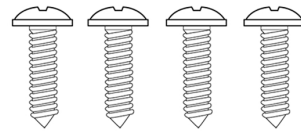


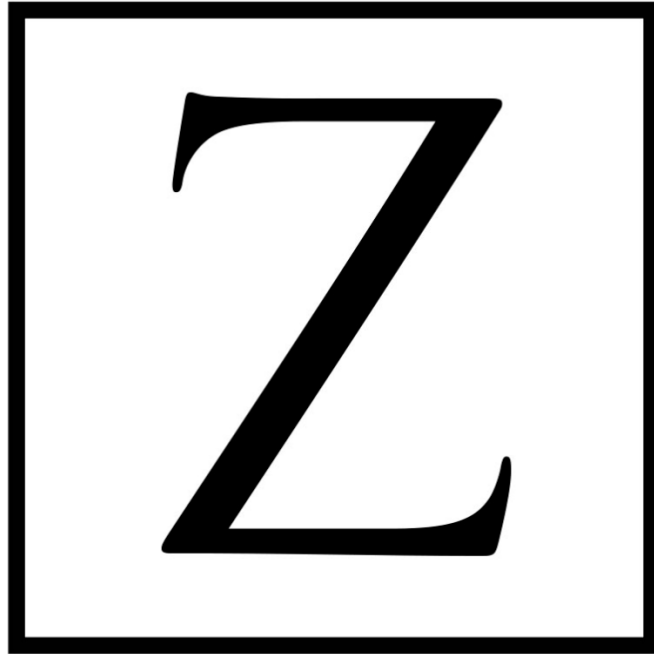
Figure 5

MODEL & SERIAL NUMBER LOCATION

To locate the model and serial number, open the microwave drawer fully. The label can be found beyond the back wall of the microwave cavity, facing up from the flat surface.

CARE, CLEANING & MAINTENANCE

Refer to the Operation Manual for cleaning and care instructions.



ZLINE

KITCHEN AND BATH

Three Locations:

350 Parr Circle
Reno, NV 89512

916 Delaware Avenue
Marysville, OH 43040

319 Rowland Mill Road
Bruceston, TN 38317

www.zlinekitchen.com

1-614-777-5004