



WWW.KUCHT.COM



BE A **PRO** IN YOUR KITCHEN

Kucht Built-In Refrigerator  
**KR**SERIES  
INSTALLATION MANUAL

APPLICABLE MODEL: KR300SD, KR360SD, KR365FD

## Table of Contents






Symbols and Their Meanings .....	4
Installation Place .....	7
Tool list .....	10
ALTERNATIVES FOR INSTALLATION .....	11
PREPARATION FOR INSTALLATION .....	12
Cabin Dimensions.....	12
Location of the Electrical Wiring .....	13
Location of the Water System.....	14
Production dimension .....	16
Unpacking .....	26
Removing Connectors on the rear Wall .....	28
Removing Mounting Parts in the Freezer Compartment.....	29
Removing the FRZ Crisper .....	30
Removing the FRZ Door .....	31
Removing the Lower Vent Hole Assembly .....	32
Removing the Upper Vent Hole Part.....	33
PRE-INSTALLATION.....	34
Mounting the Anti-Tip Brackets.....	34
Alternative anti-tip method .....	37
Preparing the Water Hose and the Power Plug .....	38
INSTALLATION TO THE CABIN .....	39
Taking the Refrigerator from the Wooden Pallet .....	39
Placing the refrigerator into the cabin.....	40
Adjusting the height of the refrigerator in the cabin.....	43
Adjusting the refrigerator according to the cabin flange.....	44
Screwing the side brackets .....	47
Screwing the upper bracket.....	48
INSTALLING THE CABIN BOTTOM .....	49
Water connection .....	49
Attaching the upper vent hole part .....	51
Attaching the lower vent hole assembly.....	52
Attaching the decorative parts .....	53
FURNITURE DOOR PREPARATION .....	54
Choosing the Door Thickness.....	54

Removing the Mechanism Covers.....	56
Removing the Panel-Adjustment Mechanisms on the Refrigerator.....	57
Preparing Furniture Door.....	59
Preparing the Fridge Furniture Door.....	60
Installing the Fridge Furniture Door.....	68
Installing the Freezer Furniture Door.....	74
HINGE ADJUSTMENT.....	80
Adjusting the hardness of the hinges.....	80
CHANGING THE DIRECTION OF THE FF DOOR.....	81
Removing the FF clad door .....	81
Removing and preparing the Fridge Inner Door .....	84
Replacing the hinges .....	86
Installing the FF PU Door.....	90

# WELCOME TO THE KUCHT FAMILY

## Symbols and Their Meanings

Symbols used in the installation manual are as follows.

	Important information or useful usage tips
	WARNING: Conditions that may damage the product or its operating functions
	ATTENTION: Conditions containing serious injury risk
	Conditions containing electric shock risk
	Packaging materials of the product have been manufactured from recyclable materials in accordance with our National Environment Regulations.

### Disposing the packaging materials

The package has been designed to protect the product during transport. The packaging materials used for the product do not harm the nature during disposal and they need to be recycled.

All plastic packaging materials, bags etc. must be disposed safely and kept out of the reach of children. Please return the packaging to your dealer.



### WARNING:

This installation manual has been prepared to help installation teams. The User Manual provided with the product must also be taken into consideration.

You may get seriously injured and your product may get damaged if you ignore the warnings given in this manual. Please read the following carefully.



### WARNING:

#### R600a Refrigerant

This product contains R600a isobutane refrigerant, which is a very eco-friendly natural gas. However, it is also flammable. Please follow the warnings given below:

- If the product has been transported horizontally, you must wait for 4 hours minimum before plugging it in.
- The following instructions must be followed during installation:
- Dimensions of the installation area must be suitable.
- Dimensions, features and position of the object used to support and fix the product to this area must be suitable.

- Minimum clearances between product parts and surrounding structures must be suitable.
- Minimum dimensions and proper organization of ventilation holes must be observed.
- The product must be connected to the mains power,  
and corresponding connections of other components must be suitable.
- The product must be disconnectable from the power supply after installation.
- The socket or fuse must be accessible to de-energize the product.
- Extension cables or ungrounded (two-terminal) adapters must not be used.

### **ATTENTION:**

You must wear gloves and eye protectors when installing the product.

You must also take measures against high noise levels when drilling the floor or using a drill.

### **ATTENTION:**

Make sure that your product is suitable for your local mains.

### **ATTENTION:**

The product must be installed by a qualified technician according to the installation instructions.

### **WARNING:**

The product may tip over since it is quite heavy. For this reason, precautions must be taken against tipping over.

The doors of the product must be kept closed until it reaches the destination and it must be transported in accordance with the installation instructions.

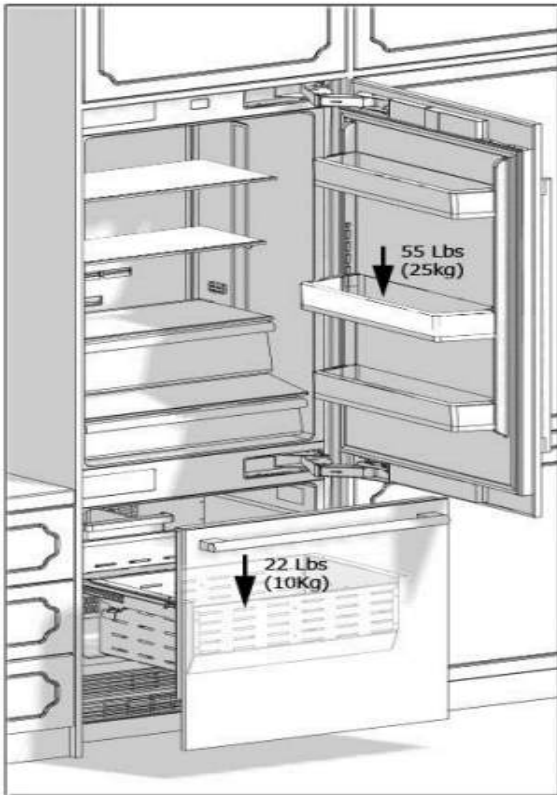


**Product weight:**

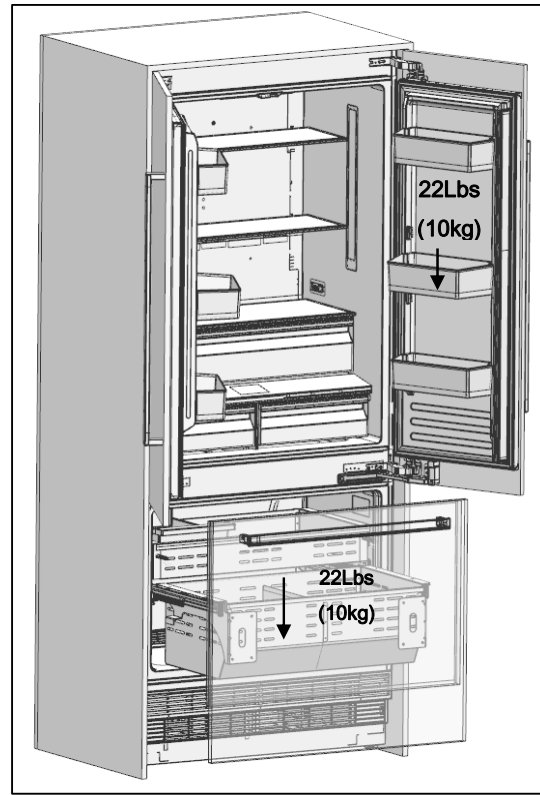
Category	KR300SD	KR360SD	KR365FD
Product weight	361lbs (164kg)	373lbs (169kg)	355lbs (161kg)

**Load bearing capacity of the doors**

Max load	KR360SD	KR360SD	KR365FD
Fridge door	55lbs (25kg)	55lbs (25kg)	22lbs (10kg)
Freezer door	22lbs (10kg)	22lbs (10kg)	22lbs (10kg)



KR300SD



KR365FD

## Installation Place

You must follow the instructions below:

- The floor on which the product will be installed must be capable of bearing 1,200 pounds (544 kg) minimum.
- Kitchen floor and the bottom of the product must be at the same level. Otherwise, problems may occur with the air suction of the product.
- There must be no objects preventing the installation of the product at the back and on the side walls of the product's installation place.
- The power socket must be at the correct place.
- Dimensions of the furniture where the product will be installed must be in strict conformity with the dimensions given in the manual.
- Do not install the product with the fridge and the freezer are adherent next to each other. Otherwise, condensation and damage may occur in the product. (Please see "Dual Cabin Installation" for detailed information)
- Flatness of the floor where the product will be installed must be checked with a Bubble Level Tool.
- Installation area must not be subjected to direct sunlight and it must be away from heat sources, ovens, radiators etc.
- The ambient temperature must be between 55°F (13°C) and 110°F (43°C). Otherwise,
- function errors may arise when the product is running.
- If it is not possible to avoid installing the product near a heat source, the minimum clearances given below must be maintained between the product and the said source:
- 11/4" (3 cm) from electric hobs or ovens 1 1/4"
- 12" (30 cm) from gas or fuel operated hobs or ovens

Please observe the following rules:

- The power socket or fuse must be easily accessible in case of an emergency;  
it must not be hidden behind the product.
- Plug or cable must not touch the back surface of the product. Otherwise,  
it may get damaged due to the vibration of the product.
- Do not connect the plugs of other appliances behind this product.

If the humidity level is high where the product is used, corrosion may be seen on the outer surface of the product.

Keep the installation room dry and well-cleaned to avoid corrosion.

To avoid the risk of electric shock:

- Connect the plug to a grounded 3-pin socket.
- Do not remove the ground terminal of the plug.
- Do not use adapters.
- Do not use extension cables.

## **ATTENTION:**

Failure to follow these instructions may result in death, fire or electric shock. Connecting the grounding conductor of the equipment to an improper place may lead to electric shock. Please have the grounding checked by a qualified electrician or service technician if you have any doubt about the proper grounding of the product.

Installation, repair and other procedures performed by unqualified persons may cause danger. Before installing the appliance, make sure that the voltage, load and circuit current parameters on the data plate are in compliance with the power mains in your house.

The appliance is provided with a NEMA 5-15 P plug and a 3-pin power cable which is in the UL list and ready to be connected to a 120 V, 60 Hz power supply. Fuse is 15 A. The appliance must be connected to a 3-pin socket. The plug must be installed only by a licensed electrician.

If the electrical wiring or the electric power supply of the house needs alteration, the necessary procedures must be performed by a qualified electrician.

## **ATTENTION:**

Do not install your refrigerator:

- In open areas
- In environments where water is dripping
- In environments where temperature is lower than 55° F (0°C)

### **Furniture:**

Make sure that the furniture where you will install the appliance has been safely mounted in your kitchen.

Your furniture must be connected to the floor and the wall properly and with suitable connections.

For the best installation, clearances between the furniture and the product must be in compliance with the values specified in the installation instructions.

Side walls must be free of clearances and their surfaces must be flat.

Minimum thickness of the side walls must be 5/8" (16 mm).

Minimum thickness of the doors to be attached to the product must be 3/4" (19 mm) .





## ATTENTION:

There is a stainless steel door and stainless kick plate option. Please consult the authorized service.

### Ventilation:

Vent holes where the air enters and exits the unit must not be blocked or obstructed. In addition, you must periodically clean the dust and dirt that accumulate on these holes in time.

### Electrical Connection:

- Never use an extension cable.
- The power socket must be grounded and checked by an authorized person.
- Location of the electrical wiring must comply with the dimensions specified in the manual.



## ATTENTION:

### RISK OF ELECTRIC SHOCK

Electrical grounding is necessary. This appliance is equipped with a three-pin plug to protect you against possible electric shocks.

- Do not remove the round grounding terminal from the plug.
- Do not use two-pin grounding adapters.
- Do not use extension cables to energize the product.



## ATTENTION:

Do not connect the grounding cable to the gas pipe. Please have the grounding checked by a qualified electrician if you are not sure about the grounding of the product. Do not install a fuse on the neutral line or grounding circuit.



## WARNING:

Please wait for 3-6 hour before energizing the product to protect it against possible damages. This way, the refrigerant and the lubricants in the system get balanced.

### Water Connection

- Pressure of the mains water must be in compliance with the values specified in the manual.
- Location of the water system must comply with the dimensions specified in the manual.



## IMPORTANT INFORMATION:

Bypass is recommended for the water filtering system if a reverse osmosis system is used.



## TOOL LIST

Tools to be used when installing the product are as follows:



Cordless Drill



Safety Goggles



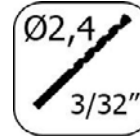
1/2" Wrench



Hammer



Ladder



Ø2,4  
3/32" Drill bit



Ø8  
5/16" Drill bit



Box Cutter



Safety Gloves



Tape measure



Star bit



1/4" Wrench Flat



Bubble Level Tool



Wheelbarrow

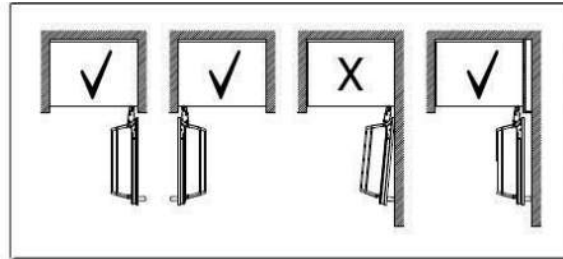


Tape

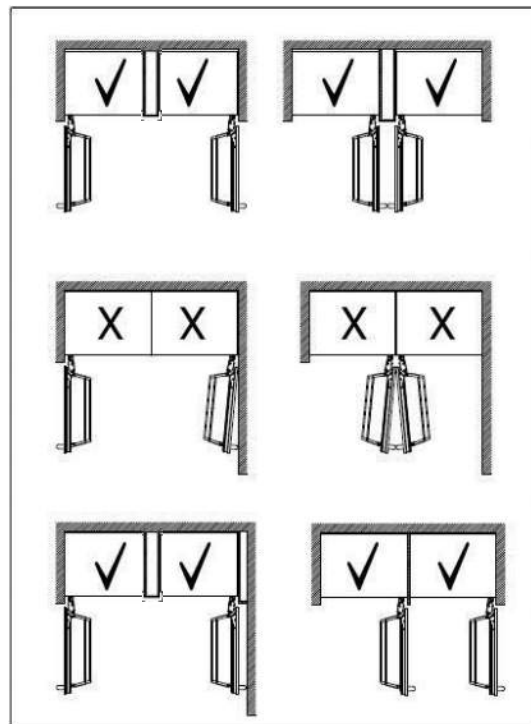
## ALTERNATIVES FOR INSTALLATION

The product can be placed in various ways based on the kitchen design. It must be installed at a place where it is ensured that the door can be opened and closed properly. If the doors cannot be opened 90 degrees at least, you cannot completely open the drawers inside the product.

- Single cabin placement methods



- Dual cabin placement methods



## PREPARATION FOR INSTALLATION

The instructions below have been prepared according to Built-in type.

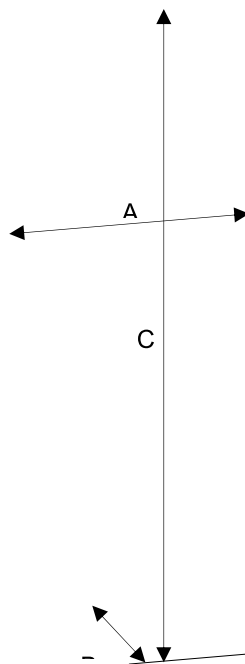
Built-in: The Appliance and Panels fully seat into the gap, and a material that can be their own box is jammed between the two kitchen cabinets or decorative columns.

This is the most common installation scenario.

### Cabin Dimensions

- Cabin dimensions below must be checked before starting the installation.

Category		KR300SD	KR360SD	KR365FD
A	width	30" (762mm)	36" (914mm)	36" (914mm)
B	depth	25" (635mm)	25" (635mm)	25" (635mm)
C	height	84" (2134mm)	84" (2134mm)	84" (2134mm)



## Location of the Electrical Wiring

Location of the electrical wiring must be within the range given below.



### ATTENTION:

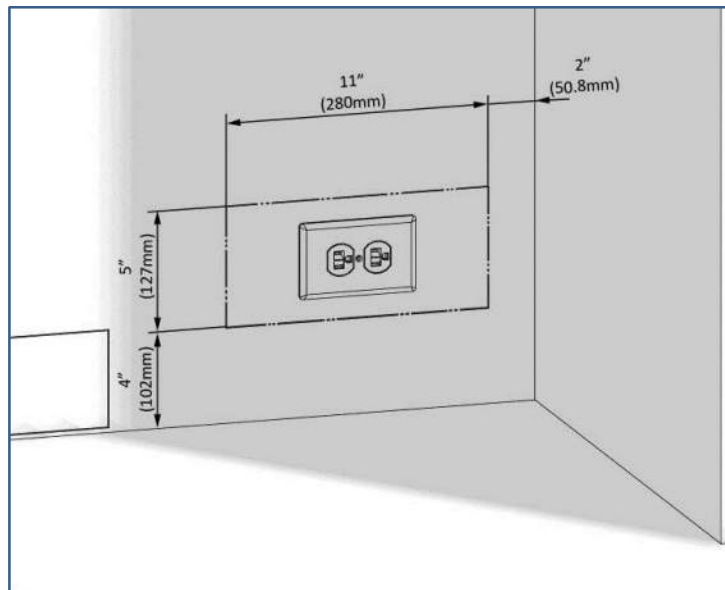
Do not use extension cables or two-pin adaptors and do not remove the ground terminal of the grounding cable.



### ATTENTION:

A qualified electrician must ensure that the poles of the socket are connected correctly.

Verify that the grounding of the socket is correct.



## Location of the Water System

The water connected to the water mains must be potable.

Location of the water system must be within the range given below.

Water system of the refrigerator must be connected to the water mains system in the house.

The user must be able to switch it on/off with the valve when necessary.

Objects that might pierce the water hoses or cause them to twist must not be present where the water line is installed.

Pressure of the water system must be between 25-80 psi (1.7-5.5 Bar).

If the water pressure exceeds 80 psi, install a pressure limiting device or water impact protector to the inlet valve.

Never install the product or operate the appliance if it is possible for the water pressure to exceed 120 psi.



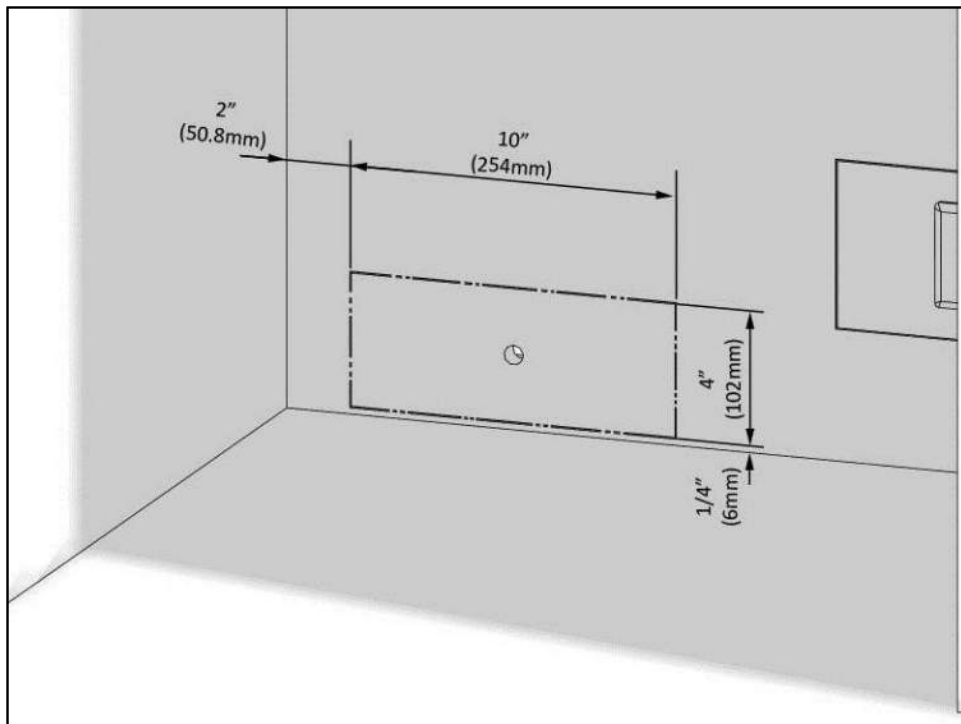
## WARNING:

Make sure that there is no water leakage when making the water connections. Otherwise, there will be water on the floor and the furniture will get damaged.

You will need a hose with a minimum length of 60" (1.5 meters) and a diameter of ¼" for water connections of the product during installation.

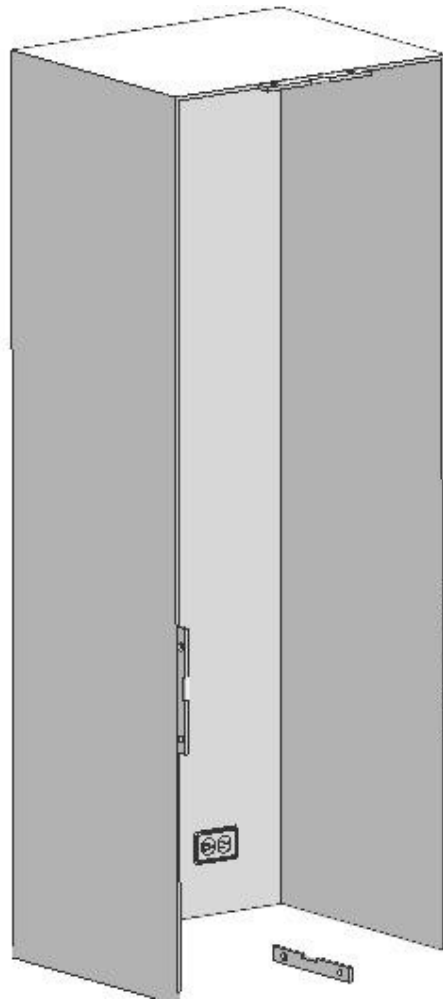
A connector that has a thread with an external diameter of ¼" must be used to connect the hose end to the product.

Before completing the installation, make sure that water flows and there is no water leakage.



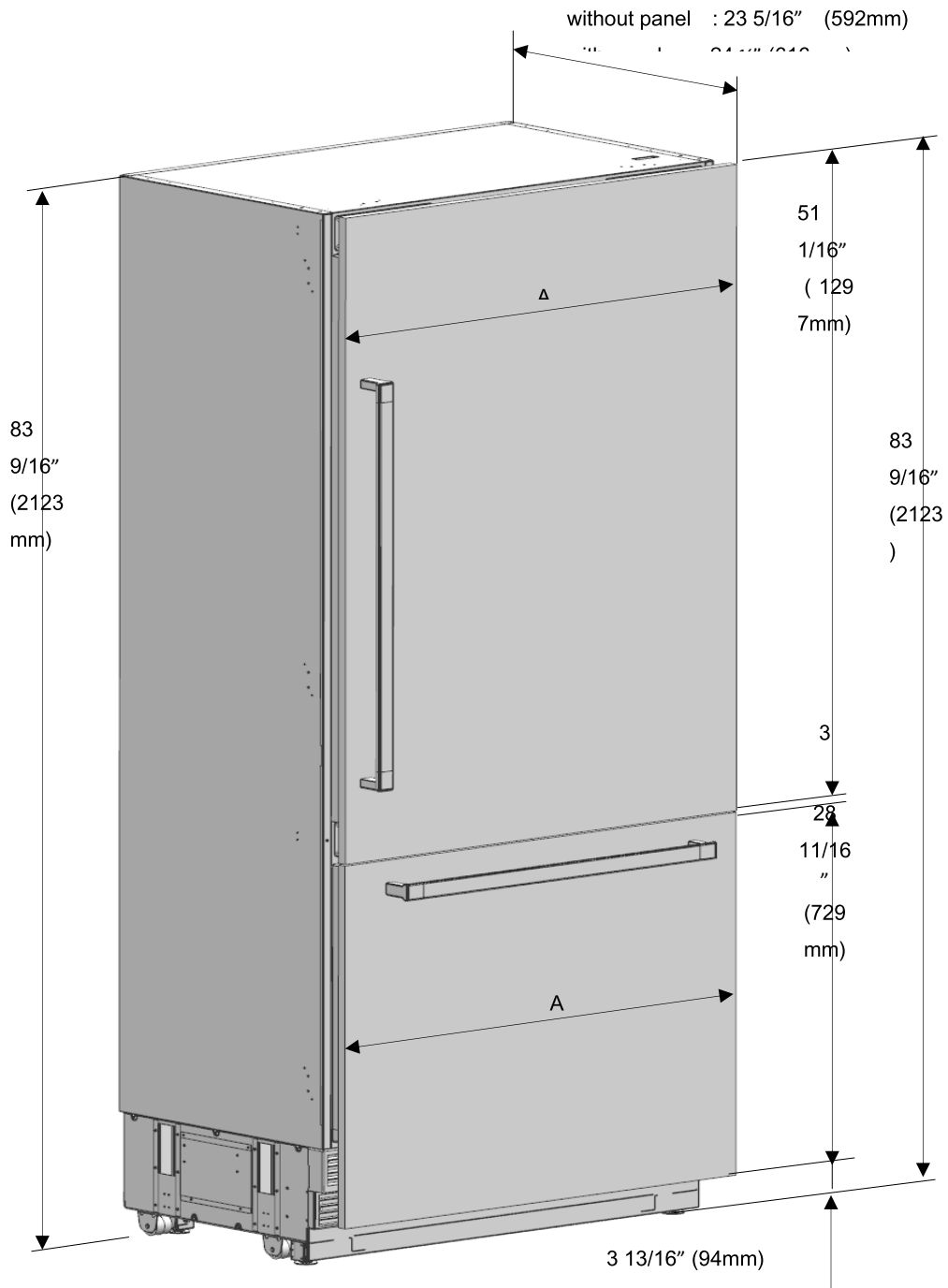
 **WARNING:**

- Flatness of the floor where the product will be installed must be checked with a Bubble Level Tool.
- Uprightness of the furniture flanges must be checked with a Bubble Level Tool.
- If the flatness and uprightness of the product is not proper, problems may arise with the installation.



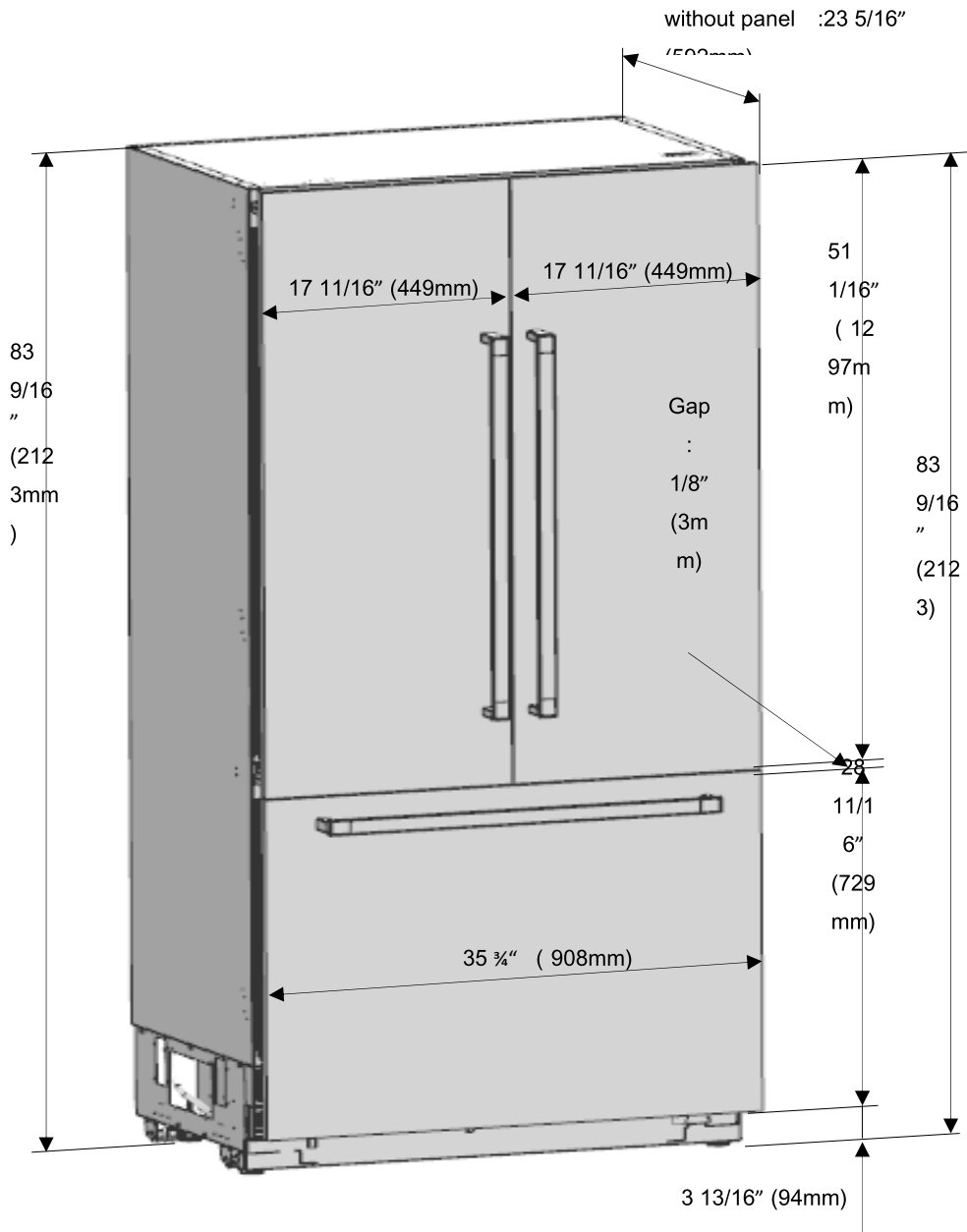
# PRODUCT DIMENSION

Category	KR300SD	KR360SD	KR365FD
A	29 3/4" (756mm)	35 3/4" (908mm)	35 3/4" (908mm)

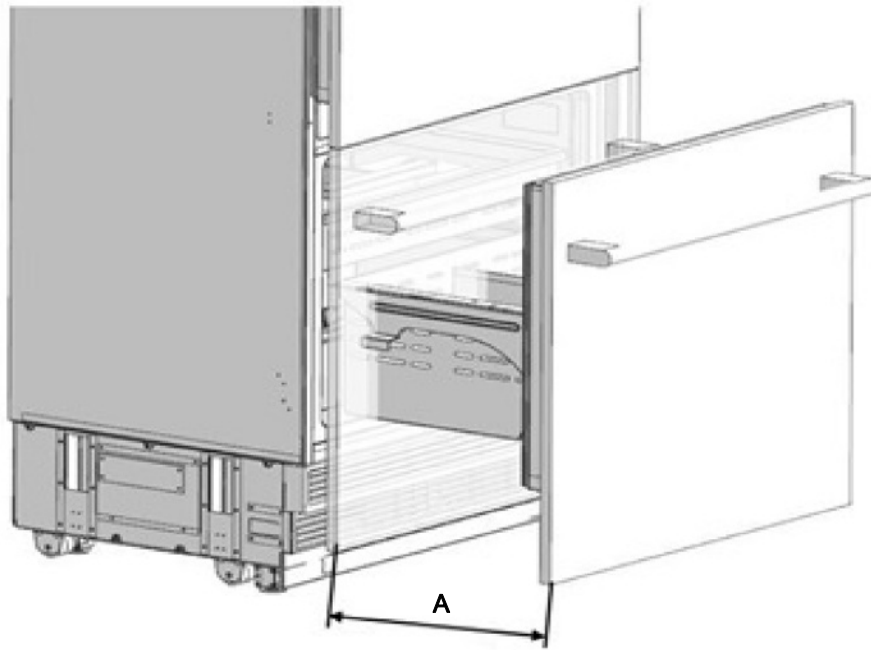




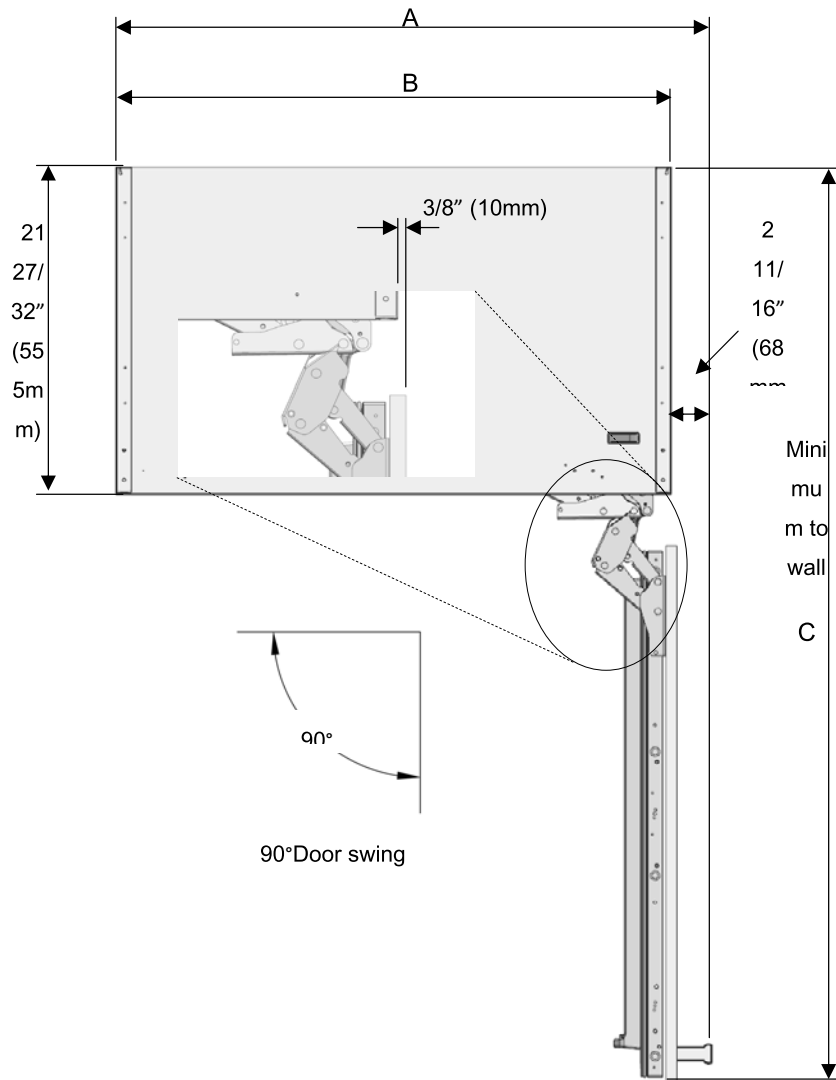
KR365FD



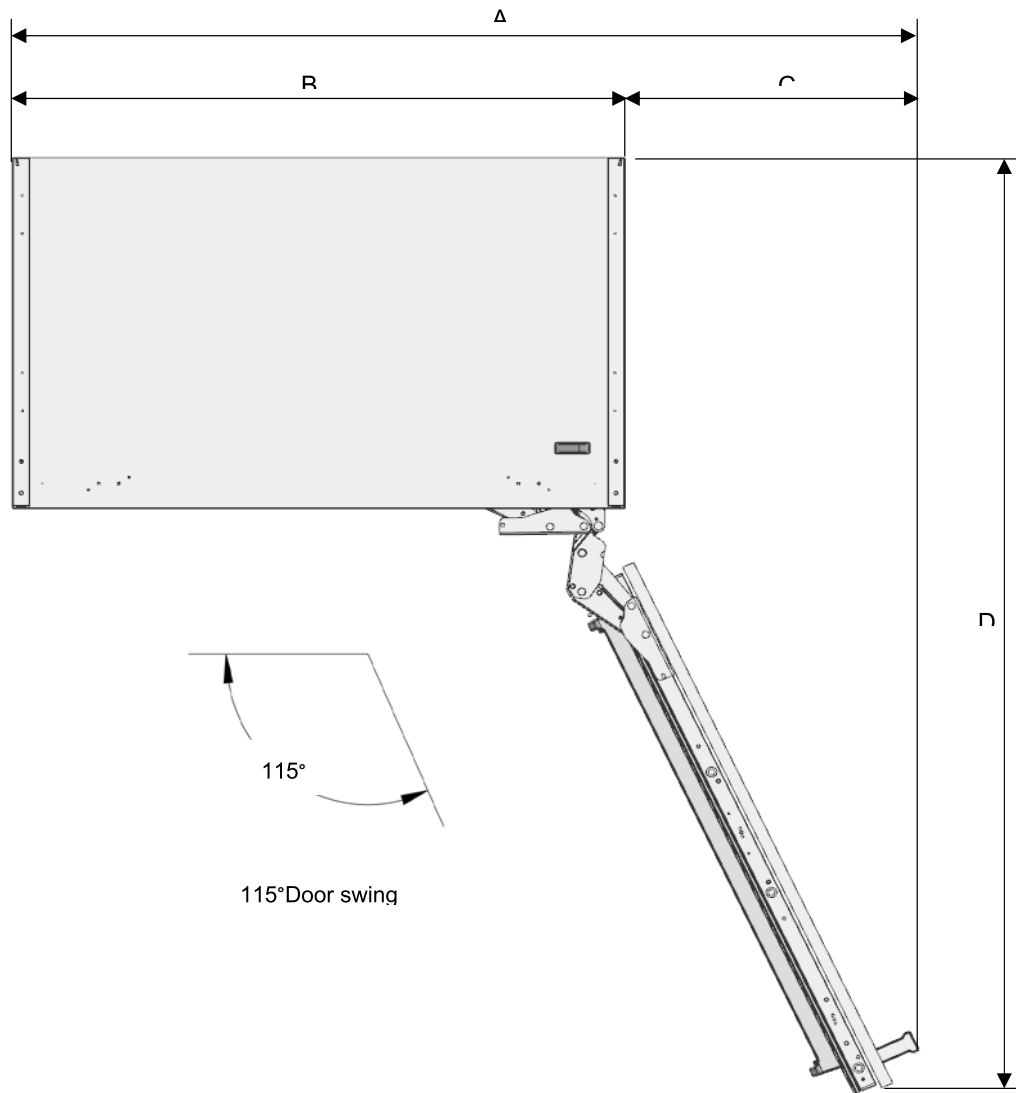
Category	KR300SD	KR360SD	KR365FD
A	15 9/32" (388mm)	15 9/32" (388mm)	15 9/32" (388mm)

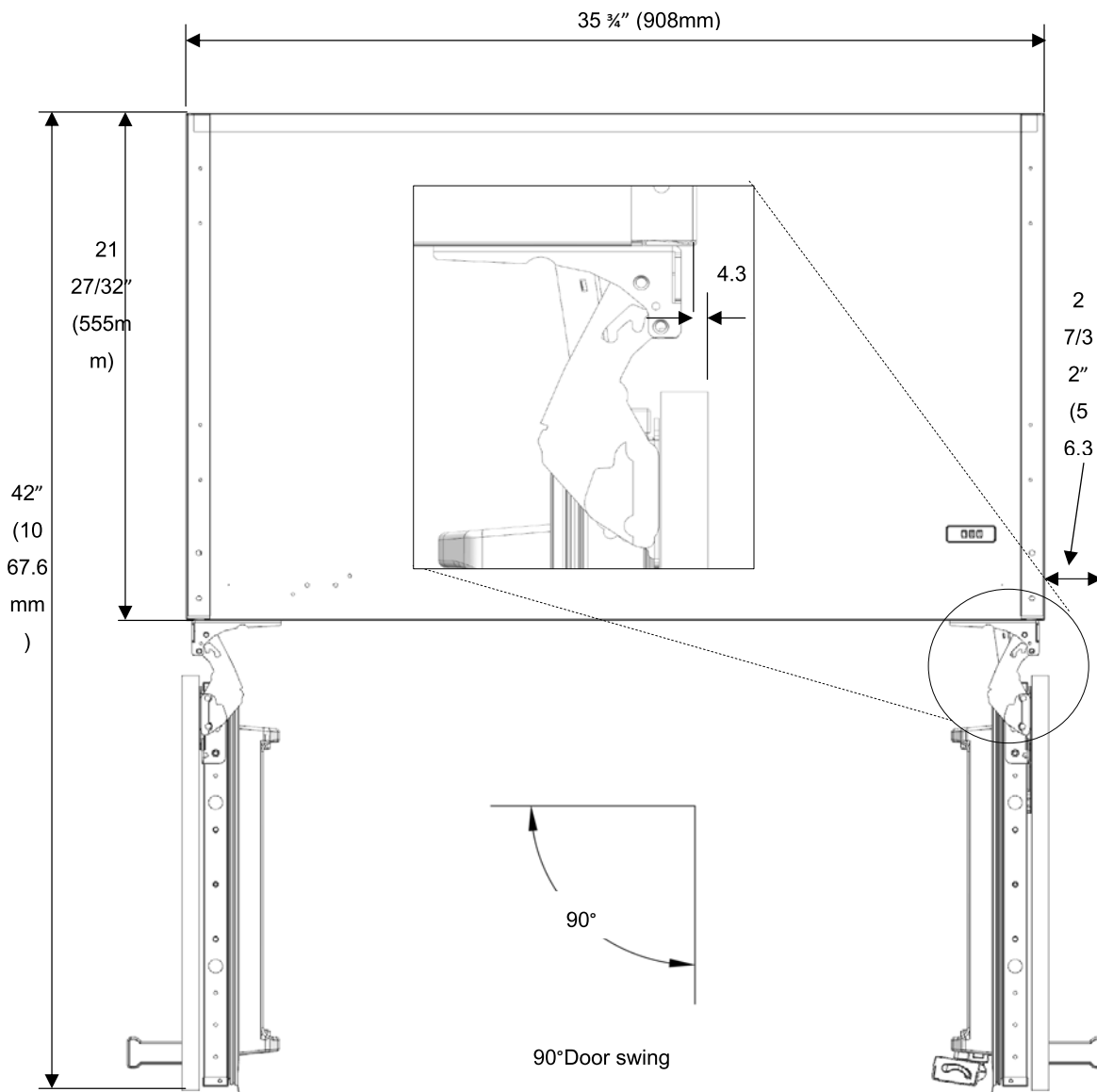


Category	KR300SD	KR360SD	KR365FD
A	32 7/16" (824mm)	38 7/16" (976mm)	38 7/16" (976mm)
B	29 3/4" (756mm)	35 3/4" (908mm)	35 3/4" (908mm)
C	55 1/32" (1398mm)	61" (1550mm)	61" (1550mm)

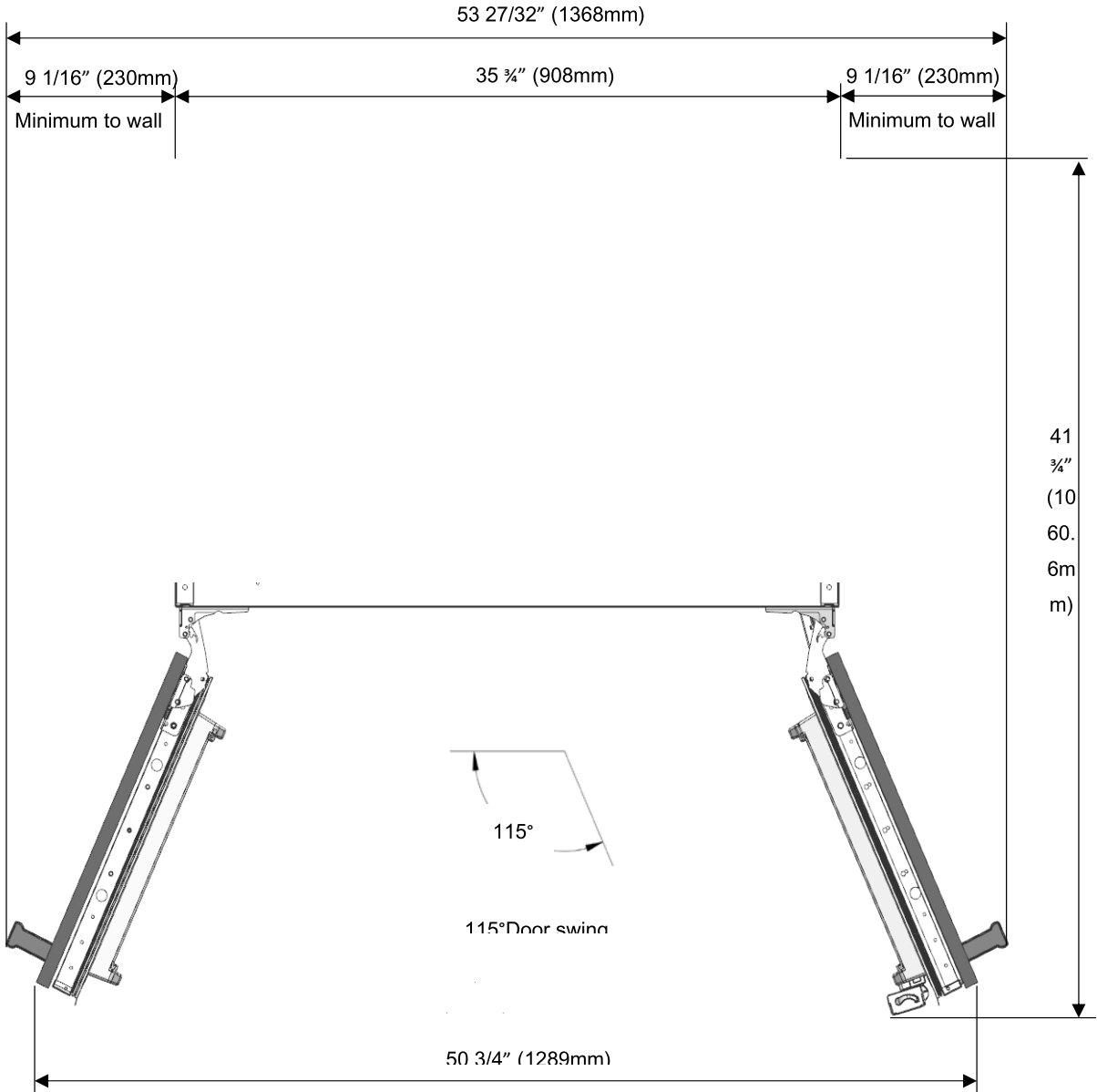


Category	KR300SD	KR360SD	KR365FD
A	44 3/8" (1127mm)	54 3/4" (1391mm)	54 3/4" (1391mm)
B	29 3/4" (756mm)	35 3/4" (908mm)	35 3/4" (908mm)
C	14 5/8" (371mm)	19" (483mm)	19" (483mm)
D	52 11/16" (1338mm)	57 11/16" (1466mm)	57 11/16" (1466mm)

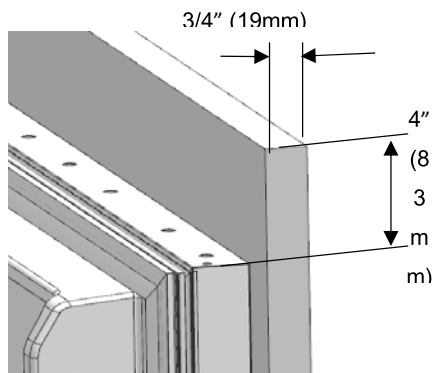
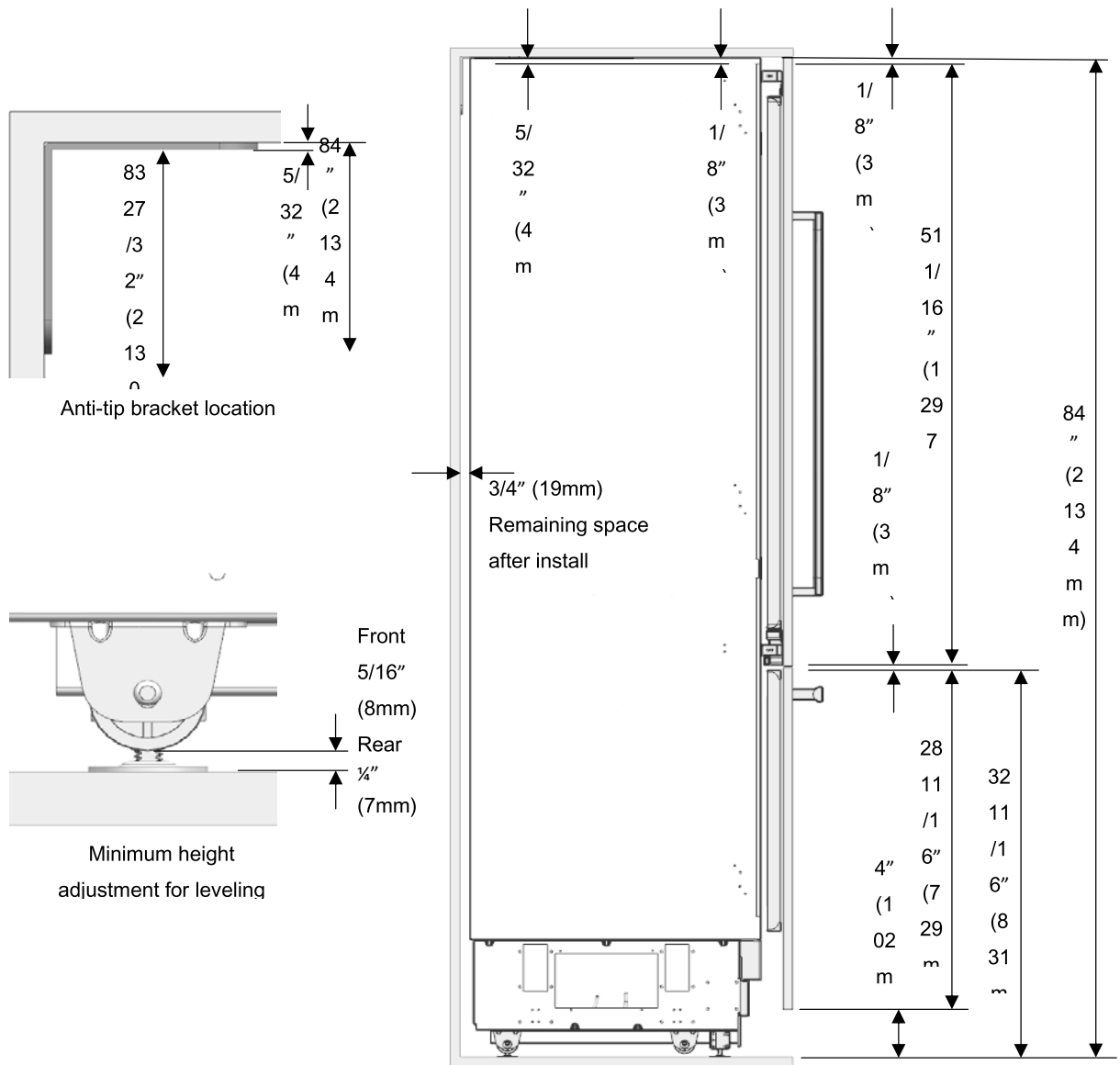




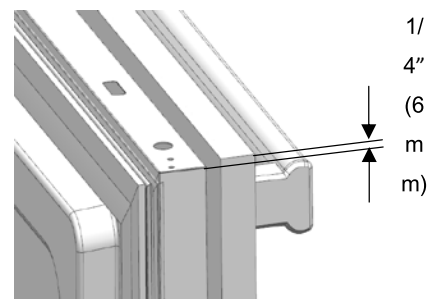
KR365FD



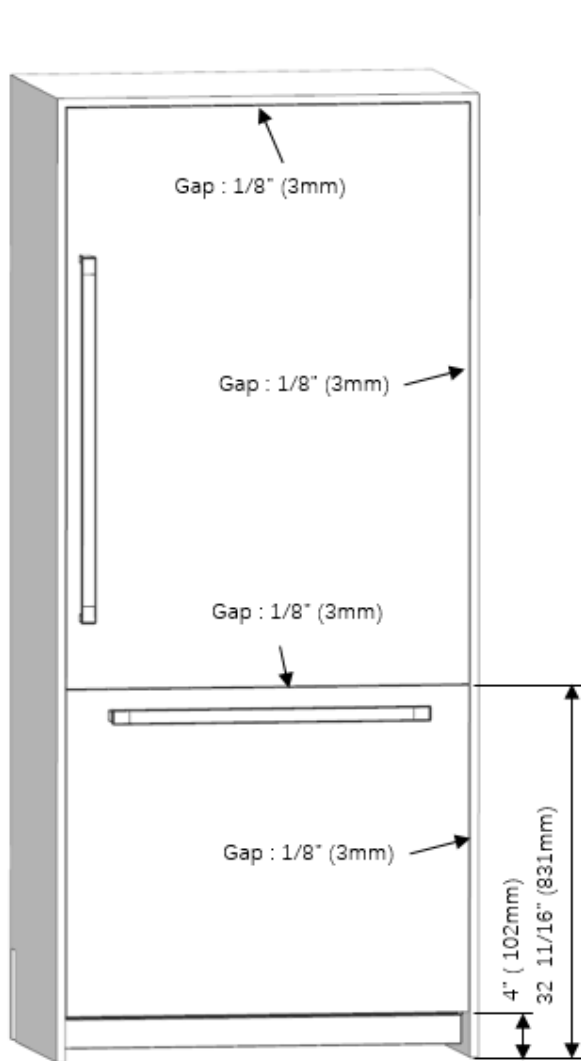
KR365FD



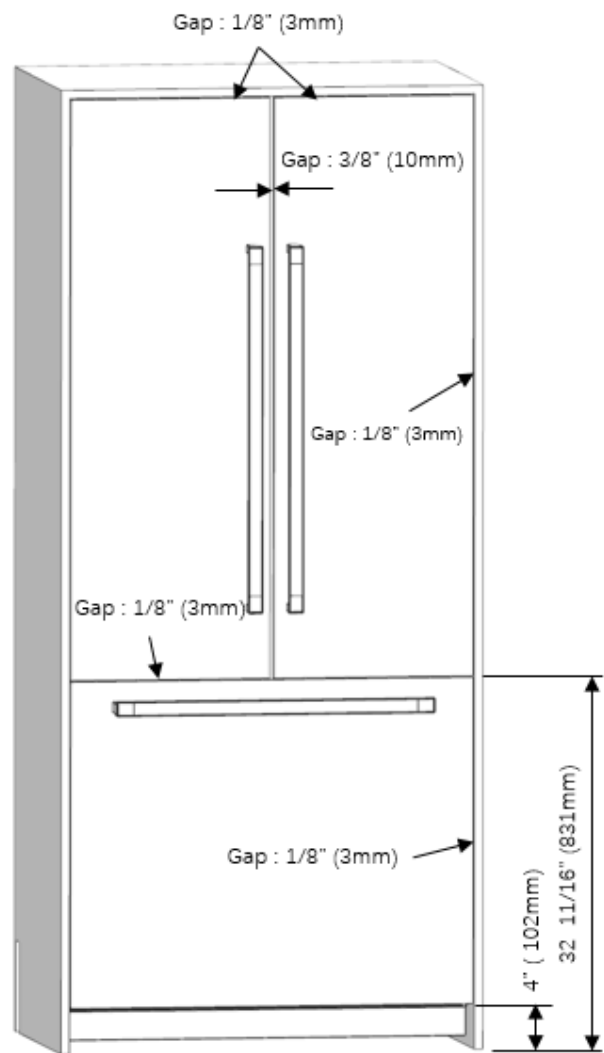
Assembly dimension between Wood panel and fridge door



Assembly dimension between Wood panel and freezer door



KR300SD  
KR360SD

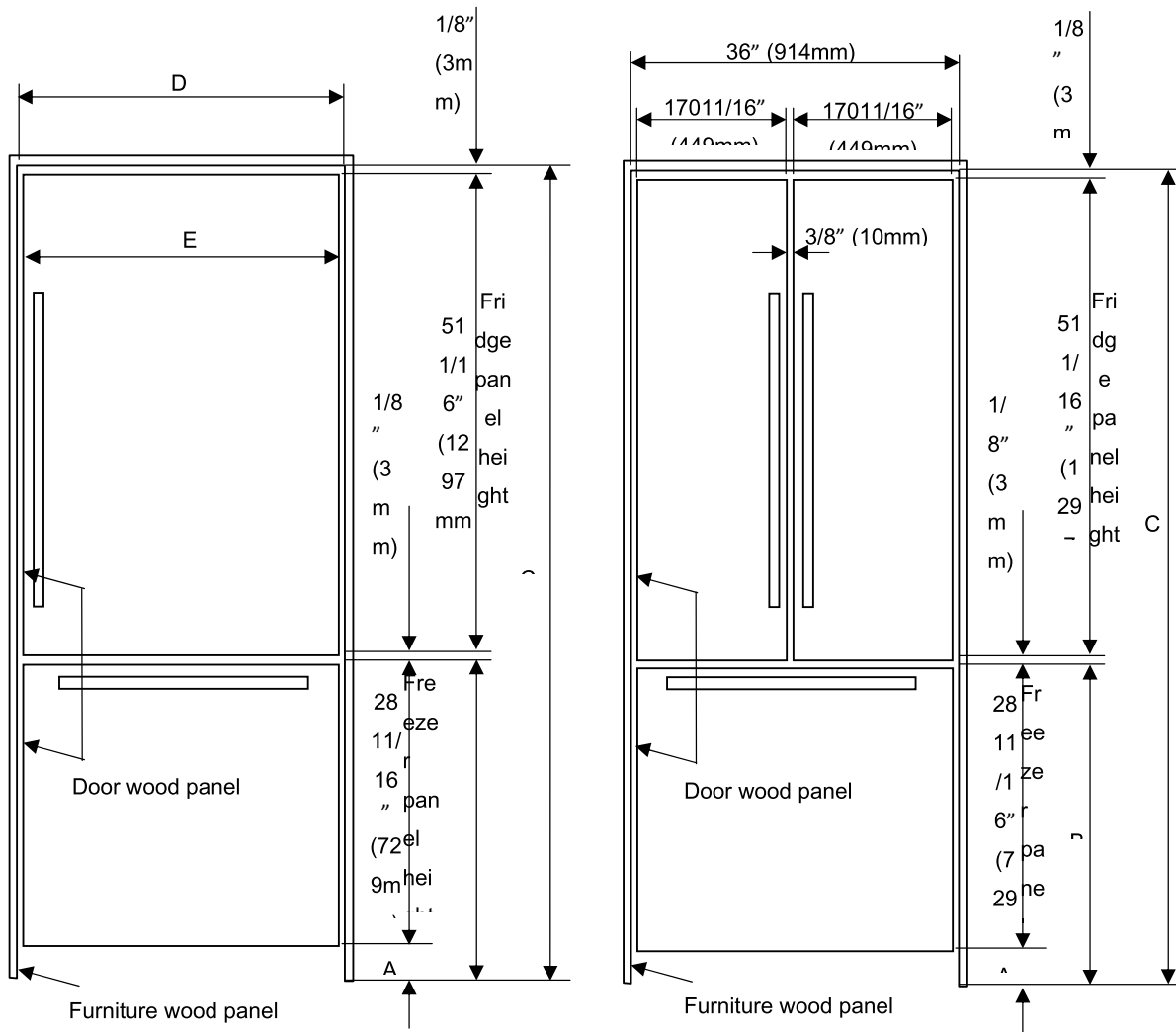


KR365FD



Height of the kitchen countertop based on the min/max. height of the cabin;

	A	B	C
standard	4" (102mm)	32 11/16" (831mm)	84" (2134mm)
minimum	3 13/16" (97mm)	32 1/2" (826mm)	83 13/16" (2129mm)
maximum	5 3/8" (137mm)	34 1/8" (866mm)	85 3/8" (2169mm)



Category	KR300SD	KR360SD	KR365FD
D	30" (762mm)	36" (762mm)	36" (914mm)
E	29 3/4" (756mm)	29 3/4" (756mm)	35 3/4" (908mm)

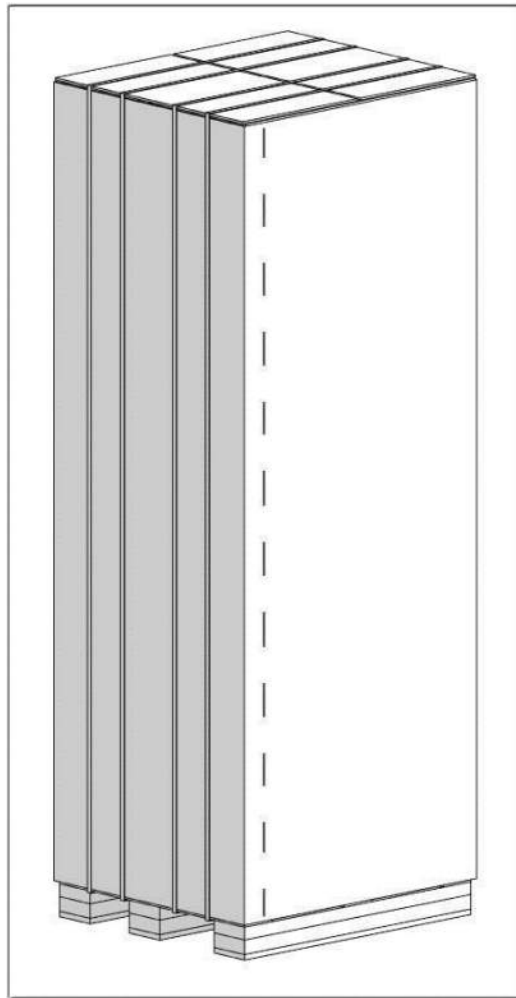
## Unpacking

### WARNING:

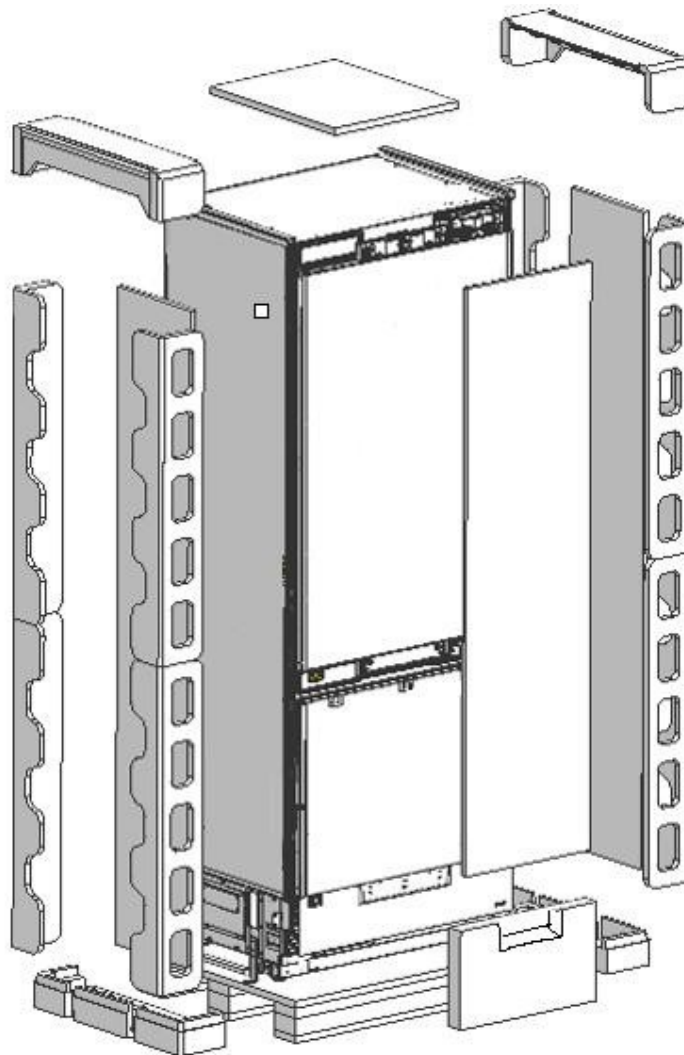
At least two persons must carry the refrigerator.



- Use a box cutter to remove the tapes.
- Cut the Packaging Board with a Box Cutter through the section illustrated in dotted lines and remove it.



- Remove the Packaging Polystyrene material.

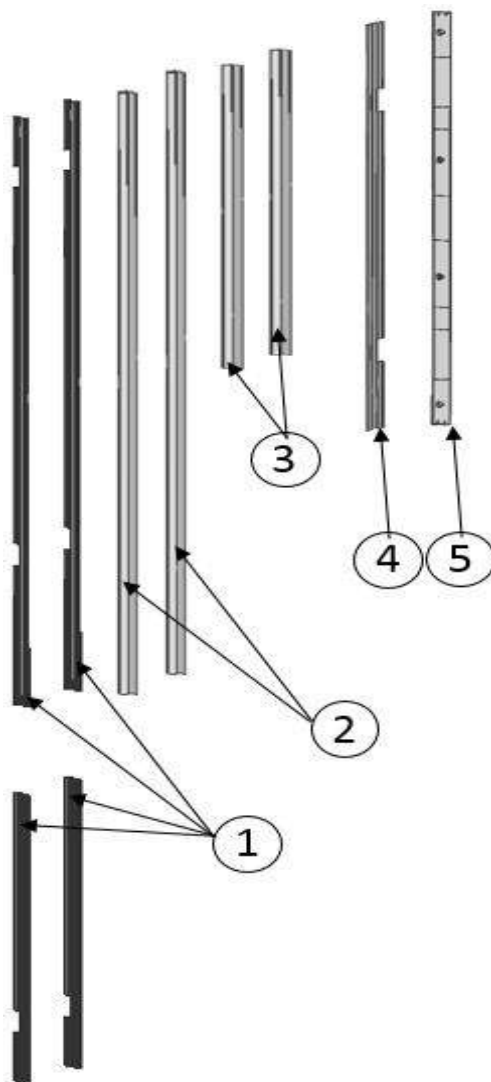


 **ATTENTION:**

Do not remove the tape of the upper door on the product until the refrigerator is placed into the cabin.

Risk of tipping over.

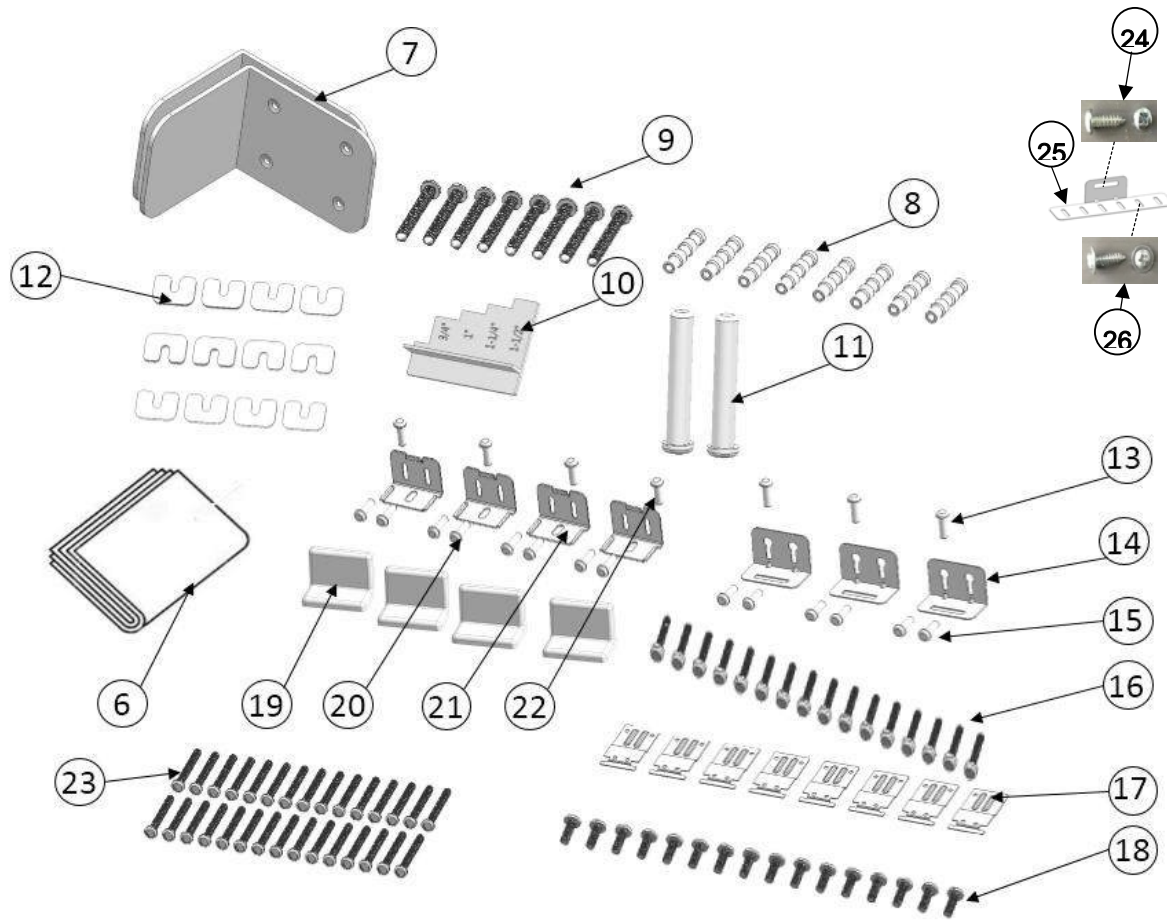
## Removing connectors on the rear wall



No	Part name	spec	K1	K2	K3
1	Trim fridge furniture side	PVC extrusion L=617, L=1,259	4	4	4
2	Trim fridge door side	PVC extrusion L=1136	2	2	4
3	Trim freezer door side	PVC extrusion L=556	2	2	2
4	Trim fridge furniture top	PVC extrusion L=762, L=914	1	1	1
5	Cover freezer door top	abs	1	1	1

Category	KR300SD	KR360SD	KR365FD
Abbreviation.	K1	K2	K3

## Removeing mounting Parts in the Freezer Compartment

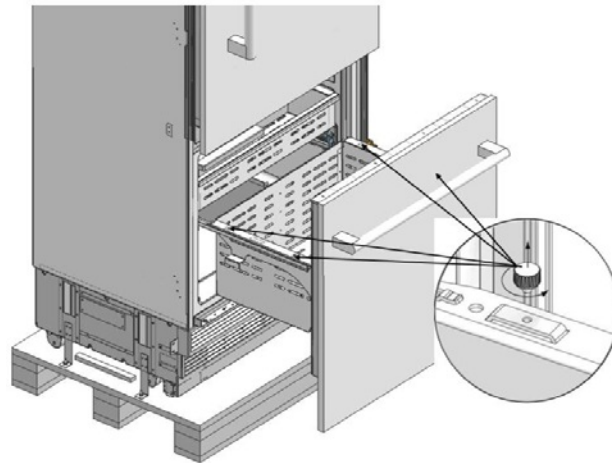


No	Part name	spec	76	91	92
6	Template Furniture door	paper	1	1	1
7	Anti-tip bracket	T4.0, Zn-coating	2	2	2
8	Dowel	-	8	8	8
9	Screw anti tip bracket screws	M8*L60	8	8	8
10	Position adjustment jig	ps	1	1	1
11	90° limiting pins	sus	2	2	-
12	Spacer freezer furniture door	abs	9	9	9
13	Screw freezer furniture door top	ST M4.8x16	3	-	-
14	Bracket freezer furniture door top	T1.0, sus	3	-	-
15	Screw freezer furniture door top	M4*12	6	-	-
16	Screw furniture bracket	M4*12	16	16	16

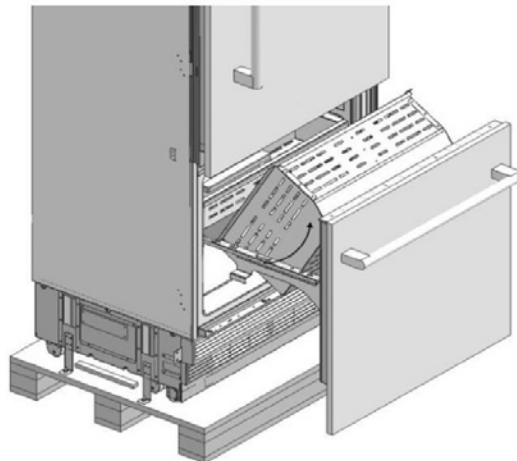
No	Part name	spec	76	91	92
17	Bracket furniture	T1.0, Zn-coating	8	8	8
18	Screw furniture bracket	ST M4x14	16	16	16
19	Cover furniture door bracket	abs	4	4	2
20	Screw furniture door bracket	M4*12	8	8	4
21	Bracket furniture door	T1.0, sus	4	4	2
22	Screw furniture door bracket	ST M4x14	8	8	4
23	Screw furniture door hanger bracket	ST M4x14	30	30	34
24	Screw freezer furniture door top	ST M4.8x16	-	3	3
25	Bracket freezer furniture door top	T1.0, sus	-	3	3
26	Screw freezer furniture door top	M4*12	-	18	18

### Removing the FRZ Crisper

- Remove it manually with 4 knurled screws.

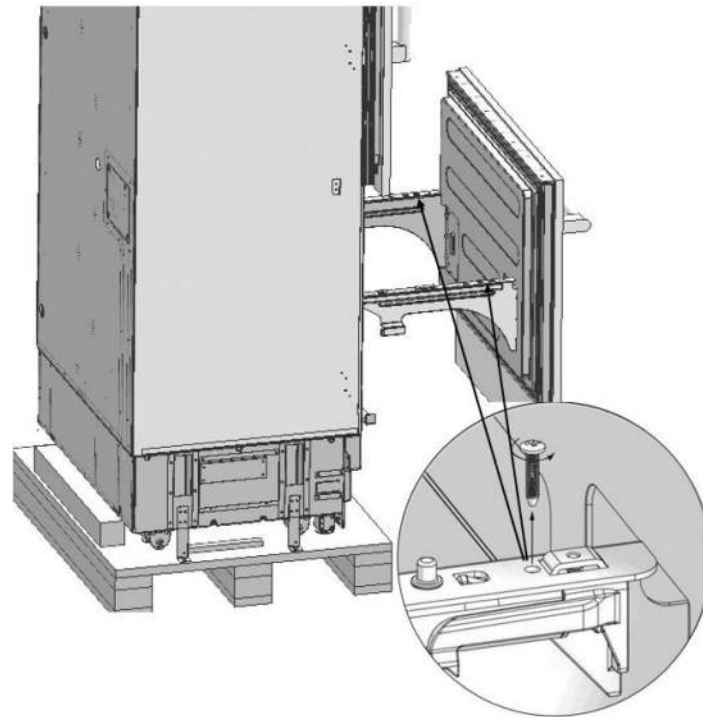


- Remove the Lower Crisper.

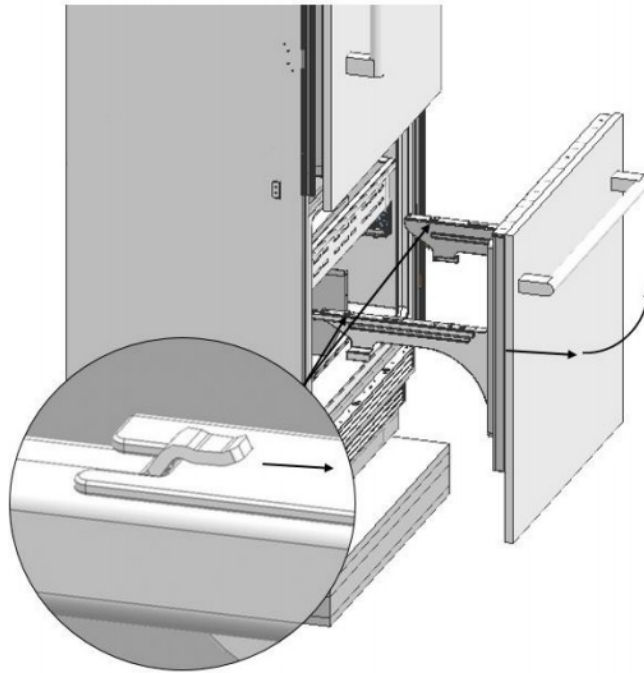


## Removing the FRZ Door

Remove 2 screws which are near the front section and connect the FRZ Door and the rail.

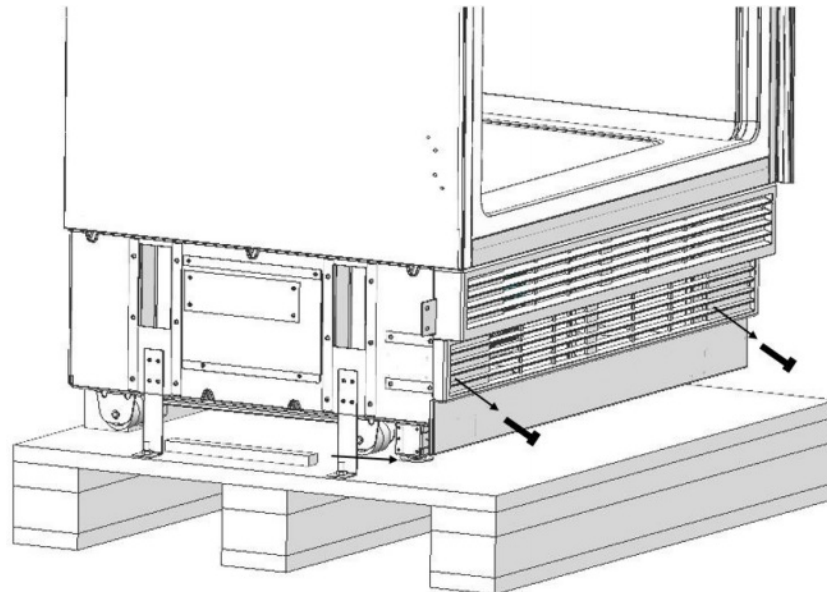


- Pull the door frontward to free it from the tabs at the back and remove it.



### Removing the Lower Vent Hole Assembly

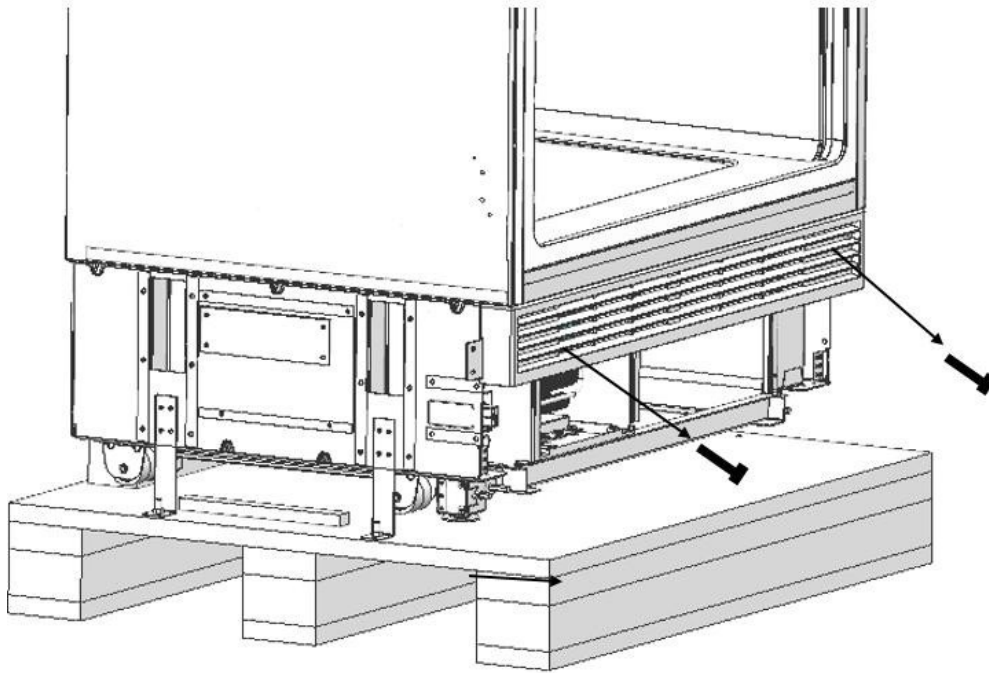
- Remove the 2 screws to take out the Lower Vent Hole Assembly.





## Removing the Upper Vent Hole Part

- Remove the 2 screws to take out the Upper Vent Hole Part.



## PRE-INSTALLATION

Continue to install the product according to the instructions below. Additionally, consider national and local instructions regarding installation.

Please observe the following:

- For the USA, The National Electrical Code, ANSI/NFPA 70 – last version/State or Municipality directives and/or regional directives.
- For Canada, The Canadian Electrical Code, C22.1 – last version/State or Municipality directives and/or regional directives.

### Mounting the Anti-Tip Brackets

#### WARNING:

You must definitely use Anti-Tip Brackets to prevent the appliance from tipping over.

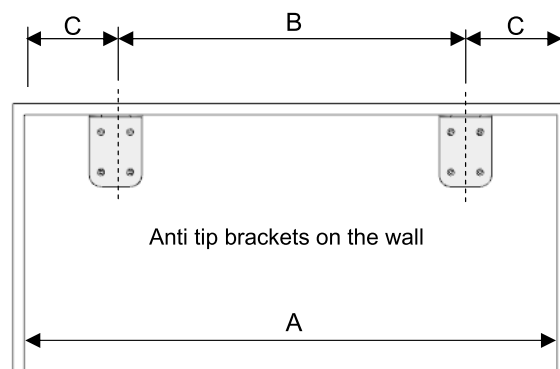
#### WARNING:

Make sure that there is no electrical or water connection where the screws will be tightened and connections will be established.

#### WARNING:

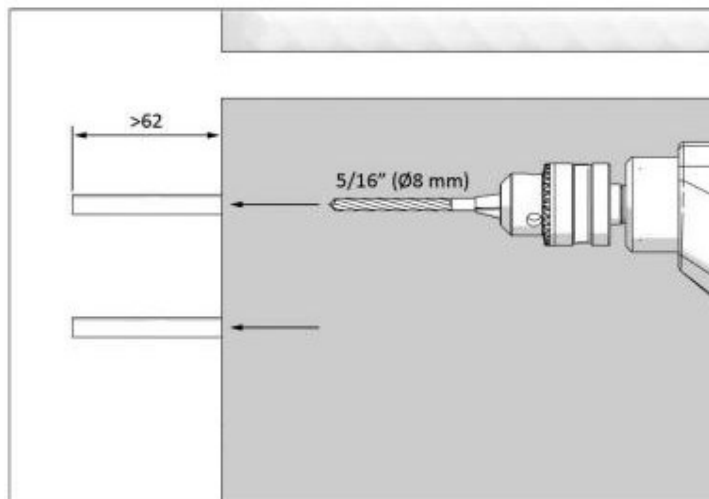
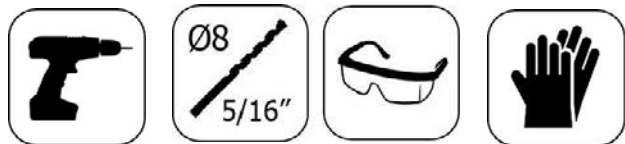
Please remember to use the necessary protective equipment when drilling holes on the wall and performing installation.

- Mark the wall for Anti-Tip Brackets (7).

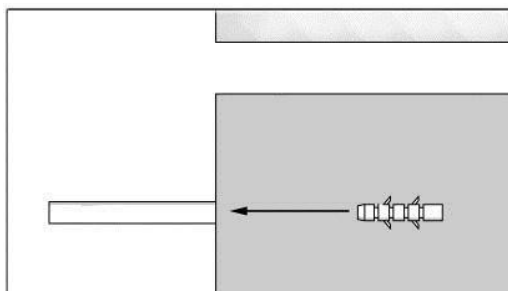


Category	KR300SD	KR360SD	KR365FD
A	30" (762mm)	36" (914mm)	36" (914mm)
B	23 5/8" (600mm)	23 5/8" (600mm)	23 5/8" (600mm)
C	3 3/16" (81mm)	6 3/16" (157mm)	6 3/16" (157mm)

- Use a drill to create holes for dowels (8) at the marked points. (5/16" -Ø8)

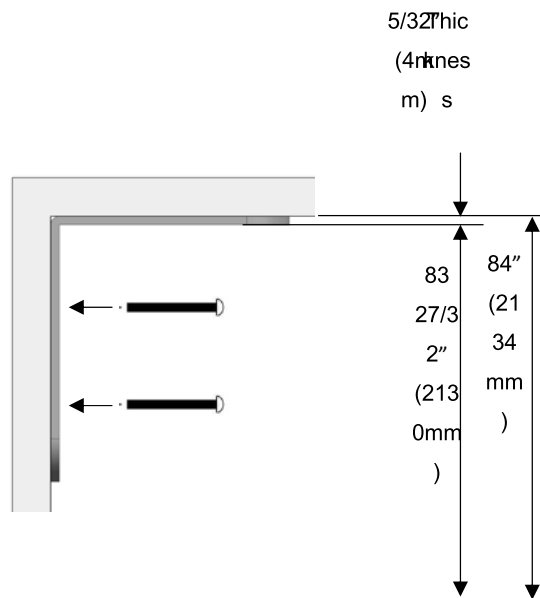


- Use the hammer to fit the dowels (8)



- Fit the brackets (7) into their places, using 4 screws for each.

You must use all of the 2 brackets to ensure safety of the product.



### WARNING:

If you are not sure whether the existing connection parts are fit to the wall as securely as they should be, you can use alternative anti-tip methods.

If there is furniture at the back wall of the refrigerator, please make sure that the furniture is fixed to the wall. For this, you need to be sure that the back wall of the furniture is fixed to the concrete back wall with suitable connection parts.

**Alternative anti-tip method:**

If the anti-tip brackets cannot be connected securely, you must use the alternative method below.

In this method, you can use wooden girders to avoid the risk of tipping over.

It must be installed as illustrated in the figure below.

There must be no clearance between the product and the wooden girder.

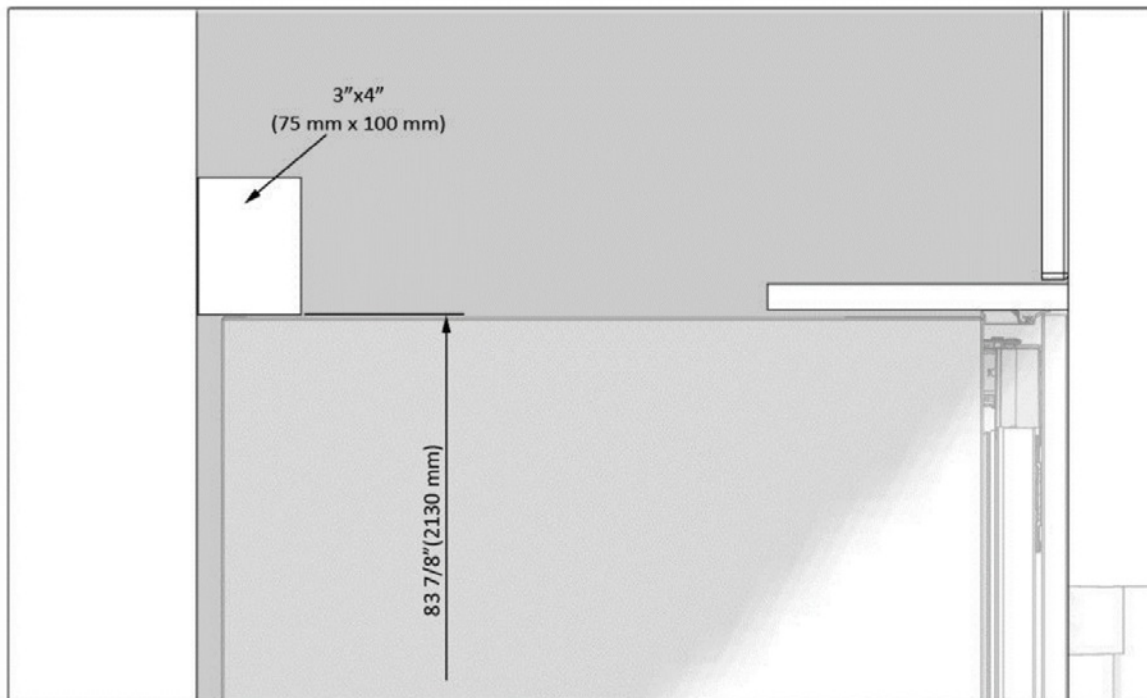
Minimum section dimensions of the wooden girder must be 3"x4" (75 mm x 100 mm). Width of the girder must be equal to the clearance where it will be installed.

An additional girder must be used if the niche depth is more than anticipated. The wooden girder must contact the product with a maximum size of 2" (50.8 mm).

To determine the location for the wooden girder, mark it on the rear wall, select suitable screws and connect safely.

 **WARNING:**

Number and features of the screws to be used for the wooden girder must be determined so that there is no safe connection.



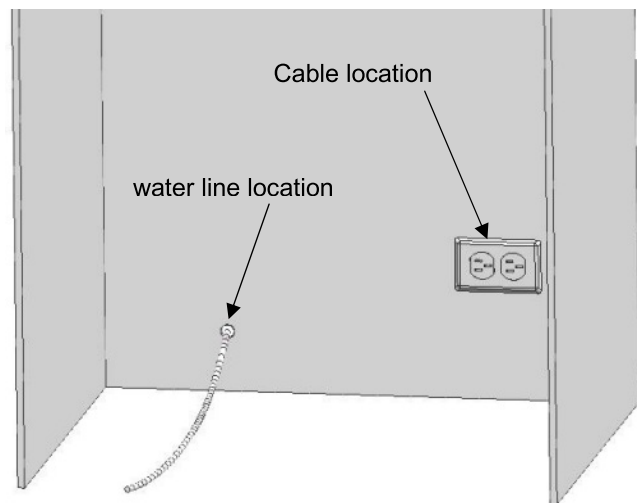
## Preparing the Water Hose and the Power Plug

You will need a hose with a minimum length of 60" (1.5 meters) and a diameter of ¼" for water connections of the product during installation.

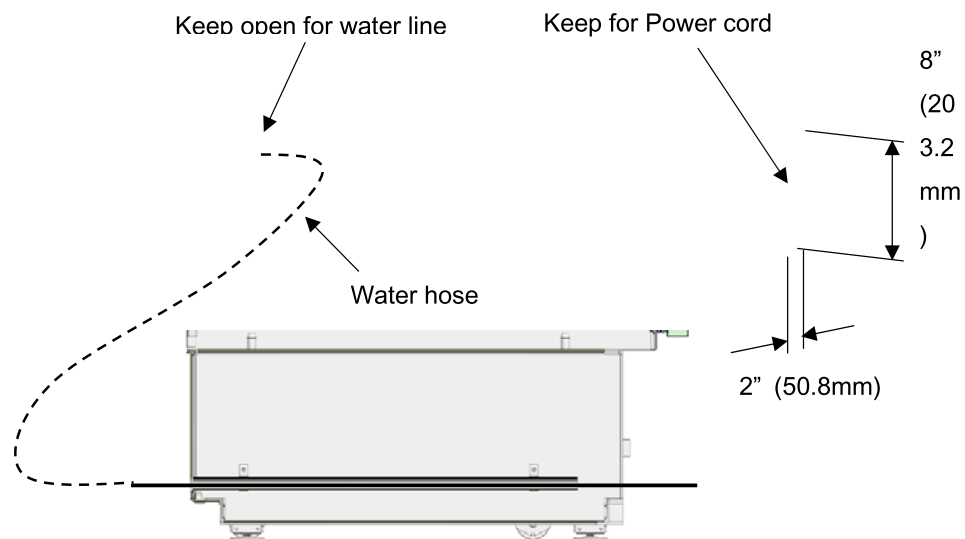
A connector that has a thread with an external diameter of ¼" must be used to connect the hose end to the product.

You can choose the method A or method B below to prevent the cable from getting jammed.

- Method A : Locate the water hose and power supply on the back



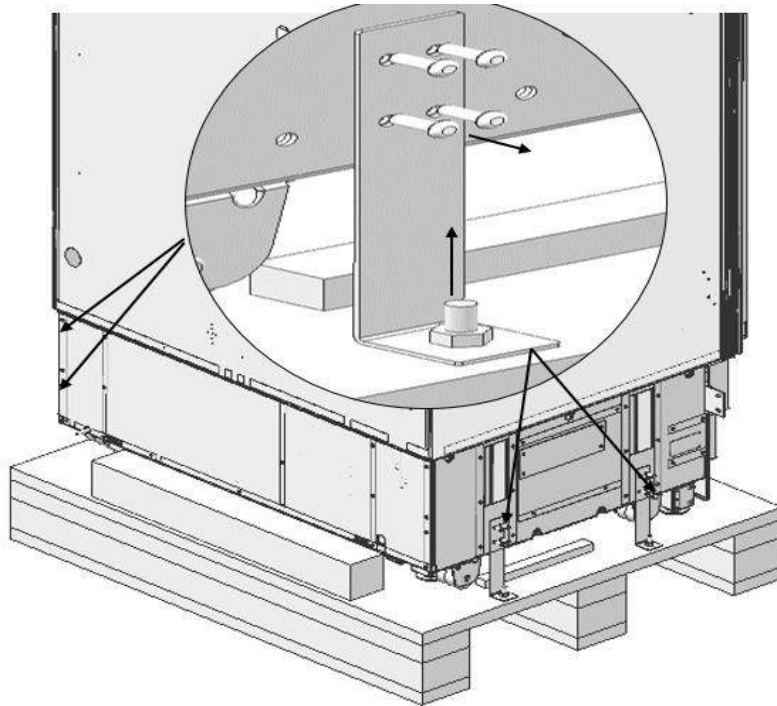
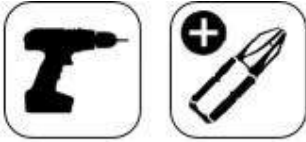
- Method B : Locate the water hose and power supply on the side



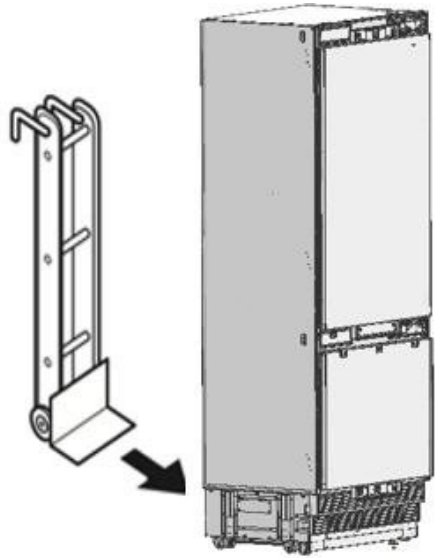
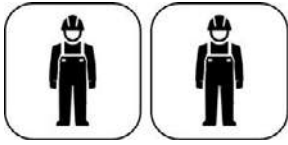
## INSTALLATION TO THE CABIN

### Taking the Refrigerator from the Wooden Pallet

- Remove the brackets that connect the refrigerator to the Wooden Pallet.



- Recline the refrigerator slowly and pull back with the help of the cart, and then land it.

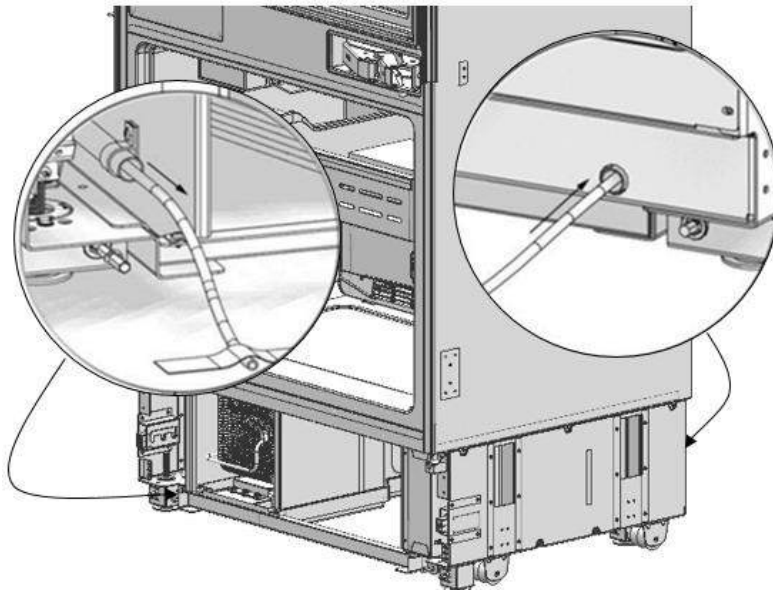


### **ATTENTION:**

The risk of tipping over is high as of this point. You should not open the doors until the product is placed into the cabin.

### **Placing the refrigerator into the cabin**

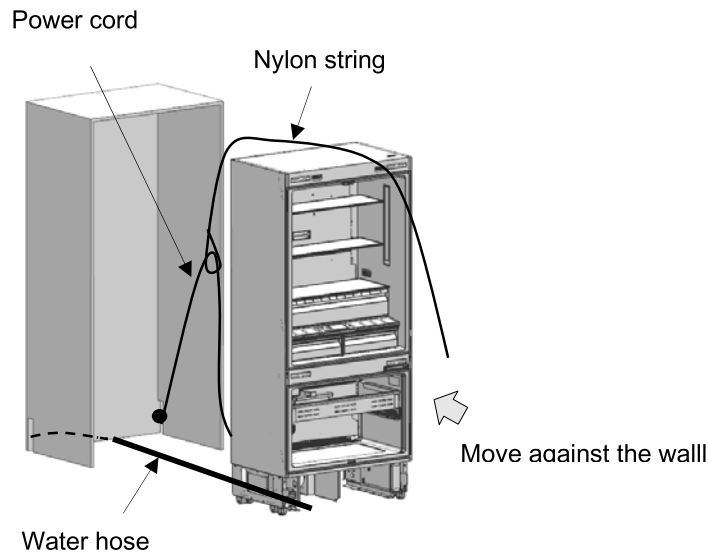
- Insert the mains water hose into the duct at the back and take it out from the front.





## **i** IMPORTANT INFORMATION:

- Apply the below method to prevent the cable from getting jammed.



- Start the refrigerator and make sure it is energized. (You can check if the lamps of the freezer compartment are on or off to see if the product is operating).

## **i** IMPORTANT INFORMATION:

You can use tape and similar protectors on parts you think this is necessary to protect the edges of the furniture when placing the product.

### **!** WARNING:

The plug of the product must be accessible after installation. If the plug is not accessible after installation, the power must be cut off from the main switch.

### **!** WARNING:

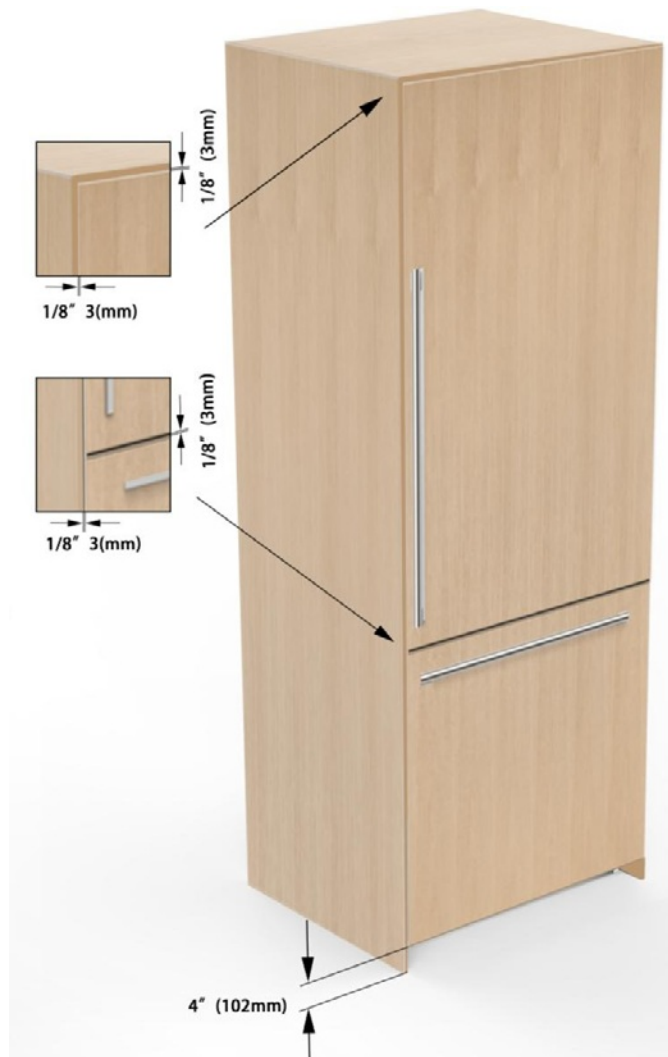
Make sure that the mains cable is not jammed when placing the product.

- Push the product carefully towards the cabin to place it. If there is strain during the placement of the product into the cabin:
  - The floor might be rough or uneven
  - Adjustable feet might be loose  
(please see the relevant section to learn how to adjust the adjustable feet)
- You must attach the Freezer Door temporarily to align the product before placing it.

You must use the upper edges of the Freezer Door when aligning the product with the furniture. Adjustment of other edges are explained in the following pages.

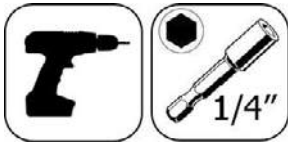
## IMPORTANT INFORMATION:

You must use the upper edges of the Freezer Door when aligning the product with the furniture. Adjustment of other edges are explained in the following pages.



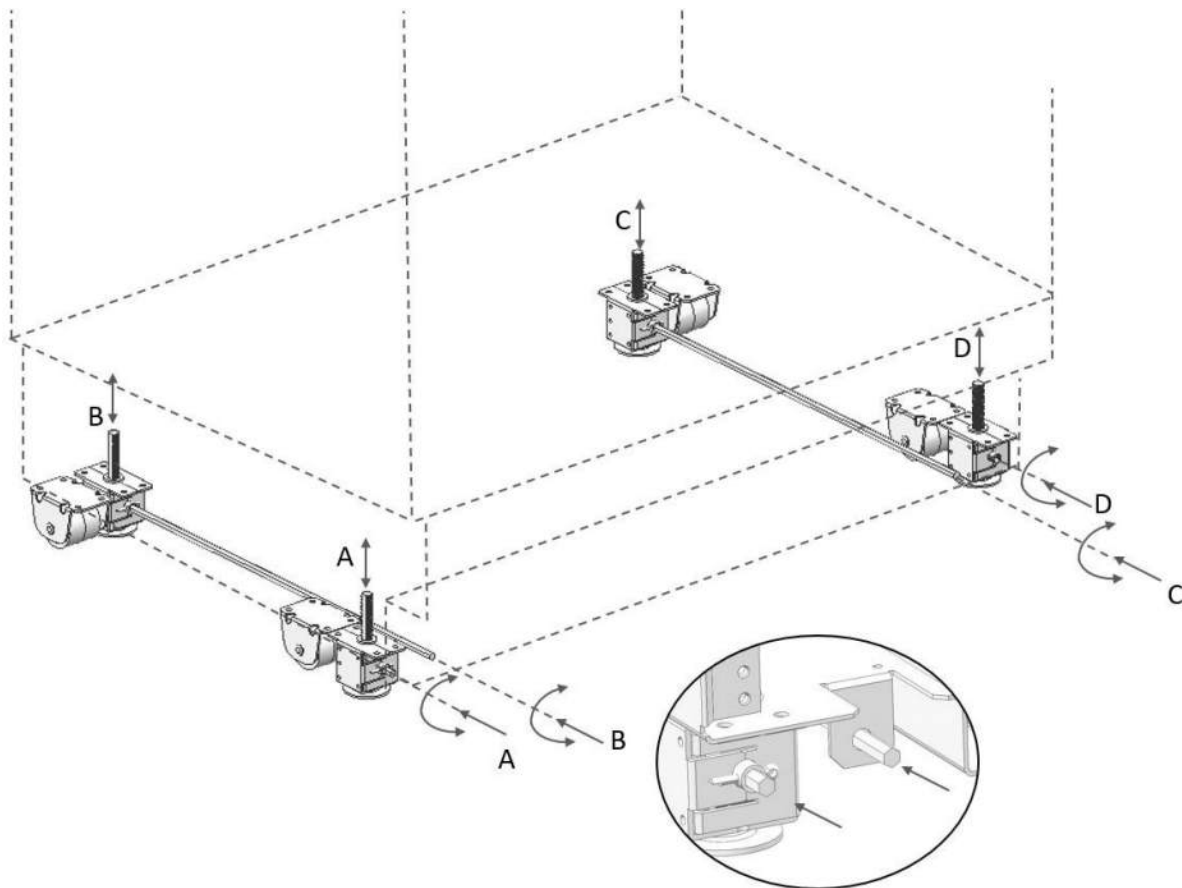
## Adjusting the height of the refrigerator in the cabin

- Adjust the refrigerator height using the adjustable feet.



### WARNING:

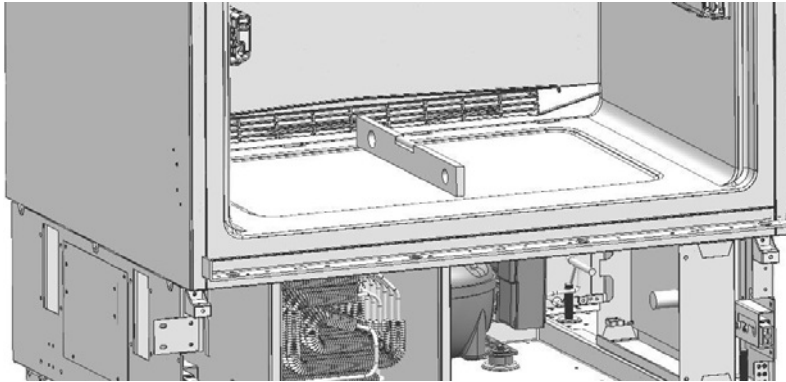
First of all, raise the front feet to reduce the risk of the cabin falling forward.



A/D – Turn the key clockwise to lift the front

B/C – Turn the key clockwise to lift the rear

- After adjusting the adjustable feet, check the flatness in both width and depth directions.

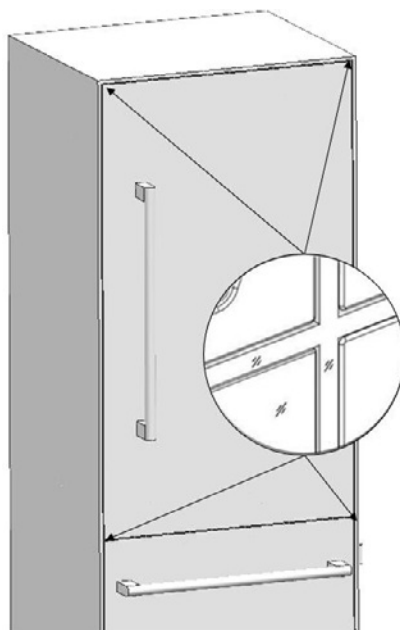


The maximum height that the adjustable feet can reach is 1 9/16" (40 mm) and the product height is 85 3/8" (2,169 mm)

## IMPORTANT INFORMATION:

### Adjusting the refrigerator according to the cabin flange

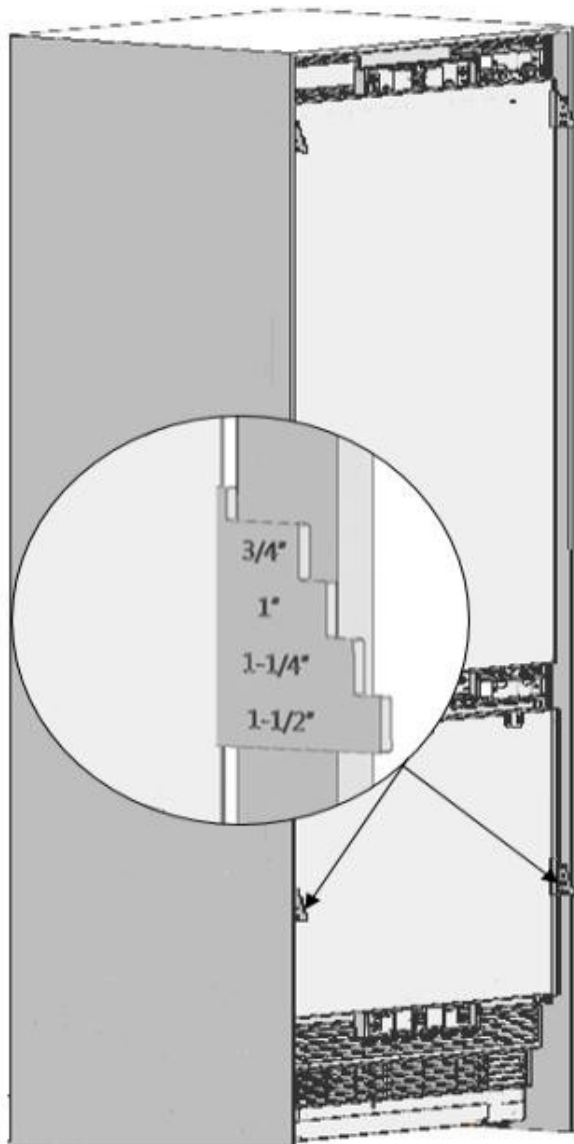
- For products with clad doors, the position of the Refrigerator is adjusted so that the door and the furniture surface are flush. You can also use gage (Item No10) if necessary.



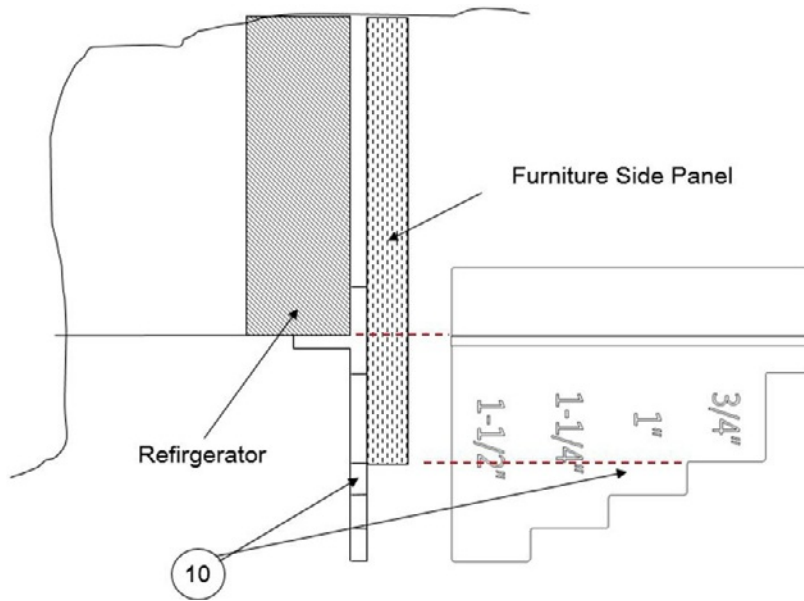
- For products without clad doors, the product is placed using the Adjustment part (Item No10) as shown in the figure below.

## IMPORTANT INFORMATION:

It is very important to align the upper edge of the Freezer door when aligning. All the other edges can be adjusted with the adjustment mechanisms.



- Position of the level adjustment part (10) must be adjusted according to the thickness of the door. It can adjust the level for 4 different door thickness levels.

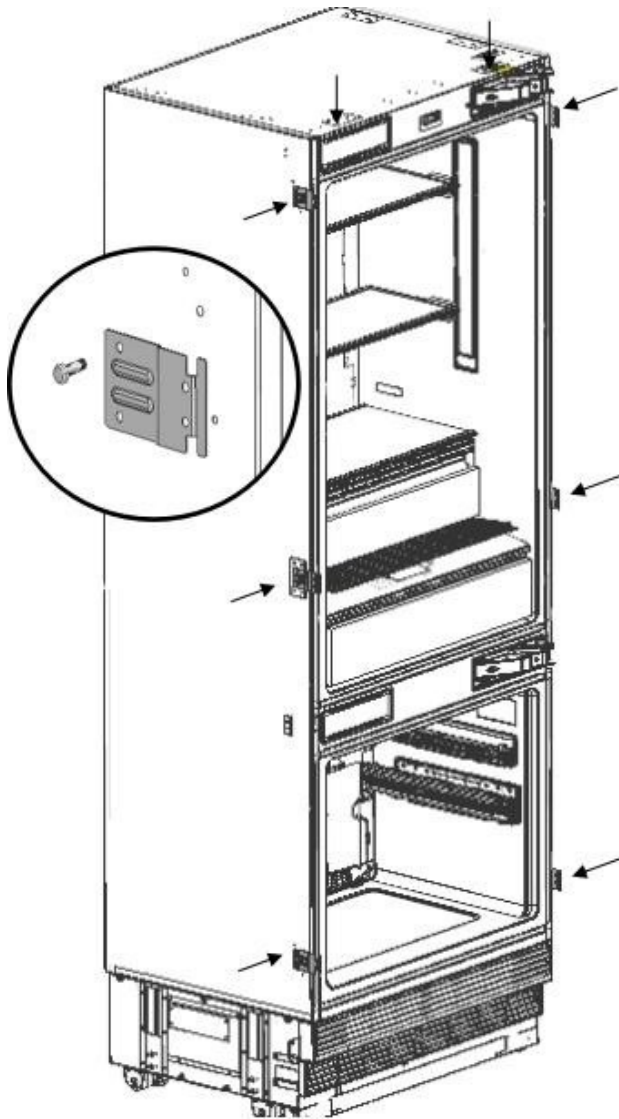


## Screwing the side brackets

- Attach the Side Brackets to the furniture with 12 screws (Item No11) for each bracket.
- Fix the brackets (Item No17) to the unit, where 2 on the top, and 3 on every side.
- Use the screws (Item No18) to tighten.
- Use the 12 long screws (Item No16) to join the product and the cabinet.

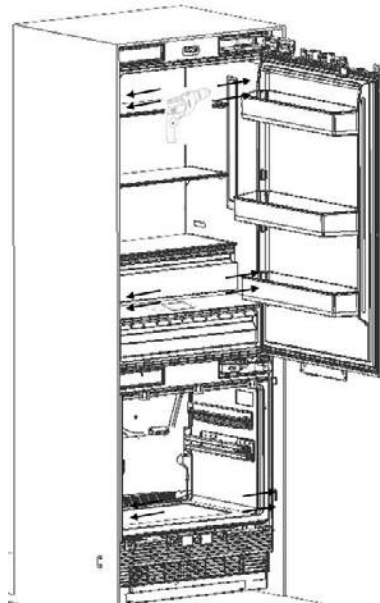
### WARNING:

Before starting to screw the Side and Upper brackets, please make sure that water is supplied to the product and there is no water leakage.



## **i** IMPORTANT INFORMATION:

If you have difficulty tightening the screws, opening a reference hole with the drill will make this procedure easier.

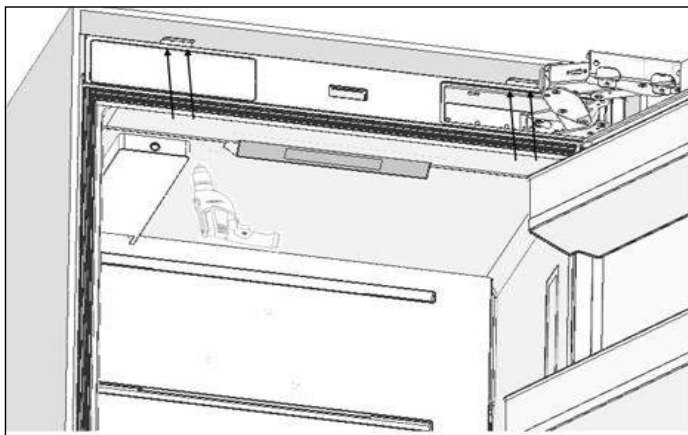


### **Screwing the upper bracket**

- Attach the upper bracket to the furniture with 4 screws (Item No16).

## **i** IMPORTANT INFORMATION:

If you have difficulty tightening the screws, opening a reference hole with the drill will make this procedure easier

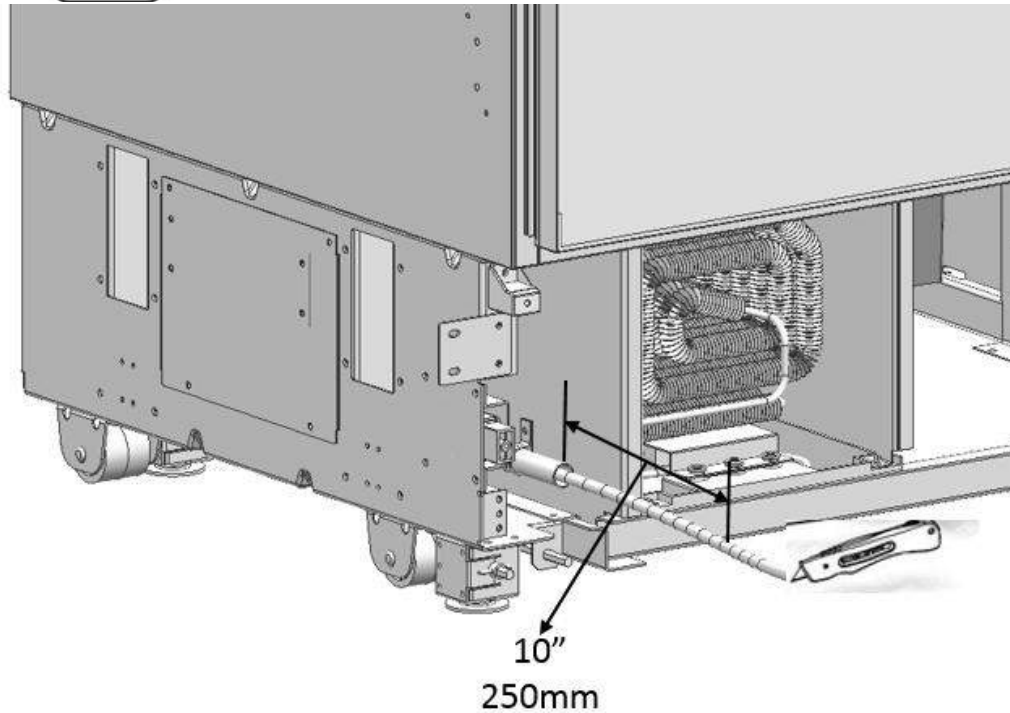
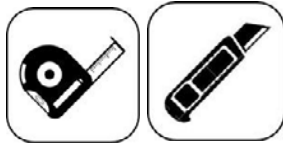




## INSTALLING THE CABIN BOTTOM

### Water connection

- Use the box cutter to cut the water hose from the end of the pipe it comes out, leaving a section of 10".



- Use the 2 wrenches to firmly connect the hose coming from the mains and the hose coming from the valve.

### WARNING:

The hose coming from the mains must be one piece. Do not use extension hoses.

### WARNING:

Make sure that the power is cut off when making the water connection of the product.

### WARNING:

The water valve must be off when connecting the water hose.

### WARNING:

It is recommended that the water on/off valve remains accessible after installing the product.

### WARNING:

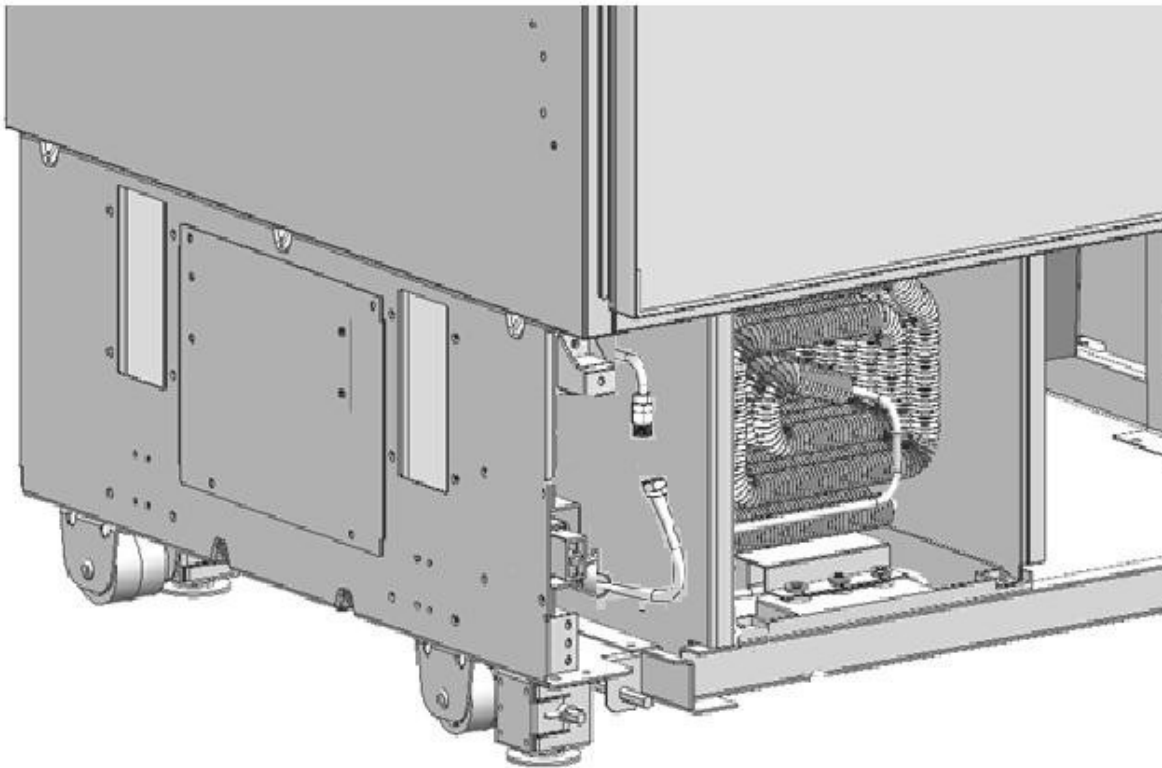
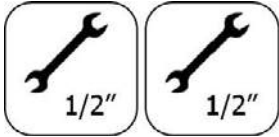
This product is suitable for use with cold water mains only.

 **WARNING:**

Pressure of the water system must be between 25-80 psi (1.7-5.5 Bar).

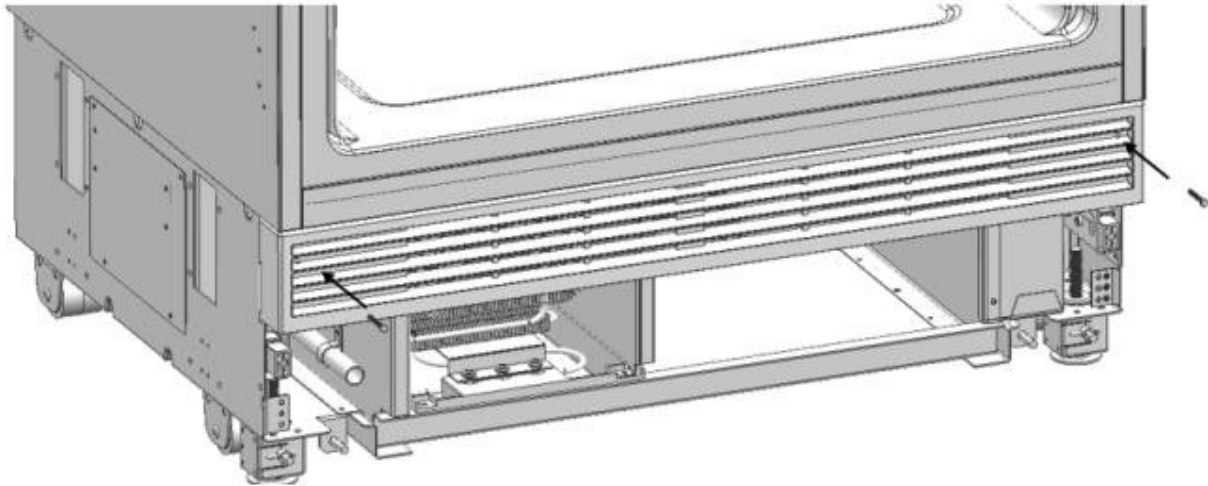
 **IMPORTANT INFORMATION:**

Once the connection is complete, you must turn on the mains valve and make sure that there is no leakage at that point.



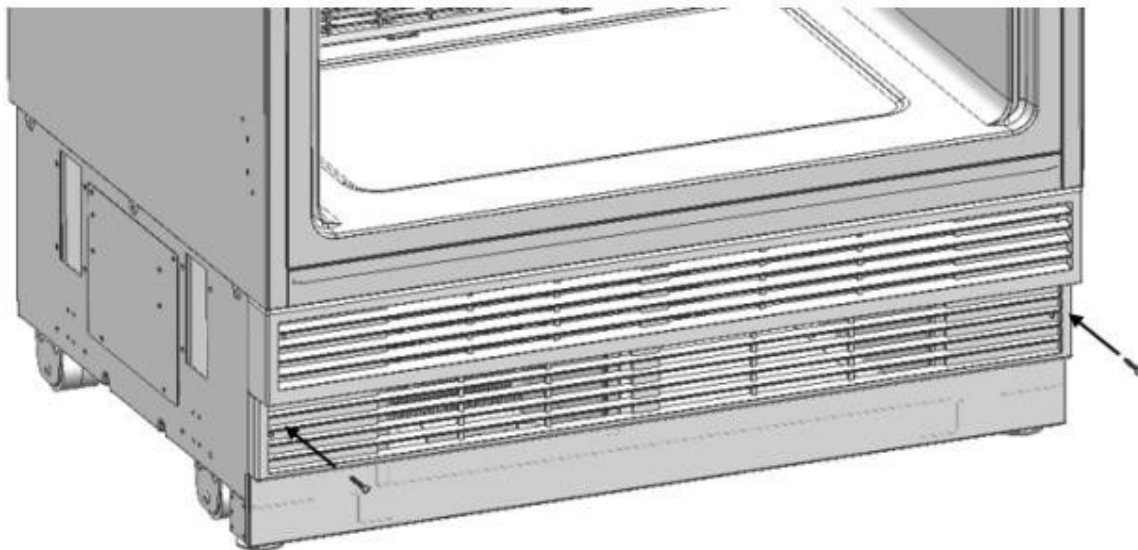
### Attaching the upper vent hole part

- Use 2 screws to attach the upper vent hole part.



### Attaching the lower vent hole assembly

- Use 2 screws to attach the lower vent hole part.



### IMPORTANT INFORMATION:

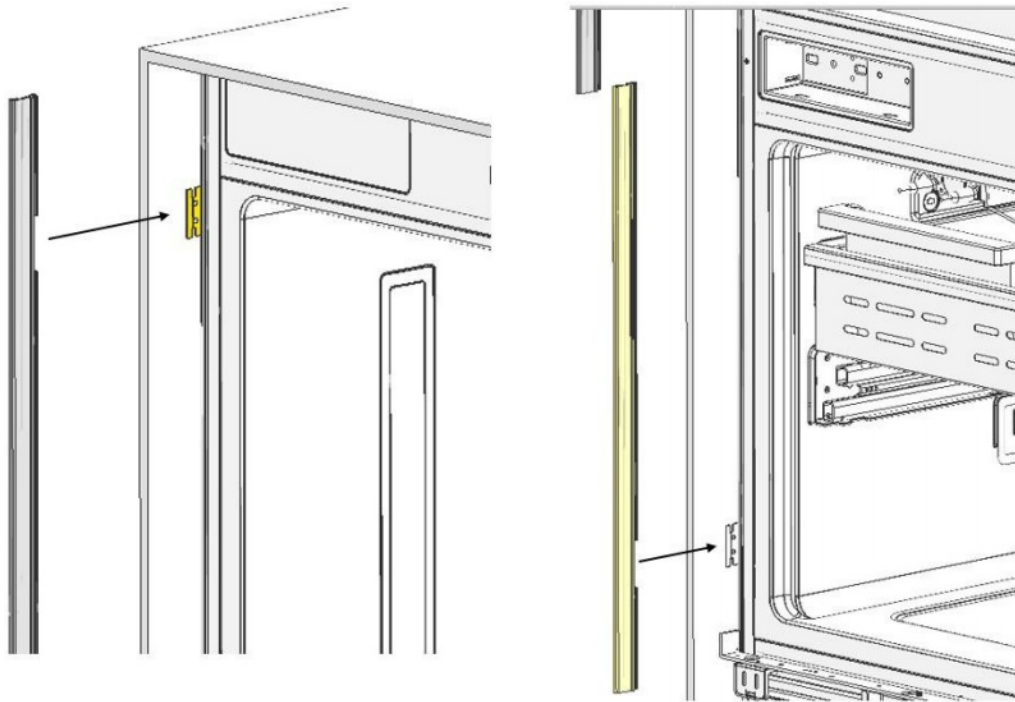
You can move the lower vent hole forward-backward to adjust it to the kick plate in the kitchen.

### WARNING:

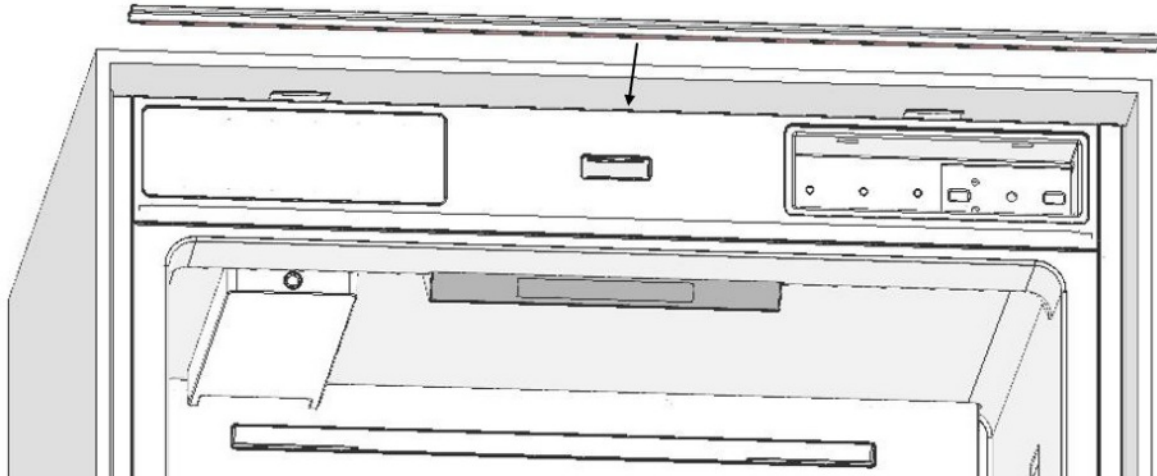
Forward-backward travel distance of the lower kick plate must be 15/16" (23 mm). As you can see in the figure, the decorative kick plate must not be in front of the upper vent hole level.

## Attaching the decorative parts

- Attach the side closing parts (1) onto the right/left connection brackets.



- Attach the upper closing part (4) onto the upper connection bracket.



## FURNITURE DOOR PREPARATION

This section contains information about preparing the furniture doors and mounting them to the product.

### WARNING:

Maximum weights of the furniture to be mounted to the product are as follows.

Fridge Door: 35.7 lbs. (16.2 kg)

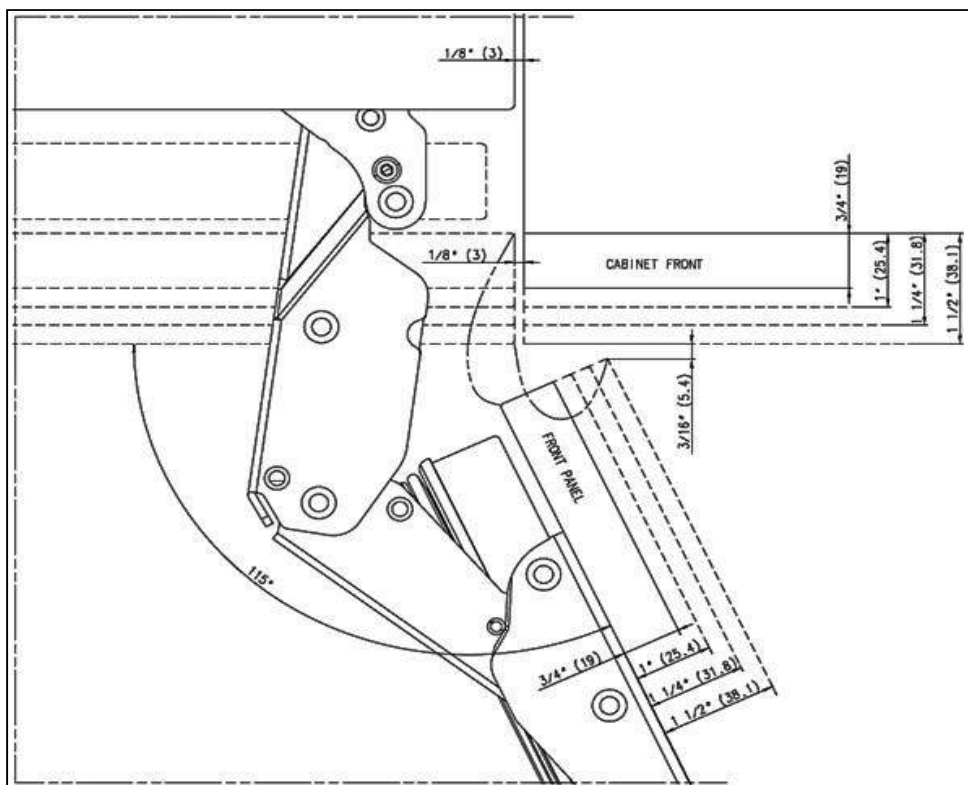
Freezer Door: 19.8 lbs. (9 kg)

### Choosing the Door Thickness

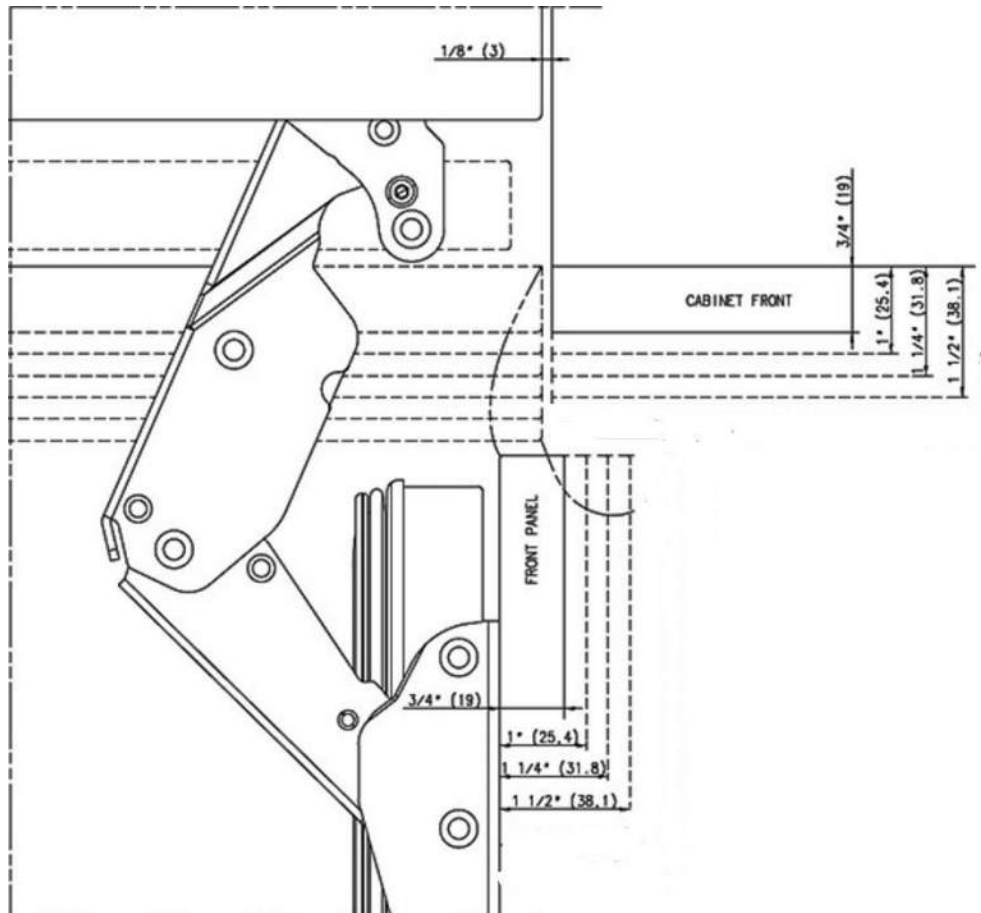
- The door of your refrigerator can open by 115° maximum. If the door is going to open to this degree, you can choose the following thickness levels.

### WARNING:

If the door thickness is more than 1 1/2" (38 mm), the door should not open more than 90°. You must use a limiting pin on the hinge.

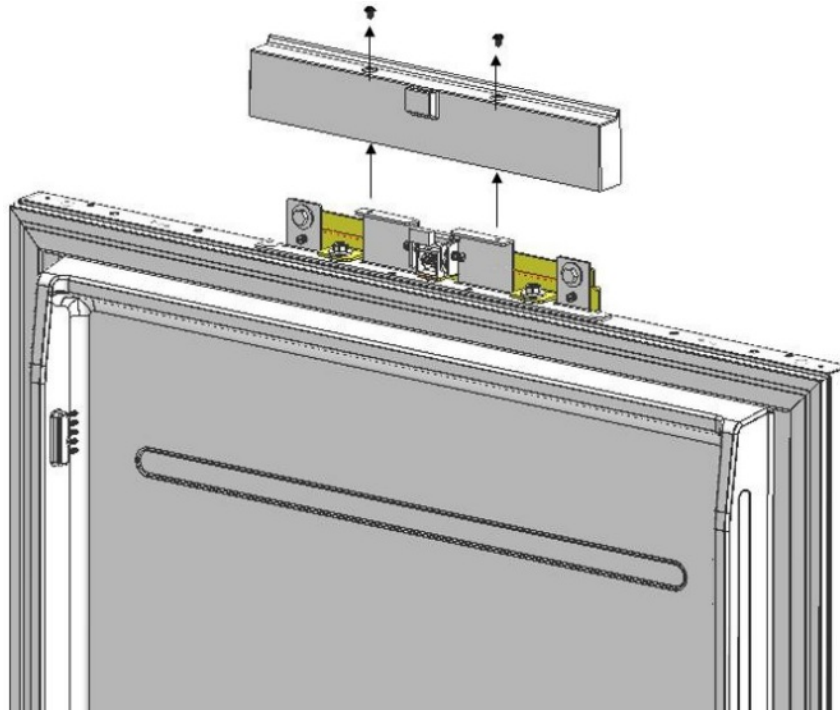
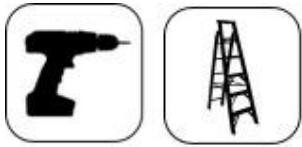


- You can limit the opening degree of your door to 90° if you want. In this case, the door thickness levels can be like the following (you can look at the relevant section to learn how to attach the 90° limiting pin).



## Removing the Mechanism Covers

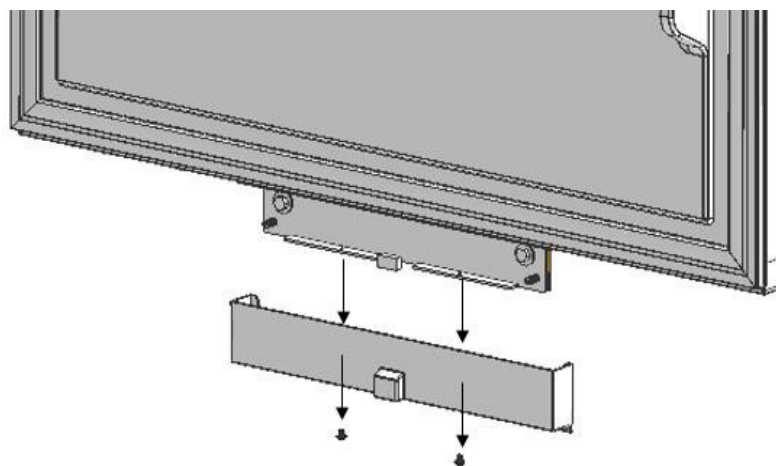
- Remove one screw to take out the FF Upper Cover.



### WARNING:

There is a magnet on the cover door hanger bracket. This is a functional part for the operation of the product. It should not be confused with the lower cover.

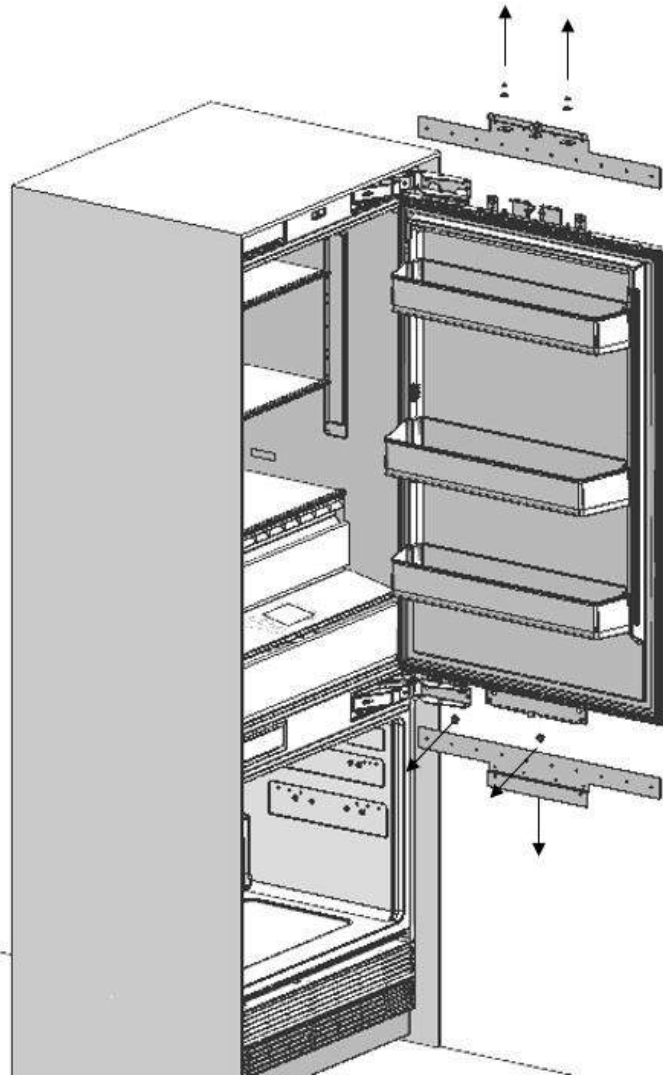
- Remove two screws to take out the cover door hanger bracket.



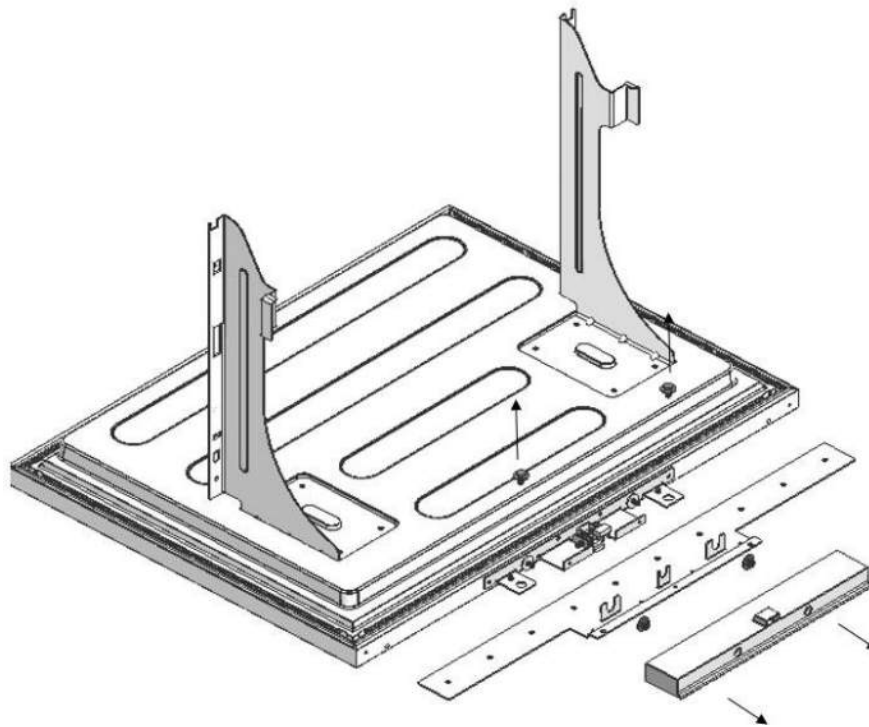


## Removing the Panel-Adjustment Mechanisms on the Refrigerator

- Remove the Upper and Lower Adjusting Mechanism Assemblies from the FF Door.



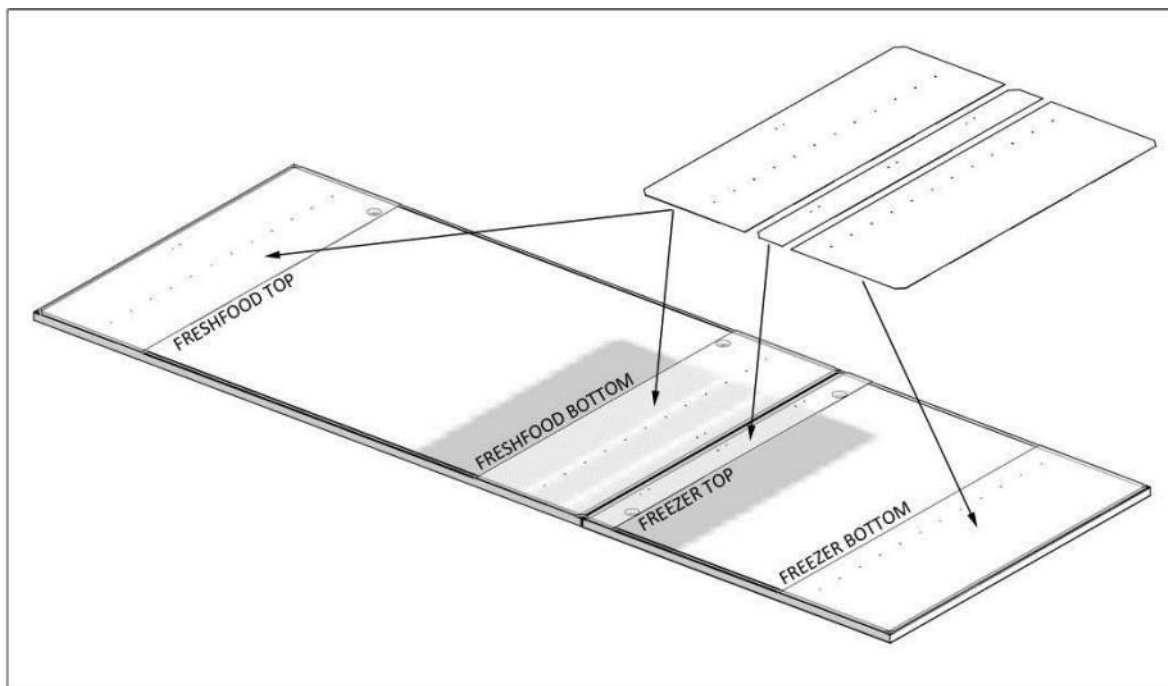
- Remove the Panel-Adjustment Mechanisms from the lower part of the freezer Door.



## Preparing Furniture Door

### **i** IMPORTANT INFORMATION:

You must take the dimensions into account when grouping the cradle parts on the furniture door. When marking, you can use the "Furniture door preparation template" (Item No 6) provided with the product.



### **!** WARNING:

Handle connection holes must be adjusted according to the handles to be used in kitchen design.

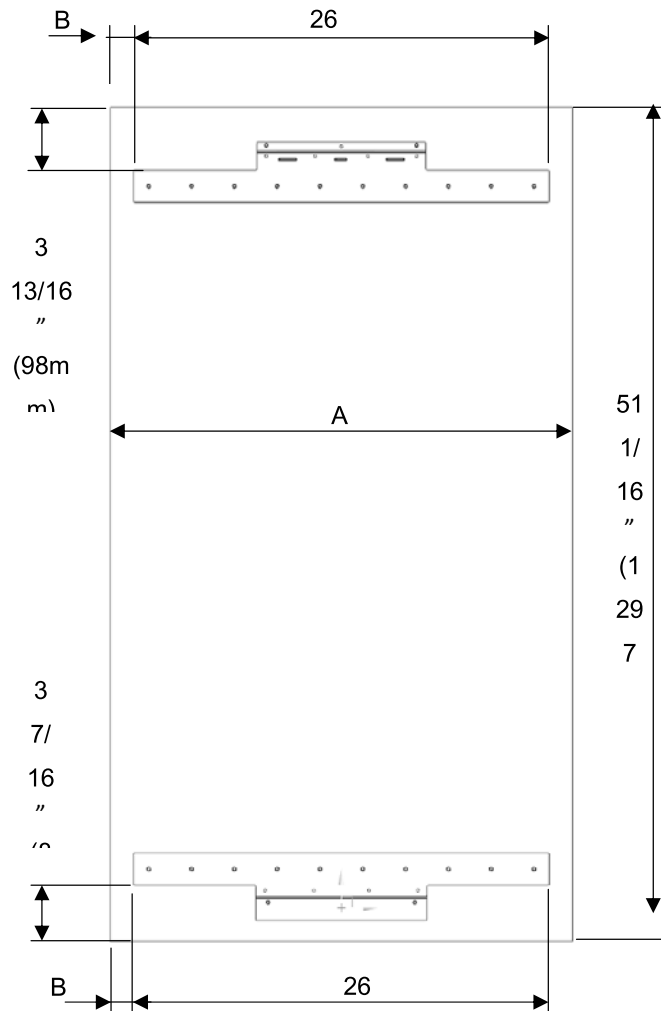
### **!** WARNING:

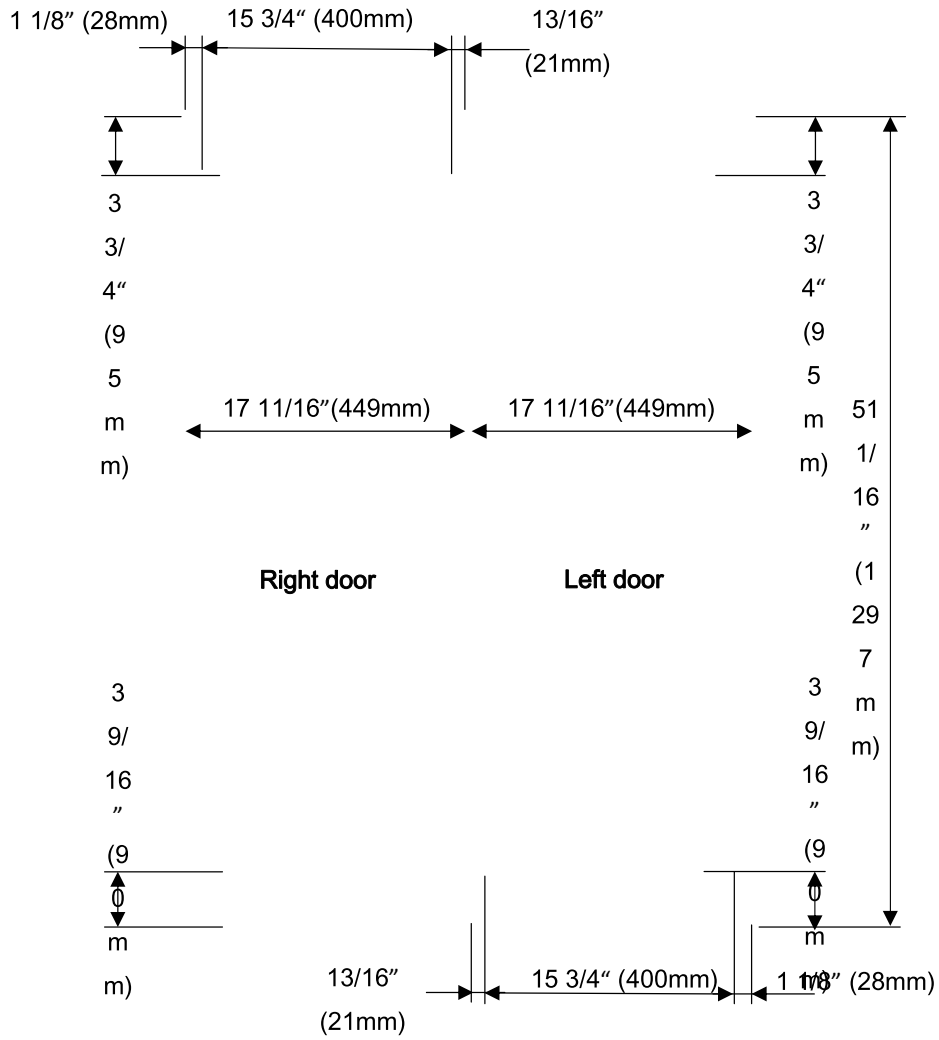
Minimum thickness of the door must be  $\frac{3}{4}$ " (19mm).

A	29 3/4" (756mm)	35 3/4" (908mm)
B	1 7/16" (38mm)	4 7/16" (114mm)

## Preparing the Fridge Furniture

Door



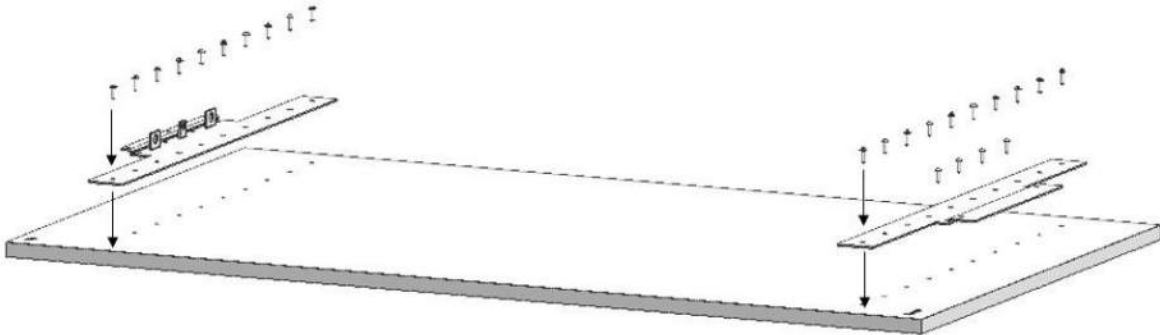


**KR365FD**

 **WARNING:**

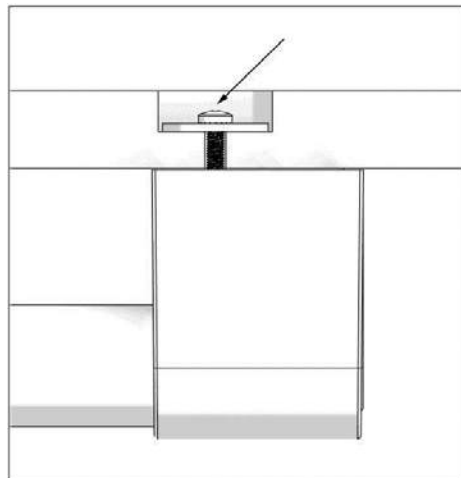
You must use screws suitable for the door thickness.

- Install 2 cradles using the chipboard screws (Item No23). You can also use the template (Item No 6) provided with the product to align these parts. It is recommended to keep this template for future reference.

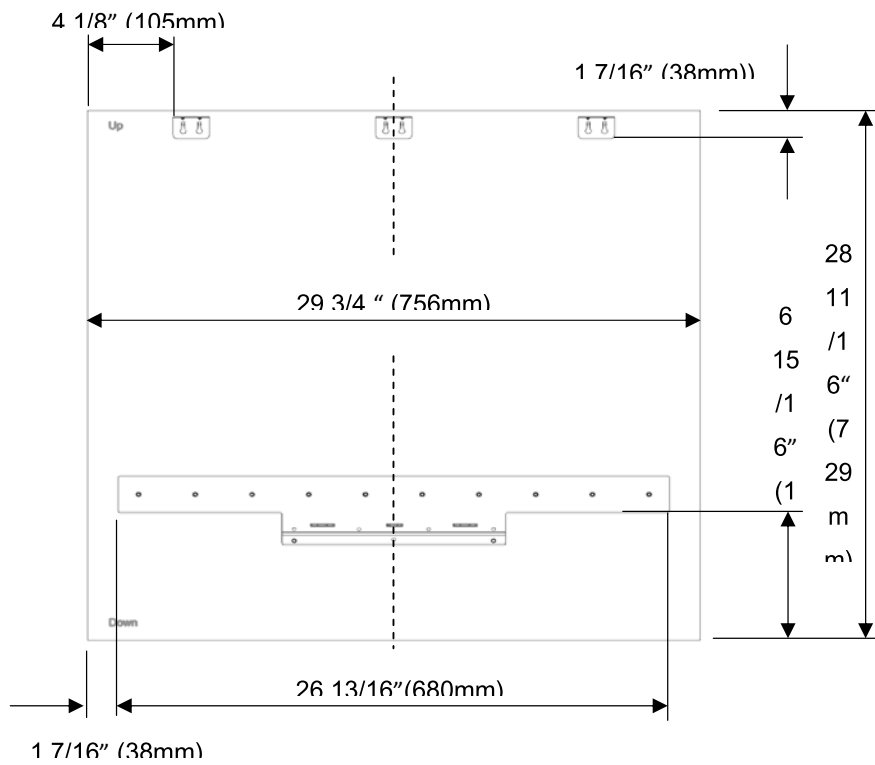


- Attach the FRZ door handle.

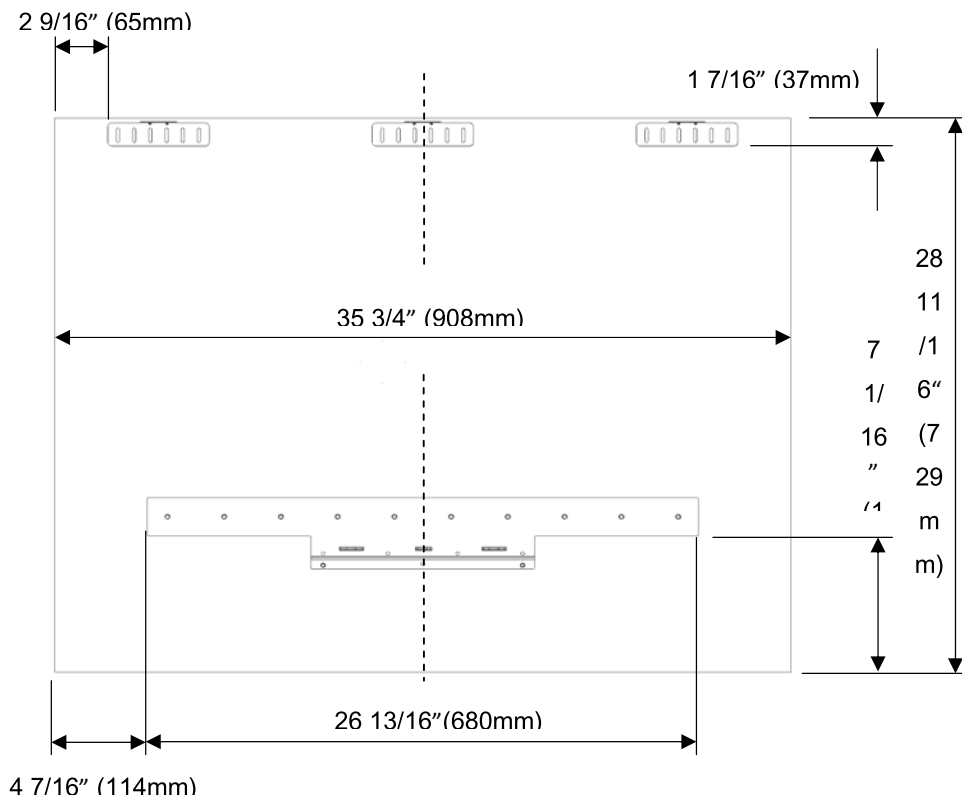
Screws holding the door handle must not protrude.



## Preparing the Freezer Furniture Door



**KR300SD**



**KR360SD**  
**KR365FD**

## WARNING:

Handle connection holes must be adjusted according to the handles to be used in kitchen design.

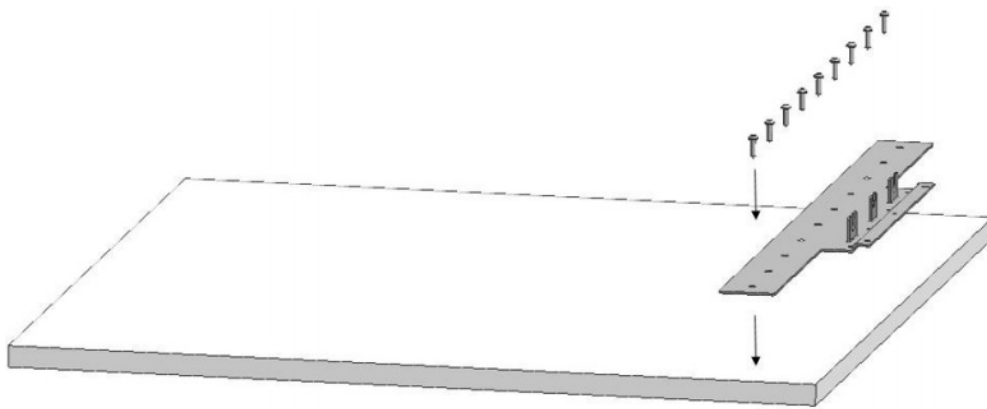
## WARNING:

Minimum thickness of the door must be  $\frac{3}{4}$ " (19 mm).

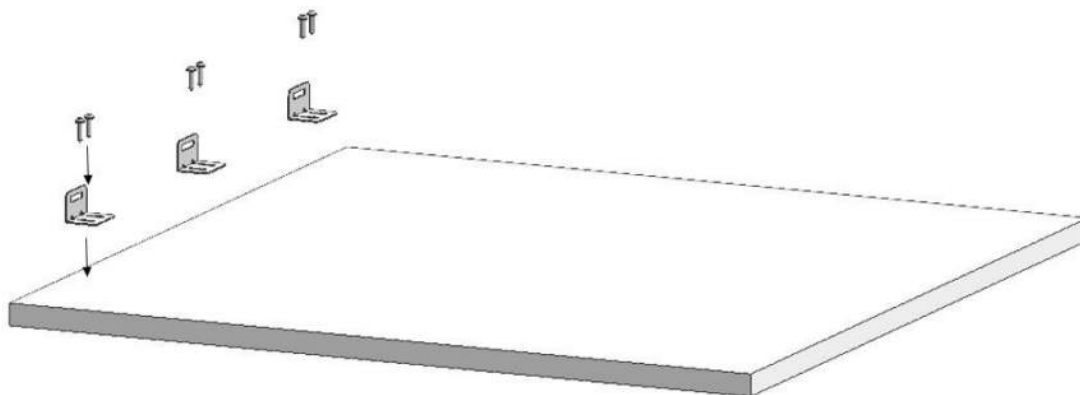
## WARNING:

You must use screws suitable for the door thickness.

- Install 1 cradle using the chipboard screws (Item No23). You can also use the template (Item No 6) provided with the product to align these parts. It is recommended to keep this template for future reference.



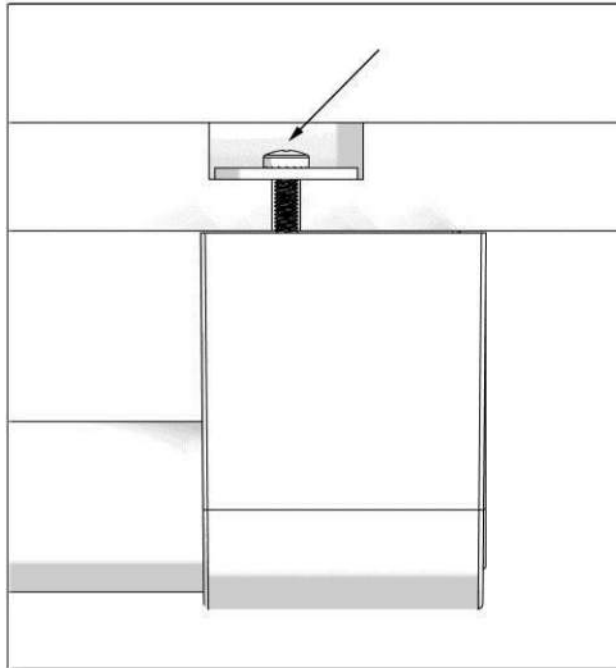
- Attach 3 sheet metal brackets (Item No14) using 6 screws (Item No15) foreach.



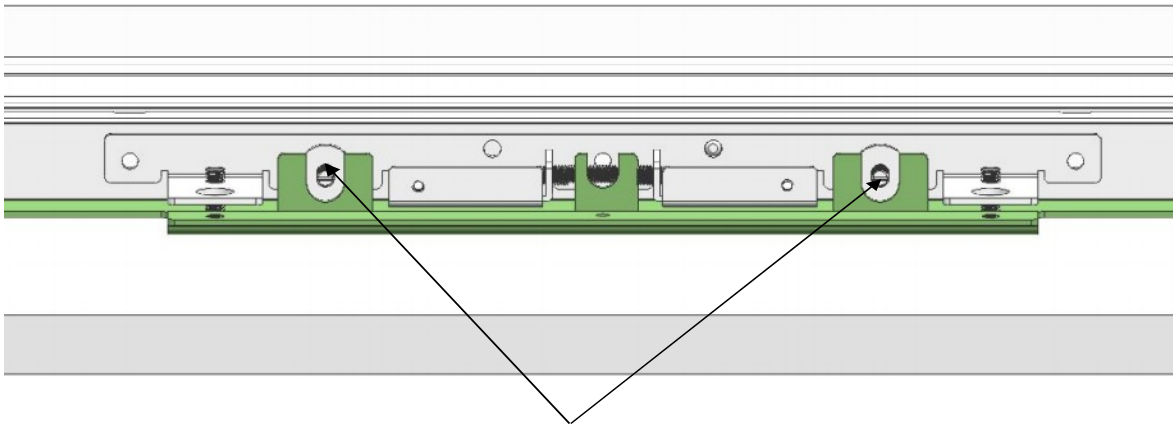
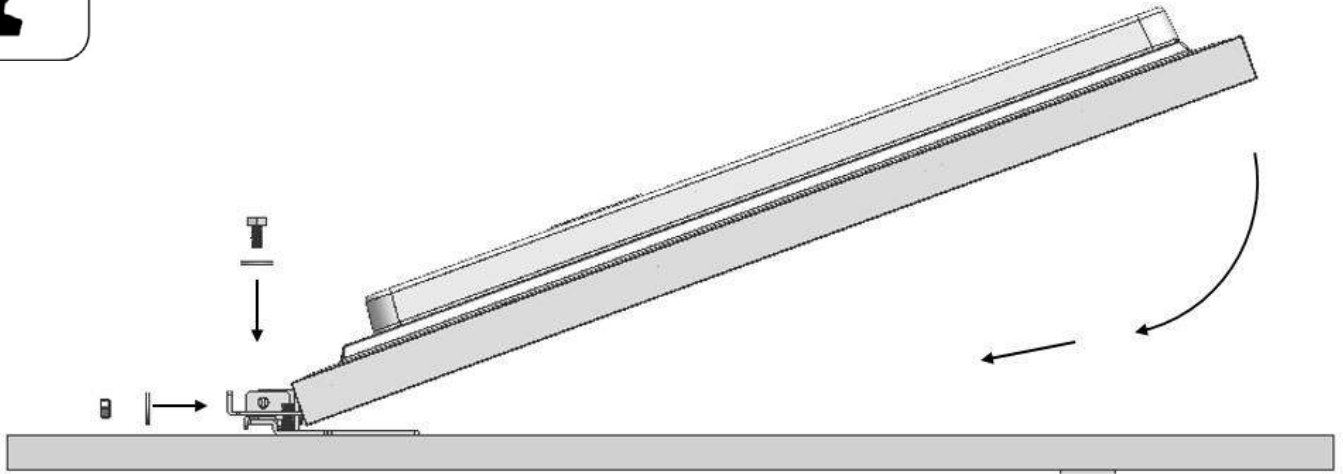


- Attach the FRZ door handle.

Screws holding the door handle must not protrude.

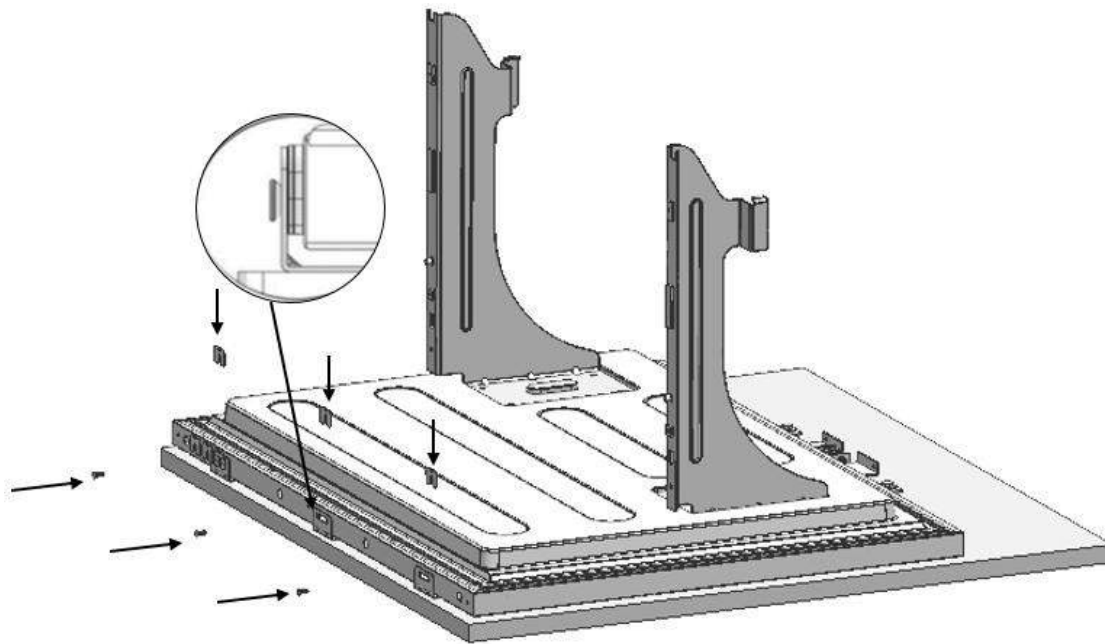


- Lay down the furniture door, and place the freezer door onto it
- Put the screws back but do not tighten



Holes are in line

- Use the 3 screws (Item No13) to fix the bracket. the washers (Item No12) are provided in case of need.
- Tighten the screws once the furniture door and the freezer door is perfectly attached.



A total of 3 mm washers must be placed on the FRZ Door on the condition that all furniture dimensions are suitable.

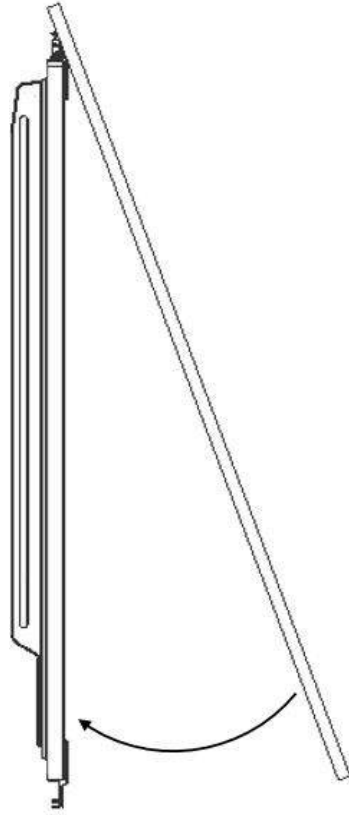
Washers to be used are determined based on the kitchen design.

### **WARNING:**

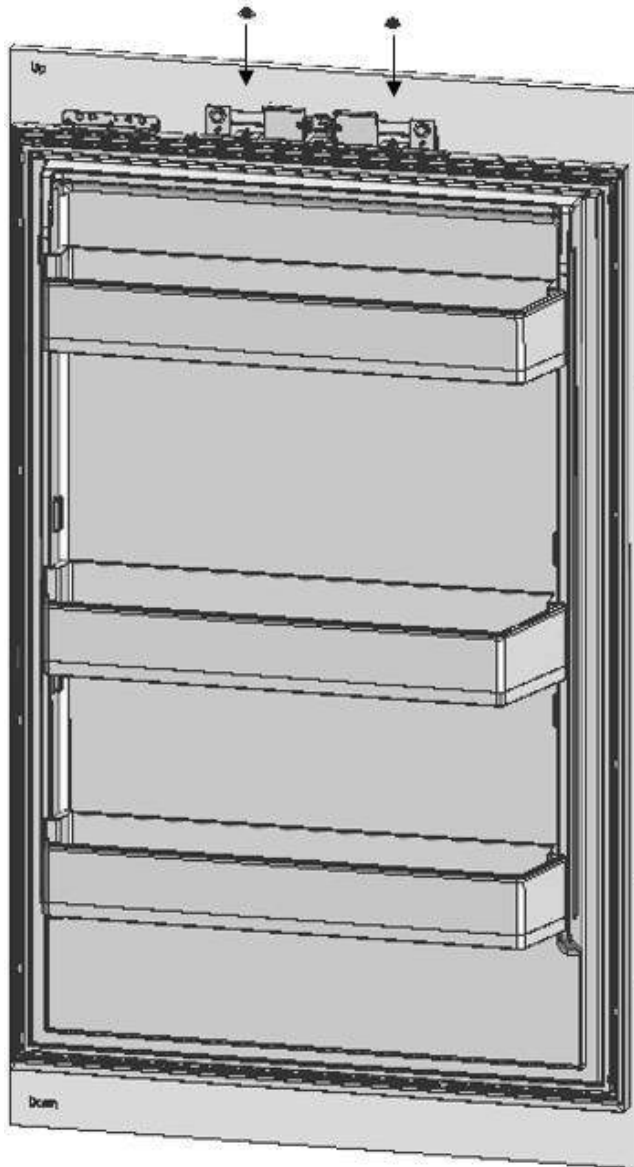
You will find more Crescent Washers than you need in the mounting box. You can use them if your kitchen design requires so.

## Installing the Fridge Furniture Door

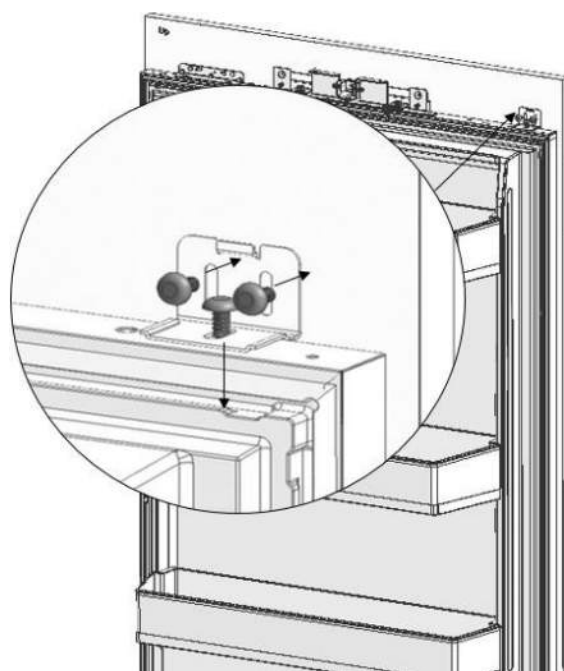
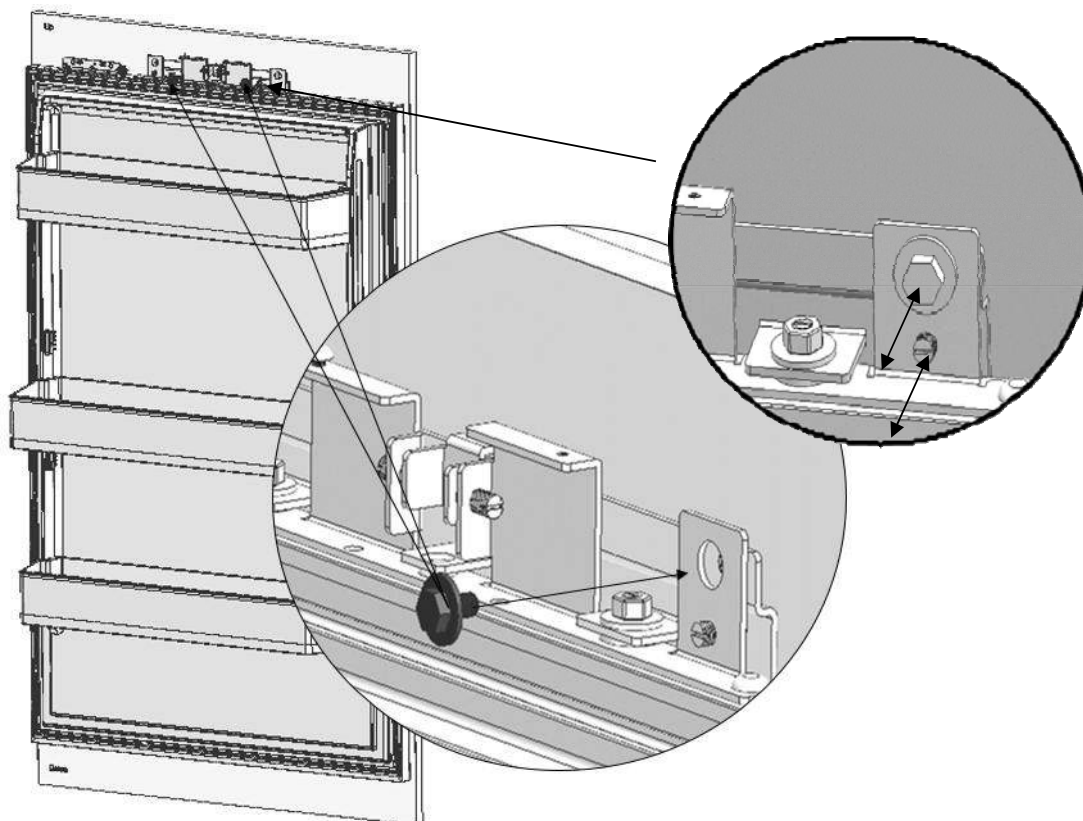
1. Attach the furniture door to the fridge door



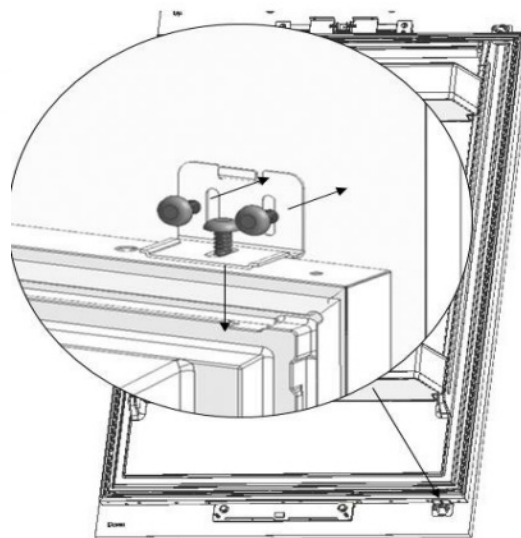
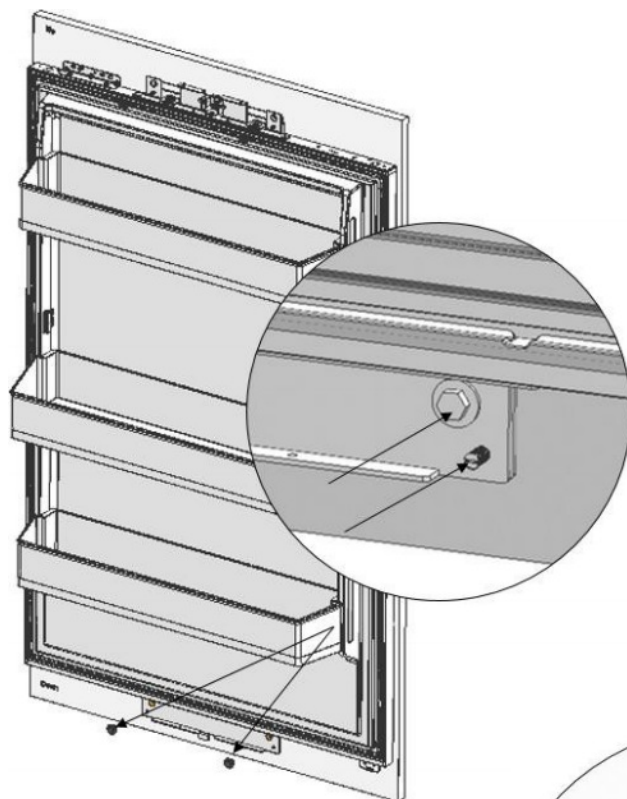
- Use the two screws removed from here to fix onto the adjusting bolts



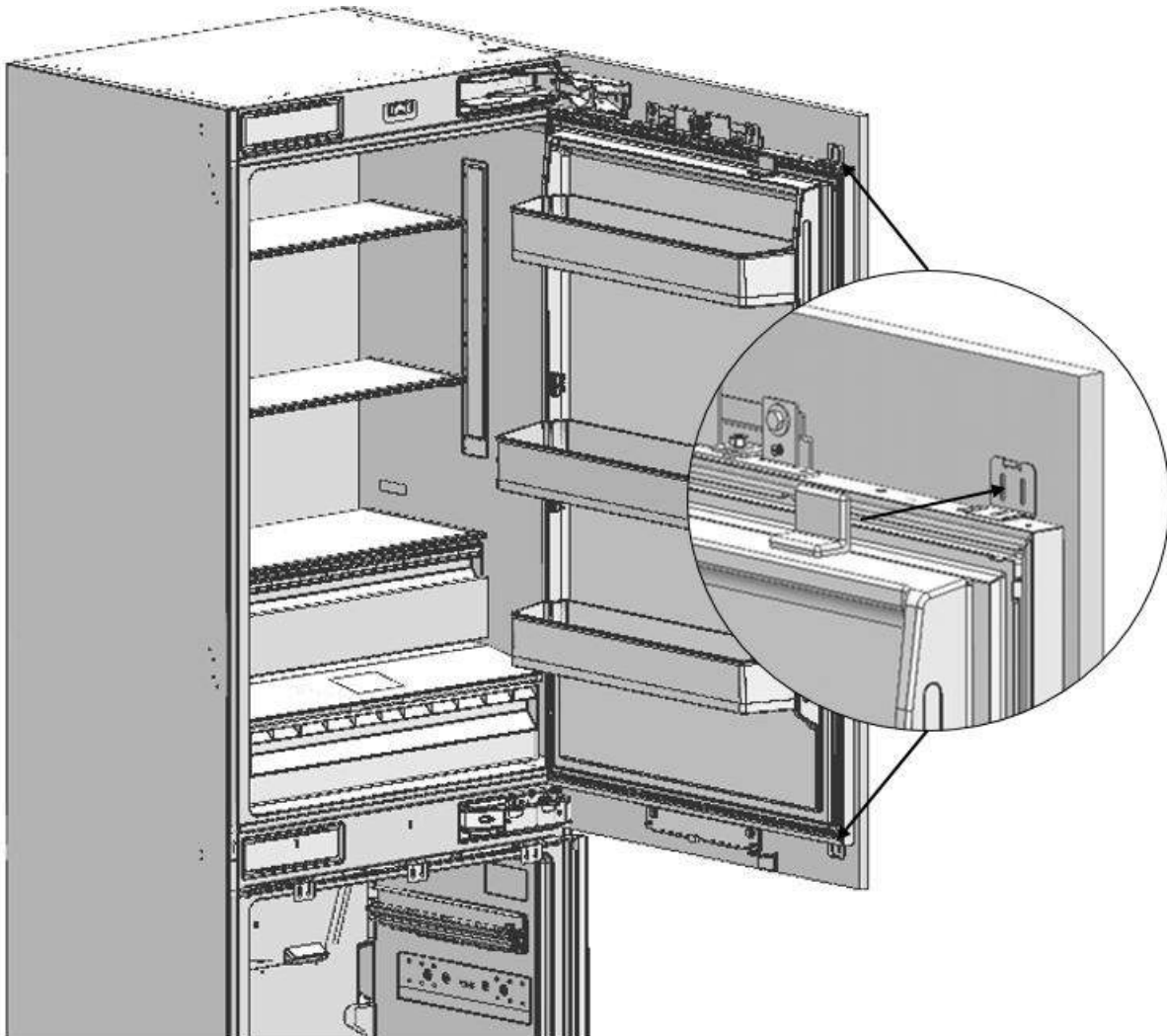
- Adjust from lower part of the door with 2 screws removed from here together with 2 slotted screws.
- Use the bracket (Item No21) to join the furniture door and fridge door, use 2 screws (Item No20) and 1 screw (Item No22) to fix.



- Adjust from lower part of the door with 2 screws removed from here together with 2 slotted screws.
- Use the bracket (Item No21) to join the furniture door and fridge door, use 2 screws (Item No20) and 1 screw (Item No22) to fix.

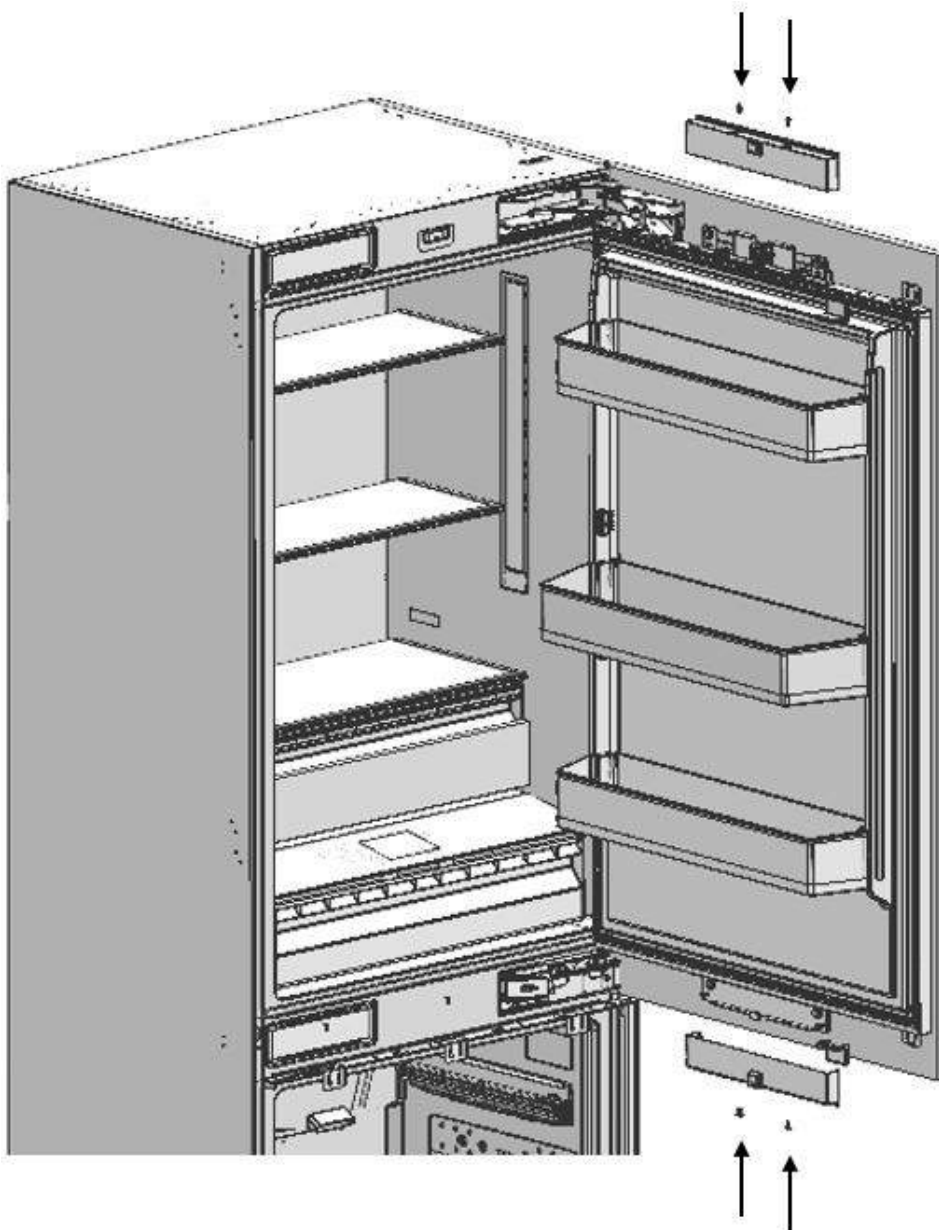


- Clip the decoration cover (Item No19)





- Use the 4 screws removed from here to fix the upper/lower decoration cover.

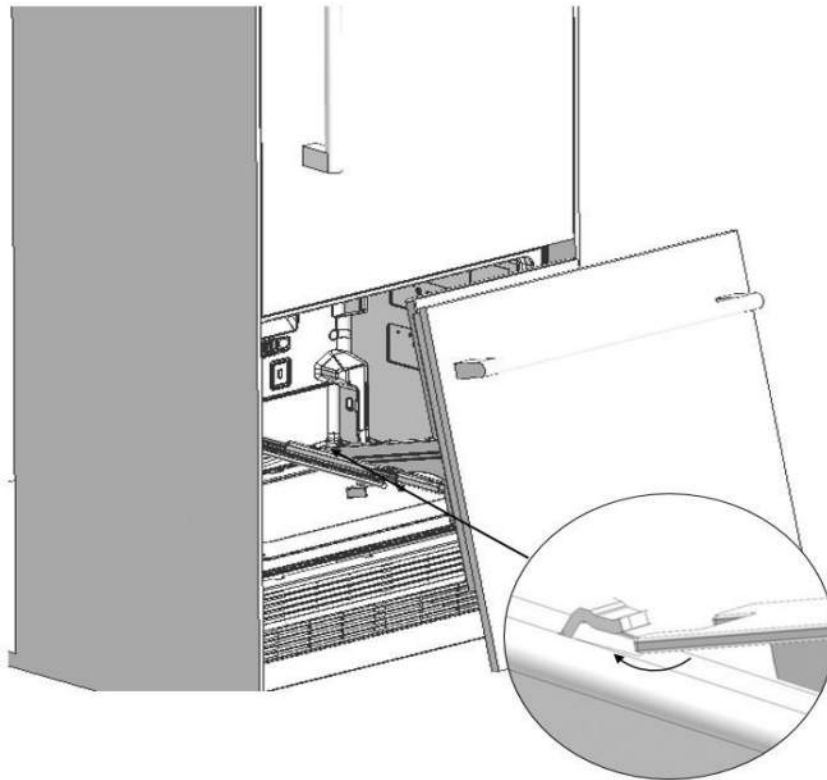


 **WARNING:**

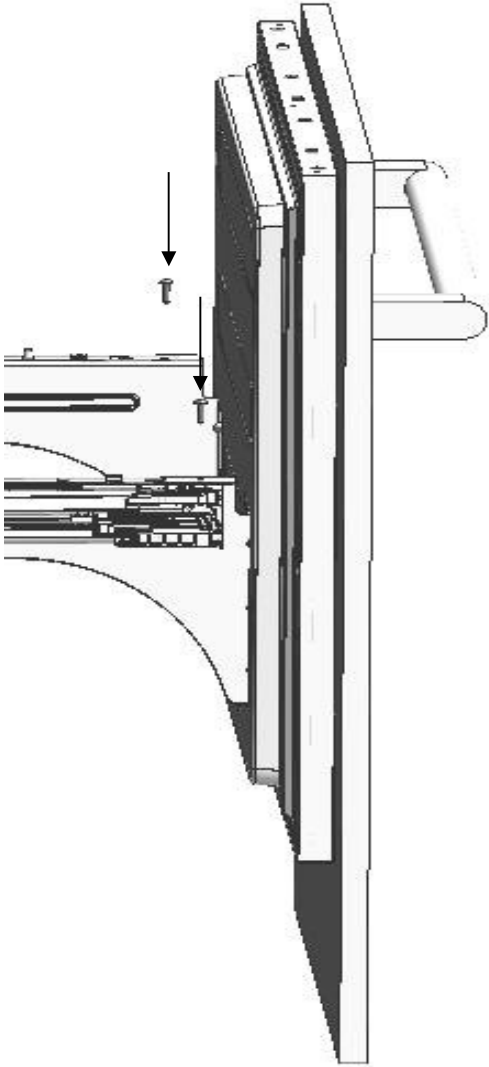
You must keep these parts for future use. You will need them if you want to change the door directions.

**Installing the Freezer Furniture Door**

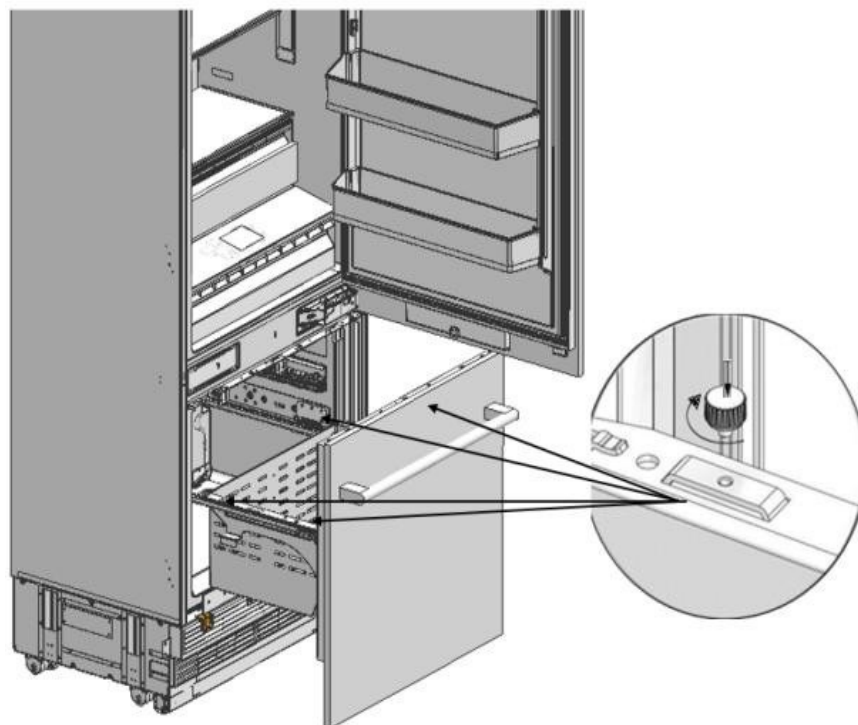
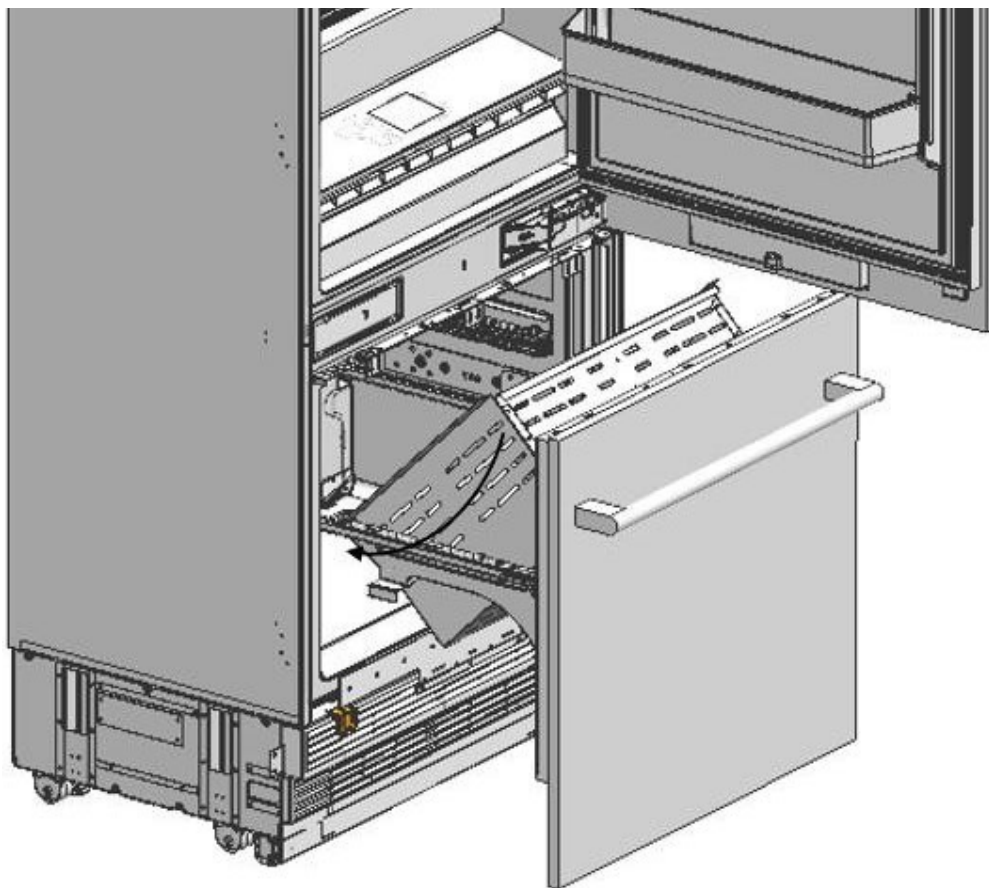
- Install the Freezer Furniture door assembly onto the rails.



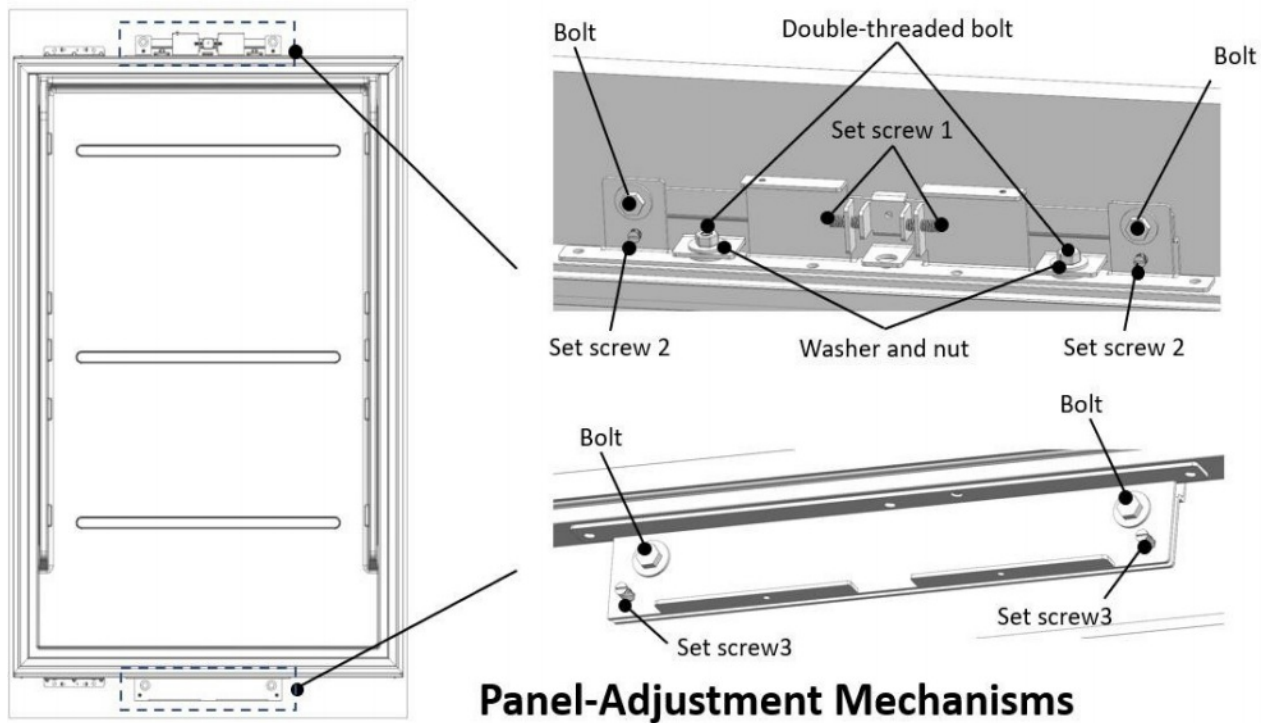
- Fix the Freezer Furniture door assembly onto the rails with 2 screws.



- Locate the drawer onto the rail and tighten the screws

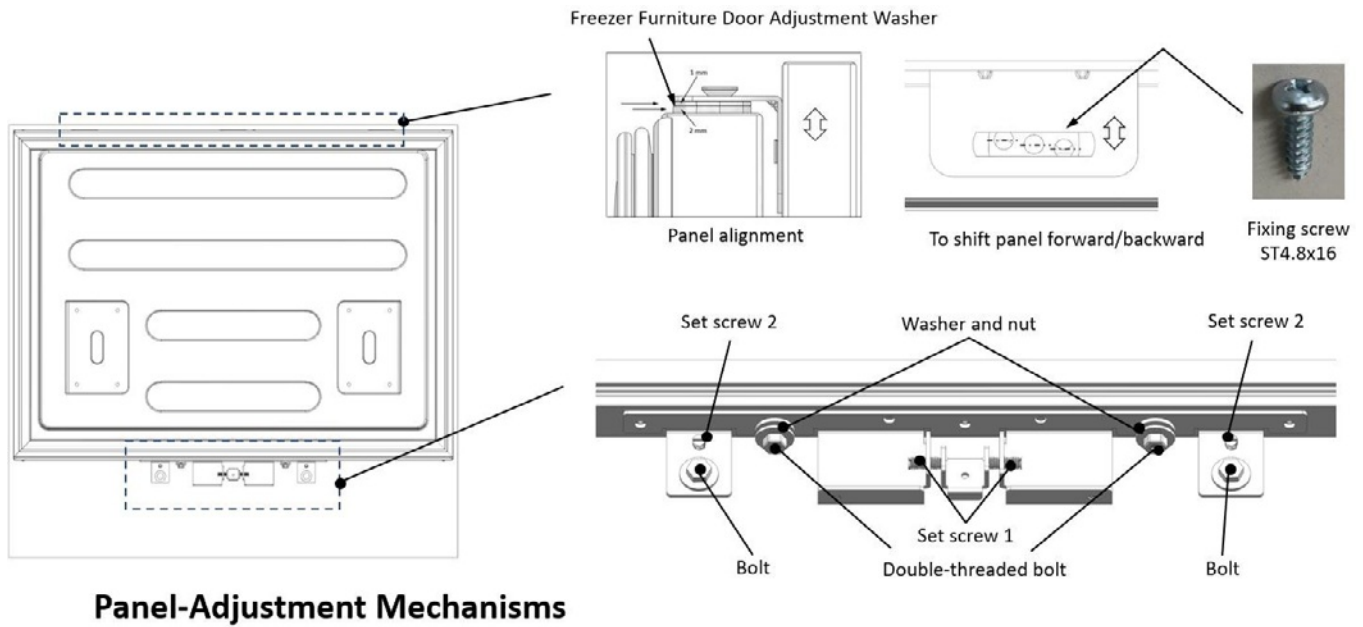


If need to adjust the Furniture Doors , and the operating principle of the mechanisms are shown below.



Panel-adjustment for fridge door

1. Use the double-threaded bolts to align the door panel
2. Engage set screw1 (see the graphic) to shift the panel side to side.
3. Engage set screw2 (see the graphic) to shift the panel forward/backward; engage bolt to set the panel top part in place.
4. Engage set screw3 (see the graphic) to shift the panel forward/backward; engage bolt to set the panel lower part in place.
5. Engage fixing washer and nut to set the panel in place.

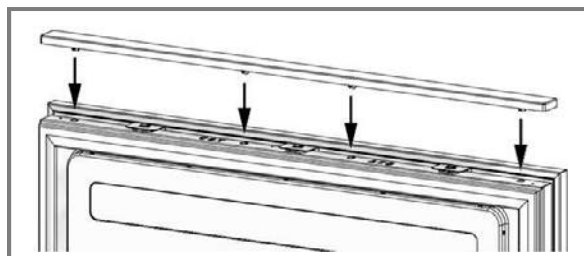


## Panel-Adjustment Mechanisms

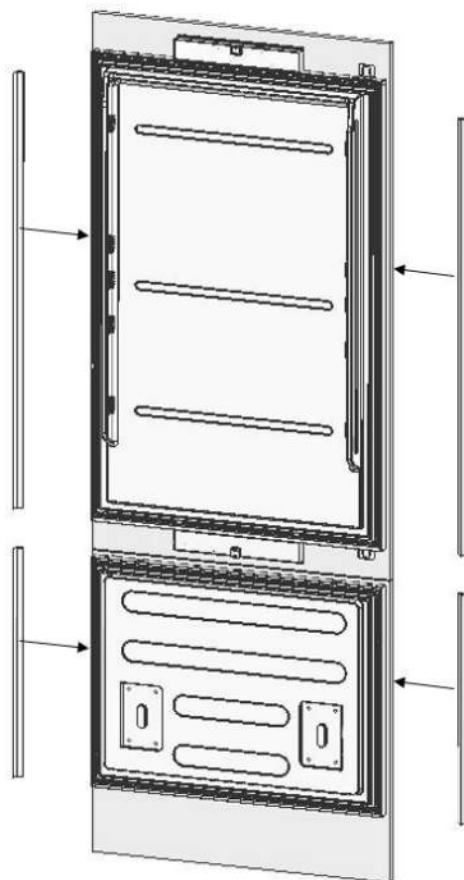
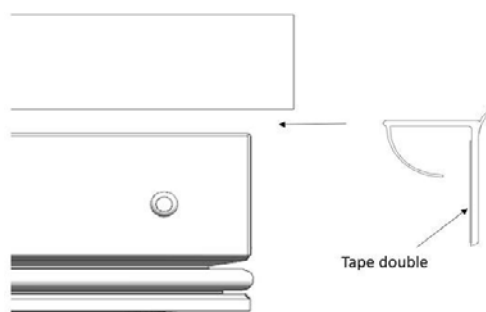
Panel-adjustment for freezer door

1. Use the freezer furniture door adjustment washer to align the door panel top part.
2. Engage set screw1 (see the graphic) to shift the panel side to side.
3. Select fixing hole (see the graphic) to shift the panel forward/backward; engage fixing screw to set the panel in place.
4. Engage set screw2 (see the graphic) to shift the panel forward/backward; engage bolt to set the panel in place.
5. Engage the double-threaded bolts fixing the door panel lower part.
6. Engage washer and nut fixing the panel lower part in place.

- Attach the FRZ Cover (5) using the tabs.



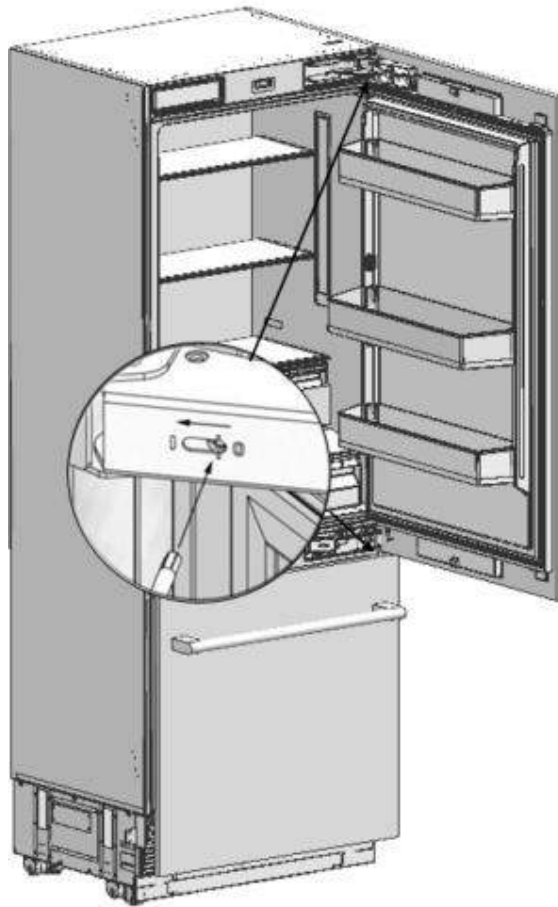
- Attach the side closing seals (2) (3).



## HINGE ADJUSTMENT

### Adjusting the hardness of the hinges

- Use a drill to adjust the hardness of the upper and lower hinges of the FF Door. Set the hinge adjustment screw to position "I" from position "O".



### WARNING:

The door must be fully open during this adjustment.

### WARNING:

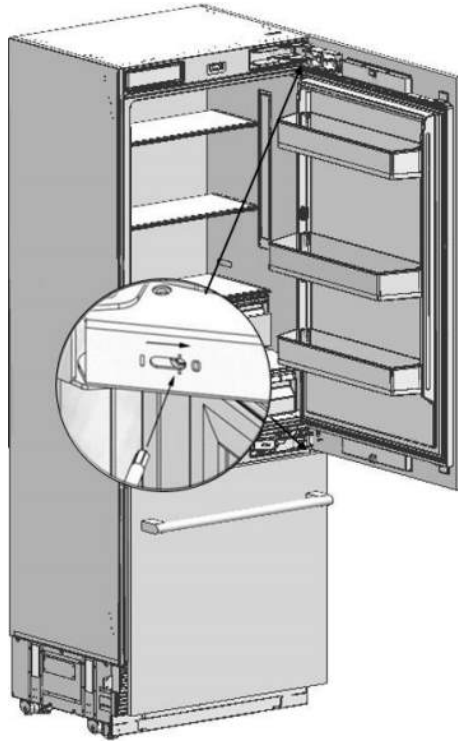
This adjustment must definitely be performed after the door has been adjusted.



## CHANGING THE DIRECTION OF THE FF DOOR

### Removing the FF clad door

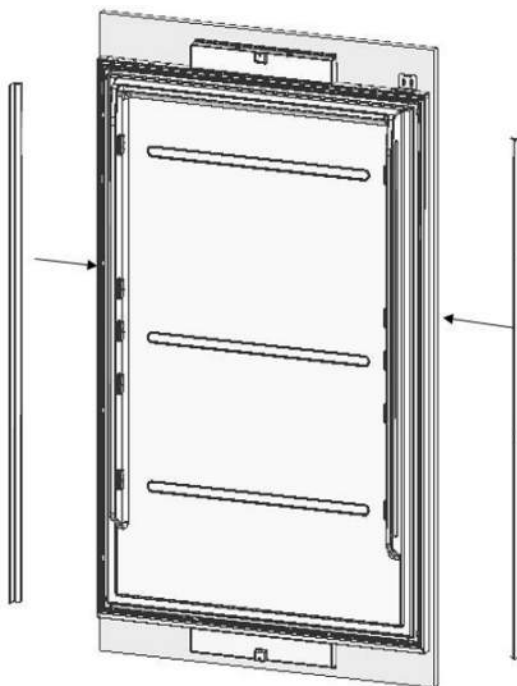
- Set the hardness level of the hinge to "0".



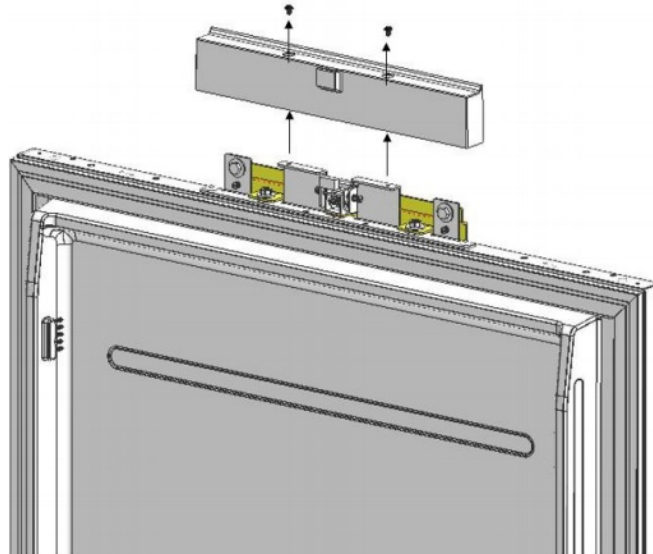
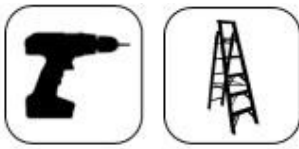
### ATTENTION:

Failure to set the hinge to "0" and continuing the installation like that may cause injury.

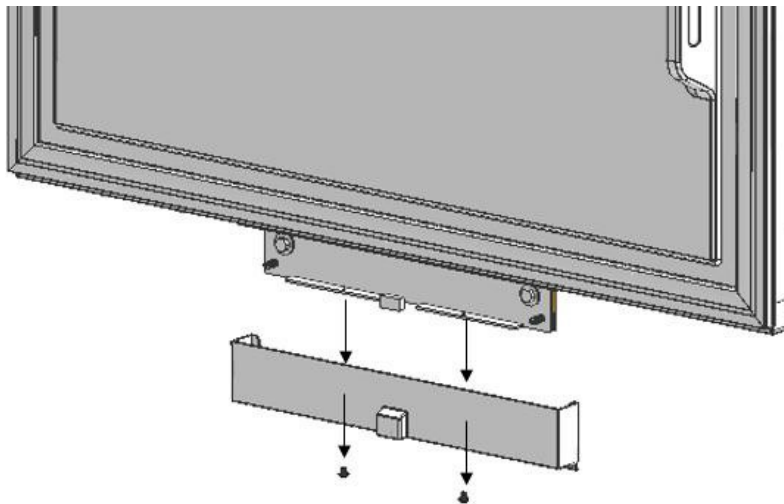
- Remove the side closing seals.



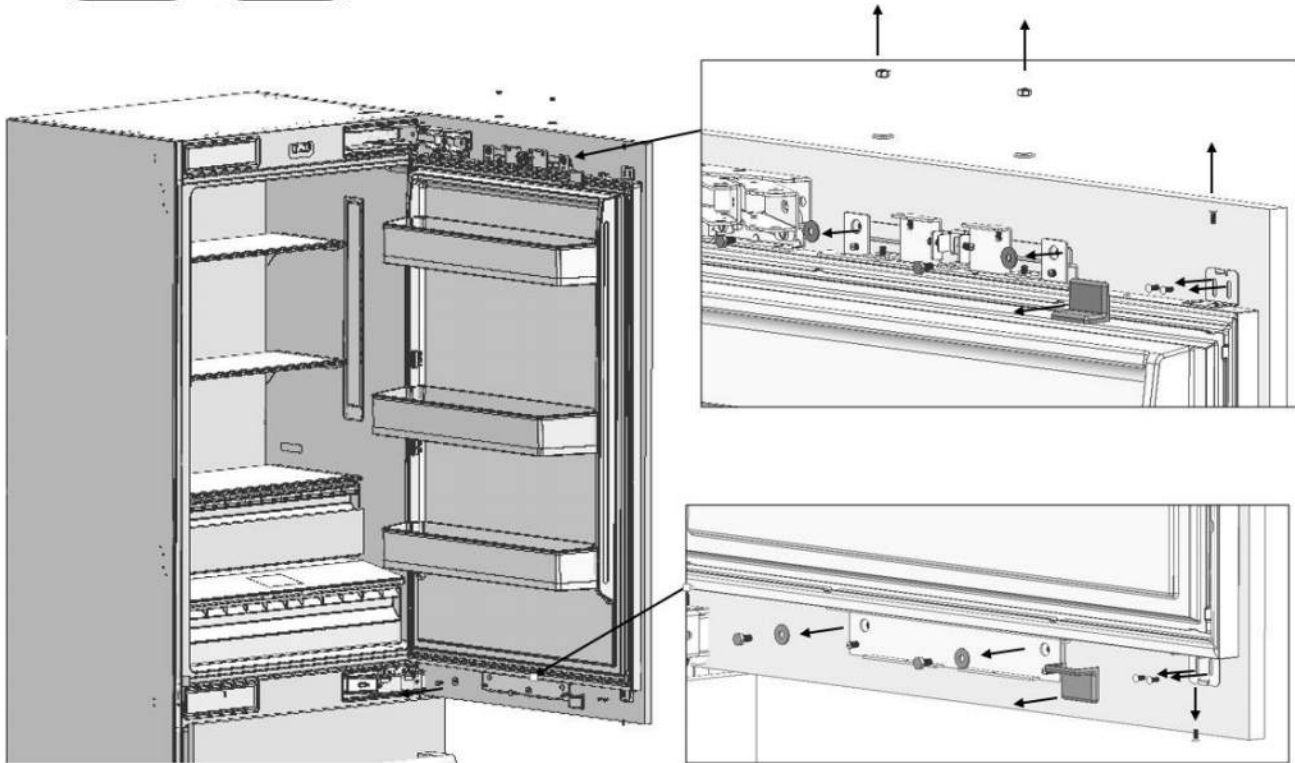
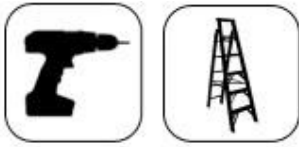
- Loosen 2 screws of the Upper Cover of the Fridge Door and remove it.
- Remove the upper adjustment kits



- Loosen 2 screws of the Lower Cover of the Fridge Door and remove it.



- Remove FF Lower and Upper Bracket screws.



- Remove the screw of FF Upper and Lower mechanisms.

## WARNING:

The clad door will be released when these screws are removed.

You must take measures to prevent the door from falling.

You can tape the Furniture Door to the Inner Door or ask for help from another person.

- Take the Fridge Furniture Door and lay it down on a table upside down.
- You must attach the Furniture Door by rotating it 180° based on its current position.

## Removing and preparing the Fridge Inner Door

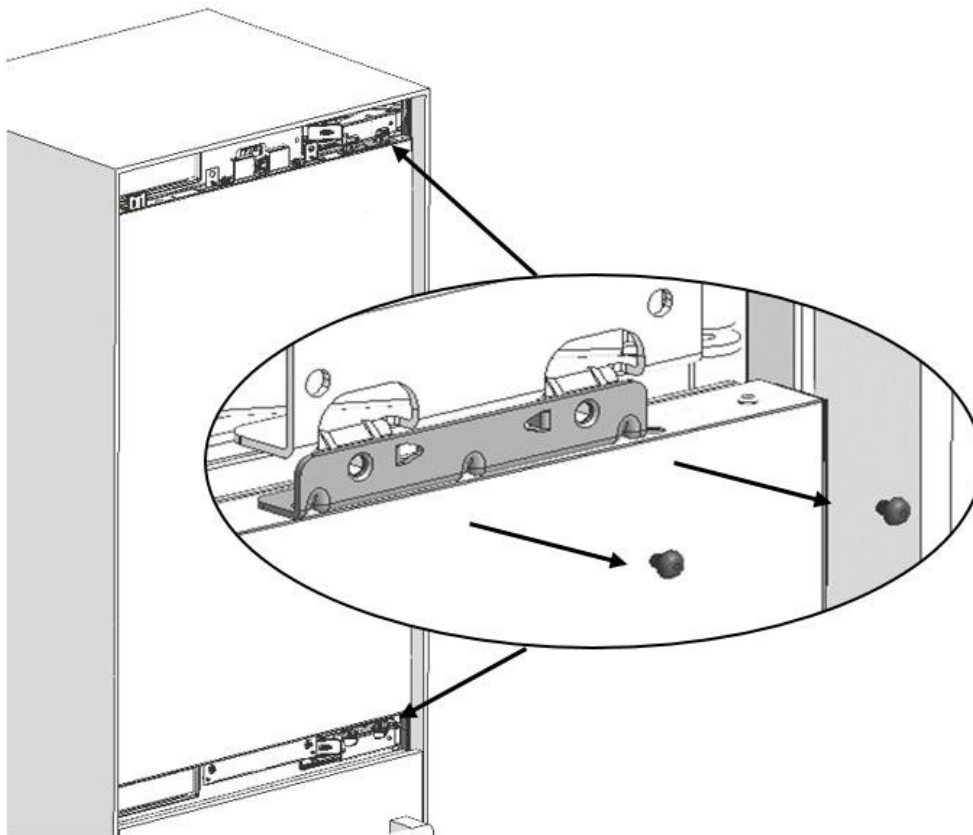
- Remove the hinge connection screws of the Hinge Brackets.



### ATTENTION:

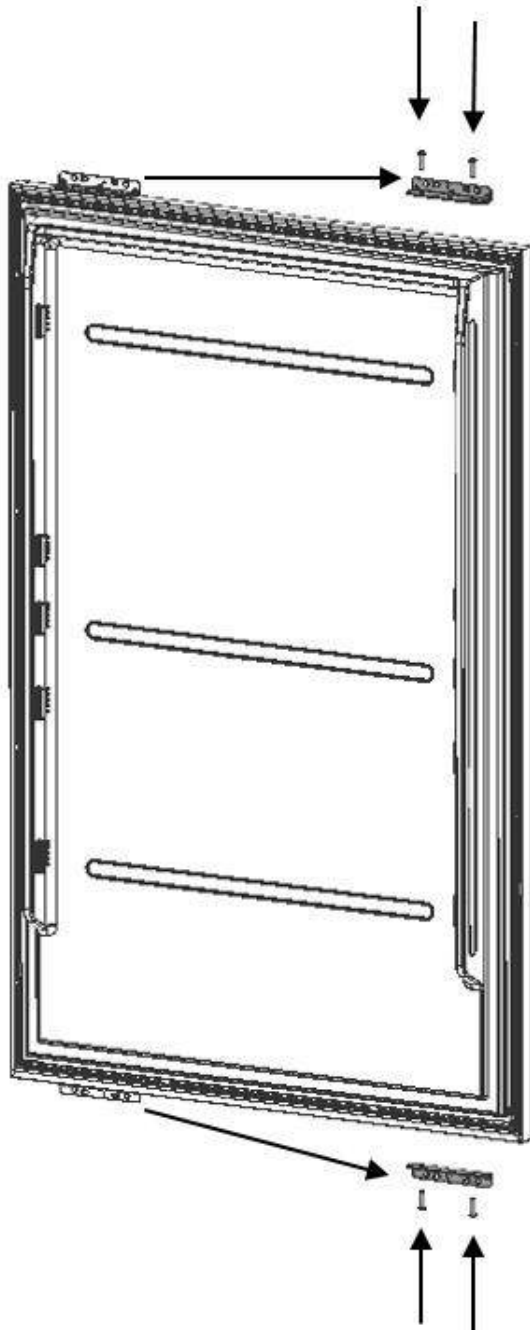
The clad door will be released when these screws are removed. You must take measures to prevent the door from falling.

You can tape the Furniture Door to the Inner Door or ask for help from another person.



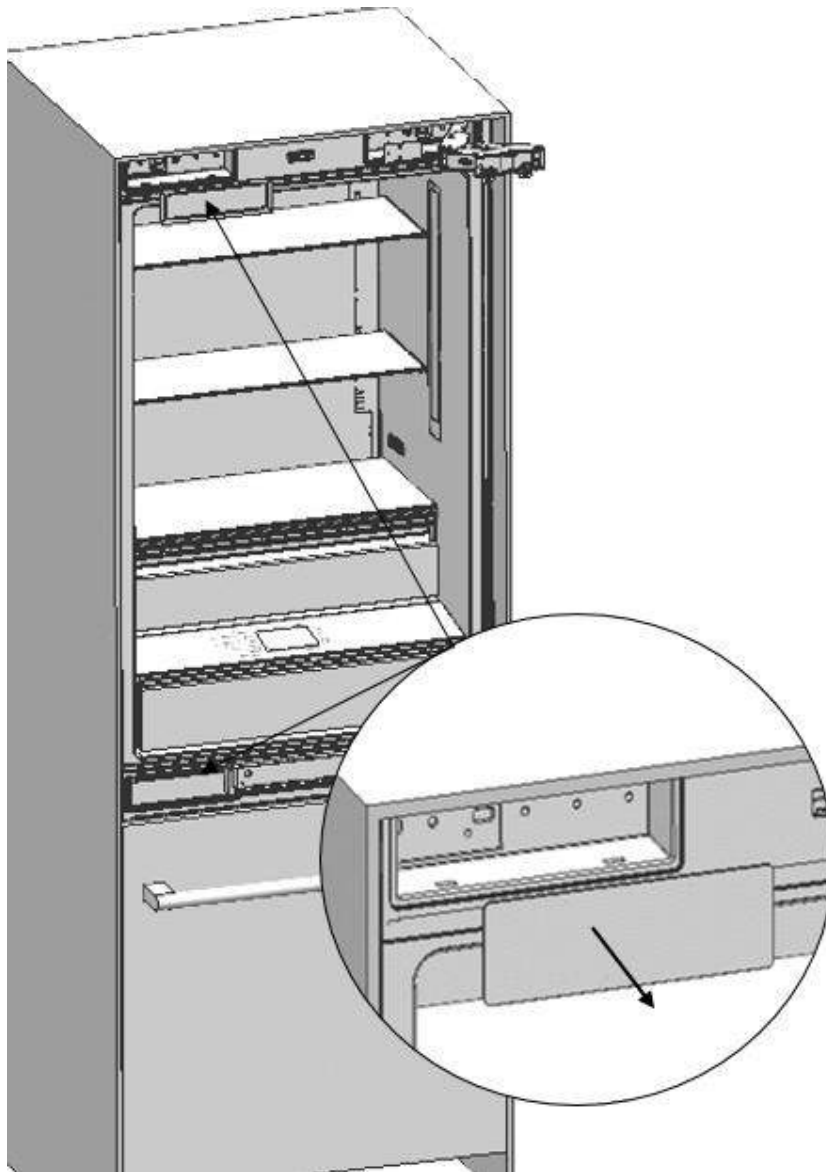
- Take out the FF Door and lay it down on a table remove the fixing parts and screw them to the opposite side of the door.

- Attach the Hanger Sheet using 2 screws.

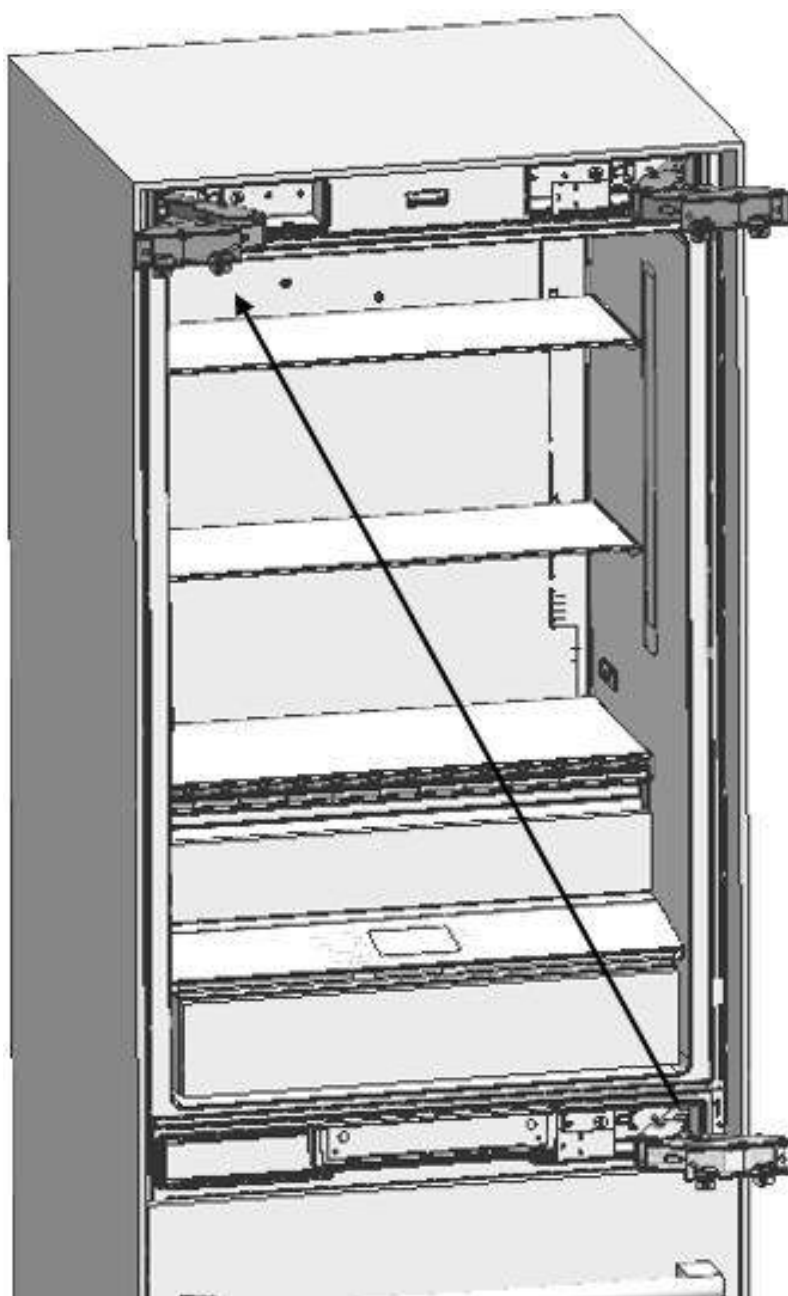
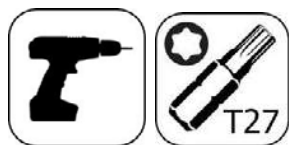


## Replacing the hinges

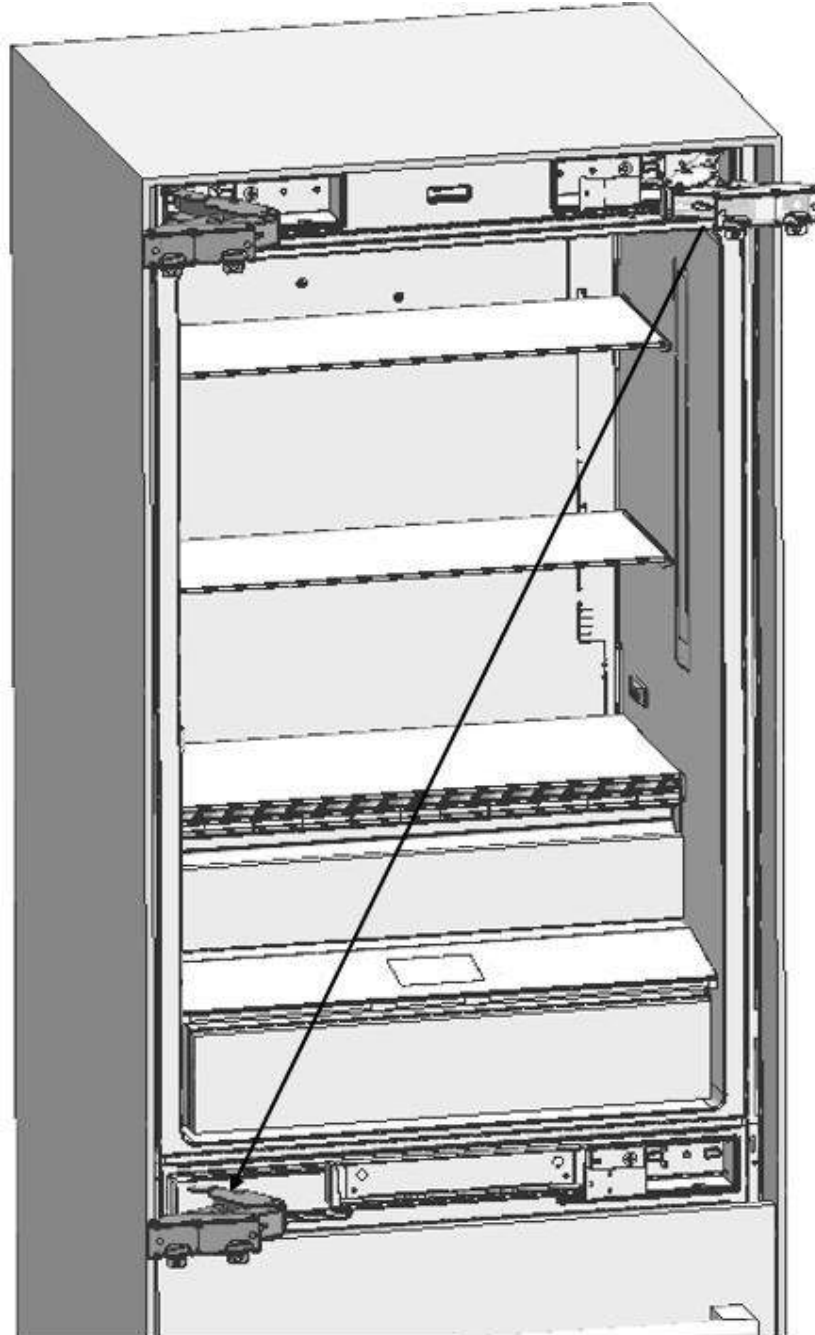
- Remove the Hinge Caps located at the other side where you will fix the hinges.



- Remove the lower right hinge by loosening its 2 screws and fix it to its slot at the upper Left side.

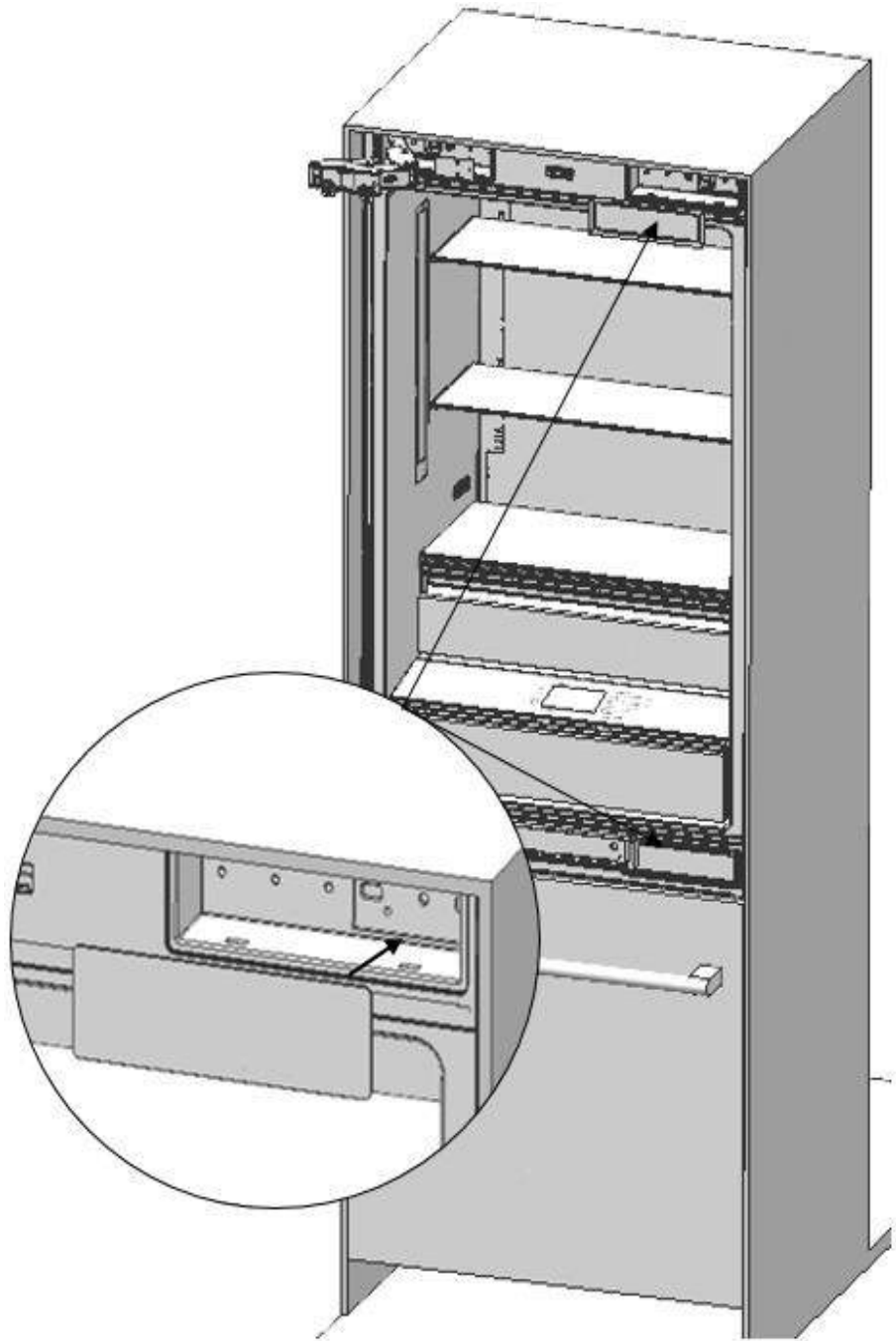


- Remove the upper right hinge by loosening its 2 screws and fix it to its slot at the lower Left side



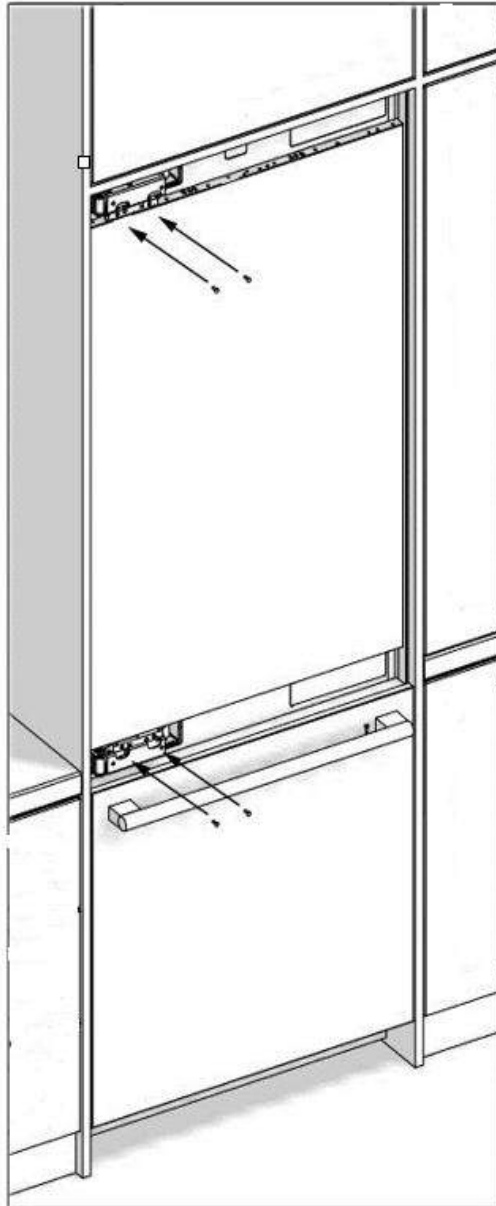


- Attach the Hinge Slot Caps removed from the left side to the Hinge Caps at the right side.



## Installing the FF PU Door

- Place the Fridge Inner Door to the refrigerator and fix it with 4 screws.





WE TRANSFORM A SIMPLE KITCHEN INTO A PRO ONE.  
THIS IS WHY WE CARE ABOUT MAKING VERY HIGH PERFORMANCE  
RANGES AND HOODS, TO MAKE YOU FEEL LIKE A PRO AND STYLISH COOKER.

DESIGN: LONDON DC - [WWW.LONDON-DC.COM](http://WWW.LONDON-DC.COM)

FOR MORE DETAILS AND INFORMATION, PLEASE VISIT OUR WEBSITE [WWW.KUCHT.COM](http://WWW.KUCHT.COM)