

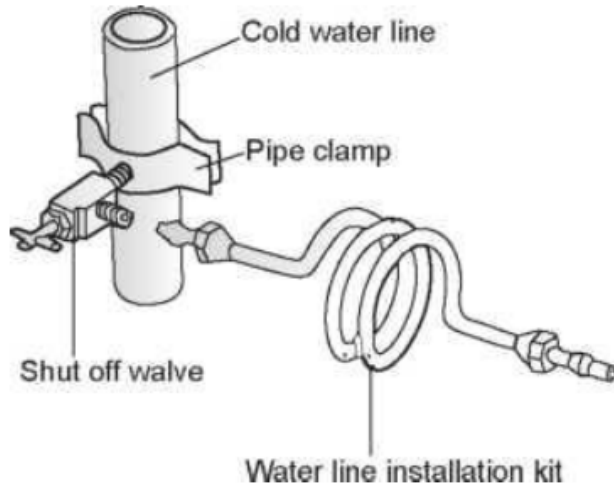
Installing the Water Line

Installing the Water Line

Water line installation kits are available as an additional accessory from your dealer or at a local hardware store.

Connecting To The Water Supply Line

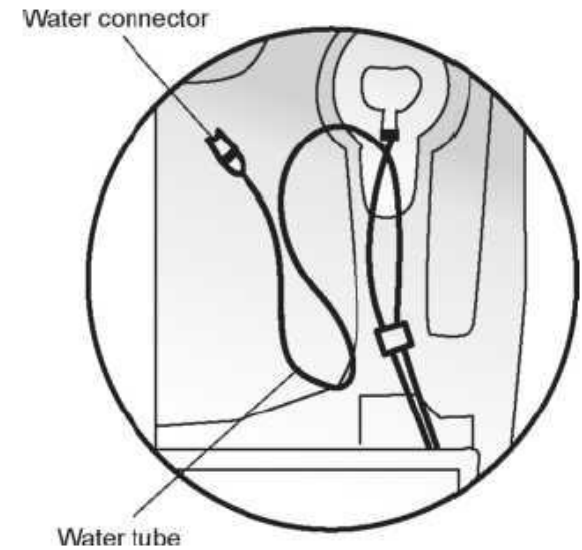
1. First, shut off the main water supply line and turn the ice-maker off.
2. Locate the nearest cold water supply valve.
3. After connecting the water supply to the water valve, turn your main water supply back on and flush several gallons of water to clear the water supply line.



1. First, water tubes (supplied) insert into corresponding hole of water connector (supplied).

2. Second, water line installation kit (not included) inserts into another hole of water connector (supplied).

3. Turn water valve on and check for any leakage



Only Connect The Water Line To A Drinkable Water Source.

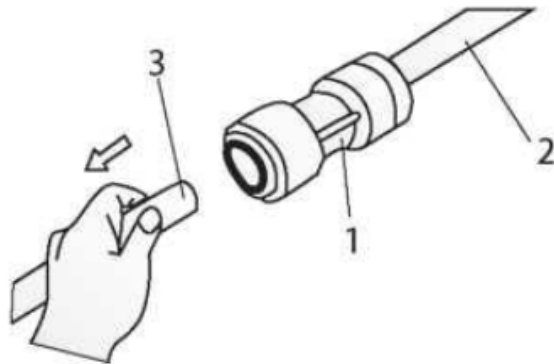
If your water line is NOT drinkable, please add an external water filter.

If you must repair or disassemble the water line, cut off the plastic tubing to make sure you get a snug, leak-free connection.

Connecting the Water Line to The Refrigerator

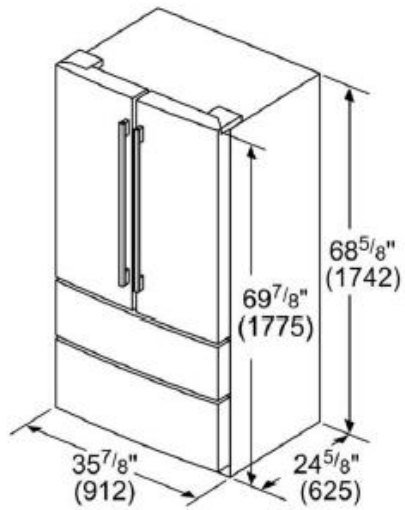
There are several items that you need to purchase to complete this connection.

You will find these items sold as a kit at your local hardware store.

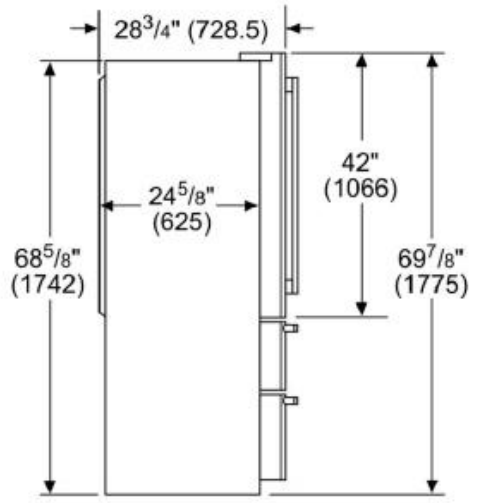


Size of water line kit: 1/4 inch tubing

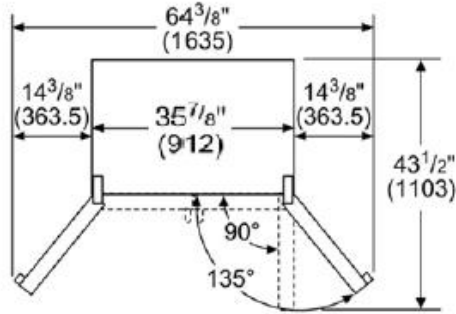
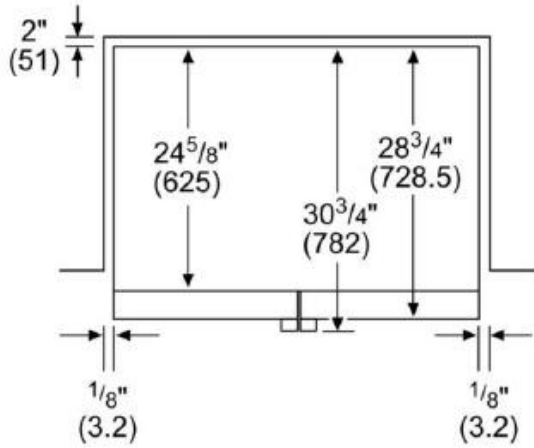
THOR
K I T C H E N[®]



measurements in inches (mm)



measurements in inches (mm)



Drawers can be pulled out with door open 90°. Drawers can be taken out with door completely opened.

measurements in inches (mm)



HRF3601F



Electrical Plug:

- Distance to right side panel: 1.5"
- Distance to the bottom: 3"
- Electrical plug length: 68"

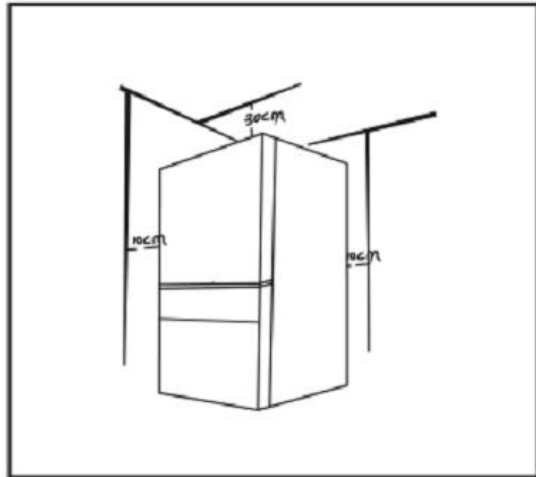
Water Connection:

- Distance to left side panel: 6"
- Distance to right side panel: 12"
- Water connection length: 36"

HRF3602 / HRF3602BS Spec

5.2 External dimension

Description	Code	Size (inch)
Height to Top of Case	A	66.93
Width	B	35.04
Depth w	C	29.02
Depth w/Handle	C1	31.69
Depth (Door open 90 deg. w)	D	43.23
Depth (Door open 90 deg. w)	E	40.43
Depth (Door open 135 deg. w)	F	39.09
Width (Door open 135 deg. w)	G	62.72



Clearance

Top Clearance
≥ 30 cm (11.8 inches)

Side/Back Clearance
≥ 10 cm (3.9 inches)

