

Slant Vent Series Range Hoods JQG7505/JQG7505-W Spec Sheet

FOTILE

A BREATH OF FRESH ENGINEERING®

FOTILE JQG7505 and JQG7505-W 30" Slant Vent Range Hoods are both powerful and sleek looking. With versatile mounting options whether under cabinet or wall mount, the powerful certified Range Hoods offer superior smoke, grease, and odor extraction due to its unique design, dual DC centrifugal motors, and a 90 degree angle automatic open Capture Shield. Not only do they offer excellent venting performance, they are also exceptionally quiet so you can have a casual conversation as you are preparing a meal. Best of all, you can operate this range hood using touch free motion gesture control for easy and safe operation. Available in Onyx Black Tempered Glass and White SCHOTT Glass.



JQG7505



JQG7505-W



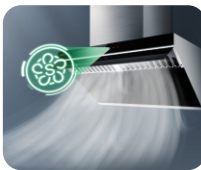
Key Features



90° Automatic Open Capture Shield to Prevent Smoke From Spreading



Dual DC Motors for Smoother and Stronger Ventilation



Stir-fry Mode to Provide Instant Powerful Extraction Power



Motion Detection for Hands Free Operation

Secondary Features

- Extra Wide Smoke Inlet
Covers 6 ft² of Cooking Area (5-6 Burners)
- Auto Delay Shutoff
Extracts Lingering Odors After Cooking
- Powerful LED Light
Lights Up Your Cooktop
- Large Oil Collection Cup
Detachable and Easy to Clean

Slant Vent Series Range Hoods JQG7505/JQG7505-W Spec Sheet

FOTILE

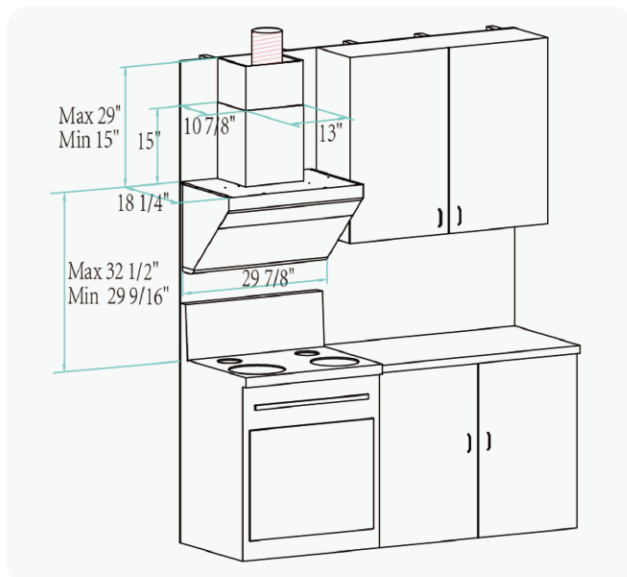
A BREATH OF FRESH ENGINEERING®

Specifications Table

Model	JQG7505 JQG7505-W
Certification	ETL, HVI, CEC
Width(inch)	29 7/8
Material	Onyx Black Tempered Glass Schott White Glass
Installation	Under Cabinet/Wall Mount (Decorative Cover Required)
Speed Setting	4
CFM(HVI)	230 / 420 / 540 / 600
Max. EQUIV.CFM	1000*
Max Static Pressure(Pa)	540
Power Supply(V/Hz)	120/60
Noise Level(sones)	1.2 / 3.9 / 6.2 / 7.2
Noise Level(dB)	38.5 / 48.3 / 54.0 / 56.5
Illumination(W)	3W × 2 (LED)
Motor	Dual DC Motors
Operation Type	Touch + Motion
Delay Shutoff	2min
Screen Lock	Y
Grease Filtration Rate	95%
Odor Reduction Rate	98%
Warranty	Labor: 2 Years Parts: 5 Years(Limited) Motors: Lifetime Limited Warranty

*FOTILE Equivalent CFM is a higher CFM rating due to our filterless technology that combines WhisPower Motors and Capture-Shield design. By utilizing this technology, FOTILE applies the Coanda Effect by accelerating smoke extraction and grease separation, and increasing our Capture Efficiency. This enables FOTILE to cover a larger cooktop surface (6 Sq Ft) and achieve a 95% oil filtration rate, and 98% odor reduction rate, keeping your kitchen smoke free and smelling fresh.

Installation Dimensions



Installation Examples

