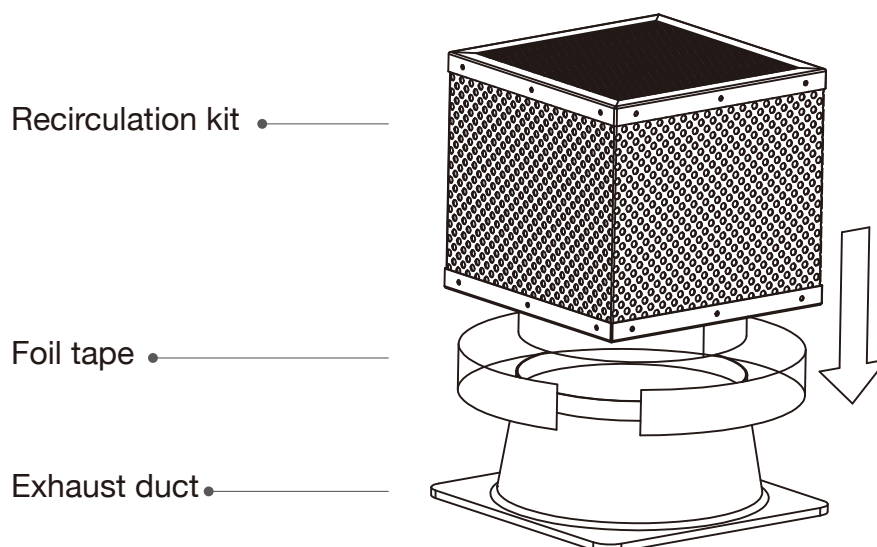


## RECIRCULATION KIT USER AND INSTALLATION MANUAL



### INSTALLATION STEP

- Install the range hood exhaust duct first
- Insert the recirculation kit into the exhaust cover at a 45 degrees angle, and seal the exhaust cover to the bottom of the kit with aluminum foil tape.

### NOTE

- Please confirm the height of the upper cabinet ( from cabinet base) before installing.
  - a. if its 12-14 inches, then use the short exhaust cover, you can purchase it at <https://us.fotileglobal.com/collections/range-hoods-accessories>
  - b. if its greater than 15 inches, then use regular exhaust cover( included in your range hood package)
- When venting to the outside is not possible, an accessory recirculation kit can be used to eliminate smoke & grease from the kitchen.
- Remember to turn off the appropriate circuit breaker to your Kitchen Range Hood before installing this Recirculation Accessory Kit.
- Do not try to clean the charcoal filter on the recirculation kit as it can not be cleaned. Please change the charcoal filter every 4-6 months (depending on hood usage).You can purchase charcoal filters for replacement at <https://us.fotileglobal.com/collections/range-hoods-accessories>
- It's recommended to keep upper cabinet door open when you use recirculation kit.
- Please wear gloves when changing the charcoal filter or cleaning the range hood.