

Dimensions and Cabinet Requirements

General Cabinet Requirements

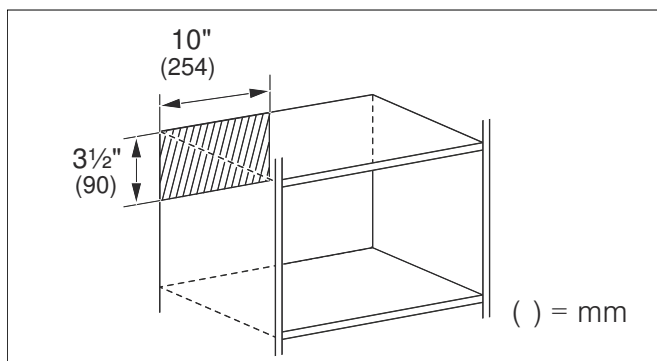
- $\frac{1}{4}$ " (6.4 mm) space between the side of the appliance and an adjacent wall or cabinet door when installed at the end of a cabinet run.
- The cabinet base must be flat and capable of supporting the weight of your appliance when in use. See section *Cabinet Dimensions*.
- The appliance door will overlap the furniture below by approx $\frac{3}{16}$ " (5 mm) when opened.

▲ WARNING

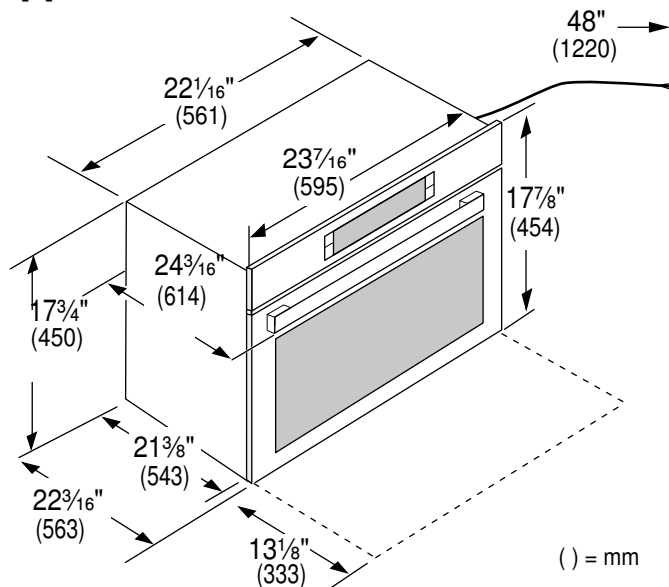
There must be an air gap of at least $\frac{1}{2}$ " (6 mm) between the appliance and the cabinet walls when the appliance is installed, i.e. X" (3 mm) each side.

Outlet Area

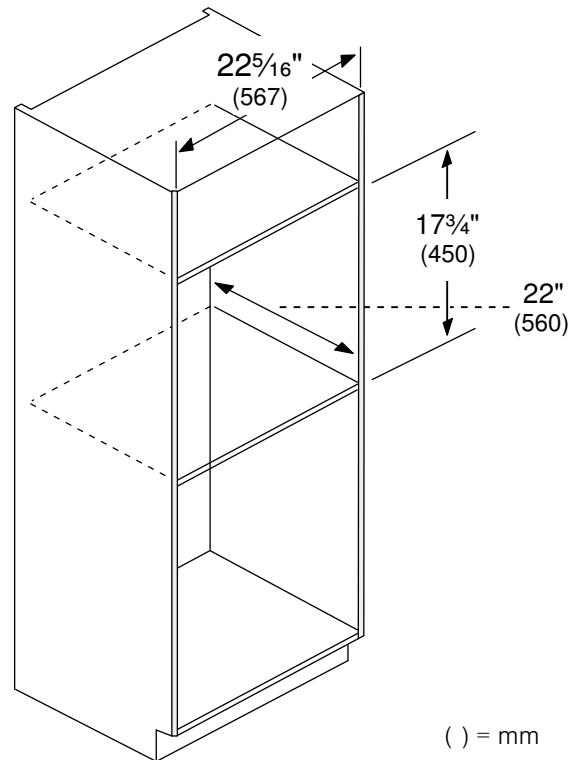
The outlet can be located anywhere within the shaded area. Anywhere within the shaded area, the minimal distance between the appliance and the wall is $\frac{1}{4}$ " in (45 mm).



Appliance Dimensions



Cabinet Dimensions



NOTICE: The cabinet base must be flat and capable of supporting a weight of at least 142 lbs (64.1 kg).

Under counter dimensions

