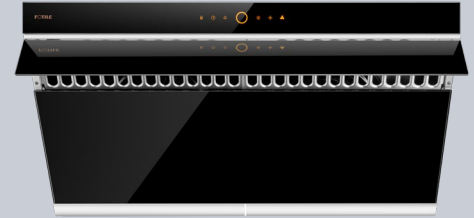


# Slant Vent Series Range Hoods JQG9006/JQG9006-W Spec Sheet

**FOTILE**

A BREATH OF FRESH ENGINEERING®

FOTILE JQG9006 and JQG9006-W 36" Slant Vent Range Hoods are both powerful and sleek looking. With versatile mounting options whether under cabinet or wall mount, the powerful certified Range Hoods offer superior smoke, grease, and odor extraction with their unique design, dual DC centrifugal motors, and 90 degree angle automatic open Capture Shields. Not only do they offer excellent venting performance, they are also exceptionally quiet so you can have a casual conversation as you are preparing a meal. Best of all, you can operate the range hoods using touch free motion gesture control for easy and safe operation. Available in Onyx Black Tempered Glass and White SCHOTT Glass.



JQG9006



JQG9006-W



## Key Features



90° Automatic Open Capture Shield to Prevent Smoke From Spreading



Dual DC Motors for Smoother and Stronger Ventilation



Stir-fry Mode to Provide Even Stronger Extraction Power

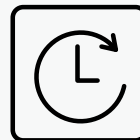


Motion Detection for Hands Free Operation

## Additional Features



Extra Wide Smoke Inlet  
Covers 7.2 ft<sup>2</sup> of Cooking Area (5-6 Burners)



Auto Delay Shutoff  
Extracts Lingering Odors After Cooking



Dual Oil Filters  
Detachable and Dishwasher Safe



Dual Grease Collection Cups  
Detachable and Dishwasher Safe

# Slant Vent Series Range Hoods JQG9006/JQG9006-W Spec Sheet

**FOTILE**

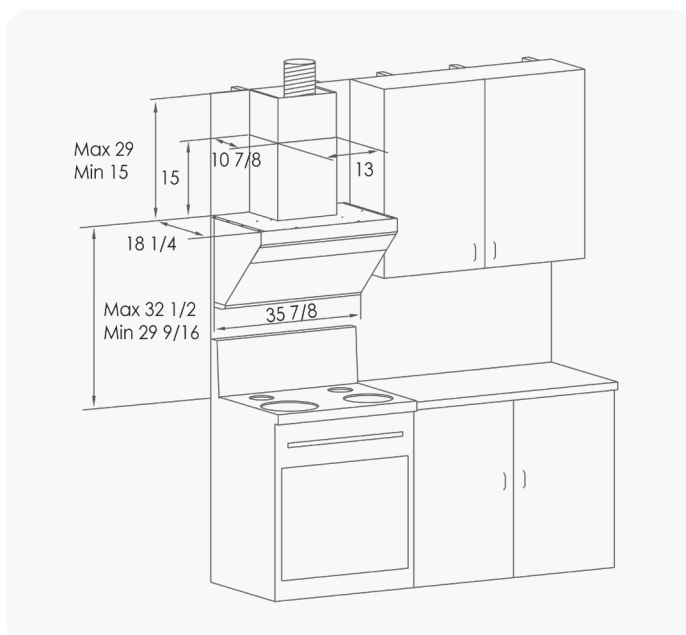
A BREATH OF FRESH ENGINEERING®

## Specifications Table

Model	JQG9006   JQG9006-W
<b>Certification</b>	ETL, HVI, CEC
<b>Width(inch)</b>	35 7/8
<b>Material</b>	Onyx Black Tempered Glass   White SCHOTT Glass
<b>Installation</b>	Under Cabinet/Wall Mount (Decorative Cover Required)
<b>Speed Setting</b>	4
<b>CFM(HVI)</b>	230 / 420 / 540 / 600
<b>Max. EQUIV. CFM</b>	1000*
<b>Max Static Pressure(Pa)</b>	540
<b>Power Supply(V/Hz)</b>	120/60
<b>Noise Level(sones)</b>	1.2 / 3.9 / 6.2 / 7.2
<b>Noise Level(dB)</b>	38.5 / 48.3 / 54.0 / 56.5
<b>Illumination(W)</b>	3W × 2 (LED)
<b>Motor</b>	Dual DC Motors
<b>Operation Type</b>	Motion Activation & Touchscreen
<b>Delay Shutoff</b>	2min
<b>Screen Lock</b>	Y
<b>Grease Filtration Rate</b>	95%
<b>Odor Reduction Rate</b>	98%
<b>Warranty</b>	Labor: 2 Years   Parts: 5 Years(Limited) Motors: Lifetime Limited Warranty

\*FOTILE Equivalent CFM is a higher CFM rating due to our filterless technology that combines WhisPower Motors and Capture-Shield design. By utilizing this technology, FOTILE applies the Coanda Effect by accelerating smoke extraction and grease separation, and increasing our Capture Efficiency. This enables FOTILE to cover a large cooktop surface (7.2 Sq. Ft.) and achieve a 95% oil filtration rate, and 98% odor reduction rate, keeping your kitchen smoke free and smelling fresh.

## Installation Dimensions



## Installation Examples

