

COOL-SPACE[®] 350

There for you when it matters most, Cool-Space 350 has the powerful, eco-friendly performance to carry you through the worst that summer has to offer.

With its durable polyethylene housing, 8-inch thick cooling media, and a 50-gallon reservoir, this energy-efficient beast is designed to harness the full power of evaporative cooling. Install one in your outdoor patio or well-ventilated indoor space to get rapid, reliable heat relief that's simple to control.



KEY FEATURES

- ▶ Quickly cool indoor and outdoor spaces by up to 33 °F (18 °C)
- ▶ Ideal for large outdoor patios
- ▶ 8-inch (20-centimeter) resin-treated cooling media
- ▶ 50-gallon (189-liter) reservoir lasts up to 10 hours without hose connection
- ▶ 20-inch (50.8-centimeter) fan diameter
- ▶ Variable speed dial and pump switch

COVERAGE AREA

UP TO
2,300 SQUARE FEET
(213.6 SQUARE METERS)

AIRFLOW

UP TO
3,400 CFM

CONTROL

**VARIABLE SPEED WITH
PUMP ON/OFF SWITCH**

VOLTAGE

120 VAC

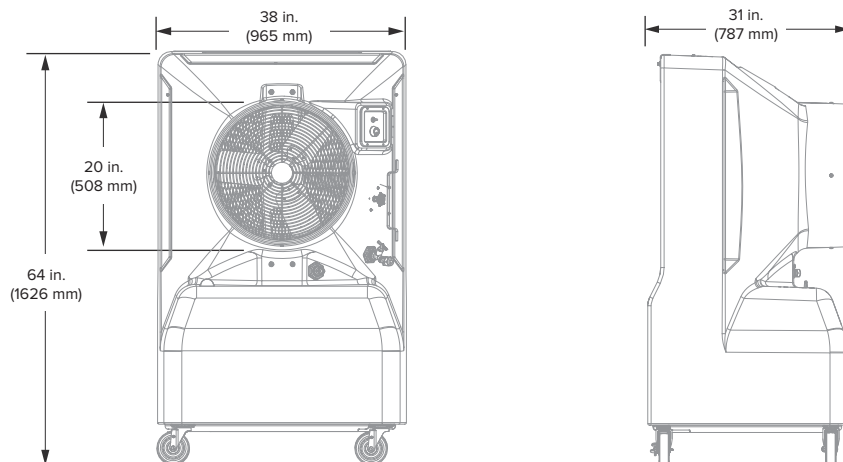


DISCOVER MORE ABOUT COOL-SPACE

Learn more at bigassfans.com/evaporative-coolers
or call **877.BIG.FANS** for a free custom quote.

COOL-SPACE® 350

DELIVER COOLER CONDITIONS AT A MOMENT'S NOTICE



Technical Specifications

Model	Ordering Information	Input power and required breaker	Amperage ¹	Drive	Motor	Weight	Water Capacity	Inlet Water Supply Pressure	Environment ²	Airflow and Coverage	Sound Level ³	Operating Temperature
Cool-Space 350	E-350-2001	120 VAC, 60 Hz, 1Φ, 15 A	6 A	Variable Speed	0.75 hp (0.5 kW)	160 lb (69 kg)	50 gal (189 L)	60 PSI Max	Well-ventilated indoor or outdoor space	3,400 cfm up to 2,300 sq ft	69 dBA	0 to 104 °F (-18 to 40 °C)
	E-350-2002	220/230 VAC, 50/60 Hz, 1Φ, 10 A	4 A									

Construction

Housing	Motor	Power Supply	Water Supply	Cooling Media	Maintenance
UV-resistant roto-molded polyethylene housing Four swivel casters (two locking)	High-efficiency, totally enclosed	10 ft (3 m) power cord plugs into standard electrical outlet Cord wrap for easy storage	Accepts standard garden hose or portable supply tank Water level regulated by flow control valve Low-water shutoff for pump longevity	Made from thick cross-corrugated, angle-fluted formulated cellulose Treated with thermosetting resin for strength and prevention of algae	Accessible reservoir cap for convenient water treatment access Drain plug and flush valve for water removal



Onboard Variable Speed Control



¹ Maximum amperage includes both the fan and pump ratings.

² Not suitable for salt air environments.

³ Fans are sound tested in a laboratory environment. Actual results in field conditions may vary due to sound reflecting surfaces and environmental conditions.

Lead times may vary. See full warranty for coverage information.