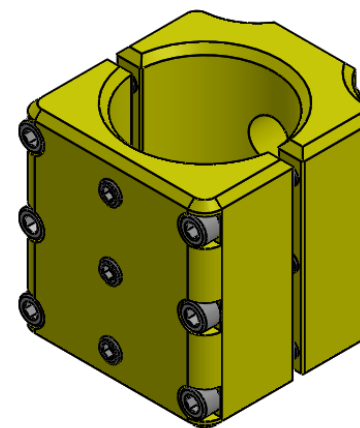


Steering clamp assembly instructions:

Use RED LOCTITE 262 on all fasteners.

- 6 x cap screws (16 ft-lbs) (3/16" hex key)
- 3 x biters (13 ft-lbs) (5/32" hex key)
- 1 x steering stabilizer bolt (90 ft-lbs) (3/4" socket)
- 1 x TMR fox ats bolt (75 ft-lbs) (3/8" hex key)
- 1 x ram assist bolt (135 ft-lbs) (15/16" socket)



#2211 - 1.500" steering clamp hardware	
QTY:	Descripton
6pcs	SS SHCS 1/4-20 X 1-3/8" long
3pcs	SS cone point set screw 5/16-18 X 1/2" long

#2212 - 1.750" steering clamp hardware	
QTY:	Descripton
6pcs	SS SHCS 1/4-20 X 1-5/8" long
3pcs	SS cone point set screw 5/16-18 X 1/2" long

#2290 - 2.000" steering clamp hardware	
QTY:	Descripton
6pcs	SS SHCS 1/4-20 X 1-3/4" long
3pcs	SS cone point set screw 5/16-18 X 1/2" long

