



ONE PARTICULAR HARBOUR SURF SHACK BAR


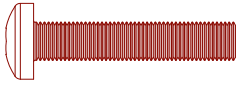
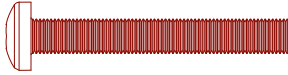

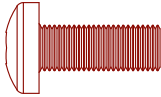
OWNER'S MANUAL

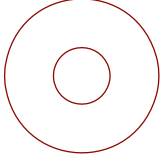
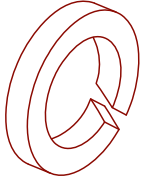
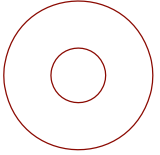




PARTS LIST

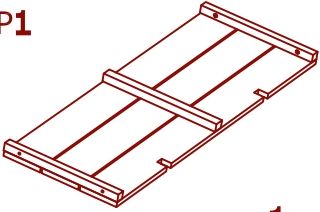
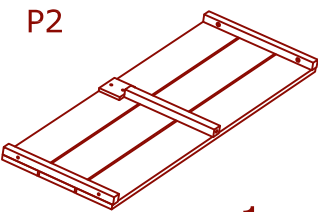
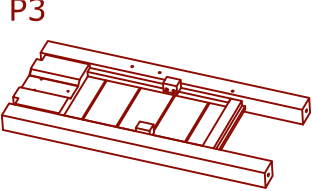
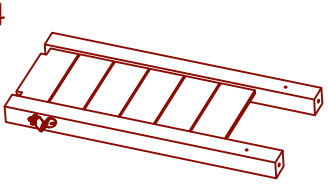
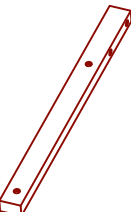
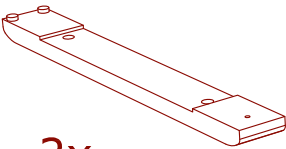
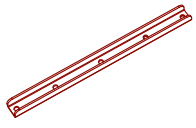
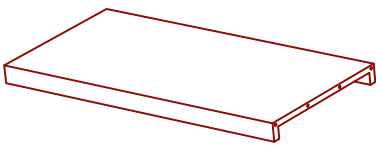

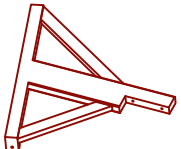
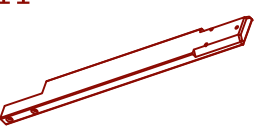
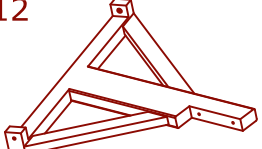


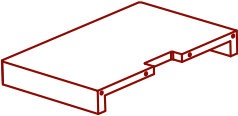
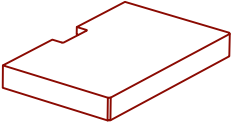

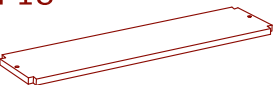
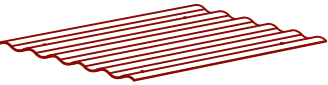
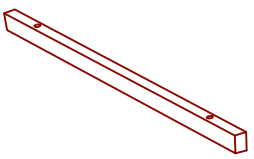
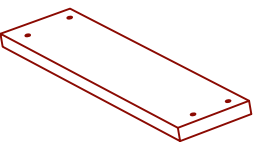
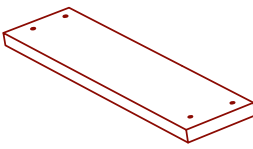
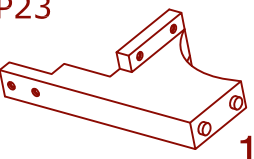
Number Description Quantity Photo

Number Description Quantity Photo

A	1/4" x 1 1/2" Bolt	26	
B	1/4" x 1 1/4" Bolt	14	
C	1/4" x 1 3/4" Bolt	4	
D	1/4" x 2 1/2" Bolt	20	
E	1/4" x 5/8" Bolt	16	

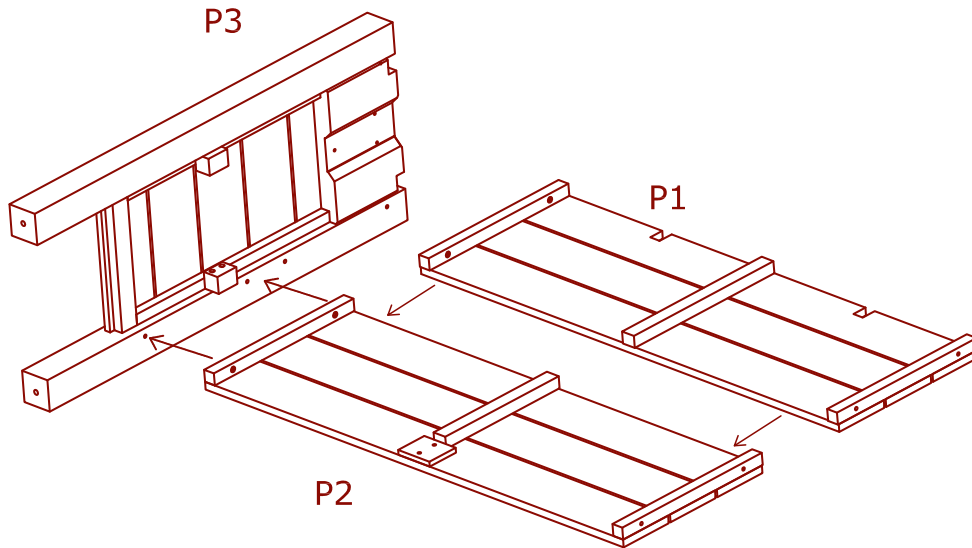
F	Washer	14	
G	Lock Washer	10	
H	Waterproof Washer	16	
I	Wood Dowel	4	
J	Hex Bolt Driver	1	

PARTS LIST

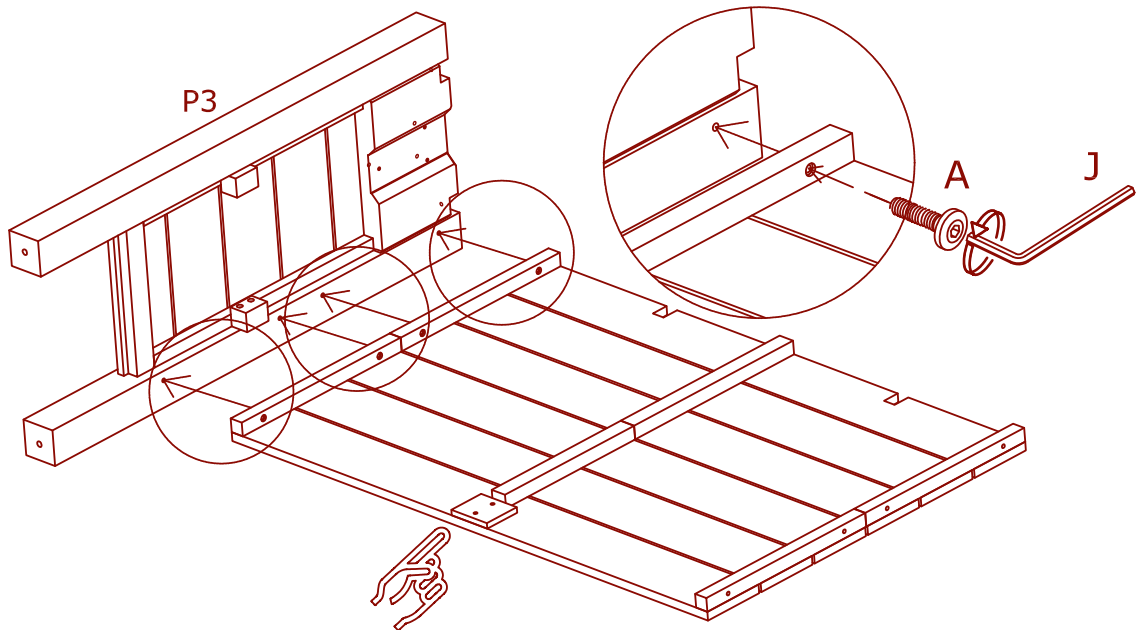
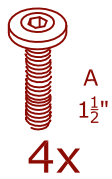
<p>Top panel</p> <p>P1</p>  <p>1x</p>	<p>Bottom panel</p> <p>P2</p>  <p>1x</p>	<p>Left side frame</p> <p>P3</p>  <p>1x</p>	<p>Right side frame</p> <p>P4</p>  <p>1x</p>
<p>Left Support</p> <p>P5</p>  <p>2x</p>	<p>Foot</p> <p>P6</p>  <p>2x</p>	<p>Table top connector</p> <p>P7</p>  <p>4x</p>	<p>Center table top</p> <p>P8</p>  <p>1x</p>
<p>Left upright support</p> <p>P9</p>  <p>1x</p>	<p>Left roof support</p> <p>P10</p>  <p>1x</p>	<p>Right upright support</p> <p>P11</p>  <p>1x</p>	<p>Right roof support</p> <p>P12</p>  <p>1x</p>
<p>Left roof top bar</p> <p>P13</p>  <p>2x</p>	<p>Right roof top bar</p> <p>P14</p>  <p>2x</p>	<p>Left table top</p> <p>P15</p>  <p>1x</p>	<p>Right table top</p> <p>P16</p>  <p>1x</p>
<p>Floats</p> <p>P17</p>  <p>5x</p>	<p>Shelf</p> <p>P18</p>  <p>P18</p> <p>1x</p>	<p>Roof</p> <p>P19</p>  <p>4x</p>	<p>Roof support bar</p> <p>P20</p>  <p>8x</p>
<p>Left footrest</p> <p>P21</p>  <p>1x</p>	<p>Right footrest</p> <p>P22</p>  <p>1x</p>	<p>Footrest connector</p> <p>P23</p>  <p>1x</p>	

ASSEMBLY INSTRUCTIONS

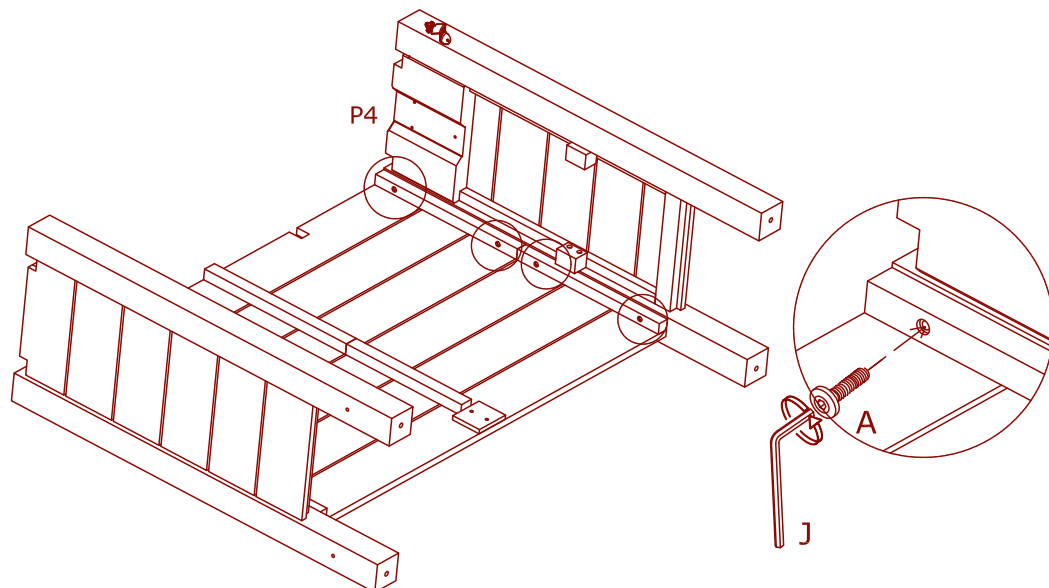
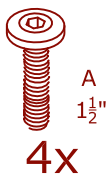
1



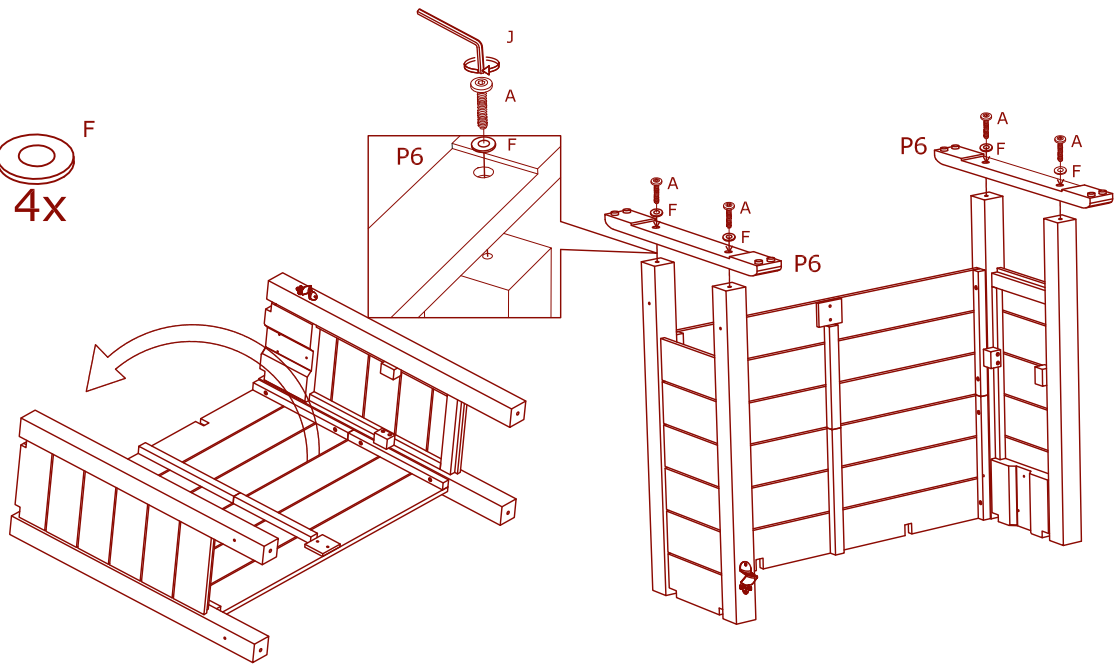
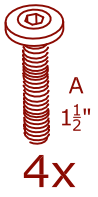
2



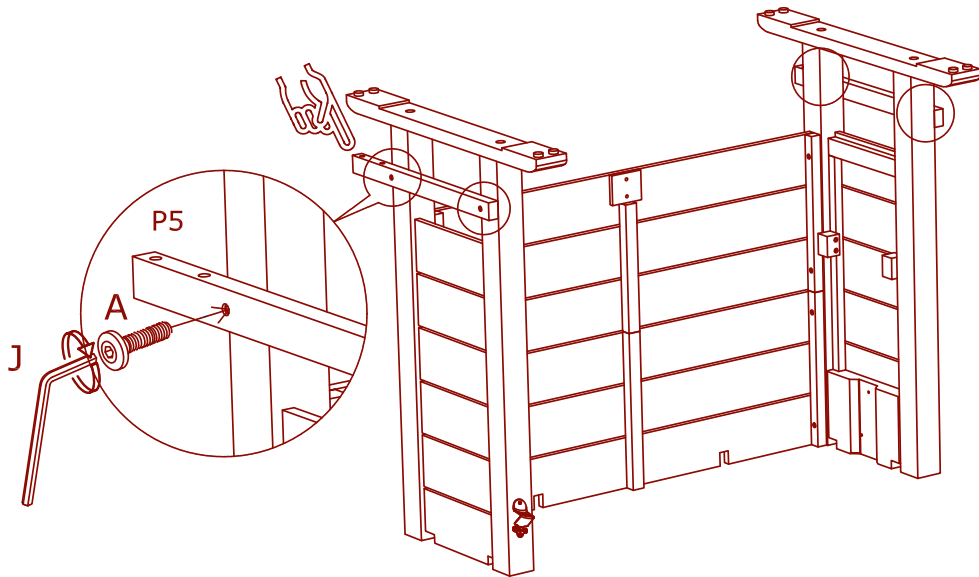
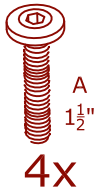
3



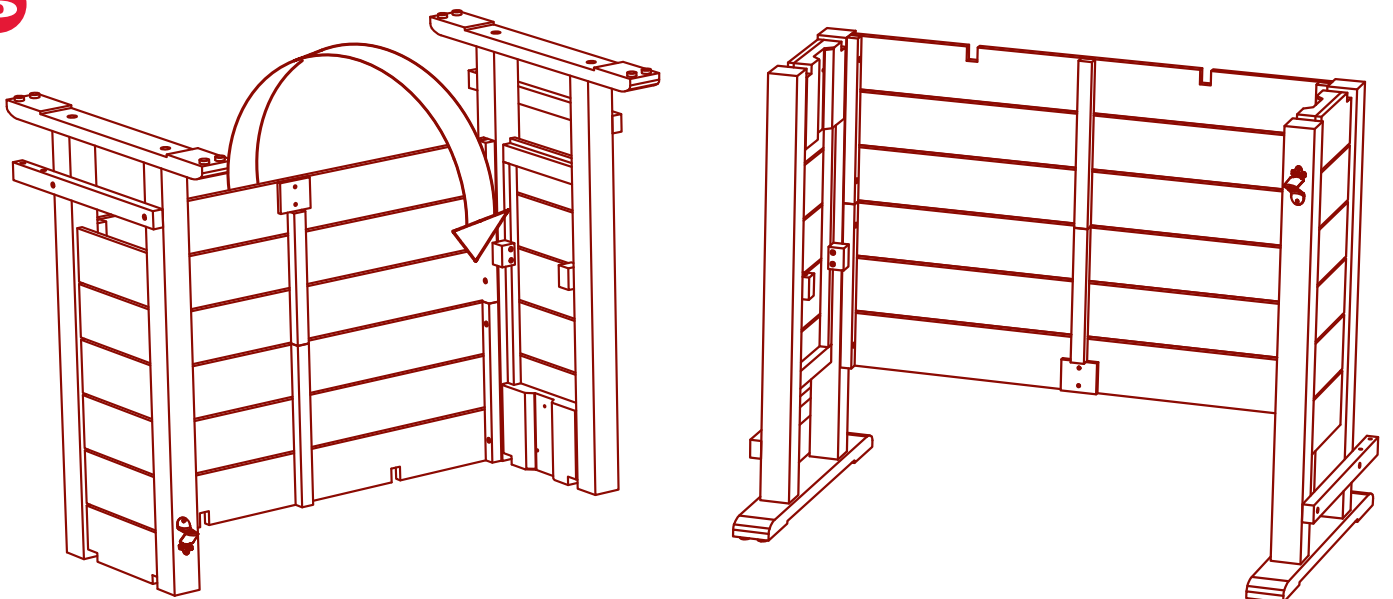
4.



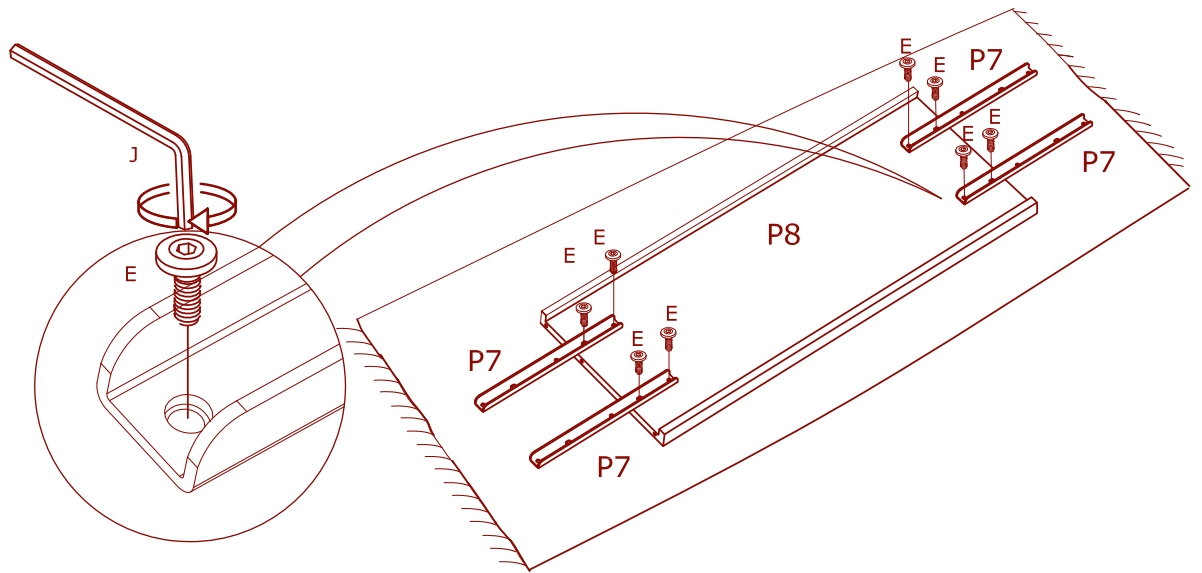
5.



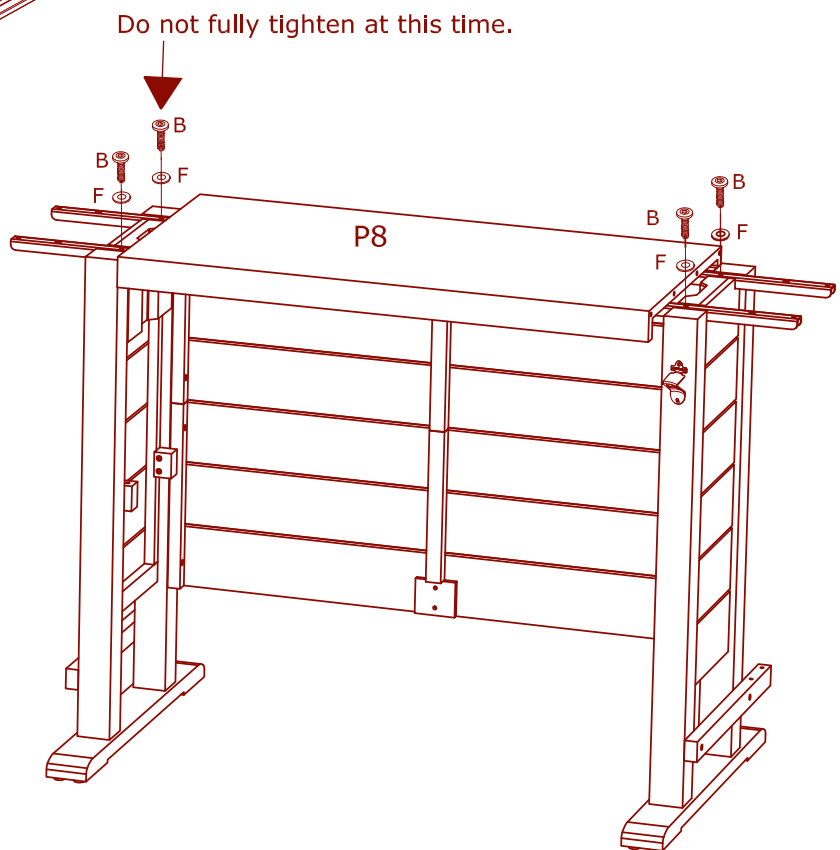
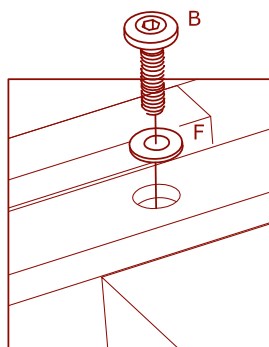
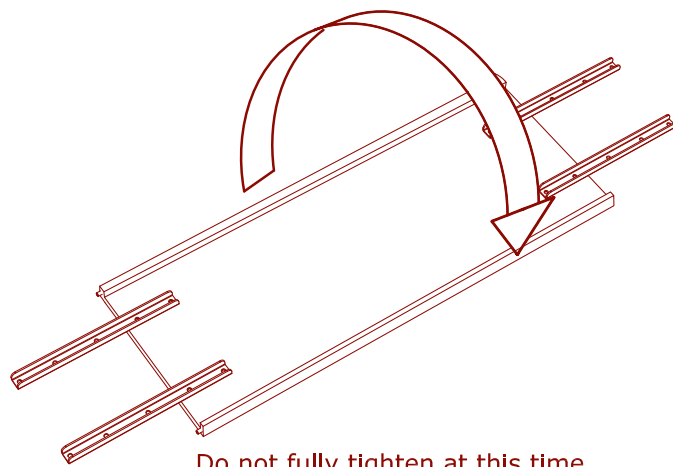
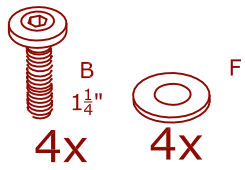
6.



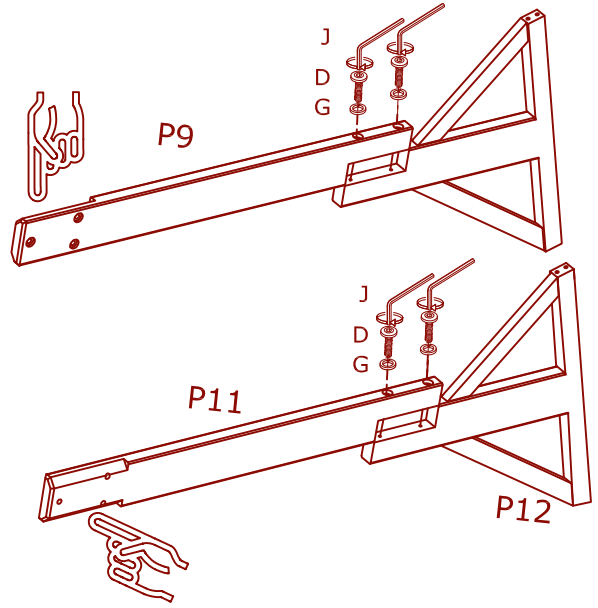
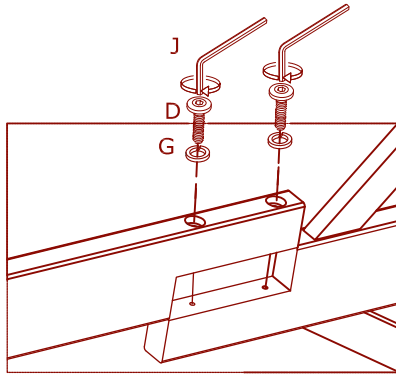
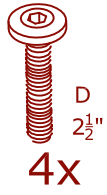
7



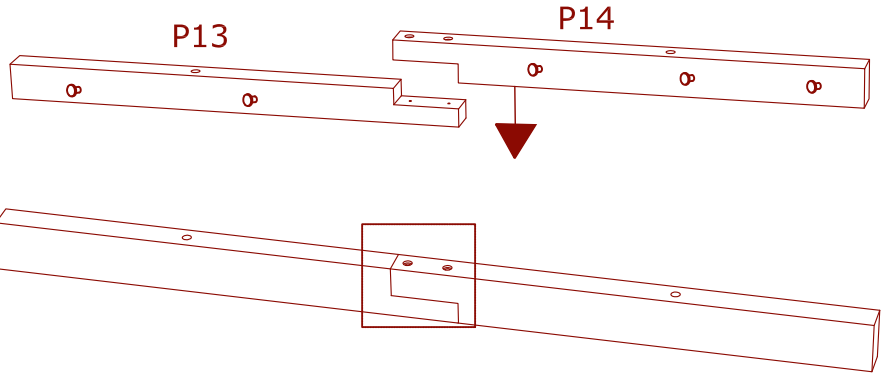
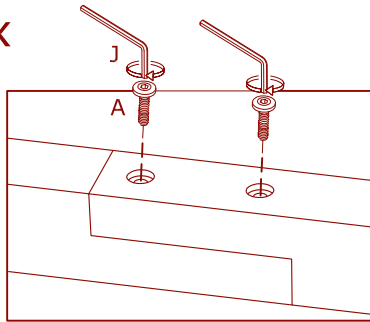
8



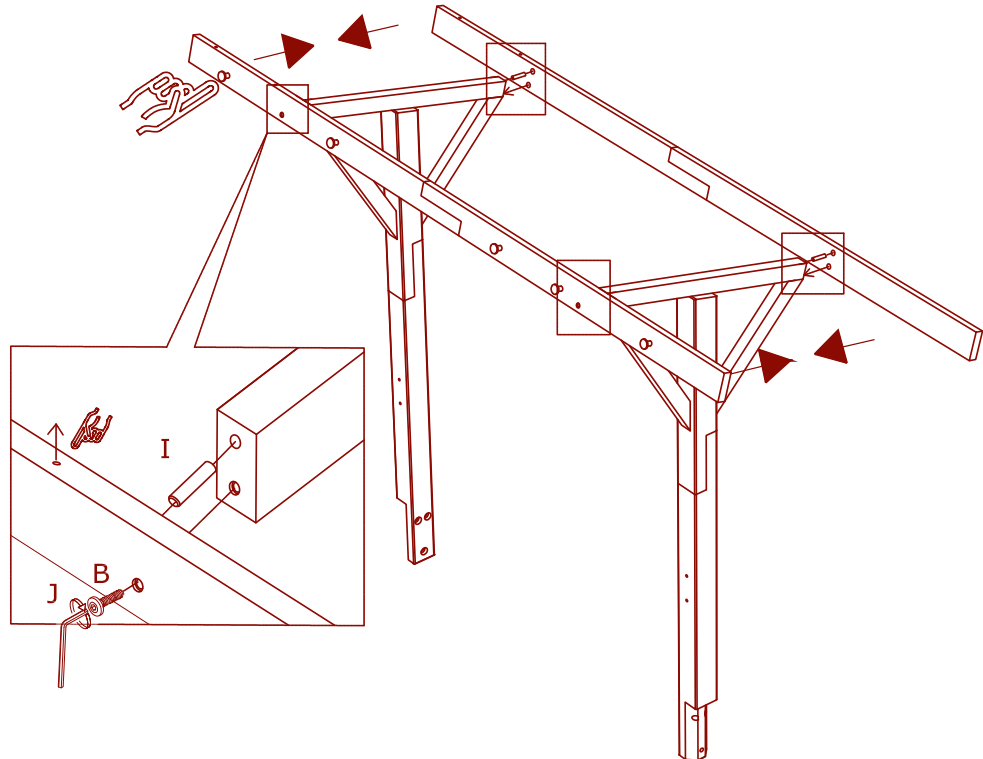
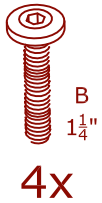
9



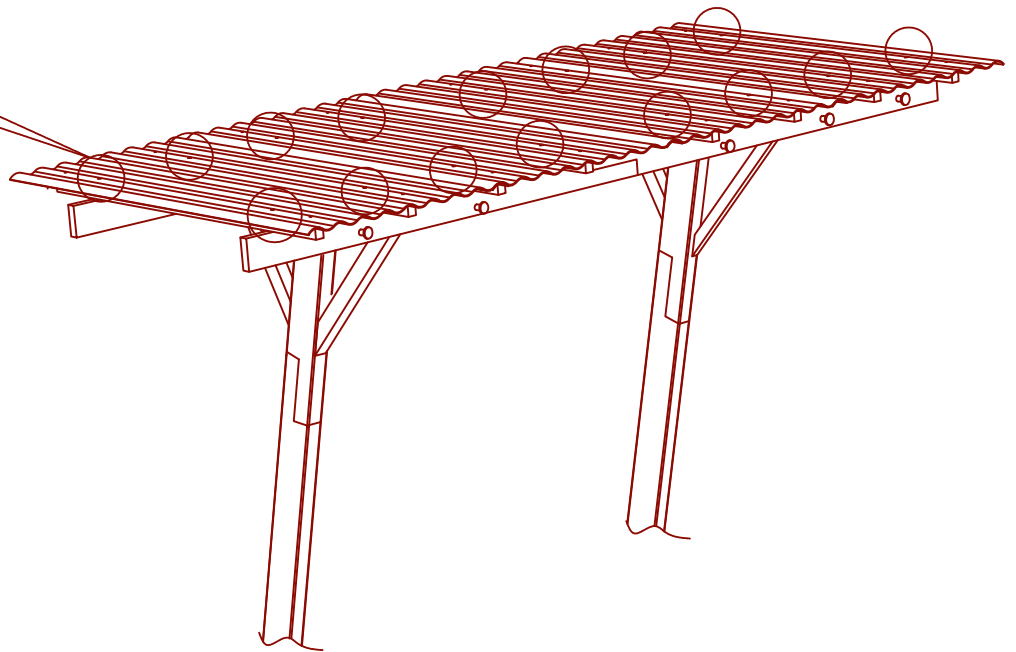
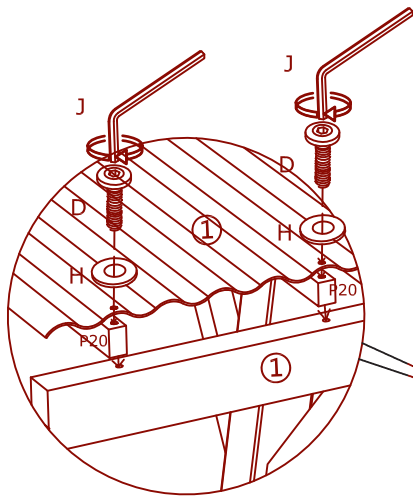
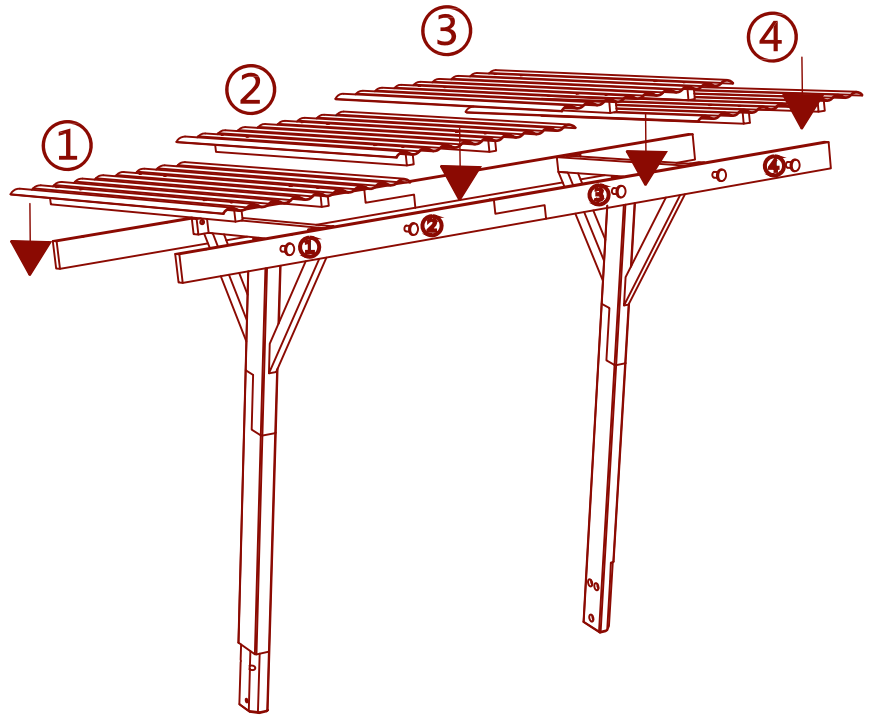
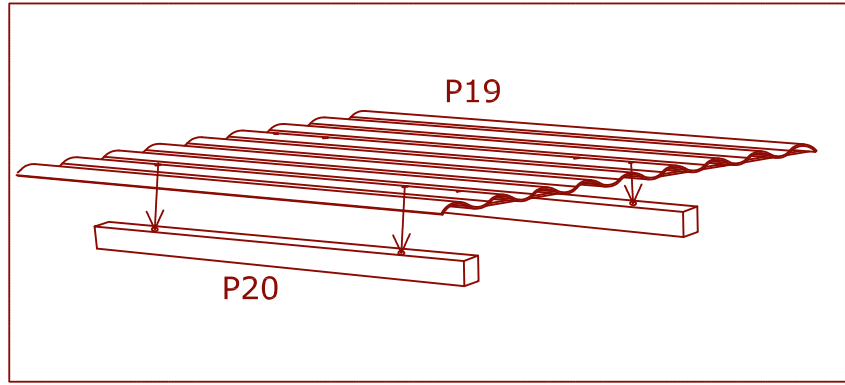
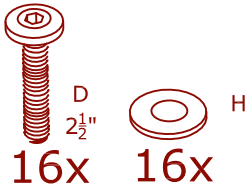
10



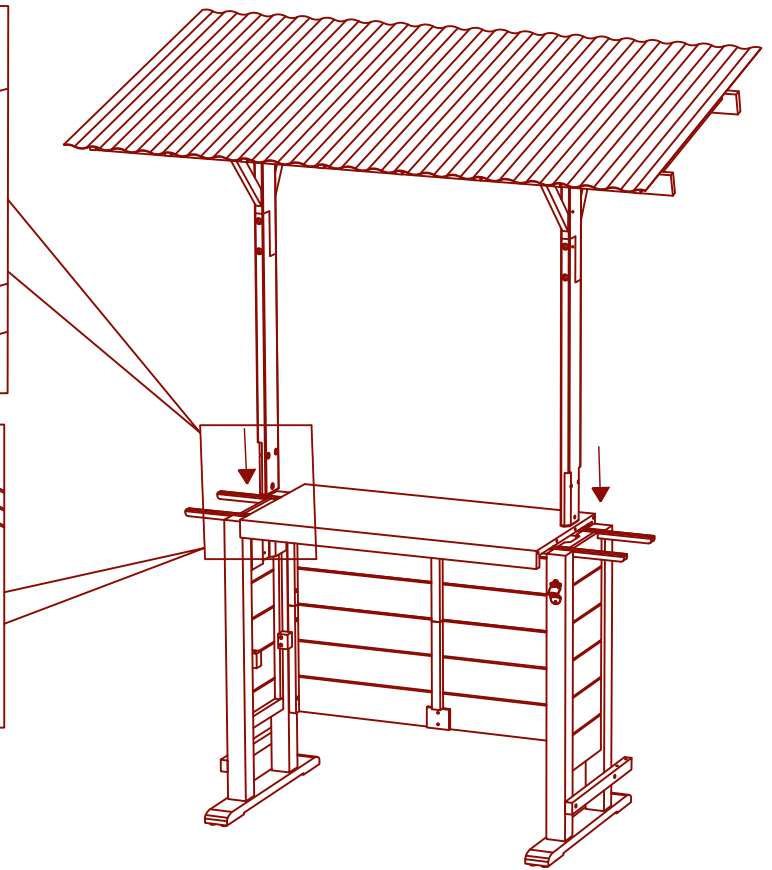
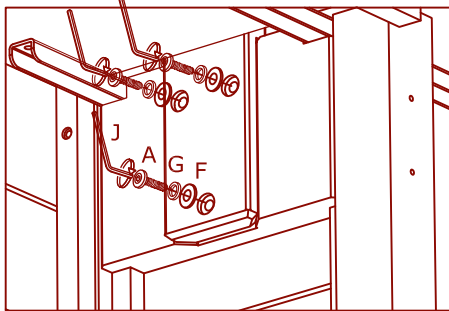
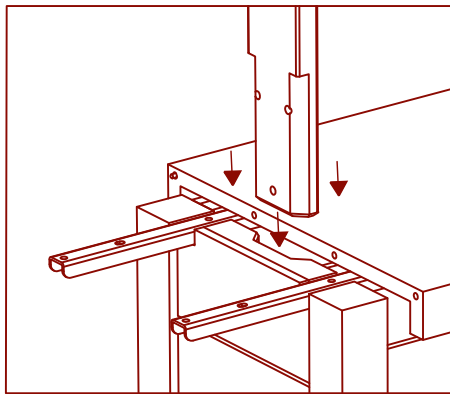
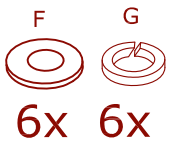
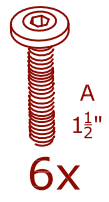
11



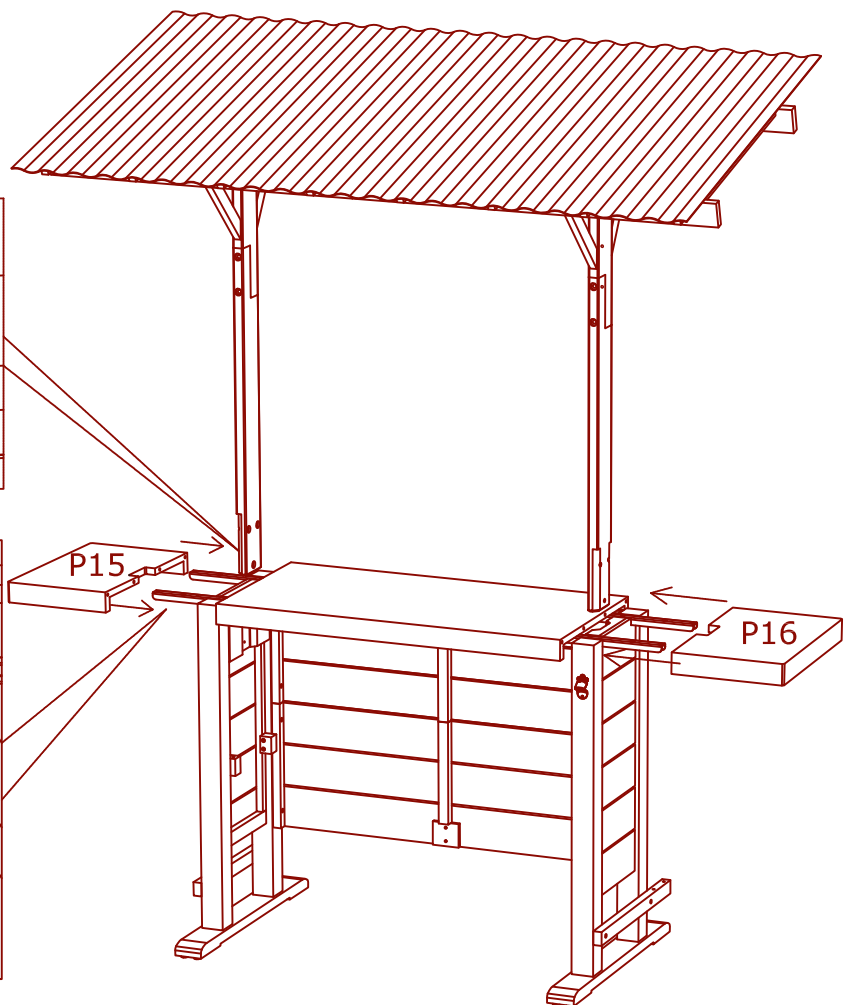
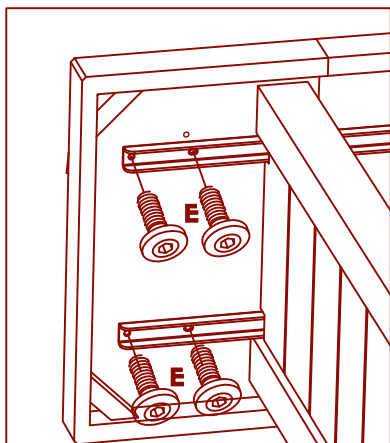
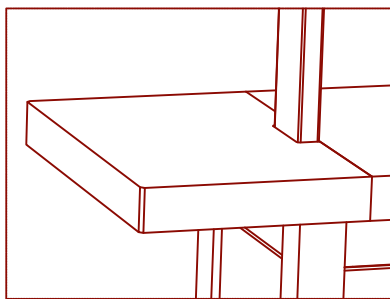
12



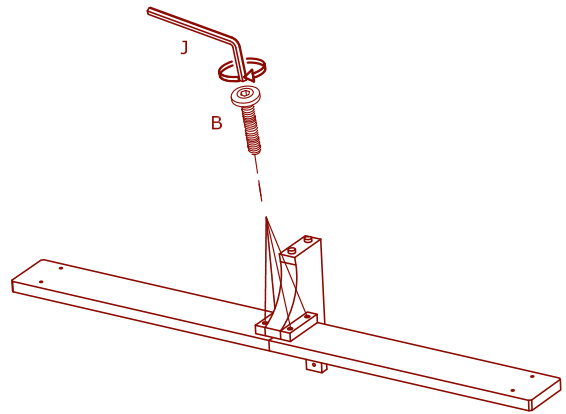
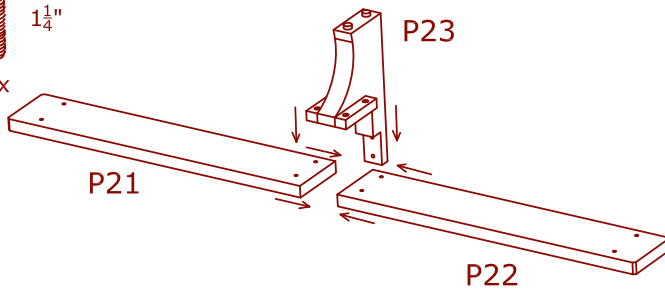
13



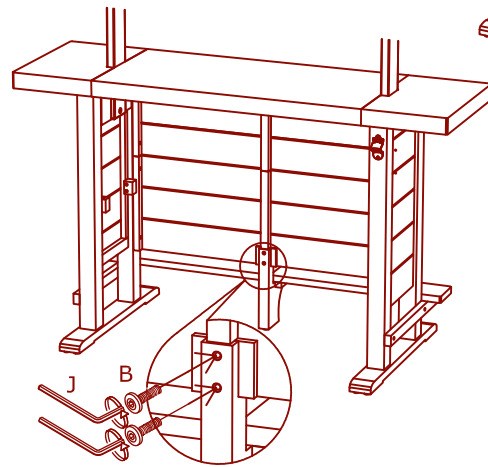
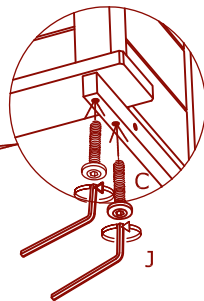
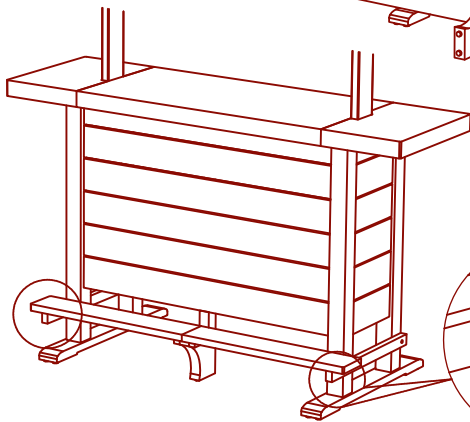
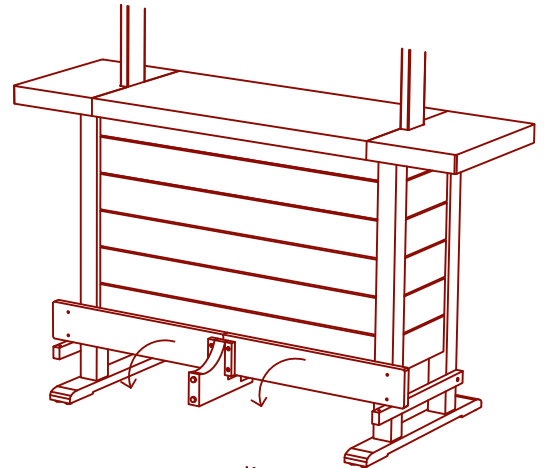
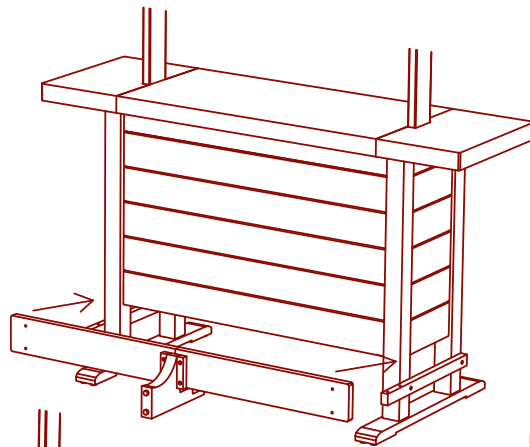
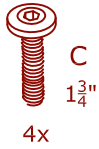
14



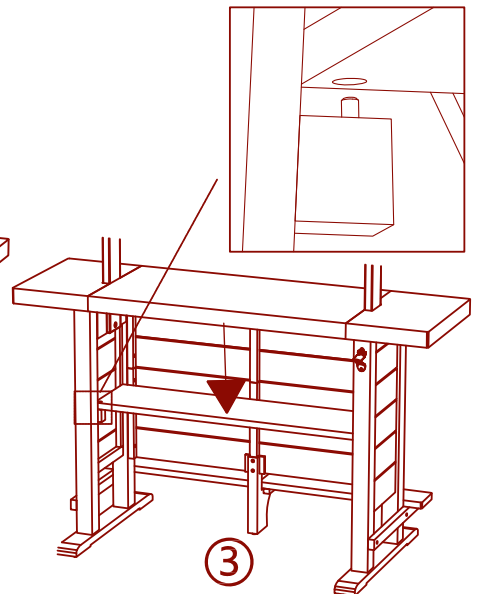
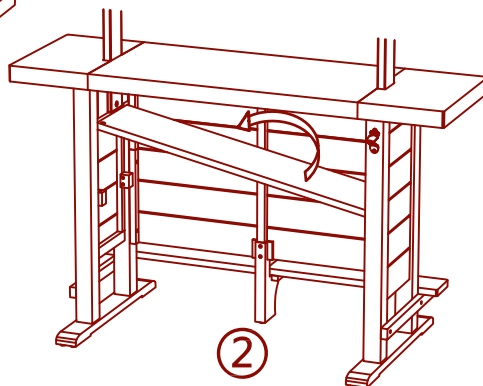
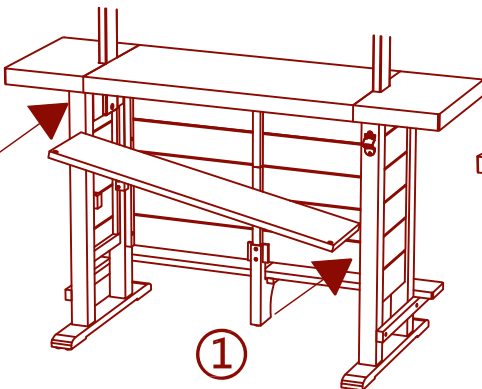
15

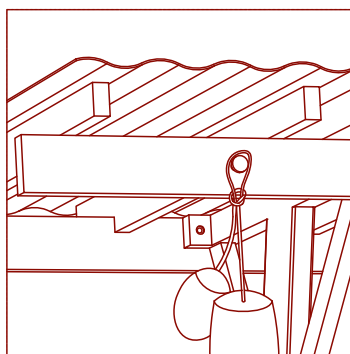


16

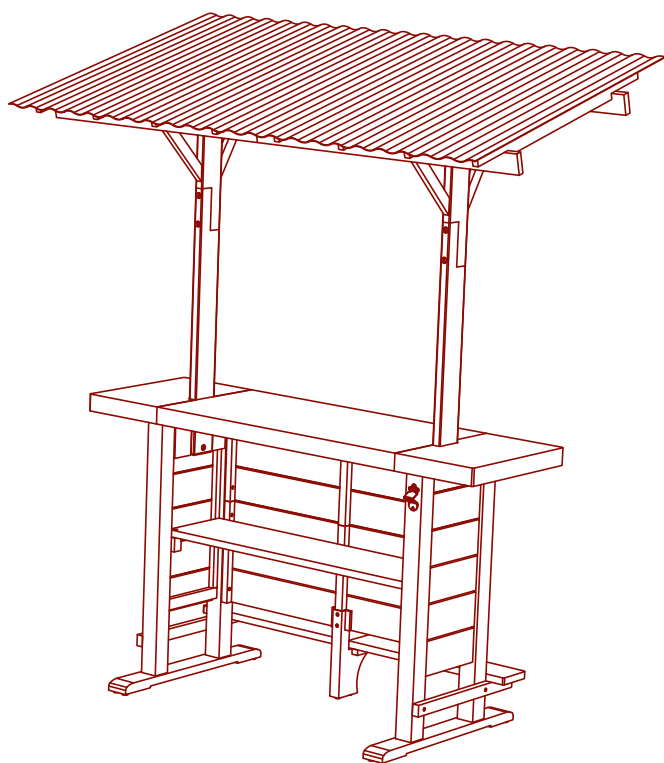
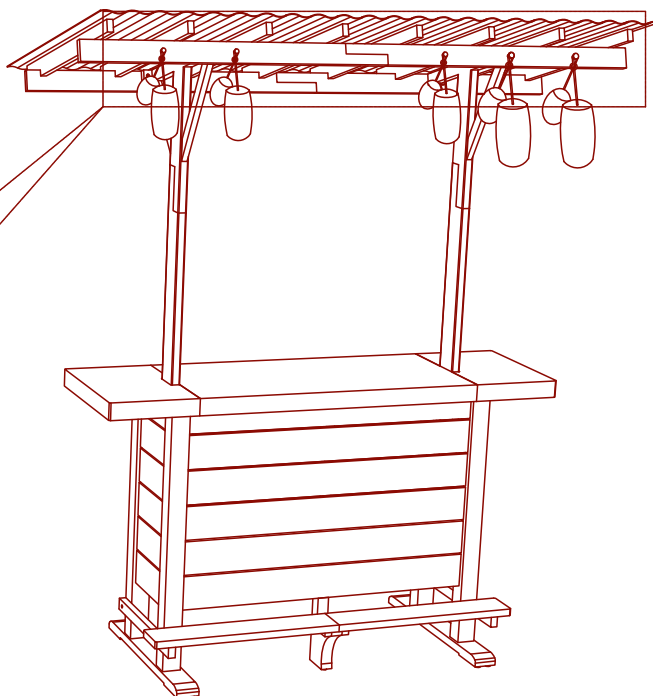


17





P17



Care and Maintenance

By following these simple guidelines you will ensure that your bar will maintain its appeal for years to come.

- After a period of about 60 days and/or a change in season, re-tighten all bolts and screws. **Do not over tighten screws.**
- When cleaning your bench, use only dish soap and water. Spray cleaners often contain ammonia and will weaken the paint.
- To protect and preserve your bar apply a yearly coat of clear enamel spray to any areas that show scratching or damage.
- Pay attention to the areas where your bar touches the ground. If the paint has been removed due to wear you will need to attend to these areas. Just apply a clear enamel spray that will help seal and protect your bar from further damage.

Missing a part? Call our **TOLL FREE NUMBER 1-800-PARTS-90**. Usually we can send out a **FREE replacement within 72 hours**. There is no charge for the missing parts.

Office Hours: 8:00 am to 5:00 pm EST.

RIO Brands • 10981 Decatur Rd. • Phila, PA 19154 • www.riobrand.com

Limited Warranty

Our bar is warranted for one year from date of purchase against defect in materials or workmanship. Proof of Purchase is required. We will replace or repair, at our option, any tiki bar found to be defective. This warranty does not cover normal wear and tear, abuse, neglect or accident.

Transferability: This warranty is not transferable. Other Conditions: This warranty replaces all other oral or written warranties, liabilities or obligations of the manufacturer. Pertinent state law shall control for what period of time following the purchase a consumer may seek a remedy under the implied warranty of merchantability or fitness for a particular purpose. In no event shall the manufacturer be liable for consequential or incidental damages of any kind resulting from the breach of this warranty. Some states do not allow limitations on, or the exclusion of, incidental or consequential damages, so the above exclusions may not apply to you.

This warranty gives you specific legal rights, and you may also have other rights, which vary from state to state.