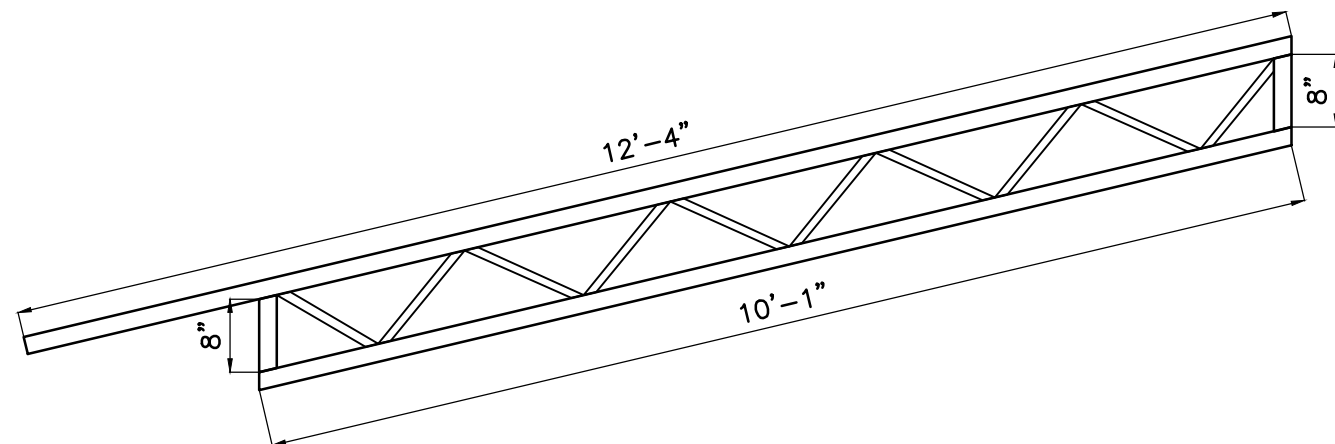
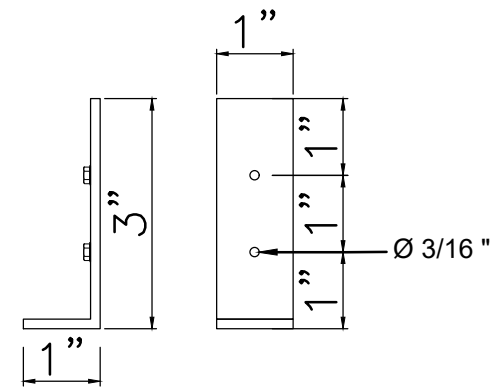


**DETAIL - POST**  
SCALE \_\_\_\_\_ NONE

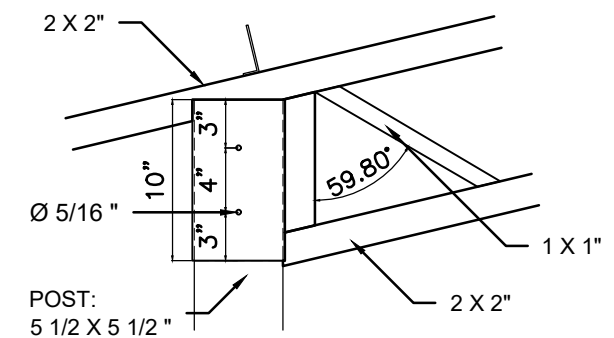
**DETAIL 1 - POST BOOT**  
SCALE \_\_\_\_\_ NONE



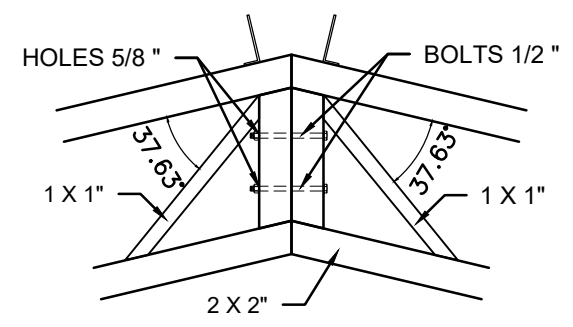
**DETAIL - BEAM**  
SCALE \_\_\_\_\_ NONE



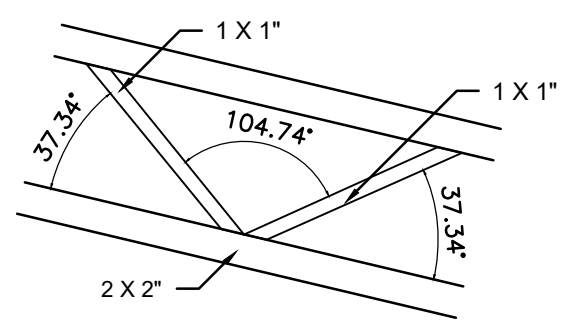
**DETAIL 3 - "L" BEAM CONNECTORS**  
SCALE \_\_\_\_\_ NONE



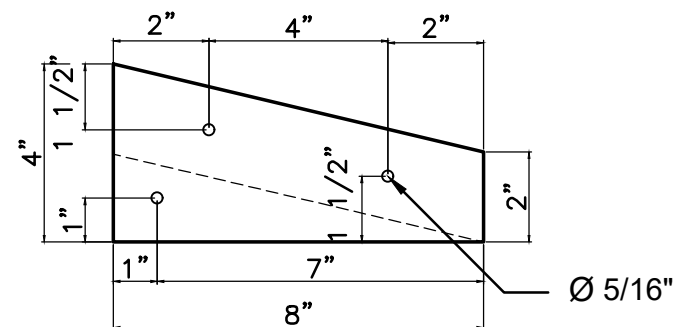
**DETAIL 2 - POST SLEEVE**  
SCALE \_\_\_\_\_ NONE



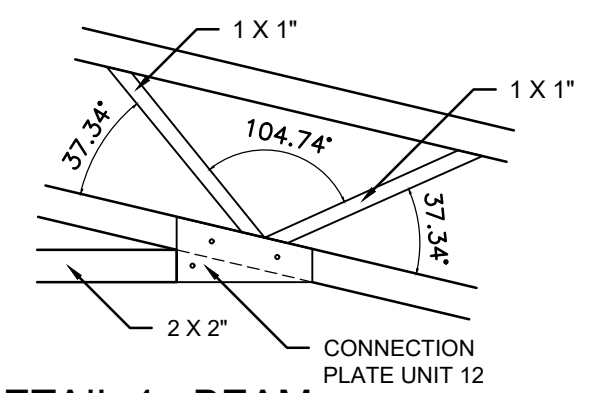
**DETAIL 6 - CONNECTION**  
SCALE \_\_\_\_\_ NONE



**DETAIL 5 - BEAM**  
SCALE \_\_\_\_\_ NONE



**DETAIL CONNECTION PLATE**  
SCALE \_\_\_\_\_ NONE



**DETAIL 4 - BEAM**  
SCALE \_\_\_\_\_ NONE