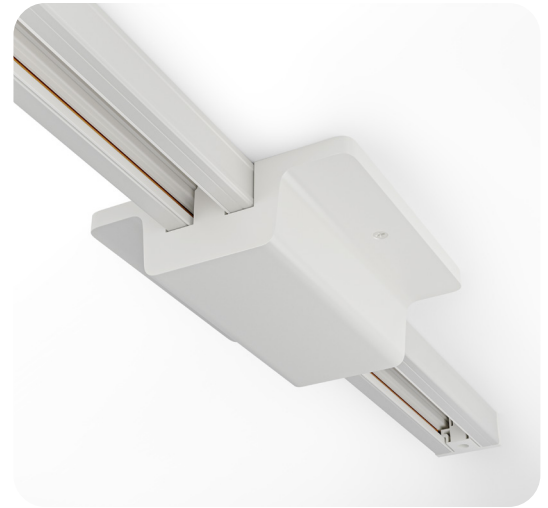
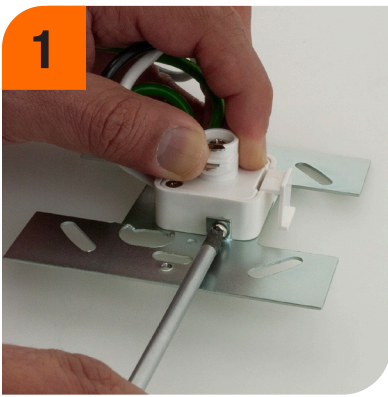


Track Light Installation Instructions



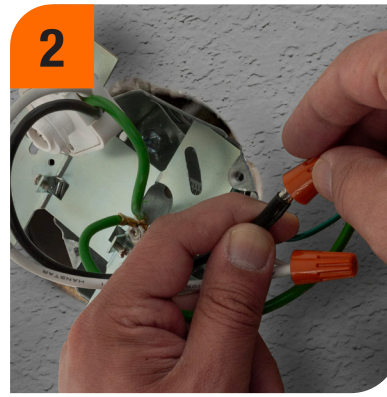
Warning: Ensure to **TURN OFF** the power to the area where you'll be working for safety purposes. Failure to do so may result in electrical hazards or accidents. Always prioritize safety by disconnecting the power source before beginning any work.

Track Floating Canopy



1

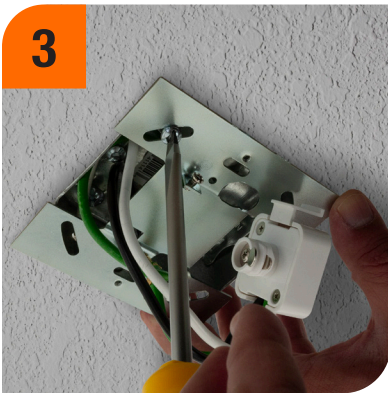
- To separate the track connector from the mounting plate, simply loosen the two screws.



2

- Connect the track connector to the wires from the electrical box using the provided wire connector caps.

** Make sure to connect the same color wire to each wire.*



3

- Fasten the mounting plate to the electrical box using the provided screws.



4

- Attach the track channel to the mounting plate using the two screws on the sides.



5

- Connect the track connector to the track channel by twisting it.

** Make sure to twist it in the correct direction.*



6

- Screw the canopy to the mounting plate using the provided screws to cover the wires.

Track Monopoint Canopy

1



- Fasten the mounting plate to the electrical box using the provided screws.



2



- Connect the track connector to the wires from the electrical box using the provided wire connector caps.

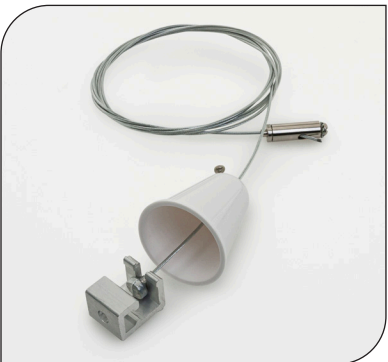
** Make sure to connect the same color wire to each wire.*

3

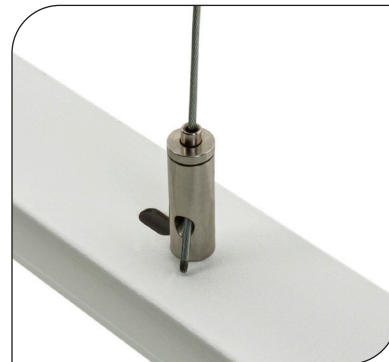


- Screw the canopy to the mounting plate using the provided screws to cover the wires.

Track Light Suspension Kit



- A track light suspension kit is an accessory used to suspend track lighting fixtures from the ceiling.



- Fasten the gripper into the track channel using the provided screw, and feed the cable through the gripper hole. Adjust the height by pushing the cable holder down.

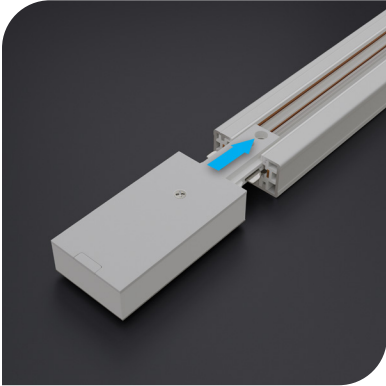


- Attach the mounting to the ceiling, then use the provided screw on the cover to secure it onto the cable.



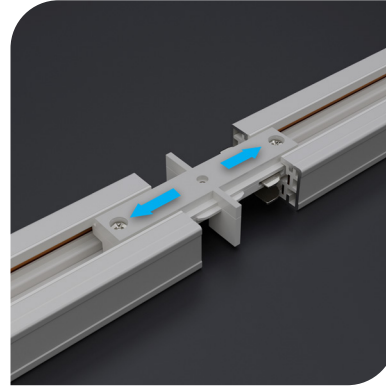
Track Light Accessories

Track Live End



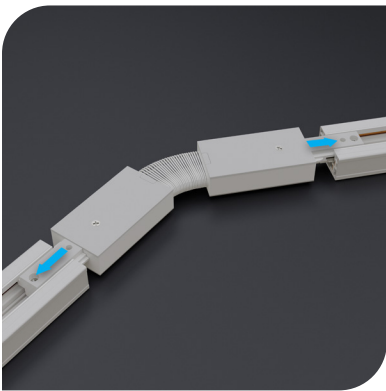
- To use a track live end, first locate the live end of the track, then connect it to the power supply, secure it onto the track, and test the system to ensure proper installation and functionality.

Track Mini Joiner



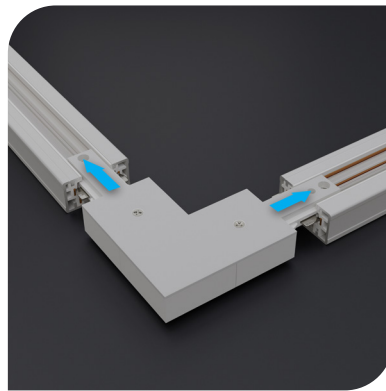
- A track mini joiner is a connector for joining track lighting sections together seamlessly.

Track Angle Joiner



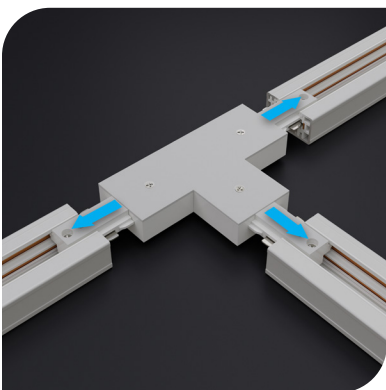
- A track angle joiner is a connector used to join two sections of track lighting at an angle, allowing for flexibility in track layout and direction changes.

Track L-Shape Joiner



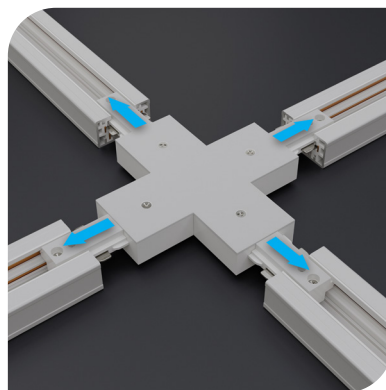
- A track L-shape joiner is a connector used to join two sections of track lighting at a right angle, creating an L-shaped configuration.

Track T-Shape Joiner



- A track T-shape joiner is a connector designed to join three sections of track lighting together, forming a T-shaped configuration.

Track Cross Joiner



- A track cross joiner is a connector designed to join four sections of track lighting together at right angles, forming a cross-shaped configuration.