

Plug-in Outlet with Wi-Fi Technology

decora smart™



WORKS WITH AUGUST DOOR LOCKS

Utilize August's auto-unlock feature to run My Leviton lighting Activities when you return home.

WORKS WITH IFTTT (IF THIS THEN THAT)

Use the free IFTTT service to connect your My Leviton devices with other Internet Of Things (IoT) enabled devices & services to create a smarter home automation experience.

AMAZON ALEXA VOICE CONTROL

Compatible with all products that support Amazon Alexa providing voice control of the load: "Alexa, turn on living room lights". Alexa devices sold separately.

GOOGLE ASSISTANT VOICE CONTROL

"Ok Google, turn [My Leviton device name] On". Works with the Google Assistant. Google Home is a voice enabled speaker powered by the Google Assistant. Easily control smart devices around the home. (Google Assistant devices sold separately).

APPLICATIONS

Schedule your plug-in lamps, holiday lighting or small appliances to turn on/off from anywhere. Installation is simple and requires no new wiring – simply plug in the device. Control connected loads and lights using the free My Leviton app for iOS and Android, no hub required. Simplify control of the residence - schedule lights and connected loads to turn on/off at specific times or based on sunrise/sunset, easily group smart devices into rooms, and create scenes to activate multiple loads at once.

Integrates with IFTTT. Utilize auto-shutoff feature as a countdown timer in closets, hallways and bathrooms. Engage home vs. away to enact randomization of lighting control, providing a lived-in appearance.

Ideal for any residential setting where remote ON/OFF switching of appliances, motor loads up to 1/2 HP, or freestanding lights, including LED, Incandescent, Inductive, Fluorescent or Compact Fluorescent loads is needed. Typical applications include switching of lamps, portable fans, kitchen appliances, indoor fountains and more.

Reduce energy consumption, provide dramatic scene transitions, and utilize the affordable plug-in for wireless control of lamps, small appliances, holiday lighting and more.

BENEFITS

- Control your lights from anywhere using the free My Leviton app for iOS and Android, no hub required.
- Amazon Alexa products provide voice control: "Alexa, turn on living room lights".
- Works with Google Assistant including Google Home for voice control. "Ok Google, turn [Google room name] On".
- Works with August - Utilize auto-unlock to run Activities when you return home
- Integrate with IFTTT for additional third-party functionality
- Simplify control of your home – schedule lights and connected loads to turn on/off at specific times or based on sunrise/sunset, easily group your smart devices into rooms, and create scenes to activate multiple lights at once.

Leviton Manufacturing Co., Inc. Global Headquarters

201 N. Service Rd. Melville, NY 11747-3138 Tech Line: 1-800-824-3005 Fax: 1-800-832-9538

Leviton Manufacturing Co., Inc. Residential.

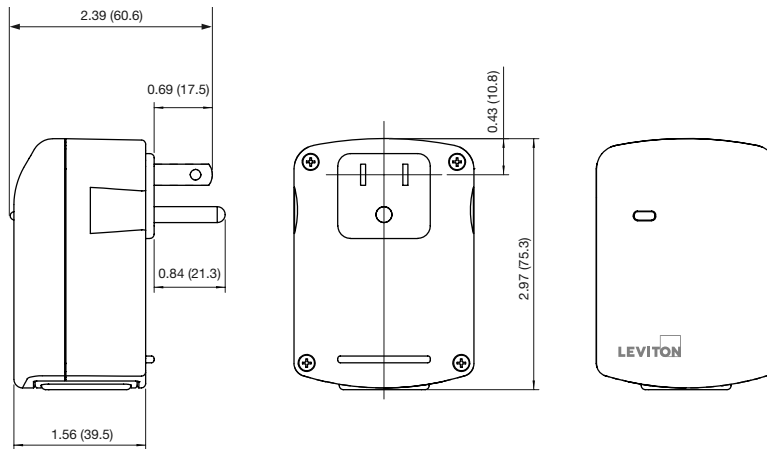
865 Fulton St., Suite 500, New Orleans, LA, 70130. Tel: 504 608-9001

Visit our Website at: www.leviton.com/decorasmart

©2019 Leviton Manufacturing Co., Inc. All rights reserved. Subject to change without notice.

DRAWING

DW15A



FEATURES

- Quiet relay switching
- Transient surge protection to IEC Level 4
- ESD protection to IEC 1000 4-2 Level 4 to protect against damage
- Indoor use
- Green LED locator
- Provides 15A, 120 VAC NEMA 5-15R grounding receptacle for use with a wide variety of lamps and appliances
- Protected memory maintains ON/OFF status of loads and during minor power fluctuations
- Button for ON/OFF manual control
- Control up to 99 devices, 50 rooms, 50 activities, and 50 schedules per residence and up to 20 residences per account.

RATINGS

- 120 VAC, 60 Hz
- 1800W Incandescent
- 5A LED/CFL
- 1800VA Fluorescent
- 15A Resistive
- 1/2 HP Motor

AGENCY STANDARDS AND COMPLIANCE

- Complies with UL 917
- CSA Certified (File #003413)
- NOM-ANCE Certified
- Wi-Fi CERTIFIED™
- Complies with FCC Part 15, Class B

WARRANTY INFORMATION

- Five-Year Limited Warranty

ORDERING INFORMATION

DESCRIPTION	CAT. NO.
Plug-In Outlet with Wi-Fi Technology - 120VAC 60Hz, Resistive, 1800W, 15A, Incandescent, 1800W, 15A LED/CFL; 5A, Fluorescent, 1800W, 15A, Inductive, 1800VA, 15A, Motor, 1/2HP, 9.8A	DW15A-1BW

Leviton Manufacturing Co., Inc. Global Headquarters

201 N. Service Rd. Melville, NY 11747-3138 Tech Line: 1-800-824-3005 Fax: 1-800-832-9538

Leviton Manufacturing Co., Inc. Residential.

865 Fulton St., Suite 500, New Orleans, LA, 70130. Tel: 504 608-9001

Visit our Website at: www.leviton.com/decorasmart

©2019 Leviton Manufacturing Co., Inc. All rights reserved. Subject to change without notice.

SAT-10111
REV NOV 2019