

## Black LED Track Light Head Dimmable 120V 20W 5CCT

### SPECIFICATIONS



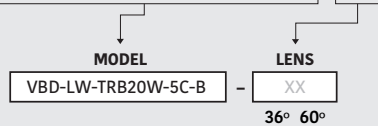
Model No.	VBD-LW-TRB20W-5C-B-xx
Voltage	120V AC
Wattage	20W
Color Temperatures	5CCT Selectable Color Temperature (2700K-3000K-3500K-4000K-5000K)
Material	Aluminum
Available Lens (Beam Angle)	36° • 60°
Rendering Index	CRI92
Dimmable	Yes (Triac Dimming)
IP Rating	IP20 (Indoor use only)
Type	H-Type
Certification	ETL/FCC

### Features

- Dimmable with 5 CCT options for customizable lighting.
- Energy-efficient with 20W power consumption.
- Operates at 120V Type H voltage.
- Different beam angle lens available for versatile illumination.
- Flexible positioning along the track for adjustable lighting direction.
- Minimalistic design complements various interior styles.
- Easy installation suitable for residential and commercial applications.

### ORDERING GUIDE

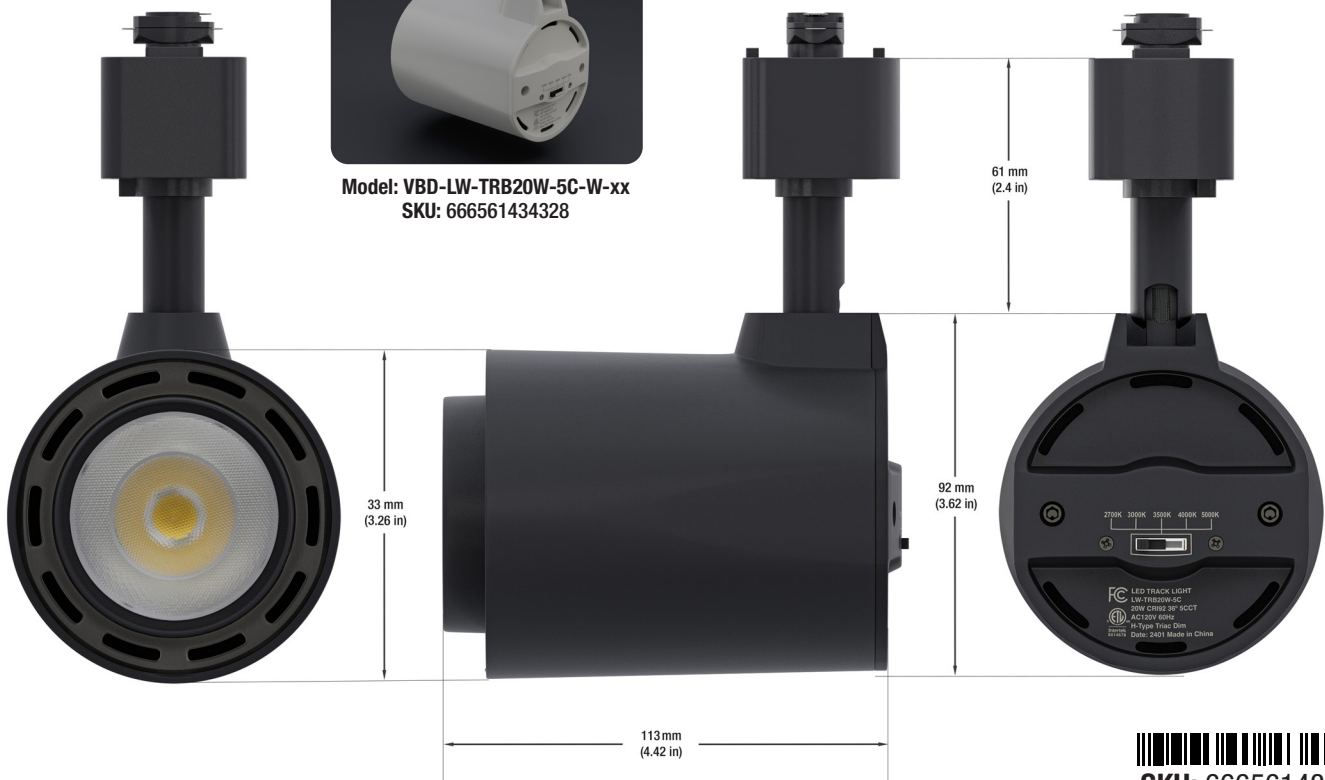
Example part number: **VBD-LW-TRB20W-5C-B-XX**



Available in White Color



Model: VBD-LW-TRB20W-5C-W-xx  
SKU: 666561434328



Job Name: \_\_\_\_\_

Distributor: \_\_\_\_\_

Type: \_\_\_\_\_



SKU: 666561434335

### Disclaimer:

The data and information contained in this specification sheet are subject to change without notice; the ratings supplied are provided based on the product manufacturer. The information contained in this specification sheet should not be considered a warranty, expressed or implied, including, but not limited to, a warranty of merchantability or fitness for a particular purpose. In no event shall Veroboard be liable for any incidental or consequential damages resulting from the use, misuse, or inability to use the product. This exclusion applies regardless of whether such damages are sought based on breach of warranty, breach of contract, negligence, strict liability in tort, or any other legal theory.

**AVAILABLE LENSES** *The track light comes with a lens of your choice; other extra lenses are sold separately.*



36° Beam Angle

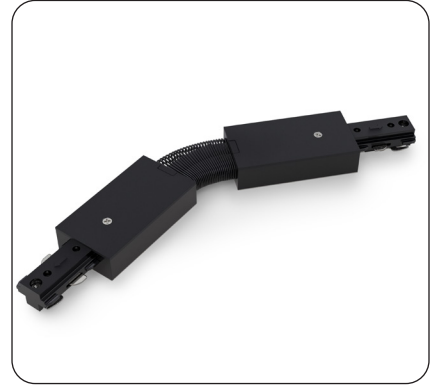


60° Beam Angle

**AVAILABLE ACCESSORIES**  
*(Sold separately)*



Track Mini Joiner H-Type  
Model: VBD-0333-MJB  
SKU: 666561434410



Track Angle Joiner H-Type  
Model: VBD-0339-FJB  
SKU: a666561434496



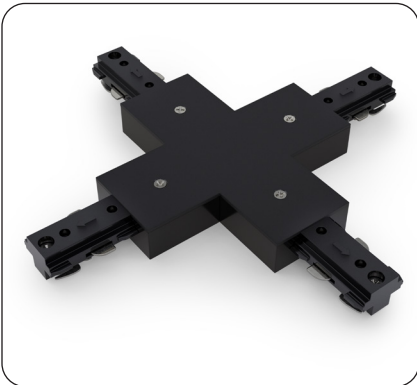
Track Live End Joiner H-Type  
Model: VBD-0331-LEB  
SKU: 666561434397



Track L Joiner H-Type  
Model: VBD-0335-LJB  
SKU: 666561434434



Track Mini T Joiner H-Type  
Model: VBD-0336-TJB  
SKU: 666561434458



Track Cross Joiner H-Type  
Model: VBD-0337-CJB  
SKU: 666561434472



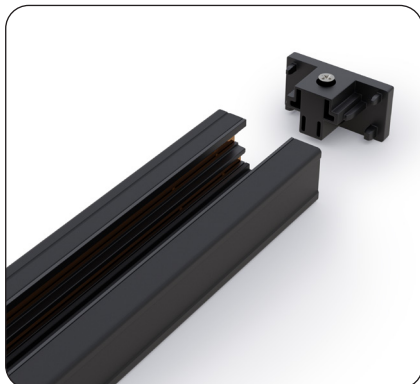
Track Floating Canopy H-Type  
Model: VBD-0341-FCB  
SKU: 666561434519



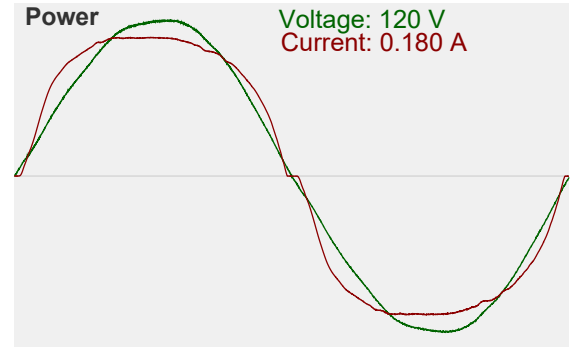
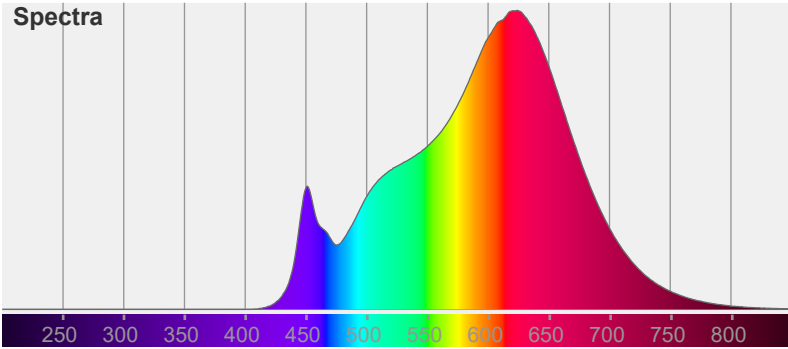
Track Monopoint Canopy H-Type  
Model: VBD-0343-MCB  
SKU: 666561434533



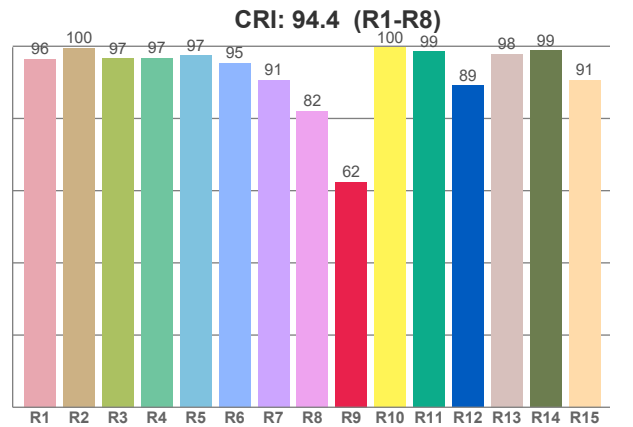
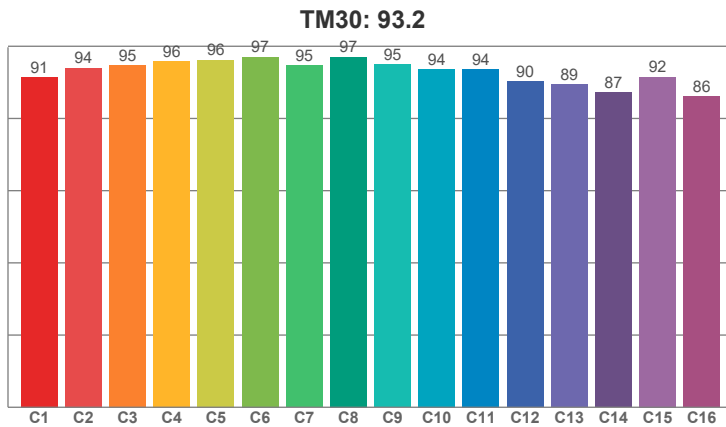
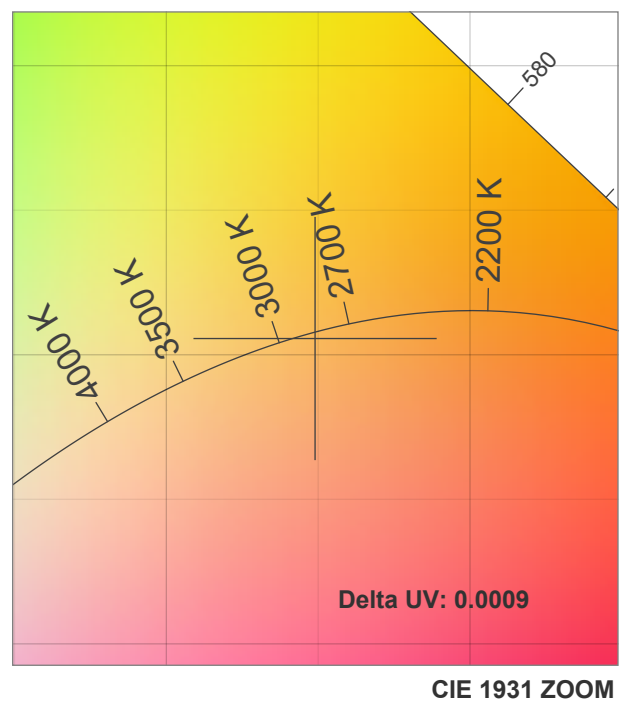
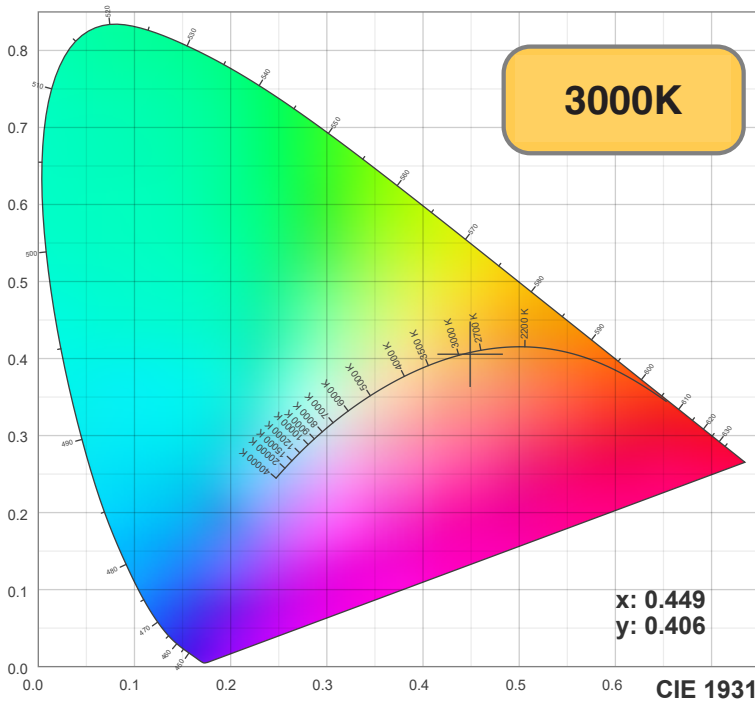
Track Cable Set H-Type  
Model: VBD-AIRC-6F-TLB  
SKU: 666561434557



8ft H-Type Track (End caps included)  
Model: VBD-0308-TCHB  
SKU: 666561434373



Light measurement was created using the Viso Systems - Light Inspector. [www.visosystems.com](http://www.visosystems.com)



**CRI R values, only R1-R8 are used to calculate final CRI value**

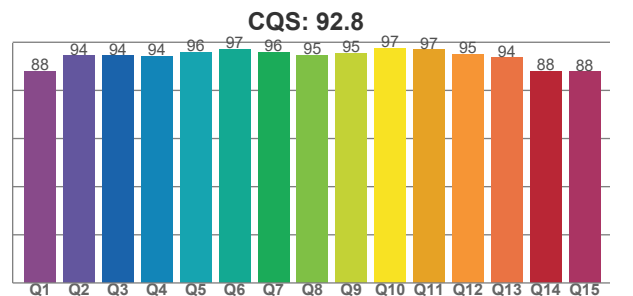
R1	R2	R3	R4	R5	R6	R7	R8	R9	R10	R11	R12	R13	R14	R15
96.47	99.57	96.70	96.82	97.41	95.37	90.66	82.13	62.47	99.75	98.61	89.14	97.93	98.87	90.69

**TM30 C values, 16 binned values out of total of 99 C values**

C1	C2	C3	C4	C5	C6	C7	C8	C9	C10	C11	C12	C13	C14	C15	C16
91.44	94.01	94.76	95.86	96.20	97.07	94.62	97.06	94.90	93.65	93.63	90.26	89.36	87.18	91.52	86.10

**CQS Q values**

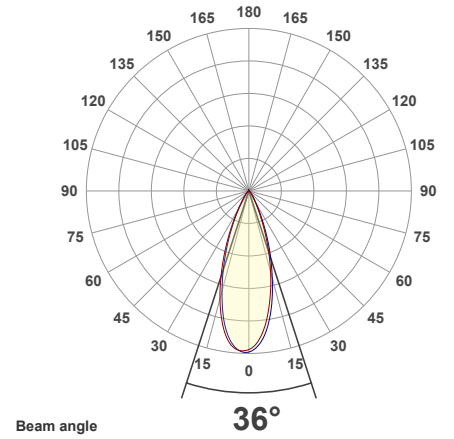
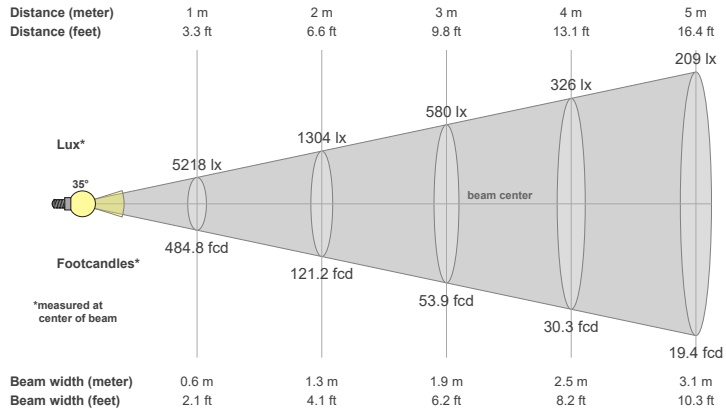
Q1	Q2	Q3	Q4	Q5	Q6	Q7	Q8	Q9	Q10	Q11	Q12	Q13	Q14	Q15
88.03	94.36	94.33	94.24	95.78	97.18	95.93	94.73	95.46	97.40	96.84	95.07	93.51	87.76	87.74



**Color parameters**

CCT	CRI	CRI R9	TM30 Rf	TM30 Rg	CQS	x	y	u	v	Duv
2823 K	94.4	62.5	93.2	98.7	92.8	0.4	0.4	0.3	0.3	-0.0009

### 36° LENS



### 60° LENS

