

Black LED Track Light Head Dimmable 120V 12W 5CCT

SPECIFICATIONS



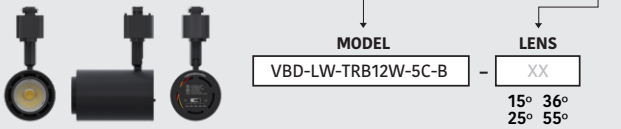
Model No.	VBD-LW-TRB12W-5C-B-xx
Voltage	120V AC
Wattage	12W
Color Temperatures	5CCT Selectable Color Temperature (2700K-3000K-3500K-4000K-5000K)
Material	Aluminum
Available Lens (Beam Angle)	15° • 25° • 36° • 55°
Rendering Index	CRI92
Dimmable	Yes (Triac Dimming)
IP Rating	IP20 (Indoor use only)
Type	H-Type
Certification	ETL/FCC

Features

- Dimmable with 5 CCT options for customizable lighting.
- Energy-efficient with 12W power consumption.
- Operates at 120V Type H voltage.
- Different beam angle lens available for versatile illumination.
- Flexible positioning along the track for adjustable lighting direction.
- Minimalistic design complements various interior styles.
- Easy installation suitable for residential and commercial applications.

ORDERING GUIDE

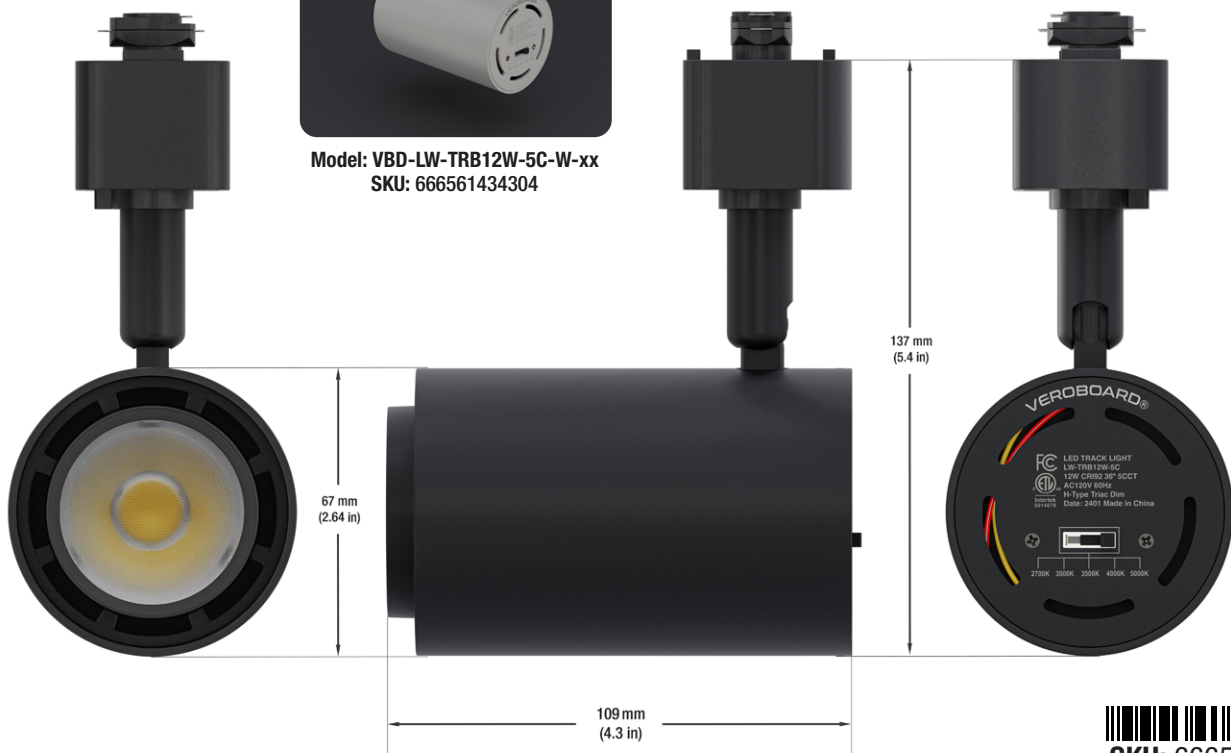
Example part number: **VBD-LW-TRB12W-5C-B - XX**



Available in White Color



Model: VBD-LW-TRB12W-5C-W-xx
SKU: 666561434304



Job Name: _____

Distributor: _____

Type: _____



- Lumens**
- 2700K: 850 Lm
 - 3000K: 870 Lm
 - 3500K: 900 Lm
 - 4000K: 950 Lm
 - 5000K: 1050 Lm



Disclaimer:

The data and information contained in this specification sheet are subject to change without notice; the ratings supplied are provided based on the product manufacturer. The information contained in this specification sheet should not be considered a warranty, expressed or implied, including, but not limited to, a warranty of merchantability or fitness for a particular purpose. In no event shall Veroboard be liable for any incidental or consequential damages resulting from the use, misuse, or inability to use the product. This exclusion applies regardless of whether such damages are sought based on breach of warranty, breach of contract, negligence, strict liability in tort, or any other legal theory.



AVAILABLE LENSES *The track light comes with a lens of your choice; other extra lenses are sold separately.*



15° Beam Angle



25° Beam Angle

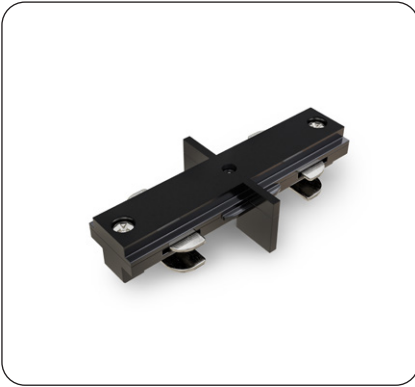


36° Beam Angle

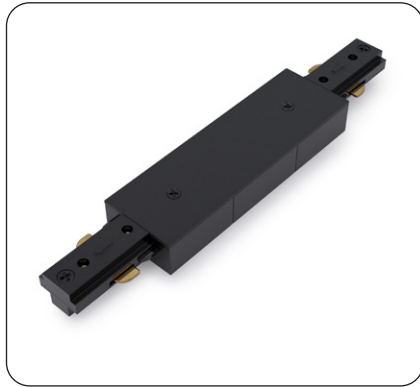


55° Beam Angle

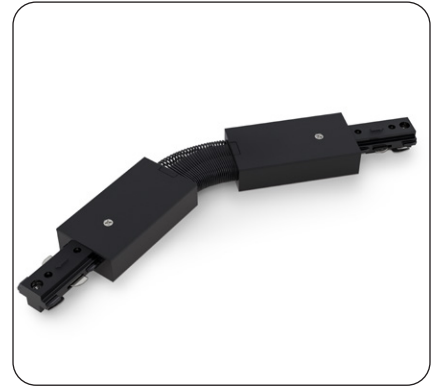
AVAILABLE ACCESSORIES (Sold separately)



Track Mini Joiner H-Type
Model: VBD-0333-MJB
SKU: 666561434410



Track Long Joiner H-Type
Model: VBD-RS3SI-B
SKU: a666561435196



Track Angle Joiner H-Type
Model: VBD-0339-FJB
SKU: a666561434496



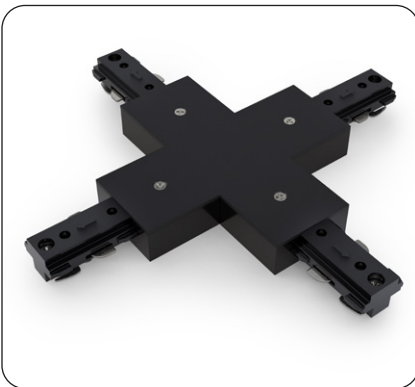
Track Live End Joiner H-Type
Model: VBD-RS3SP-B
SKU: 666561434397



Track L Joiner H-Type
Model: VBD-0335-LJB
SKU: 666561434434



Track Mini T Joiner H-Type
Model: VBD-0336-TJB
SKU: 666561434458



Track Cross Joiner H-Type
Model: VBD-0337-CJB
SKU: 666561434472



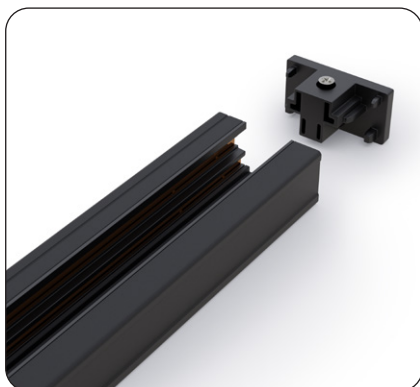
Track Floating Canopy H-Type
Model: VBD-0341-FCB
SKU: 666561434519



Track Monopoint Canopy H-Type
Model: VBD-0343-MCB
SKU: 666561434533



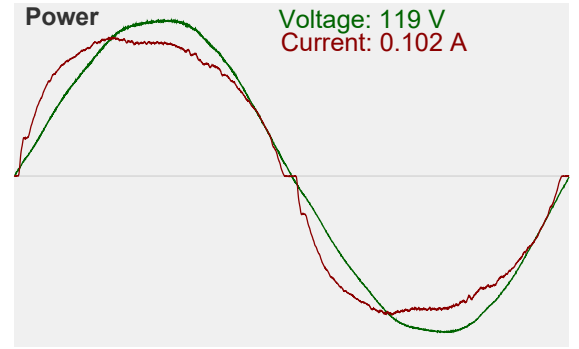
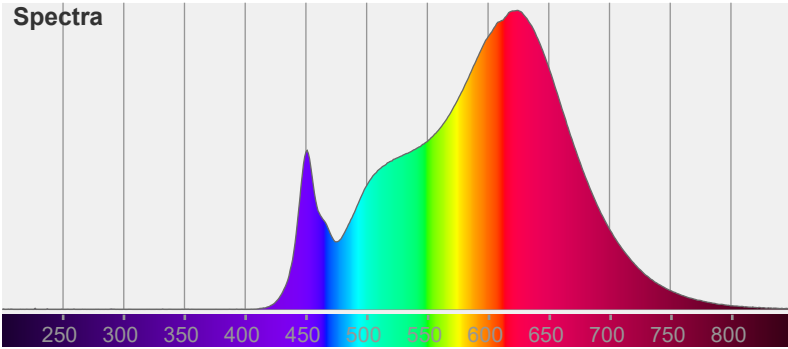
Track Cable Set H-Type
Model: VBD-AIRC-6F-TLB
SKU: 666561434557



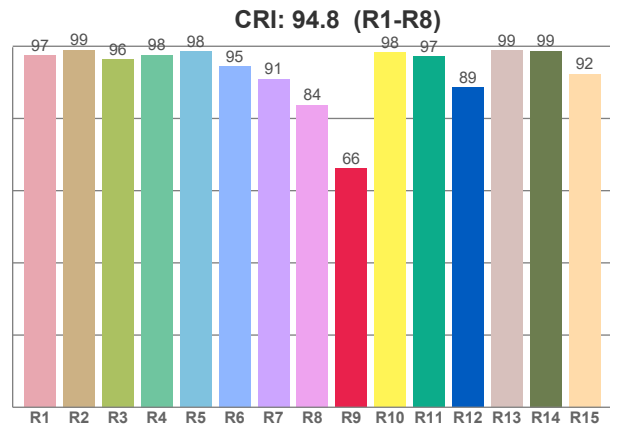
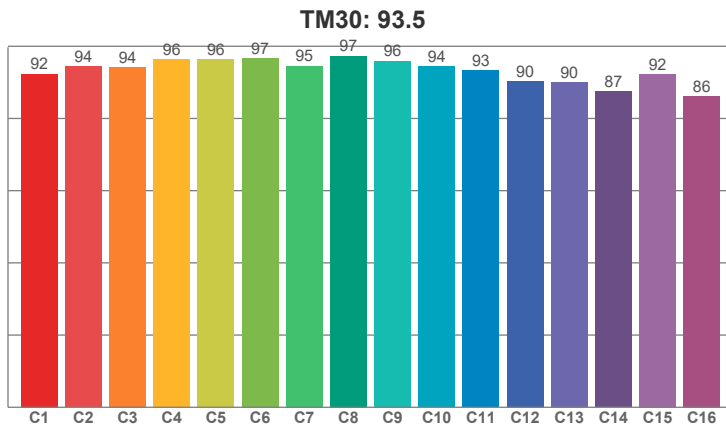
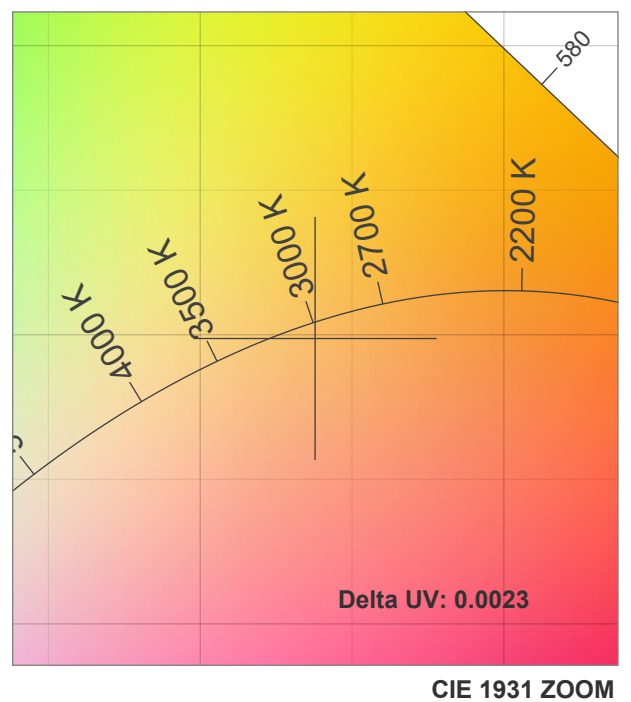
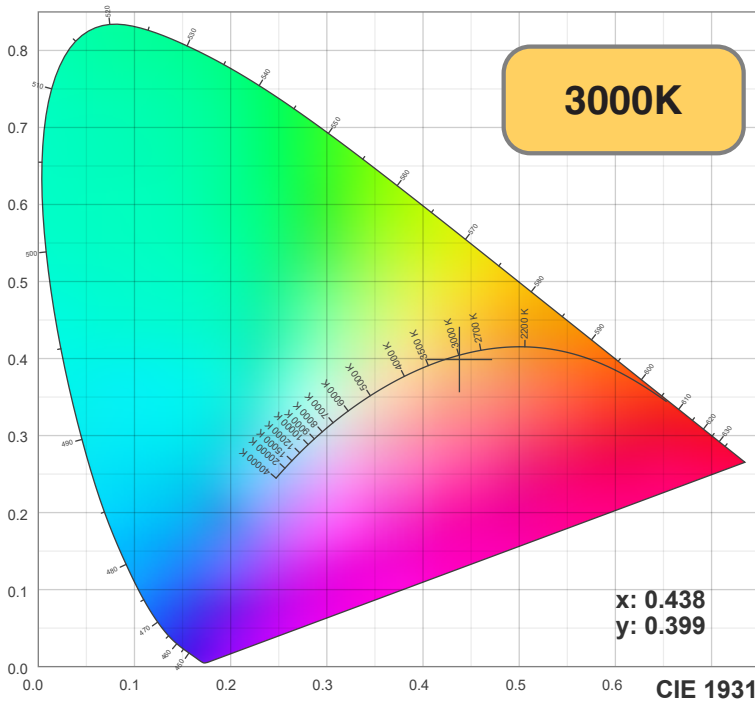
8ft H-Type Track (End caps included)
Model: VBD-0308-TCHB
SKU: 666561434373



Endcap
Model: VBD-RS3SE-B
SKU: 666561434755



Light measurement was created using the Viso Systems - Light Inspector. www.visosystems.com



CRI R values, only R1-R8 are used to calculate final CRI value

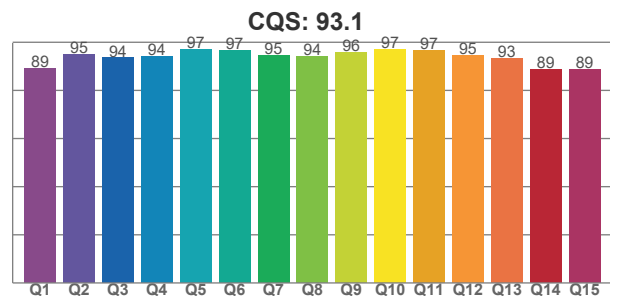
R1	R2	R3	R4	R5	R6	R7	R8	R9	R10	R11	R12	R13	R14	R15
97.41	98.97	96.43	97.62	98.49	94.51	91.00	83.75	66.14	98.23	97.14	88.51	98.79	98.72	92.31

TM30 C values, 16 binned values out of total of 99 C values

C1	C2	C3	C4	C5	C6	C7	C8	C9	C10	C11	C12	C13	C14	C15	C16
92.36	94.36	94.20	96.40	96.31	96.68	94.61	97.36	95.91	94.44	93.33	90.32	90.05	87.50	92.25	86.17

CQS Q values

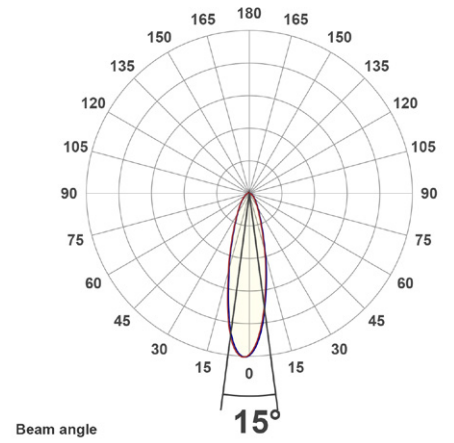
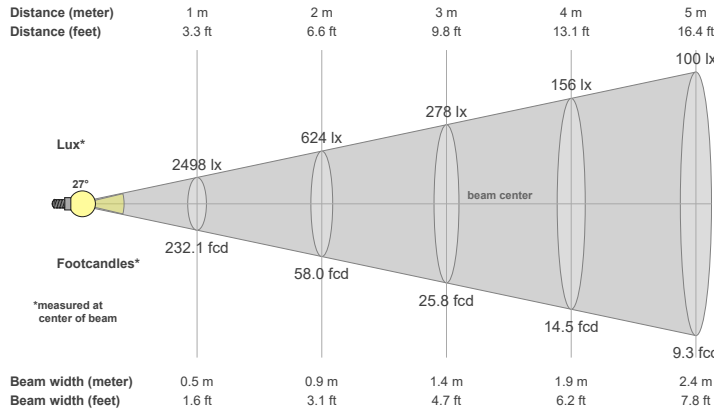
Q1	Q2	Q3	Q4	Q5	Q6	Q7	Q8	Q9	Q10	Q11	Q12	Q13	Q14	Q15
89.07	95.12	93.53	94.31	96.90	96.63	94.71	94.29	95.72	97.13	96.52	94.63	93.16	88.76	88.67



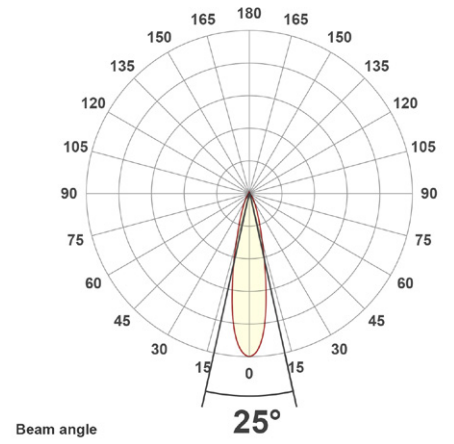
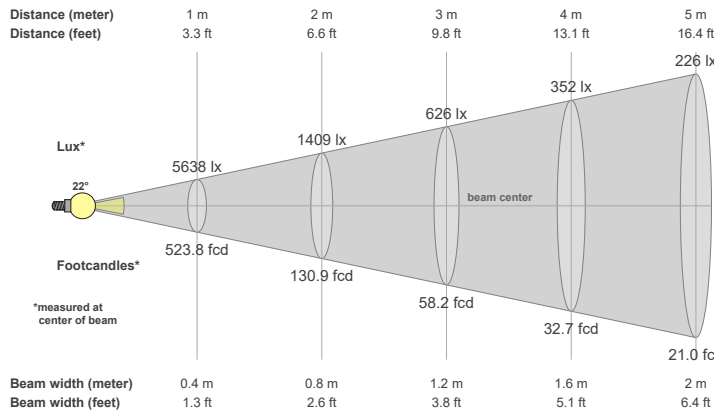
Color parameters

CCT	CRI	CRI R9	TM30 Rf	TM30 Rg	CQS	x	y	u	v	Duv
2944 K	94.8	66.1	93.5	99.9	93.1	0.4	0.4	0.3	0.3	-0.0023

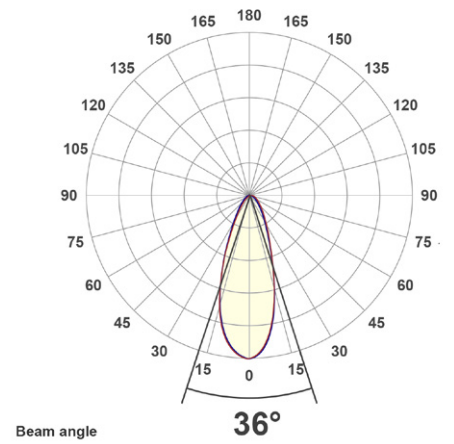
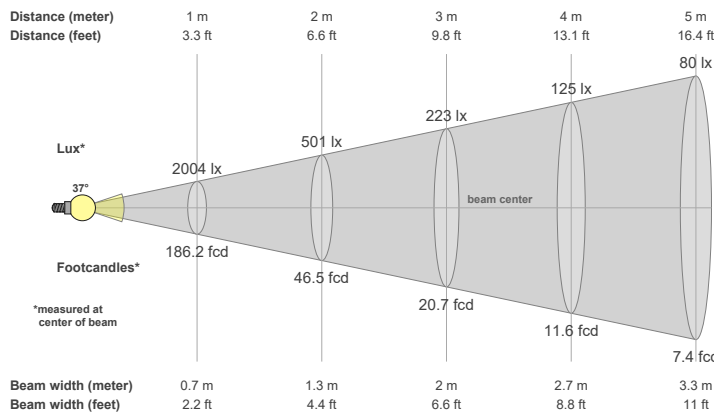
15° LENS



25° LENS



36° LENS



55° LENS

