

VEROBOARD®

X3 LED Cabinet Lights Kit



Model: VBUN-25-12-W3K-X3P

Job Name: _____

Distributor: _____

Type: _____



SKU: 666561433437

SPECIFICATIONS

Model:	VBUN-R25-12
Voltage:	12V DC
Wattage:	2.5W Each
LED Type:	3 x 5730 SMD
Brightness:	200-240Lm
Color Temperature:	3000K
Beam Angle:	120°
Material:	Aluminum
Body Color:	White
Dimmable:	Yes (included LED Driver is not dimmable)
Rendering Index:	CRI>90
IP Rating:	IP20 (Dry and damp locations)
Dimensions:	Ø62mm (2.43") Depth 8mm (0.31")
Cut Size:	56mm (2.1/8")

FEATURES:

- A lighting kit designed for contemporary kitchen cabinets, wardrobes, and shelves.
- Voltage of 12V DC and wattage of 2.5W, with 3 x 5730 SMD LEDs.
- Aluminum housing allows for efficient heat dissipation, with a long lifespan and low light decay.
- Can be used as both flush mount and surface mount, with a rated CRI>90 and meeting Canadian and United States standards with UL STD. C22.2.
- Easy to install with push springs for flush mount and direct screw-on surface mounting options.
- Comes with 3 feet of wire AWG 22, and depending on the wattage of the transformer, any number of lights can go on 1 switch.
- Great replacement for halogen light fixtures, with a cut size of 54mm (2.1/8"), providing high-quality lighting for cabinets and shelves.
- Input voltages between 100-240V AC at 47/63Hz frequency with an input current of 0.5A.

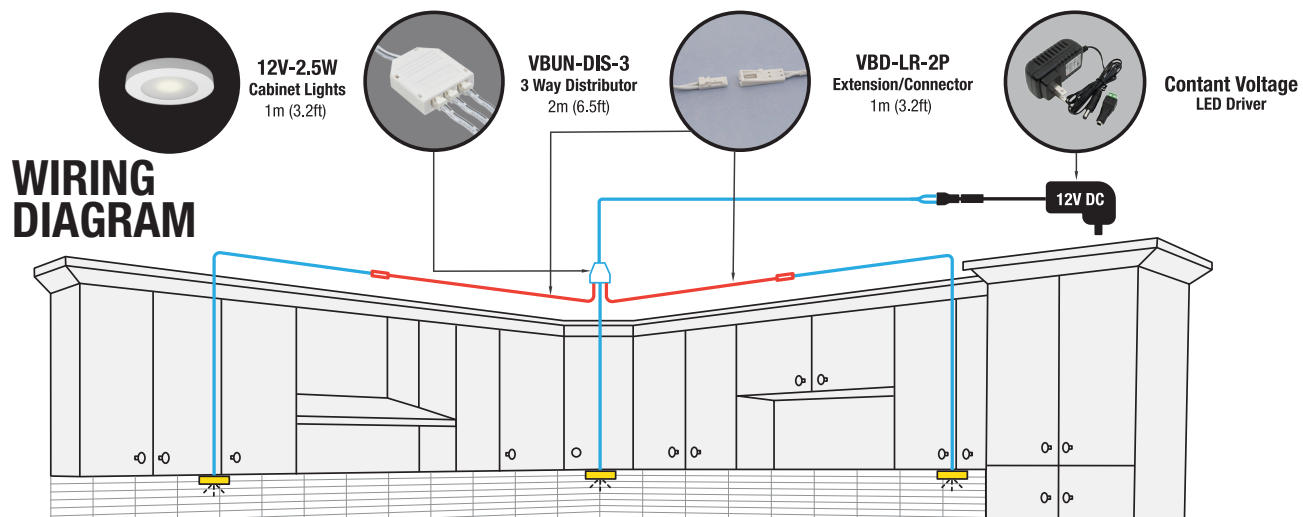
PACKAGE CONTENT:

- Three round white cabinet lights
- One 12V DC constant voltage non-dimmable LED driver
- Two 2-Pin dupont male and female extension/connector cables
- One 3-way distributor terminal

LED DRIVER SPECIFICATIONS

Model:	VBDA-012-012P1J
Input Voltage:	100-240V AC
Input Current:	0.5A
Input Frequency:	47/63 Hz
Output Voltage:	12V DC
Output Regulated Current:	1.0A
Output Power:	12W Max
IP Rating:	IP20 (Indoor rated)
Dimmable:	No
Dimensions:	120mm x 34mm x 34mm (4.7" x 1.3" x 1.3")

WARM
WHITE
3000K



For more information about our products and services, please visit our website: www.veroboard.com



For cabinet use only Use only with Class 2 power unit

⚠ Attention: This product must be installed by a certified electrician.

IMPORTANT SAFETY INSTRUCTION

Veroboard luminaires (fixtures) are designed to meet the latest NEC requirements. This product is UL/CSA listed and is in full compliance with the UL approvals. Before attempting installation, check your local electrical code. This code sets the wiring standards for your locality and should be carefully studied before starting.

WARNING – Risk of fire or electric shock.

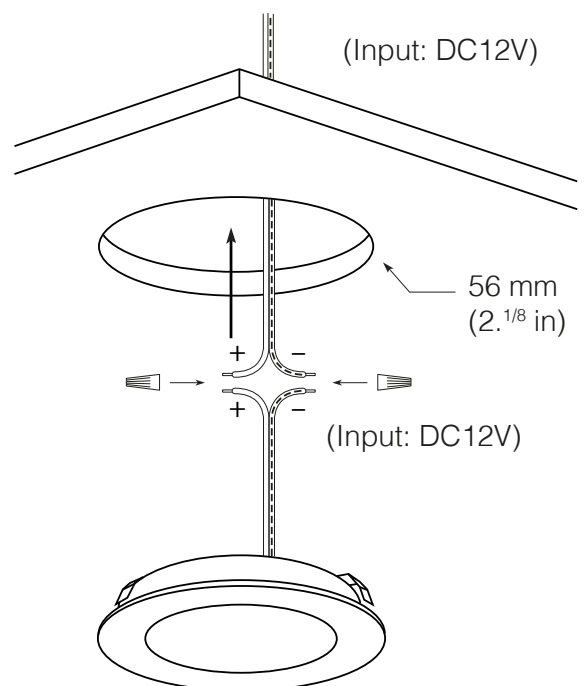
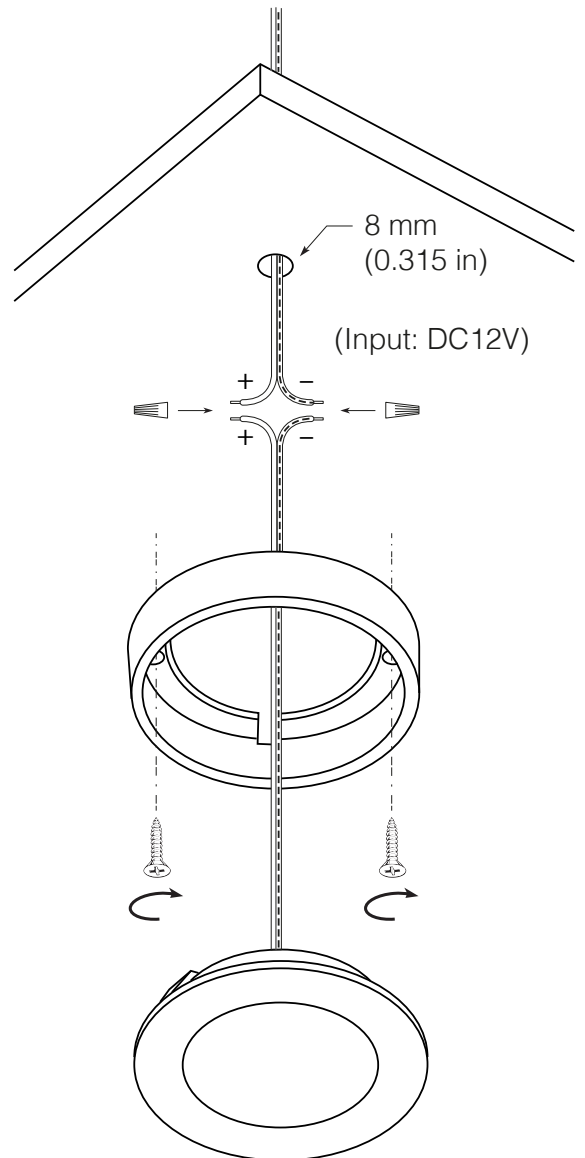
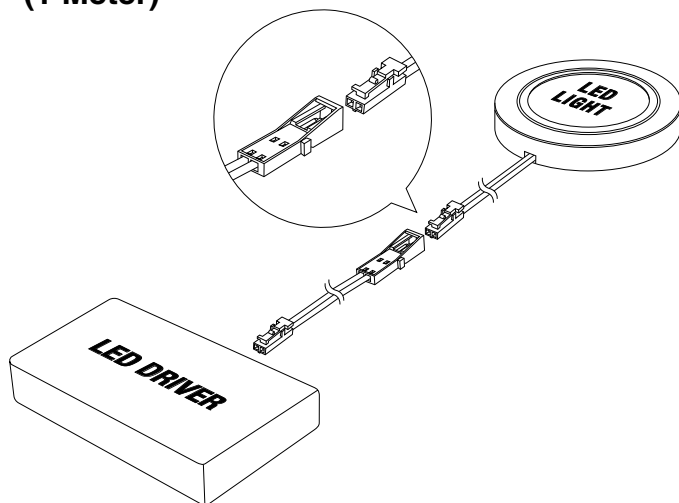
WARNING – To prevent wiring damage or abrasion, do not expose wiring to the edges of the sheet metal or any other sharp object.

WARNING – Do not use the LED wire inside drywalls. The wiring is for dry location use only.

CAUTION: To reduce the risk of fire, do not install in compartment smaller than 12"x12"x12"

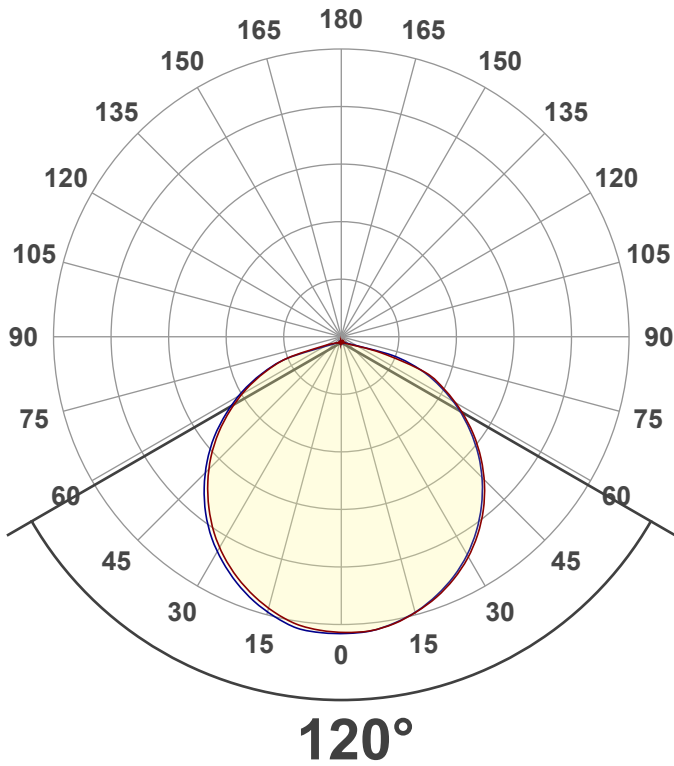
Pour réduire le risque d'incendie, ne pas installer dans un compartiment de moins de 12"x12"x12"

2-Pin Dupont Male and Female Connector Cable (1 Meter)



Disclaimer:

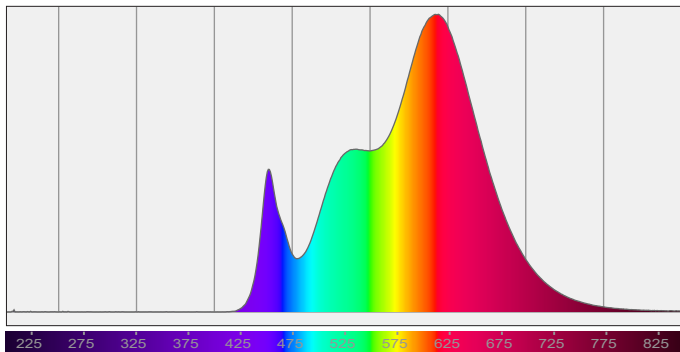
The data and information contained in this specification sheet are subject to change without notice; the ratings supplied are provided based on the product manufacturer. The information contained in this specification sheet should not be considered a warranty, expressed or implied, including, but not limited to, a warranty of merchantability or fitness for a particular purpose. In no event shall Veroboard be liable for any incidental or consequential damages resulting from the use, misuse, or inability to use the product. This exclusion applies regardless of whether such damages are sought based on breach of warranty, breach of contract, negligence, strict liability in tort, or any other legal theory.



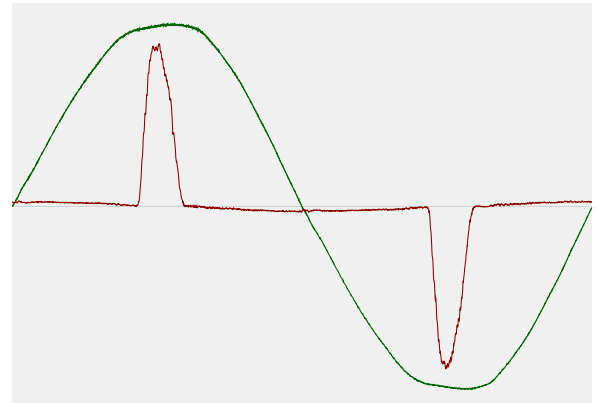
3000K

CIE 1931
x: 0.437
y: 0.404

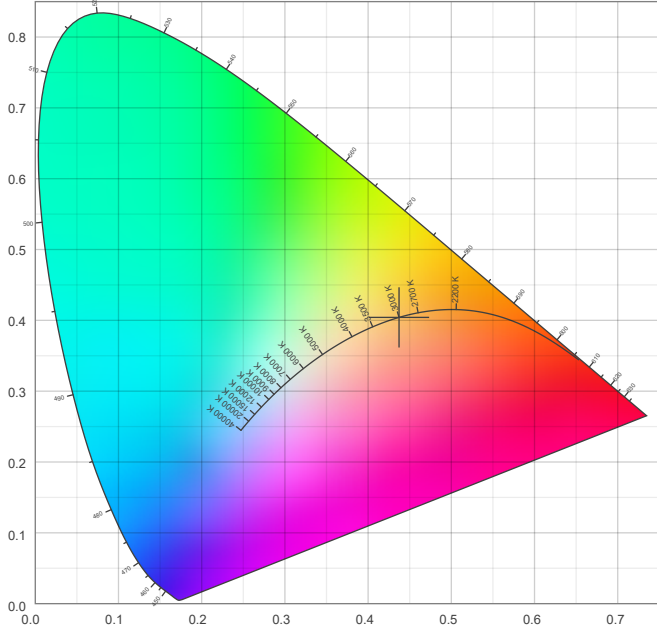
Spectral power distribution (SPD) / W/nm – 0-100%



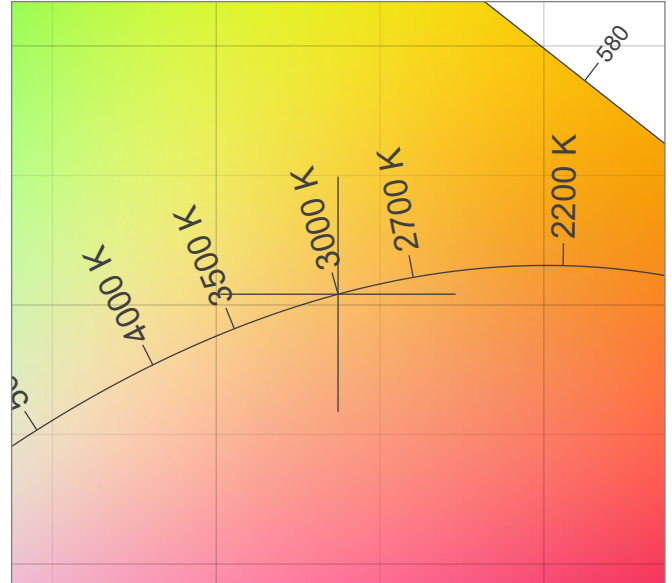
Input Power Curve



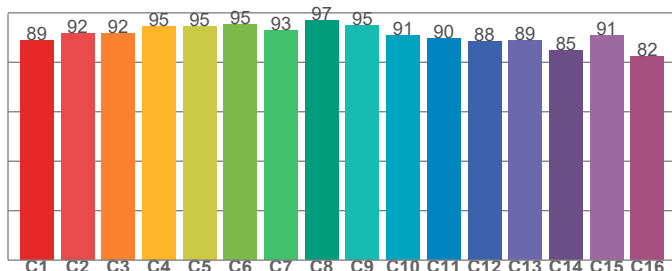
CIE 1931



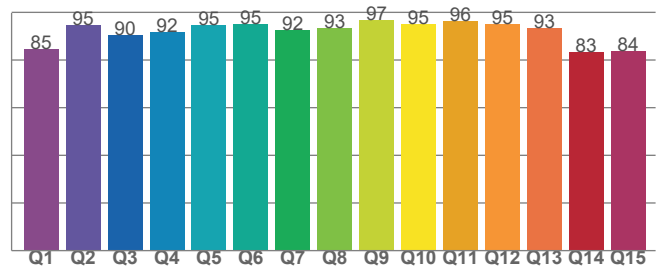
CIE 1931 – zoomed on Planckian locus



TM30-18 Rf-values per hue bin



Color Quality Scale by reference color



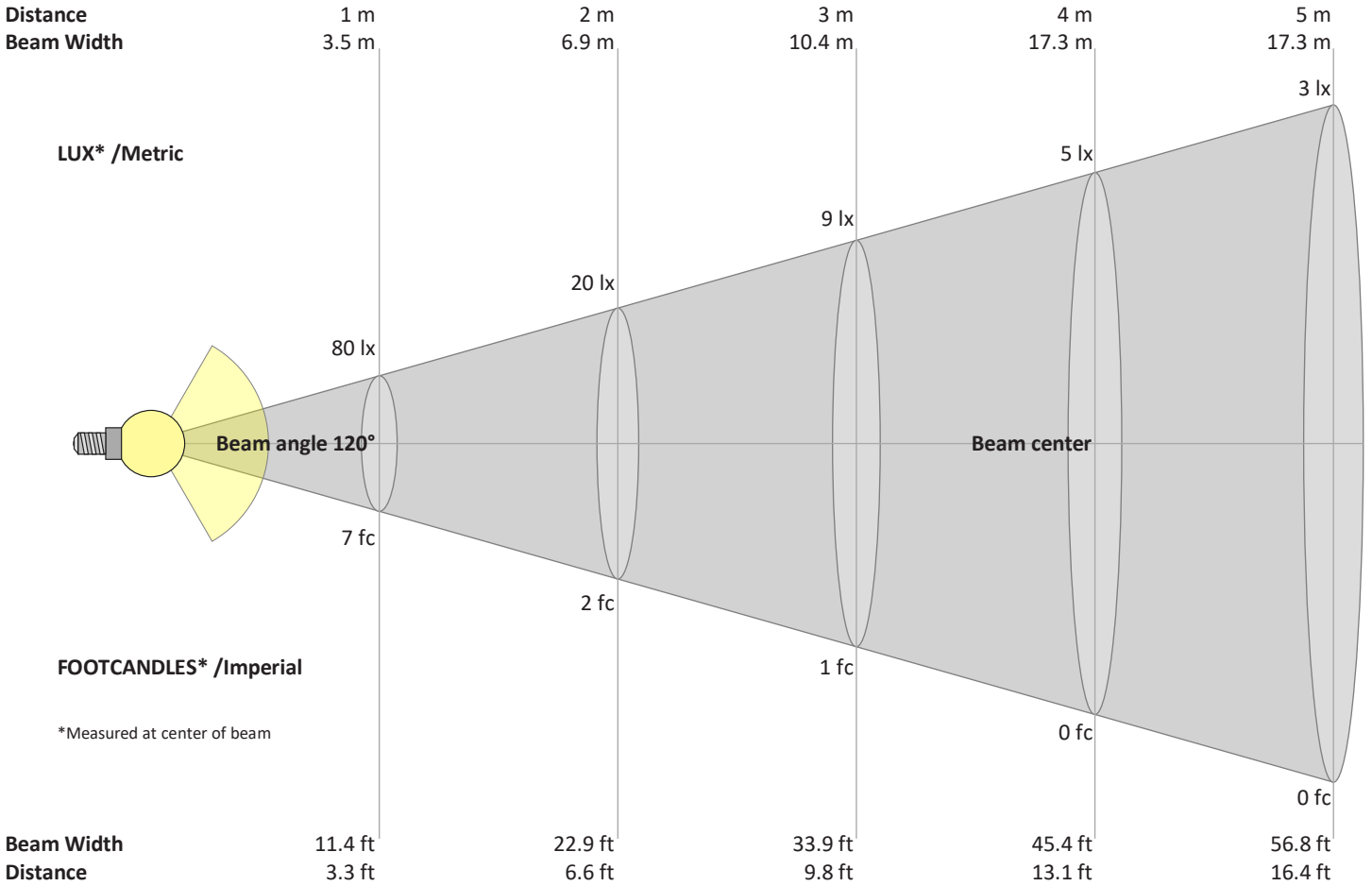
TM30 C values, 16 binned values out of total of 99 C values

C1	C2	C3	C4	C5	C6	C7	C8	C9	C10	C11	C12	C13	C14	C15	C16
88.9	91.8	91.7	94.6	94.6	95.3	92.8	96.9	94.9	90.9	89.6	88.5	88.8	84.7	90.8	82.3

CQS Q values

Q1	Q2	Q3	Q4	Q5	Q6	Q7	Q8	Q9	Q10	Q11	Q12	Q13	Q14	Q15
84.6	94.6	90.4	91.5	94.8	95.0	92.4	93.2	96.8	95.2	96.2	95.0	93.3	83.2	83.6

Beam Details



Beam intensities from 1 – 20 m

1	2	3	4	5	6	7	8	9	10	11	12	13	14	15	16	17	18	19	20	m	
3.3	6.6	9.8	13.1	16.4	19.7	23	26.2	29.5	32.8	36.1	39.4	42.7	45.9	49.2	52.5	55.8	59.1	62.3	65.6	ft	
80	20	9	5	3	2	2	1	1	1	1	1	0	0	0	0	0	0	0	0	0	lux
7.4	1.9	0.8	0.5	0.3	0.2	0.2	0.1	0.1	0.1	0.1	0.1	0	0	0	0	0	0	0	0	0	fc

Intensities in 0° c-plane

0°	5°	10°	15°	20°	25°	30°	35°	40°	45°	50°	55°	60°	65°	70°	75°	80°	85°	90°	95°	γ
79.8	79.7	78.9	77.3	75.3	72.7	69.6	65.8	61.5	56.7	51.3	45.6	39.4	32.8	25.9	13.6	2.5	0.5	0.1	0.0	cd
100%	100%	99%	97%	94%	91%	87%	82%	77%	71%	64%	57%	49%	41%	32%	17%	3%	1%	0%	0%	of 0°val

Intensities in 90° c-plane

0°	5°	10°	15°	20°	25°	30°	35°	40°	45°	50°	55°	60°	65°	70°	75°	80°	85°	90°	95°	γ
79.8	79.8	78.8	77.2	74.9	72.2	68.9	65.0	60.6	55.8	50.5	44.7	38.6	32.1	25.2	16.8	4.8	0.9	0.1	0.0	cd
100%	100%	99%	97%	94%	90%	86%	81%	76%	70%	63%	56%	48%	40%	32%	21%	6%	1%	0%	0%	of 0°val

Intensities in 180° c-plane

0°	5°	10°	15°	20°	25°	30°	35°	40°	45°	50°	55°	60°	65°	70°	75°	80°	85°	90°	95°	γ
79.8	79.2	78.1	76.1	73.4	70.3	66.7	62.5	57.8	52.7	47.2	41.3	35.0	28.5	21.6	13.9	4.7	1.6	0.2	0.0	cd
100%	99%	98%	95%	92%	88%	84%	78%	72%	66%	59%	52%	44%	36%	27%	17%	6%	2%	0%	0%	of 0°val

Intensities in 270° c-plane

0°	5°	10°	15°	20°	25°	30°	35°	40°	45°	50°	55°	60°	65°	70°	75°	80°	85°	90°	95°	γ
79.8	79.9	79.1	77.1	74.6	71.5	67.9	63.9	59.3	54.1	48.6	42.6	36.1	29.4	22.1	13.0	2.3	0.7	0.0	0.0	cd
100%	100%	99%	97%	93%	90%	85%	80%	74%	68%	61%	53%	45%	37%	28%	16%	3%	1%	0%	0%	of 0°val

Notes:
