

## SR-2819S (R3) RGBW Remote Controller

<b>Model No.:</b>	SR-2819S (R3)
<b>Output:</b>	RF Signal
<b>Voltage:</b>	4.5V (3xAAA battery)
<b>Frequency:</b>	434MHz/869.5MHz/916.5MHz
<b>Control Zone:</b>	4 Zone
<b>Color Controller:</b>	RGBW
<b>Compatible Controllers:</b>	SR-1009FA3 (R-1.6A) SR-1009FA7 (R-3A) SR-1009EATYWI-5C (R-8A) SR-1009EA-5C (R-25.5A) SR-1009TYWI-5C (R-4A)
<b>Operating Temperature:</b>	0-40° C
<b>Relative Humidity:</b>	8% to 80%
<b>IP Rated:</b>	IP20 (Indoor use only)
<b>Dimensions:</b>	120mm x 55mm x 17mm (4.725" x 2.17" x 0.67")
<b>Certifications:</b>	CE/FCC/RoHS

Name: \_\_\_\_\_

Company: \_\_\_\_\_

Phone: \_\_\_\_\_

Email: \_\_\_\_\_



### Features:

- User-friendly interface, easy and simple operation.
- Operation return function
- Control up to 4 zones, each zone can be set endless receivers, each receiver maximally be controlled by 8 different remotes
- Set 3 scenes for each zone.
- Operation return function on this Remote RF LED remote.
- Preset 10 changing modes, with pause function.
- Synchronization function of pattern changes ensure consistent change forever.
- Enable to dim brightness of each R, G, B, W channel, in order to mix millions colors.



### Disclaimer:

The data and information contained in this specification sheet are subject to change without notice; the ratings supplied are provided based on the product manufacturer. The information contained in this specification sheet should not be considered a warranty, expressed or implied, including, but not limited to, a warranty of merchantability or fitness for a particular purpose. In no event shall Veroboard be liable for any incidental or consequential damages resulting from the use, misuse, or inability to use the product. This exclusion applies regardless of whether such damages are sought based on breach of warranty, breach of contract, negligence, strict liability in tort, or any other legal theory.



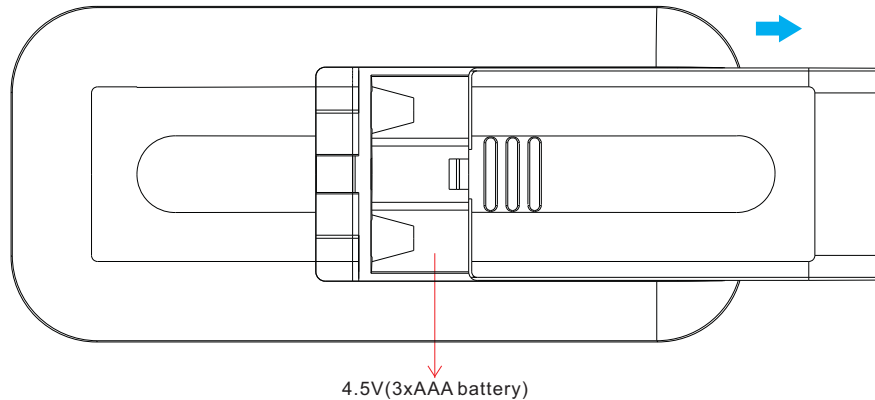
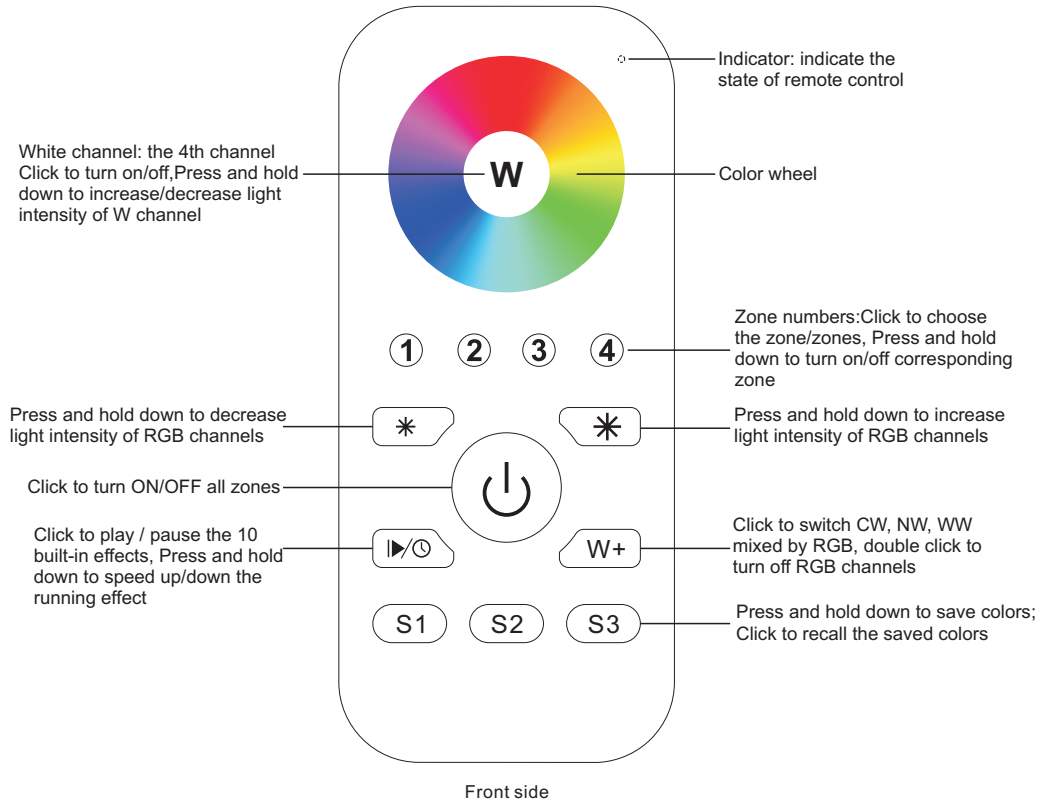
# RF RGBW Remote Controller

09.2819S.04167



**Important:** Read All Instructions Prior to Installation

## Function introduction



## Product Data

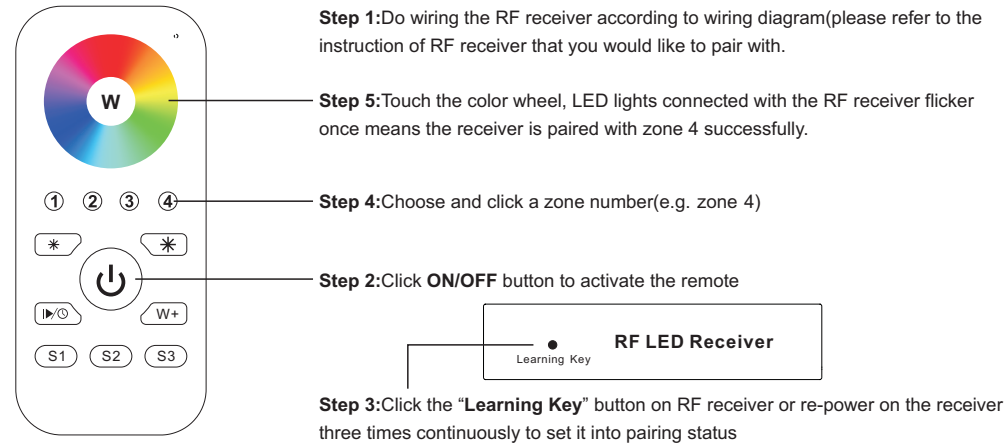
Output	RF signal
Operation Frequency	869.5/916.5/434MHz
Power Supply	4.5V(3xAAA battery)
Operating temperature	0-40°C
Relative humidity	8% to 80%
Dimensions	120x55x17mm

- Control 4 zones of RF receivers separately.
- RGBW color controller
- High sensitive & high stable, fast & precise color control.
- Compatible with all universal series RF receivers
- 1 receiver can be paired by max 8 different remote controls.
- Waterproof grade: IP20

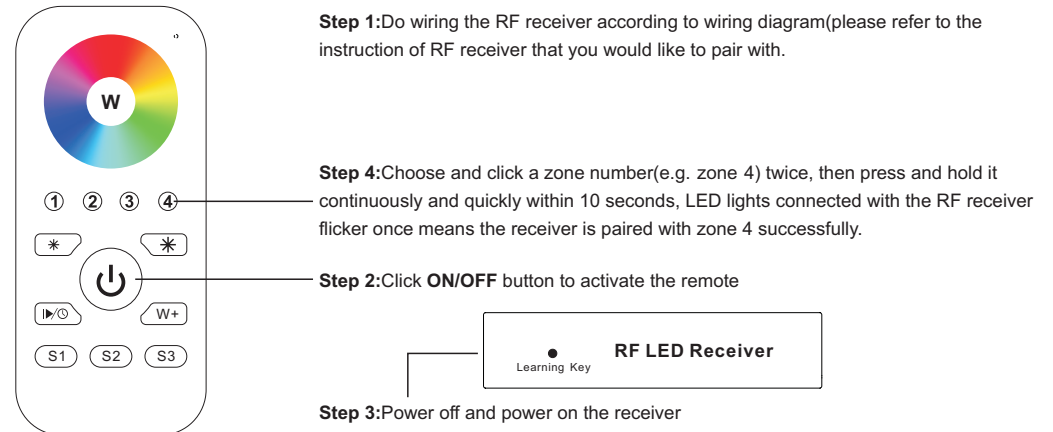
## Safety & Warnings

- This device contains AAA batteries that shall be stored and disposed properly.
- DO NOT expose the device to moisture.

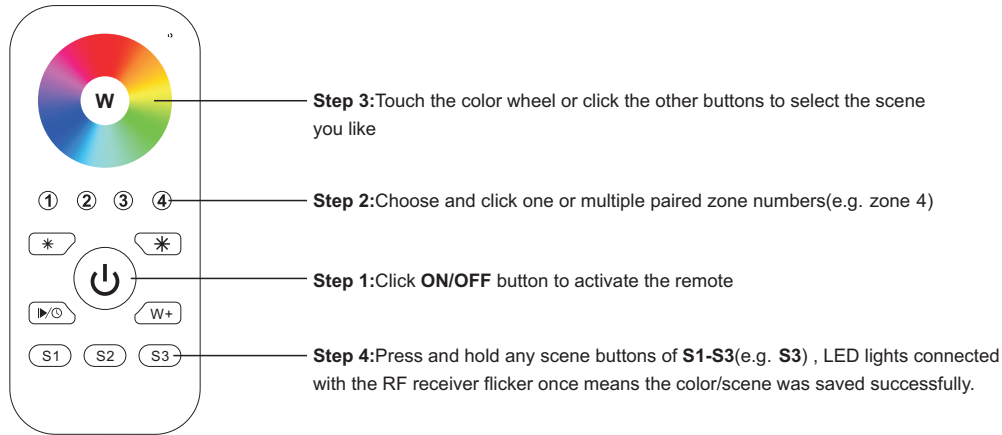
## Pair with RF receiver(Method 1)



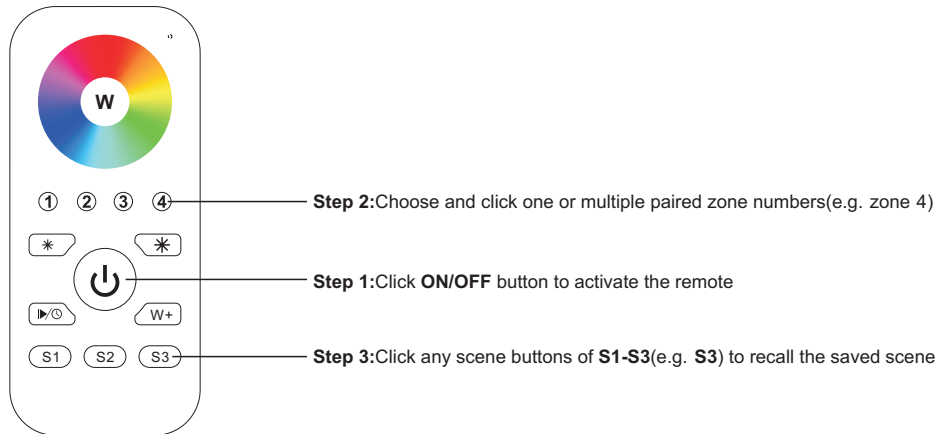
## Pair with RF receiver(Method 2)



### Save color/scene/mode

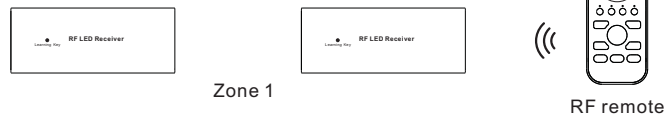


### Recall the saved colors/scenes



### If you use multiple receivers, you have two choices:

Option 1: have all the receivers in the same zone, like zone 1



Option 2: have each receiver in a different zone, like zone 1, 2, 3 or 4



### Built-in 10 color changing modes are as follows:

Mode 1: Any two colors of RGB mix fade-in & fade-out

Mode 2: RGB three colors mix fade-in & fade-out

Mode 3: RGB three colors mix fade-out & fade-in

Mode 4: RGB flash

Mode 5: RGB three colors fade-in & fade-out successively

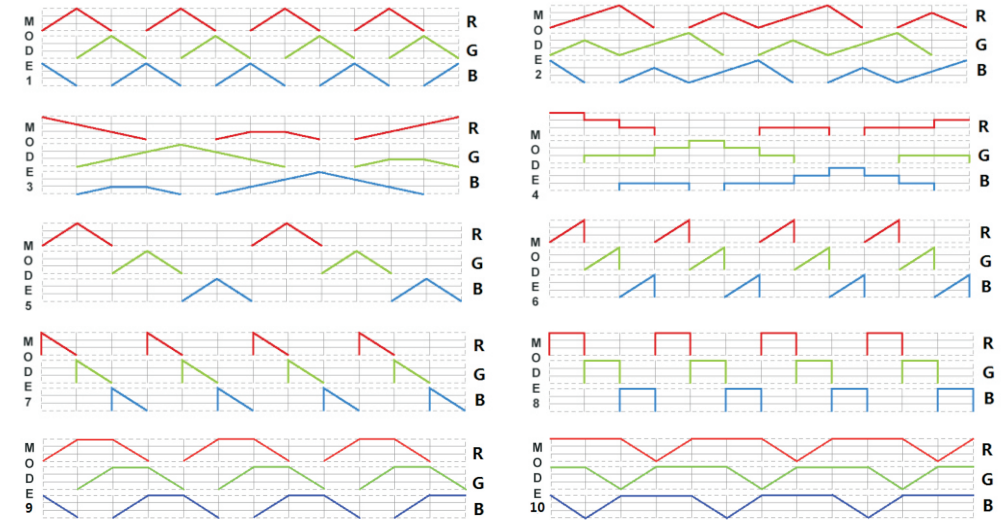
Mode 6: RGB three colors fade-in successively

Mode 7: RGB three colors fade-out successively

Mode 8: RGB three colors jump changing successively

Mode 9: R&B two colors mix fade (R in B out), then G fade-in, then R&B mix fade (R out B in), then G fade-out

Mode 10: B fade-out, then G&B mix fade (G out B in), then R&G mix fade (R out G in), then R fade-in



### How to stop running mode of single color LED light caused by RGBW sender interference:

1. When pairing single color LED light to a single color remote, it might be interfered and paired by nearby RGBW senders, which might control the single color light into running mode. The running mode can not be stopped by the paired single color remote or by delete pairing.
2. Then we need this remote, and pair the remote to the receiver via above "Pair with RF receiver(Method 2)", then touch the color wheel to stop the running mode.
3. Then delete pairing and pair the receiver to the single color remote again, it can be controlled by the remote again.