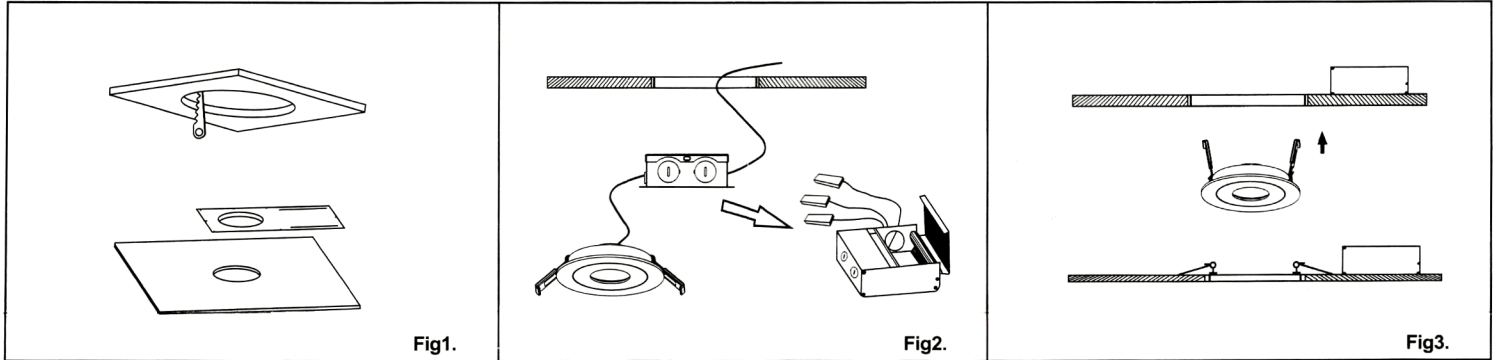


## INSTALLATION INSTRUCTIONS AND WARRANTY INFORMATION FOR RECESSED LED FIXTURES MODELS 4 INCH FLOATING GIMBAL

**CONSTRUCTION:** 4 inch Floating Gimbal fixtures with integral LEDs. Isolated Class 2 external driver factory installed inside. junction-box. One driver for every fixture required. Power Factor > 0.95. LED fixture and driver are TYPE IC rated-approved for direct contact with insulation. Pot light housing is NOT required even for insulated ceilings

**ALL FIXTURE MUST BE INSTALLED IN ACCORDANCE WITH CURRENT APPLICABLE ELECTRICAL CODES.**



1. Cut a hole for the lamp. The plate is mounted on the board.
2. Open the cover of the junction box. Push and remove one of half inch. Knockouts on the side plate. Tighten the connector by hand. Do not attach the junction box to anything, so you can pull it through. The ceiling opening in case you need to service the driver in future. Install, standard 16 cable connector. Use double connector for daisy chaining multiple drivers. Insert line voltage feed into the cable connector. And splice same colour wires using quick connector. Close the cover.
3. The spring loaded into the ceiling, and adjust smooth.

### OPTIONS FOR LOCATING DRIVER:

1. Locate next to the fixture-run line voltage wiring to first junction box and "daisy chain" to the junction boxes of the fixtures.
2. Or install all drivers at one location and use low voltage extension cables to the fixture. Use only extensions provided by the manufacturer. Available jumper cables are 6'(1.8m) and 20'(6m). Cables are linkable. Maximum run should not exceed 40'(12m).

**DIMMING:** We recommend LED/CEL dimmers that have a low range adjustment dial. After all fixtures are connected to the dimmer adjust the dial to the lowest position before the lights start to flicker or shut down. This setting depends on the local voltage and number of fixtures per dimmer. For a typical LED dimmer rated for 150W LED load the maximum number of fixtures per dimmer is

**WARNING: DO NOT USE ANY OTHER DRIVERS EXCEPT THE DRIVERS THAT ARE INCLUDED WITH THE FIXTURE. DO NOT CONNECT MULTIPLE FIXTURES TO ONE DRIVER. DO NOT OPEN THE LIGHT FIXTURE AND THE SIDE PLATES OF DRIVER-NO SERVICEABLE PARTS INSIDE. MANUFACTURER'S LIMITED WARRANTY**

Your product, when delivered to you in new condition and on original packaging, is warranted, against defects, in materials and workmanship as follows for a period of 3 years from the date of the original purchase. Defective to LED Lights and proven to be defective upon inspection will be repaired, replaced, replaced with a new Product or a credit will be issued against original at the discretion of LED Lights.

For avoidance of doubt, "to replace the "Product does not include any removal or installation costs or expenses, including without limitation labor costs or expenses, shipping costs to return non-conforming products or any damages that may occur during the return of product to LED Lights. This limited warranty is subject to the following additional conditions:

1. The Products have been installed and operated in accordance with the manufacturer instructions.
2. Products have not been subject to accident, neglect, abuse, misuse, lightning, electrical surges or acts of God.
3. The Product has been purchased directly from an authorized LED Lights distributor.
4. Purchase receipt or invoice is available for inspection by LED Lights.
5. This warranty is limited to Products purchased for use in regions that are within the jurisdiction of Canada and USA.

This device complies with part 15 of the FCC rules. Operation is subject to the following two conditions:

1. This device may not cause harmful interference, and
2. This device must accept any interference received, including interference that may cause undesired operation.

**THE FOREGOING WARRANTY IS EXCLUSIVE, AND THE SOLE REMEDY FOR ANY AND ALL CLAIMS. IN NO EVENT WILL LED LIGHTS BE LIABLE FOR ANY SPECIAL, COMPENSATORY, INDIRECT, PUNITIVE, INCIDENTAL OR CONSEQUENTIAL DAMAGES INCLUDING, WITHOUT LIMITATION, DAMAGES RESULTING FROM LOSS OF USE, PROFITS, BUSINESS OR GOODWILL, WHETHER OR NOT LED LIGHTS HAS BEEN ADVISED OF THE POSSIBILITY THEREOF.**

Hole Cut Size      Ø4-1/4" (108mm)