

MINI LED RECESSED HOUSING

MINI DOWNLIGHTS

MINI GIMBALS

WARNING: For your safety, read and understand instructions completely before starting installation. Before wiring to power supply or secondary devices, turn off electricity at the fuse or circuit breaker box.

Note: Before attempting installation of any recessed lighting fixture, check your local electrical building code. This code sets the wiring standards and installation requirements for your locality and should be understood before starting work.

SAVE THESE INSTRUCTIONS

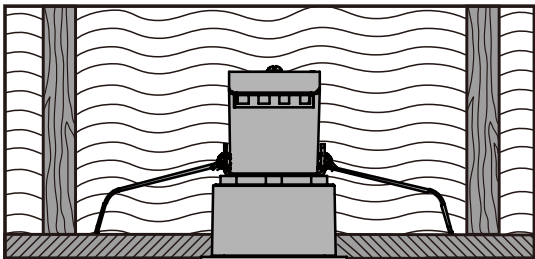


Figure 1

This Type IC fixtures are designed for direct contact with insulating materials which are approved for this application (Fig. 1). Fixtures may also be used in non-insulated spaces.

Note: If using the Mini Gimbal in an IC application, it is recommended that the insulation be pulled away from the fixture to prevent insulation from falling into the room during fixture adjustment.

Installation Instructions

Step 1. The Mini Downlight & Gimbal fixtures are intended for use with any 12V AC Class 2 transformer. Note: These fixtures consume only 3W per fixture. Refer to minimum loading requirements of transformer selected to ensure proper operation of fixtures.

Make certain power delivered to fixtures does not exceed 12V AC. Follow all local & national electrical codes for wiring from the transformer to the fixtures, or from fixture to fixture if daisy-chaining (Refer to wiring diagram).

Step 2. Cut the appropriate size circular opening in mounting surface using a hole saw or other method. Recommended hole size:

Mini Downlights – 2"

Mini Gimbals – 2 3/8"

Fixtures install into mounting surfaces from 1/8" to 1" thick materials.

Step 3. Route Class 2 wiring from the secondary side of the transformer through the opening in the mounting surface. Class 2 (CL2) cable or equivalent code compliant wiring is required. Strip secondary leads 5mm (.20") for insertion into fixture terminals.

Step 4. Remove terminal block cover located atop fixture (Fig. 2). Insert the two secondary leads into adjacent terminals on the right or left side of the terminal block (Fig 3). (The remaining terminals are for daisy-chain wiring if desired.) Secondary wiring is not polarized. Tighten terminal block screws securely to retain wires. (4 In-lb minimum)

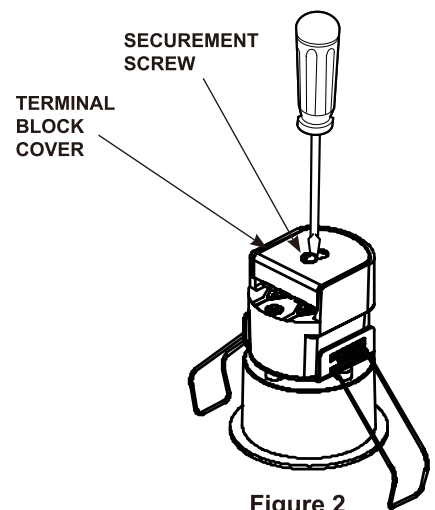


Figure 2

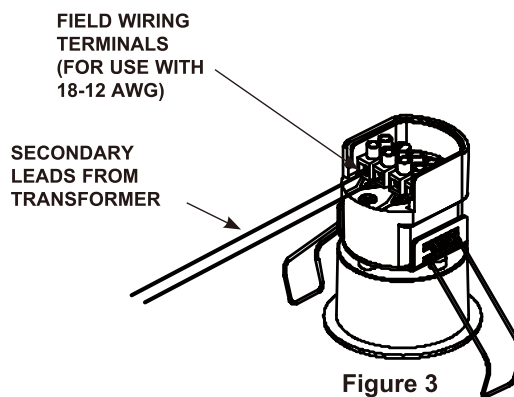


Figure 3

MINI LED RECESSED HOUSING MINI DOWNLIGHTS MINI GIMBALS

Step 5. Make certain no bare conductors are exposed after attachment to terminals. Replace terminal block cover when wiring is completed.

Step 6. Fixtures may also be daisy-chained by routing Class 2 12V AC wiring from fixture to fixture (Refer to wiring diagram). Always connect cable wires to adjacent terminals on the far right or far left side of the terminal blocks. Tighten all terminal block screws to 4 In-lb minimum.

Step 7. Push excess wire into opening in mounting surface, displace fixture coil springs as shown, (Fig. 4) insert fixture into opening. Springs will recoil to hold fixture in place. Make certain wires are contained behind the mounting surface and not damaged in any way.

Step 8. Gimbal fixtures may be adjusted to direct light as desired. Remove fixture from mounting surface, adjust light aiming by rotating lower housing to desired position and re-install. Make certain wires are not twisted or damaged as a result of the re-aiming.

Step 9. Complete installation of all fixtures before restoring electrical power.

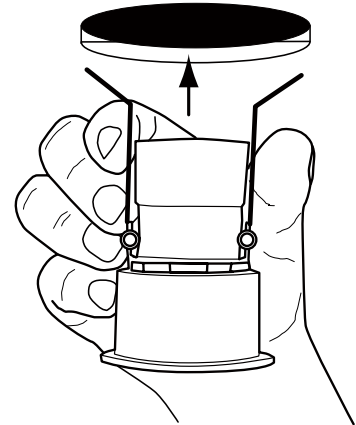


Figure 4

WIRING DIAGRAM

