



9" SQUARE RECESSED LED DOWNLIGHT

120V, 18W, 3CCT (3K, 4K, 5K)

Specifications

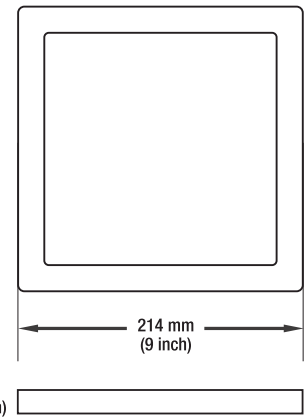
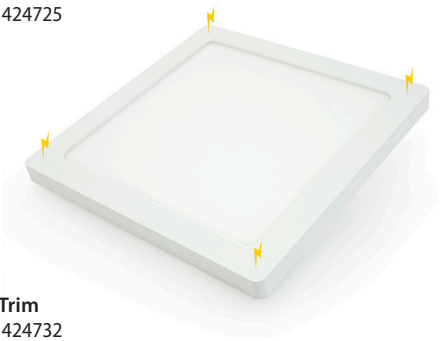
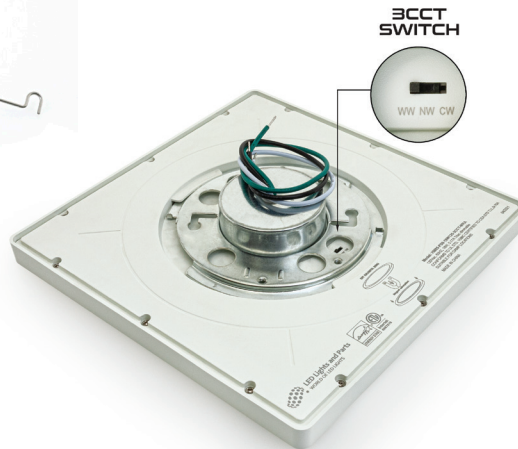
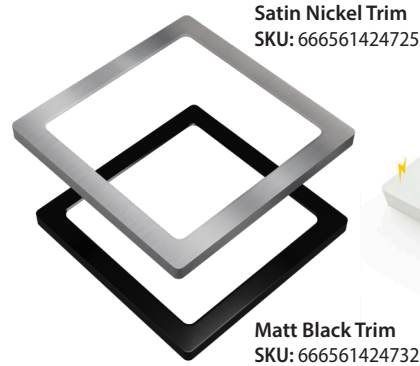
Model No.:	HM05-PS9-18W120-3CCT-WRA
Input Voltage:	120V AC
Wattage:	18W
Color Temperature:	3CCT Selectable: 3000K (Warm White), 4000K (Natural White), 5000K (Daylight)
Available Trim Color:	Stain Nickel, Matt Black (Sold Separately)
Beam Angle:	120°
Material:	Aluminum
Dimmable:	Yes
IP rating:	IP20 (Indoor rated)
Dimensions:	214mm x 214mm x 15mm (9" x 9" x 0.6")
Wire Size:	220mm (8.6") 18AWG
Certification:	ETL



White **SKU: 666561424718**

Features

- It operates on 120V AC with a wattage of 18 and offers three color temperatures - 3000K, 4000K, and 5000K - with a brightness of 1350 Lumens.
- The available trim colors are Satin Nickel and Matt Black, which are sold separately and can be easily snapped on without tools.
- This downlight has a high-quality reflector that helps avoid glare and provides even light distribution without flicker. It is dimmable and has a CRI of over 80.
- The fixture can be surface-mounted or embedded in a recessed can or J-box using an E26 Socket Adapter and spring tabs.
- This downlight is suitable for dry and damp locations and has a lifespan of 35,000 hours. It is safe to touch as it dissipates very little heat.
- It is certified by ETL and meets Canadian and United States standards.



Disclaimer

The data and information contained in this specification sheet are subject to change without notice; the ratings supplied are provided based on the product manufacturer. The information contained in this specification sheet should not be considered a warranty, expressed or implied, including, but not limited to, a warranty of merchantability or fitness for a particular purpose. In no event shall LED Lights and Parts be liable for any incidental or consequential damages resulting from the use, misuse, or inability to use the product. This exclusion applies regardless of whether such damages are sought based on breach of warranty, breach of contract, negligence, strict liability in tort, or any other legal theory.



LED Lights and Parts

WORLD OF LED LIGHTS

Light efficiency:

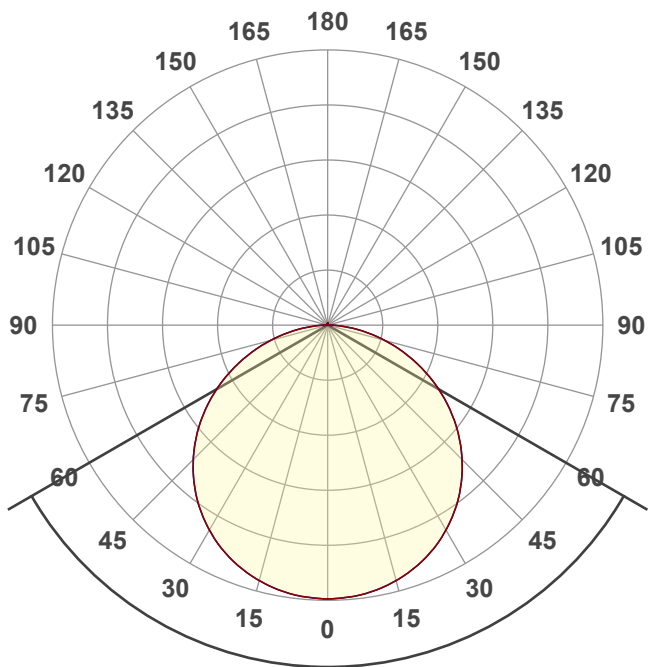
41 Lumen/Watt

Light quality:

CRI: 81.3

Color temperature:

3000 K



Beam angle

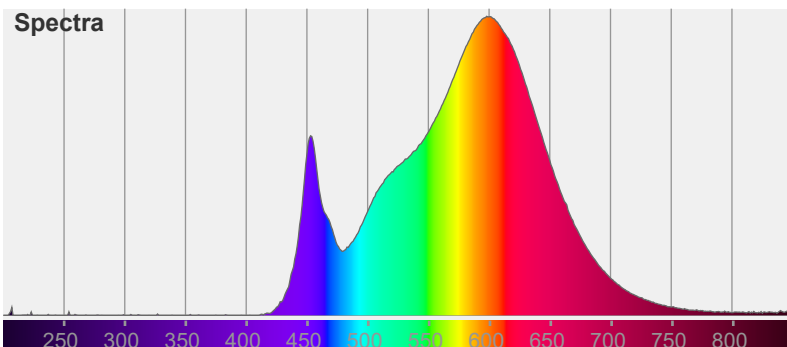
120°

Color



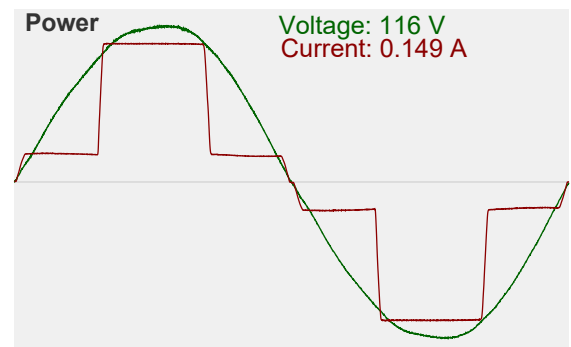
CIE1931
x: 0.429
y: 0.404

Spectra

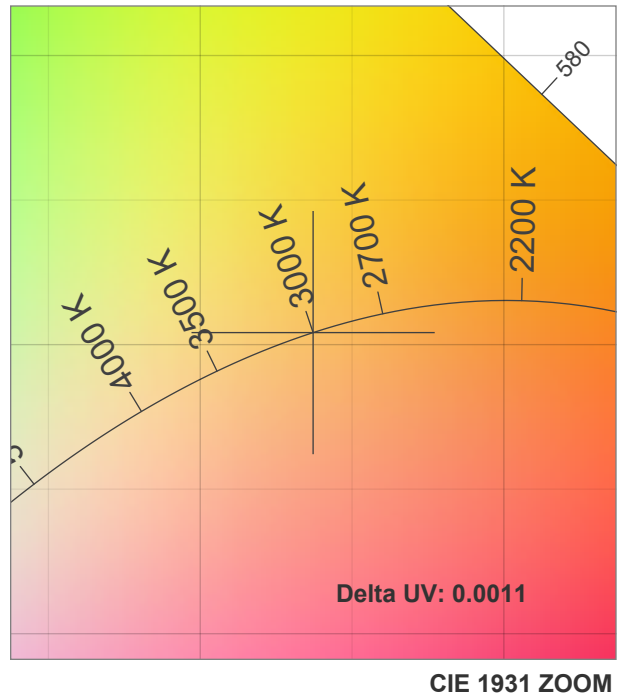
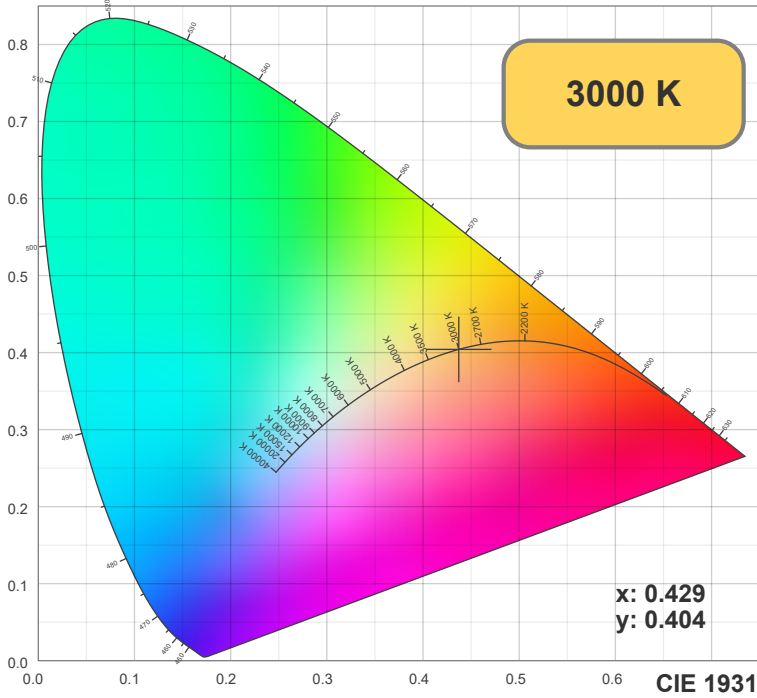


Power

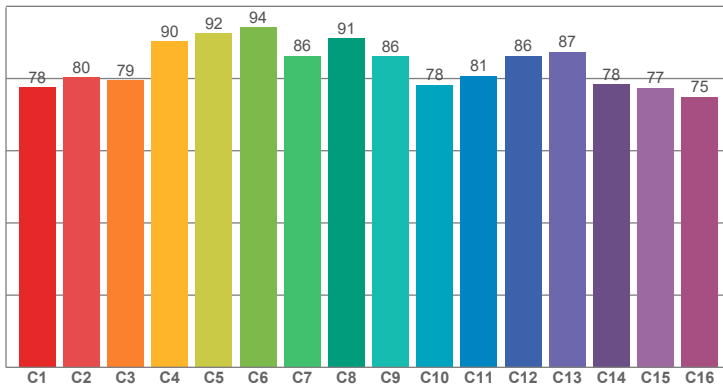
Voltage: 116 V
Current: 0.149 A



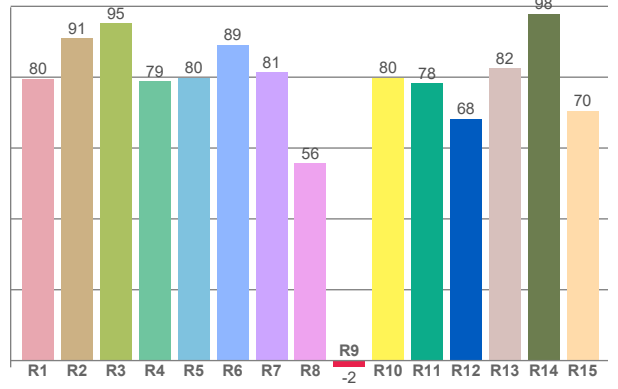
Light measurement was created using the Viso Systems - Light Inspector. www.visosystems.com



TM30: 83.9



CRI: 81.3 (R1-R8)



CRI R values, only R1-R8 are used to calculate final CRI value

R1	R2	R3	R4	R5	R6	R7	R8	R9	R10	R11	R12	R13	R14	R15
79.54	91.00	95.14	78.81	79.85	89.15	81.30	55.66	-1.91	79.83	78.25	68.25	82.47	97.87	70.44

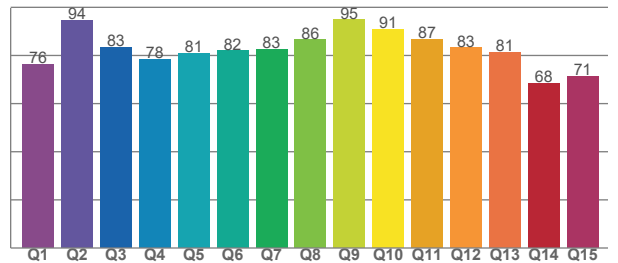
TM30 C values, 16 binned values out of total of 99 C values

C1	C2	C3	C4	C5	C6	C7	C8	C9	C10	C11	C12	C13	C14	C15	C16
77.53	80.28	79.43	90.24	92.45	94.16	86.28	91.20	86.17	78.23	80.75	86.29	87.36	78.40	77.41	74.97

CQS Q values

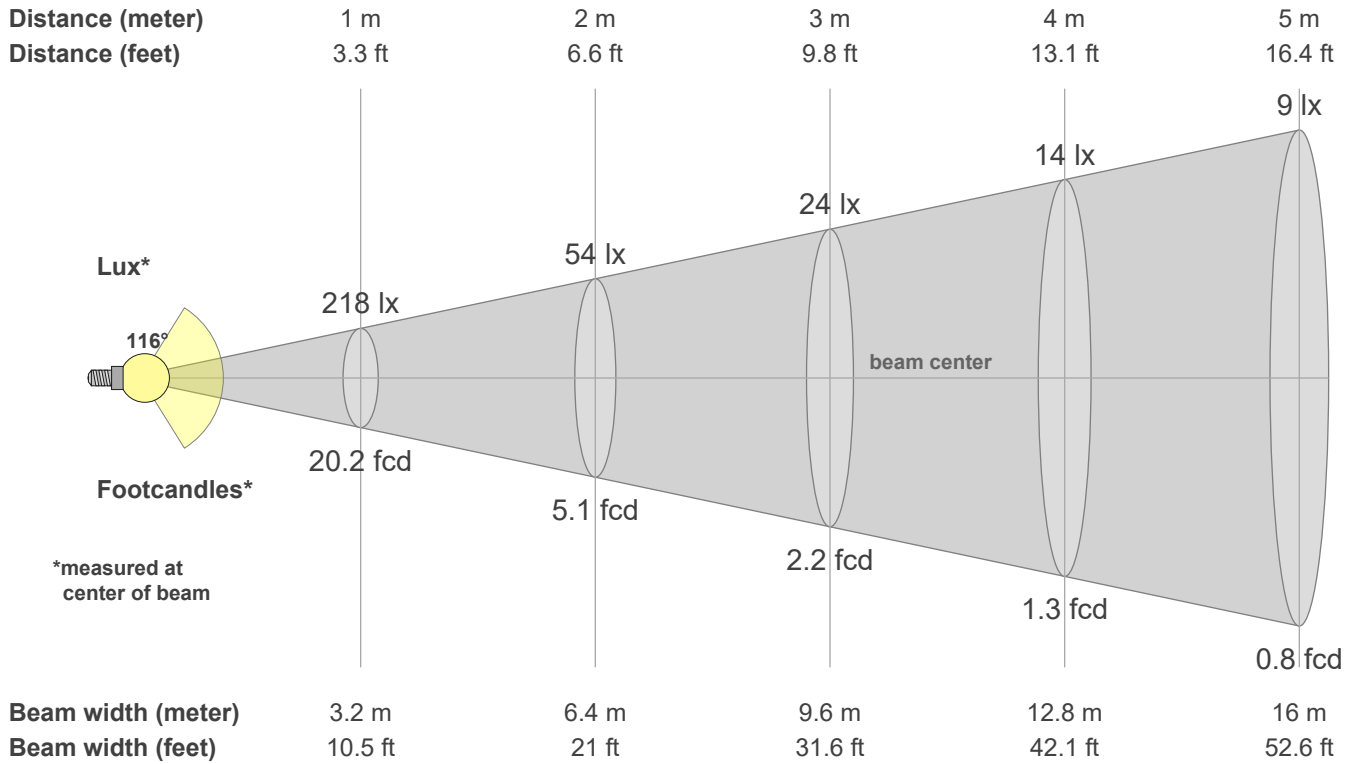
Q1	Q2	Q3	Q4	Q5	Q6	Q7	Q8	Q9	Q10	Q11	Q12	Q13	Q14	Q15
76.37	94.44	83.26	78.38	80.92	81.93	82.65	86.44	94.83	90.77	86.61	83.19	81.19	68.39	71.32

CQS: 81.2



Color parameters

CCT	CRI	CRI R9	TM30 Rf	TM30 Rg	CQS	x	y	u	v	Duv
3000 K	81.3	-1.9	83.9	93.7	81.2	0.4	0.4	0.3	0.3	0.0011



*measured at center of beam

Intensities in 0° c-plane

0°	5°	10°	15°	20°	25°	30°	35°	40°	45°	50°	55°	60°	65°	70°	75°	80°	85°	90°	95°
218	217	214	210	204	197	188	177	165	151	136	119	102	84	65	47	30	14	4	1
100%	100%	98%	97%	94%	91%	86%	81%	76%	69%	62%	55%	47%	38%	30%	22%	14%	7%	2%	0%

Intensities in 90° c-plane

0°	5°	10°	15°	20°	25°	30°	35°	40°	45°	50°	55°	60°	65°	70°	75°	80°	85°	90°	95°
218	217	214	210	204	197	188	177	165	151	136	119	102	84	65	47	30	14	4	1
100%	100%	98%	97%	94%	91%	86%	81%	76%	69%	62%	55%	47%	38%	30%	22%	14%	7%	2%	0%

Intensities in 180° c-plane

0°	5°	10°	15°	20°	25°	30°	35°	40°	45°	50°	55°	60°	65°	70°	75°	80°	85°	90°	95°
218	217	214	210	204	197	188	177	165	151	136	119	102	84	65	47	30	14	4	1
100%	100%	98%	97%	94%	91%	86%	81%	76%	69%	62%	55%	47%	38%	30%	22%	14%	7%	2%	0%

Intensities in 270° c-plane

0°	5°	10°	15°	20°	25°	30°	35°	40°	45°	50°	55°	60°	65°	70°	75°	80°	85°	90°	95°
218	217	214	210	204	197	188	177	165	151	136	119	102	84	65	47	30	14	4	1
100%	100%	98%	97%	94%	91%	86%	81%	76%	69%	62%	55%	47%	38%	30%	22%	14%	7%	2%	0%

Beam angle 50%	Field angle 10%	Cutoff angle 2.5%	Intensity ratio in 120° cone	Intensity ratio in 90° cone
116.1°	164.9°	178.2°	76.7%	51.7%