



4.5" ROUND RECESSED 2 WAY IN-GROUND LIGHT 24V 4W 3000K (WARM WHITE)

Specifications



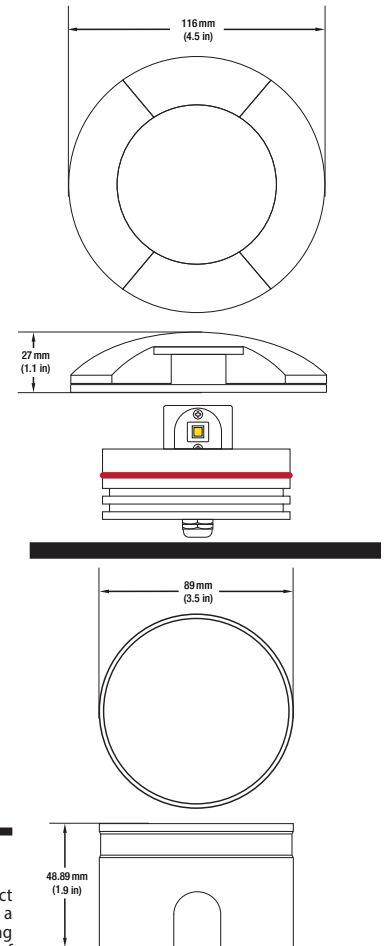
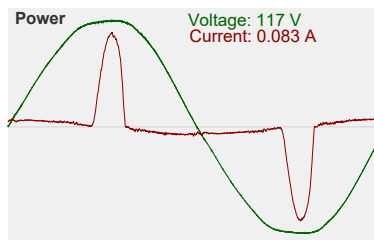
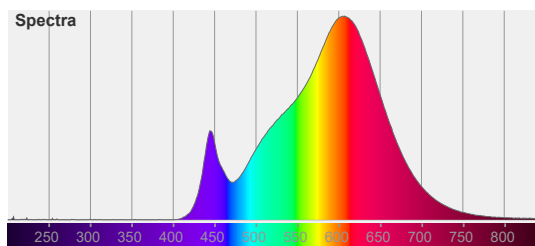
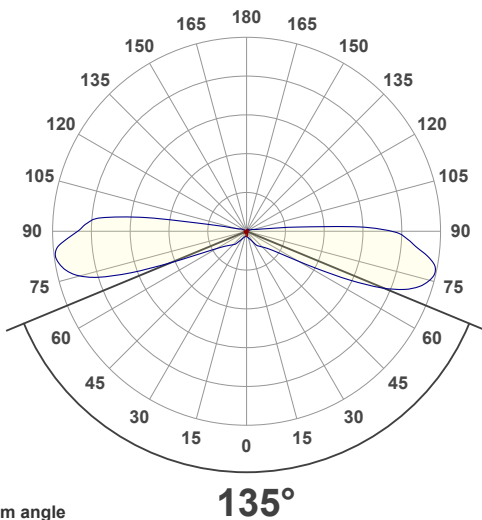
Model No.:	UL-D002-0400-B
Input Voltage:	24V DC
Wattage:	4W
Bulb Type:	Integrated LED
Color Temperature:	3000K (Warm White)
Housing Material:	Die-cast Aluminum body
Cap Material:	316 Stainless Steel
Beam Angle:	45°
Cap/Trim Type:	2-way Direction cover
IP Rating:	IP65 (Outdoor rated)
Dimmable:	Yes
Cable Size:	Length: 100cm (39.3in) Diameter: 7.5mm (0.3in) 18AWG
Dimensions with housing:	Base Diameter: 88.95mm (3.5in) Diameter: 116mm (4.5in) Height: 48.9mm (1.92in)
Dimensions without housing:	Diameter: 116mm (4.5in) Height: 48.89mm (1.84in)
Certification:	CE



SKU#: 666561424060

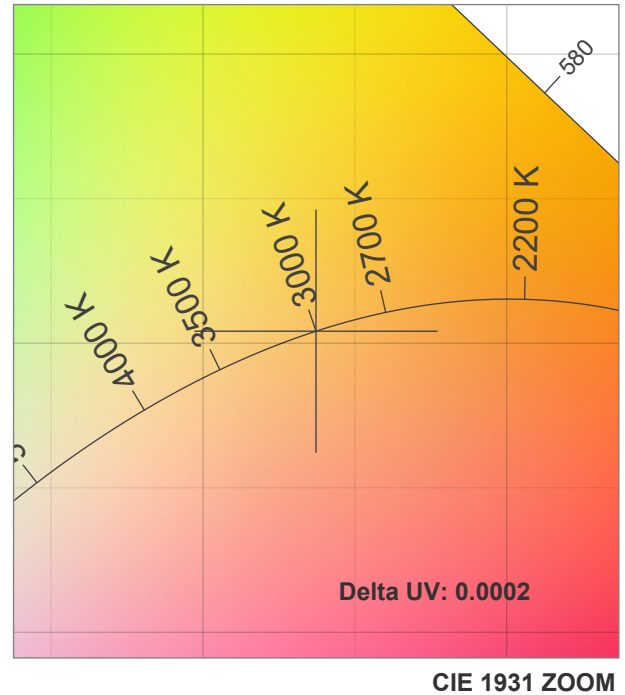
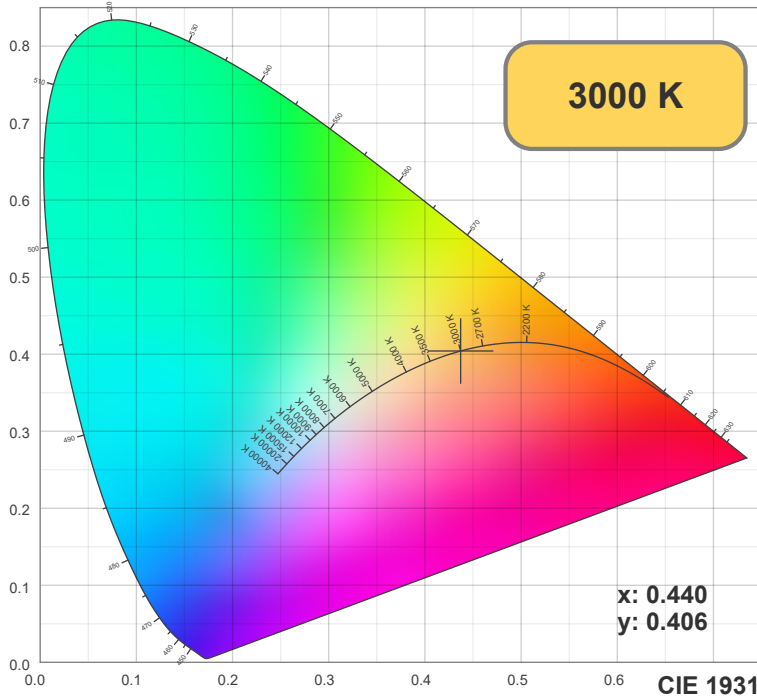
Features

- High-quality 4.5 inches round recessed in-ground light fixture designed for outdoor applications.
- Operates on a 24V DC power supply with a total power consumption of 4W, making it energy-efficient and cost-effective.
- Powerful integrated LED bulb produces a warm white (3000K) light for ample illumination in your outdoor space.
- Sturdy die-cast aluminum body housing with a cap material of 316 stainless steel ensures durability and longevity.
- 2-way direction cover creates a unique ambiance and offers functional illumination for highlighting pathways, pool deck lights, patio lights, or low-level wall lightings.
- Rated IP67 for use in all weather conditions and is resilient to being stepped upon.
- Dimmable feature allows you to adjust the brightness to your desired level.

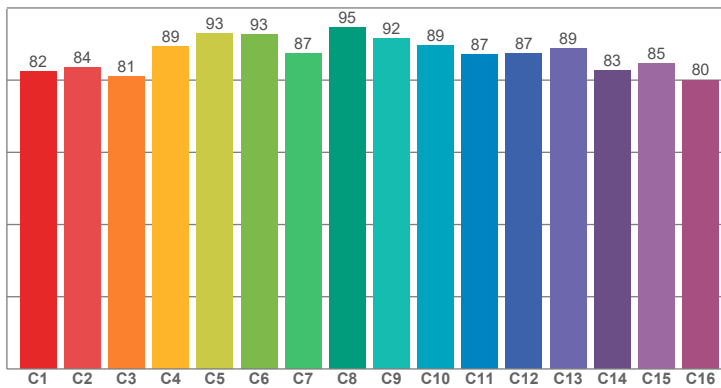


Disclaimer

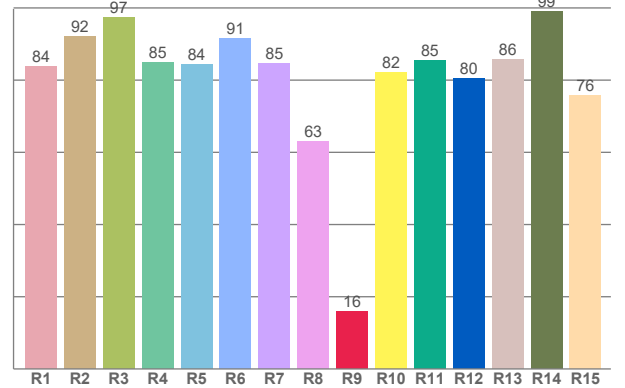
The data and information contained in this specification sheet are subject to change without notice; the ratings supplied are provided based on the product manufacturer. The information contained in this specification sheet should not be considered a warranty, expressed or implied, including, but not limited to, a warranty of merchantability or fitness for a particular purpose. In no event shall LED Lights and Parts be liable for any incidental or consequential damages resulting from the use, misuse, or inability to use the product. This exclusion applies regardless of whether such damages are sought based on breach of warranty, breach of contract, negligence, strict liability in tort, or any other legal theory.



TM30: 87.1



CRI: 85.2 (R1-R8)



CRI R values, only R1-R8 are used to calculate final CRI value

R1	R2	R3	R4	R5	R6	R7	R8	R9	R10	R11	R12	R13	R14	R15
83.82	92.11	97.46	84.80	84.34	91.42	84.52	63.00	15.91	82.18	85.32	80.41	85.83	99.11	75.68

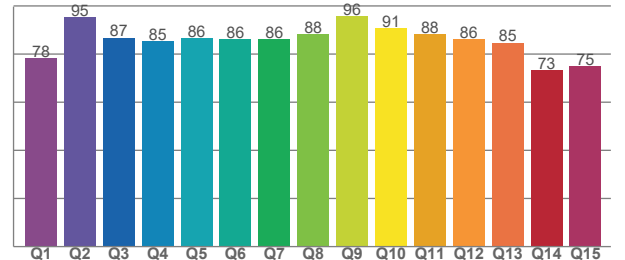
TM30 C values, 16 binned values out of total of 99 C values

C1	C2	C3	C4	C5	C6	C7	C8	C9	C10	C11	C12	C13	C14	C15	C16
82.37	83.62	80.89	89.31	92.84	92.76	87.36	94.58	91.61	89.49	86.99	87.45	88.68	82.72	84.57	80.05

CQS Q values

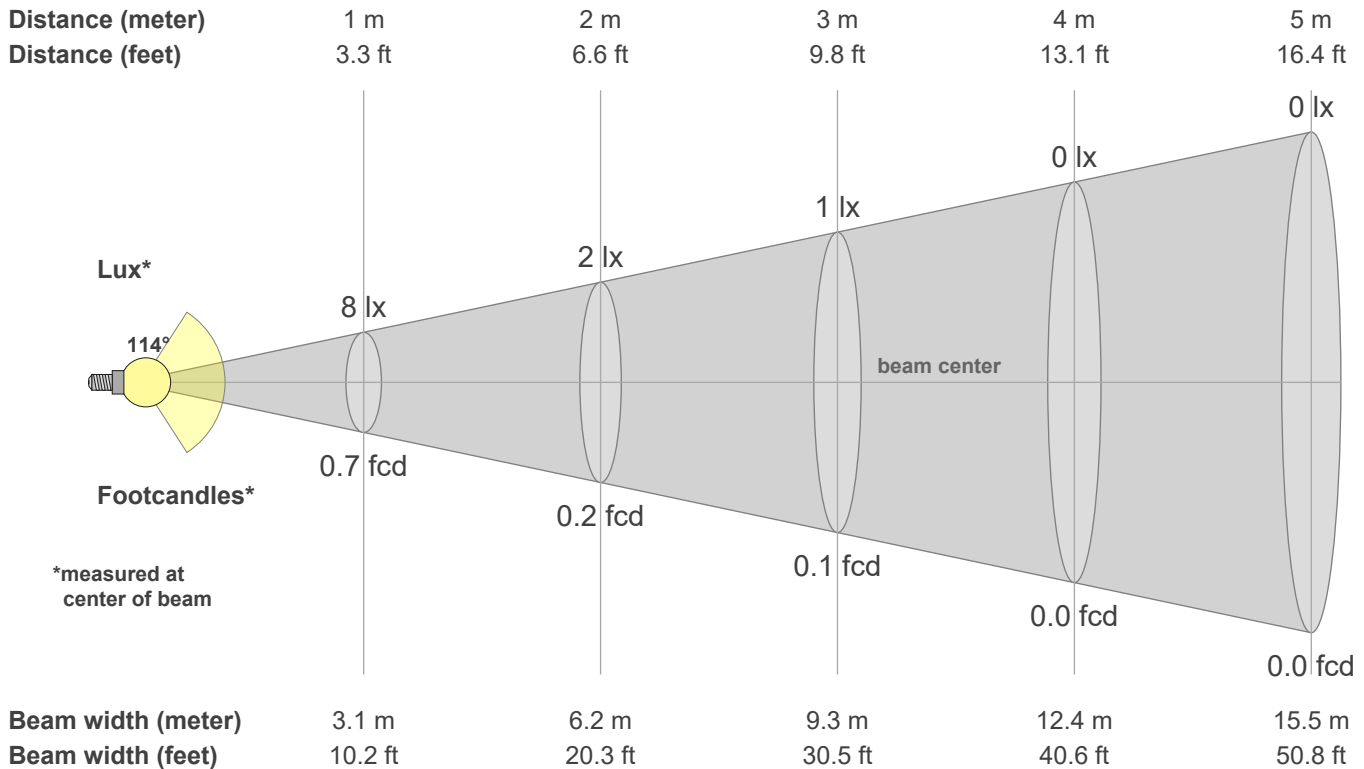
Q1	Q2	Q3	Q4	Q5	Q6	Q7	Q8	Q9	Q10	Q11	Q12	Q13	Q14	Q15
78.20	95.38	86.82	85.22	86.48	86.11	86.08	88.25	95.60	90.75	88.41	86.07	84.72	73.48	74.98

CQS: 84.4



Color parameters

CCT	CRI	CRI R9	TM30 Rf	TM30 Rg	CQS	x	y	u	v	Duv
3000 K	85.2	15.9	87.1	97.4	84.4	0.4	0.4	0.3	0.3	0.0003



Intensities in 0° c-plane

0°	5°	10°	15°	20°	25°	30°	35°	40°	45°	50°	55°	60°	65°	70°	75°	80°	85°	90°	95°
8	8	7	6	4	3	2	1	1	1	0	0	0	0	0	0	0	0	0	0
100%	98%	90%	73%	56%	36%	24%	16%	10%	7%	5%	2%	2%	0%	1%	1%	0%	0%	0%	0%

Intensities in 90° c-plane

0°	5°	10°	15°	20°	25°	30°	35°	40°	45°	50°	55°	60°	65°	70°	75°	80°	85°	90°	95°
8	9	9	10	12	14	18	26	30	34	40	54	92	180	258	289	290	258	220	73
100%	107%	116%	129%	149%	180%	230%	322%	373%	427%	508%	684%	1162%	2268%	3251%	3634%	3651%	3252%	2765%	919%

Intensities in 180° c-plane

0°	5°	10°	15°	20°	25°	30°	35°	40°	45°	50°	55°	60°	65°	70°	75°	80°	85°	90°	95°
8	7	6	4	3	2	1	1	1	0	0	0	0	0	0	0	0	0	0	0
100%	88%	73%	54%	35%	24%	15%	10%	7%	4%	2%	2%	1%	1%	1%	0%	0%	0%	1%	0%

Intensities in 270° c-plane

0°	5°	10°	15°	20°	25°	30°	35°	40°	45°	50°	55°	60°	65°	70°	75°	80°	85°	90°	95°
8	8	8	8	9	11	13	17	25	29	33	40	53	88	182	263	289	290	258	225
100%	100%	101%	106%	118%	138%	169%	219%	310%	364%	419%	501%	667%	1103%	2288%	3307%	3642%	3647%	3245%	2837%

Beam angle 50%	Field angle 10%	Cutoff angle 2.5%	Intensity ratio in 120° cone	Intensity ratio in 90° cone
114.3°	137.8°	165.5°	9.7%	3.8%