



3" GIMBAL DIMMABLE RECESSED LED DOWNLIGHT 120V, 8W, 3CCT (3000K, 4000K, 5000K)

Specifications



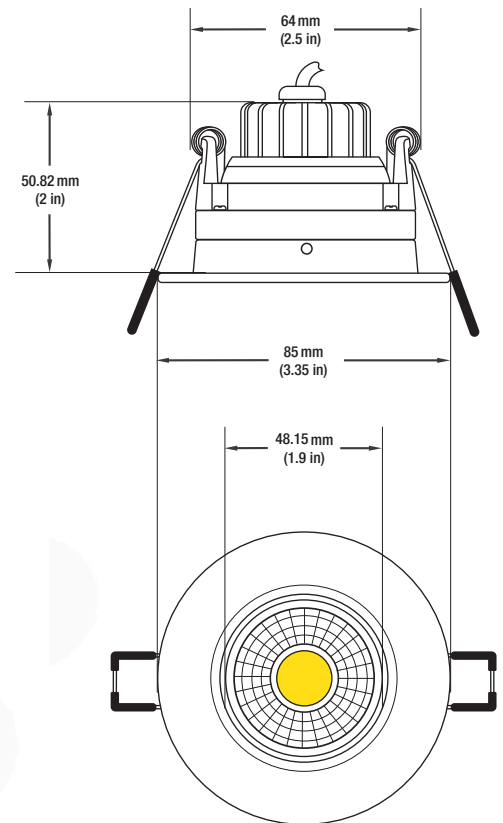
Model No.:	GL34-4
Input Voltage:	120V AC
Wattage:	8W
Frequency:	50-60Hz
Color Temperature:	Selectable 3CCT 3000K (Warm White) 4000K (Natural White) 5000K (Daylight)
Beam Angel:	40°
Body Color:	White
Brightness:	730 Lumens
Dimmable:	Yes
Rendering Index:	CRI>90
LED Type:	Integrated COB LED
LED Driver:	IC Rated
IP Rated:	IP20 (Damp Locations)
LED Driver:	Included
Wire Length:	30cm (11.8") 22AWG
Dimensions:	Diameter: 85mm (3.35") Depth: 51mm (2")
Cut Size:	Ø 64mm (2.5")
J-Box Dimensions:	Length: 108.5mm (4.26") Width: 60mm (2.36") Height: 34.7mm (1.36")
Certification:	ETL



Changeable Color Temperature (CCT)

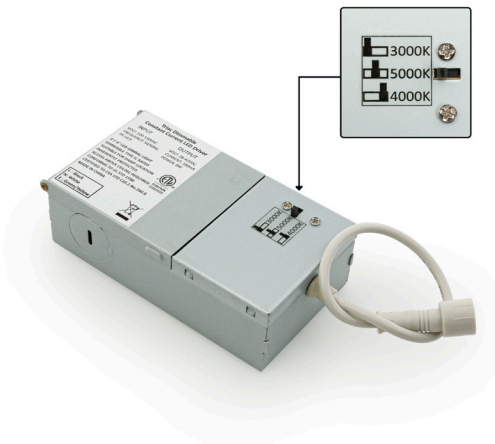


SKU: 666561424039



Features

- The GL34 is a 3" round gimbal dimmable recessed LED downlight/ceiling light.
- It operates on 120V AC and consumes 8 watts of power at 180mA current.
- It has a selectable color temperature feature with 3 options: 3000K, 4000K, and 5000K.
- The downlight provides a brightness of 730 lumens and a beam angle of 40°.
- It has a high color rendering index (CRI>90) for accurate color representation.
- The LED driver is IC rated and included with the fixture.
- Suitable for use in both dry and damp indoor locations with ETL certification.
- The downlight has a diameter of 85mm (3.35"), depth of 51mm (2"), and cut size of 64mm (2.5").
- The downlight is adjustable to different angles and comes in white color.
- Suitable for use in various ceiling applications in both residential and commercial indoor spaces.



Disclaimer

The data and information contained in this specification sheet are subject to change without notice; the ratings supplied are provided based on the product manufacturer. The information contained in this specification sheet should not be considered a warranty, expressed or implied, including, but not limited to, a warranty of merchantability or fitness for a particular purpose. In no event shall LED Lights and Parts be liable for any incidental or consequential damages resulting from the use, misuse, or inability to use the product. This exclusion applies regardless of whether such damages are sought based on breach of warranty, breach of contract, negligence, strict liability in tort, or any other legal theory.



LED Lights and Parts

WORLD OF LED LIGHTS

Light efficiency:

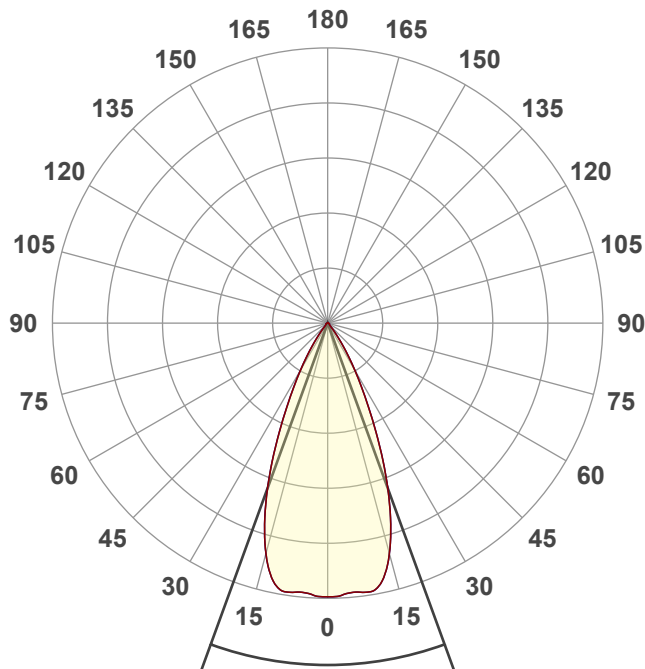
103 Lumen/Watt

Light quality:

CRI: 84.4

Color temperature:

3000 K



Beam angle

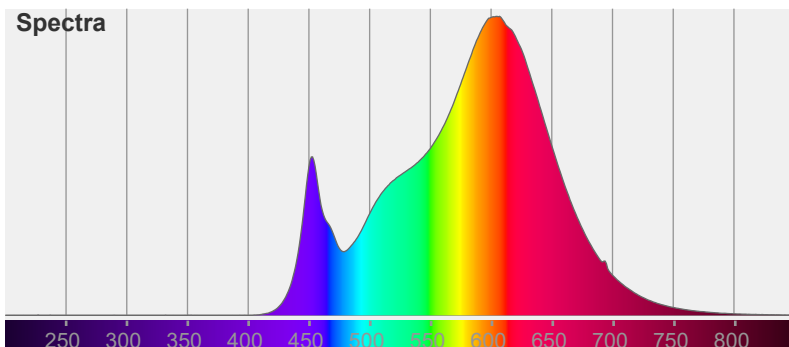
40°

Color



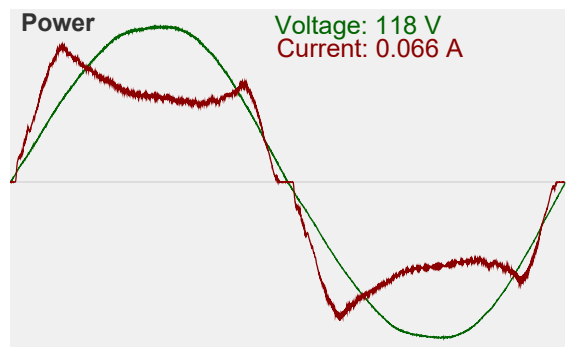
CIE1931
x: 0.438
y: 0.401

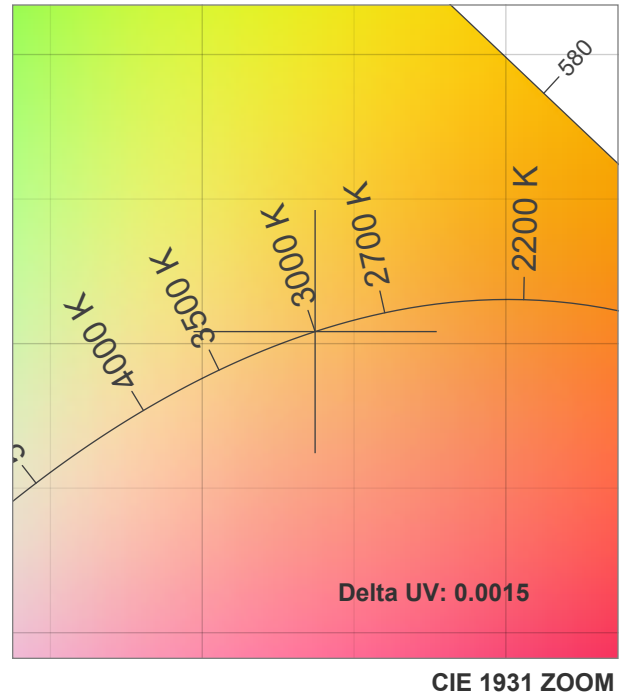
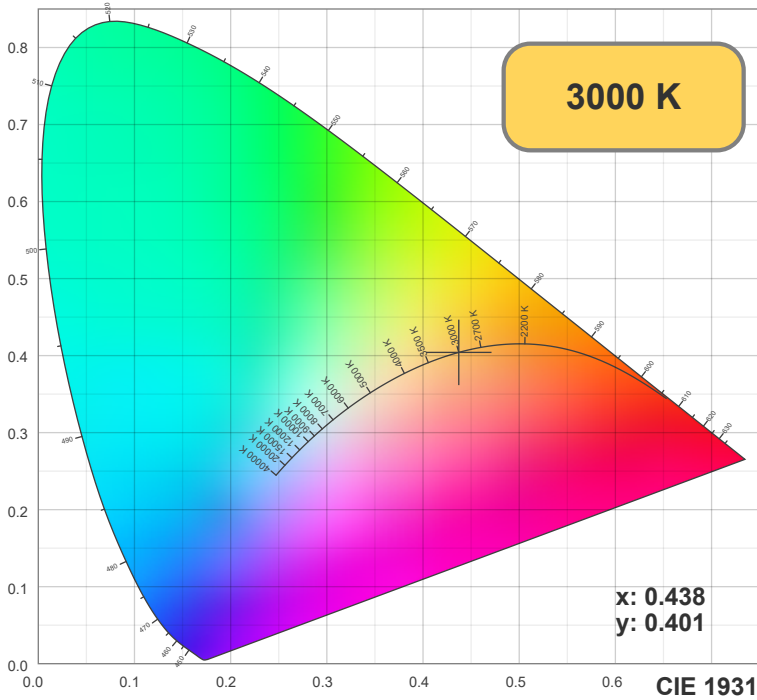
Spectra



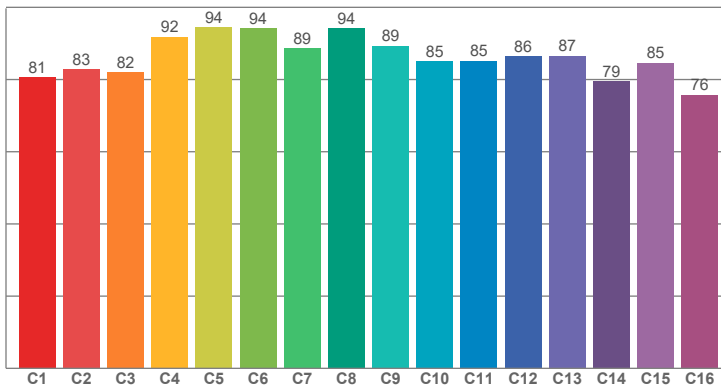
Power

Voltage: 118 V
Current: 0.066 A

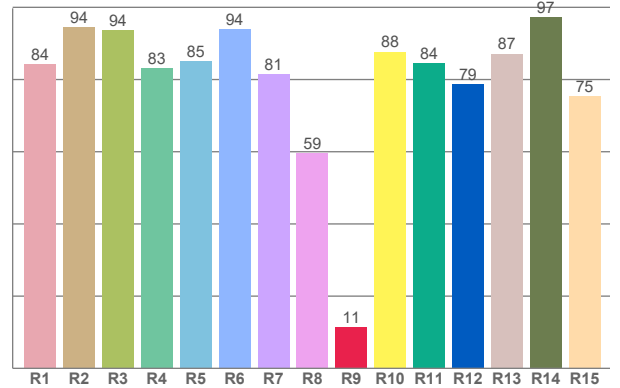




TM30: 86.3



CRI: 84.4 (R1-R8)



CRI R values, only R1-R8 are used to calculate final CRI value

R1	R2	R3	R4	R5	R6	R7	R8	R9	R10	R11	R12	R13	R14	R15
84.14	94.38	93.59	83.14	85.03	93.91	81.41	59.49	11.30	87.71	84.41	78.69	87.07	97.16	75.28

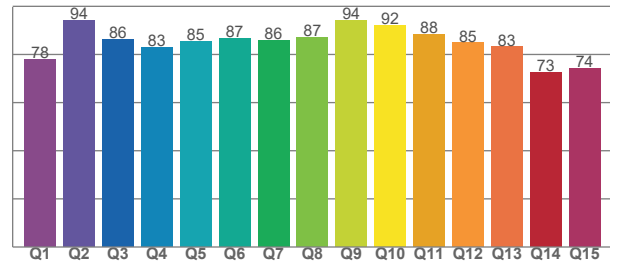
TM30 C values, 16 binned values out of total of 99 C values

C1	C2	C3	C4	C5	C6	C7	C8	C9	C10	C11	C12	C13	C14	C15	C16
80.60	82.87	81.95	91.87	94.48	94.12	88.68	94.24	89.33	85.08	85.14	86.48	86.51	79.43	84.64	75.73

CQS Q values

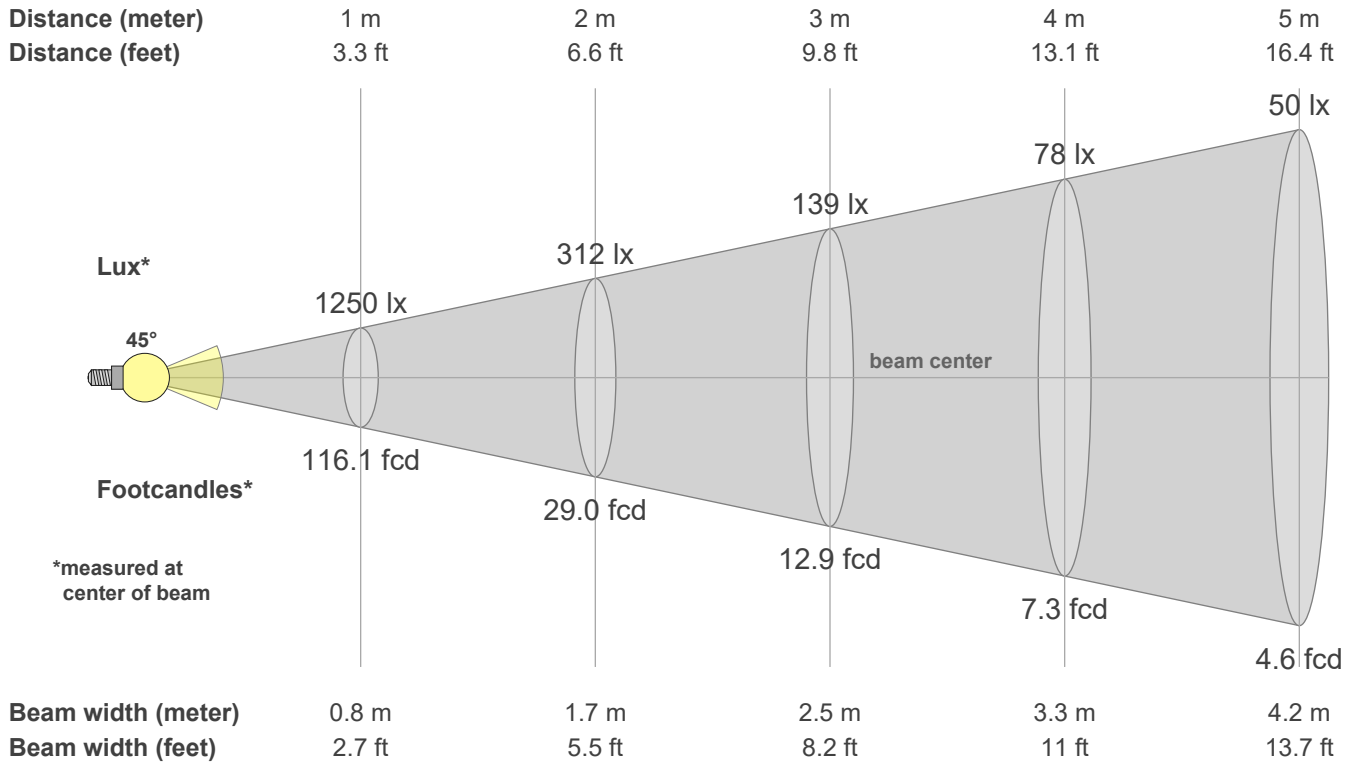
Q1	Q2	Q3	Q4	Q5	Q6	Q7	Q8	Q9	Q10	Q11	Q12	Q13	Q14	Q15
78.10	94.04	86.14	82.92	85.50	86.66	86.01	86.99	94.12	91.98	88.39	84.79	83.14	72.51	74.30

CQS: 83.7



Color parameters

CCT	CRI	CRI R9	TM30 Rf	TM30 Rg	CQS	x	y	u	v	Duv
3000 K	84.4	11.3	86.3	95.5	83.7	0.4	0.4	0.3	0.3	-0.0015



Intensities in 0° c-plane

0°	2°	4°	6°	8°	10°	12°	14°	16°	18°	20°	22°	24°	26°	28°	30°	32°	34°	36°	38°
1250	1249	1239	1236	1242	1238	1202	1134	1040	928	803	671	540	423	327	248	181	126	83	52
100%	100%	99%	99%	99%	99%	96%	91%	83%	74%	64%	54%	43%	34%	26%	20%	15%	10%	7%	4%

Intensities in 90° c-plane

0°	2°	4°	6°	8°	10°	12°	14°	16°	18°	20°	22°	24°	26°	28°	30°	32°	34°	36°	38°
1250	1249	1239	1236	1242	1238	1202	1134	1040	928	803	671	540	423	327	248	181	126	83	52
100%	100%	99%	99%	99%	99%	96%	91%	83%	74%	64%	54%	43%	34%	26%	20%	15%	10%	7%	4%

Intensities in 180° c-plane

0°	2°	4°	6°	8°	10°	12°	14°	16°	18°	20°	22°	24°	26°	28°	30°	32°	34°	36°	38°
1250	1249	1239	1236	1242	1238	1202	1134	1040	928	803	671	540	423	327	248	181	126	83	52
100%	100%	99%	99%	99%	99%	96%	91%	83%	74%	64%	54%	43%	34%	26%	20%	15%	10%	7%	4%

Intensities in 270° c-plane

0°	2°	4°	6°	8°	10°	12°	14°	16°	18°	20°	22°	24°	26°	28°	30°	32°	34°	36°	38°
1250	1249	1239	1236	1242	1238	1202	1134	1040	928	803	671	540	423	327	248	181	126	83	52
100%	100%	99%	99%	99%	99%	96%	91%	83%	74%	64%	54%	43%	34%	26%	20%	15%	10%	7%	4%

Beam angle 50%	Field angle 10%	Cutoff angle 2.5%	Intensity ratio in 120° cone	Intensity ratio in 90° cone
45.4°	68.1°	80.1°	97.9%	96.0%