

Model: VBD-012-060VTSP

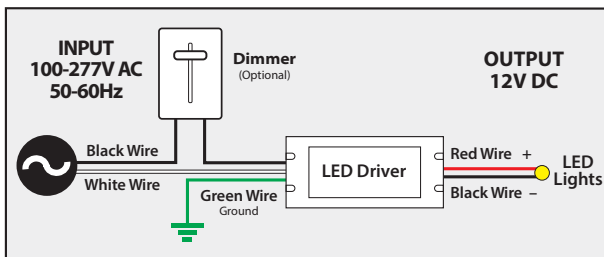
Input Voltage:	100 – 277V AC
Input Current at Max Load:	0.9 A
Frequency:	50-60 Hz
Output Voltage:	12V DC
Output Current:	5 A
Max Power:	60W
Dimensions L x W x H:	300mm x 31mm x 19mm
Class Certification:	Class 2/ Class P/ Type HL
Weight:	0.224 kg
IP Rating:	IP20 (Dry, and Damp Locations)
Dimmable:	Triac/ Phase-cut Dimming
Wiring/Housing:	Hardwire
Operating Temperature:	at least 90°C
Standards:	FC/UL/RoHS

Job Name: _____

Distributor: _____

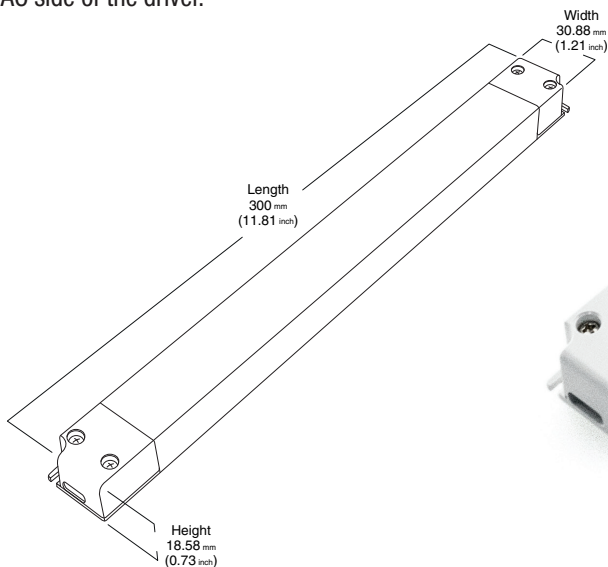
Type: _____

Installation Diagram



Dimming

Veroboard Phase Cut Dimming Constant Voltage LED drivers work with any standard Leading Edge, MLV, or TRIAC dimmers. The dimmer switch must be installed on the 120V AC side of the driver.



**12V DC
60W
CLASS 2**

SKU: 666561419752