

## Model: VBD-024-060VWSW

<b>Input Voltage:</b>	100 – 277V AC
<b>Input Current at Max Load:</b>	0.9 A
<b>Frequency:</b>	50/60 Hz
<b>Output Voltage:</b>	24V DC
<b>Output Current:</b>	2.5 A
<b>Max Power:</b>	60 W
<b>Dimensions L x W x H:</b>	282 mm x 32 mm x 20 mm
<b>Class Certification:</b>	Class 2/Class P/Type HL
<b>Weight:</b>	0.39 kg
<b>IP Rating:</b>	IP67 (Dry, Damp, and Wet Locations)
<b>Dimmable:</b>	No
<b>Wiring/Housing:</b>	Hardwire
<b>Operating Temperature:</b>	at least 90°C
<b>Standards:</b>	CE/FC/UL/RoHS

### ORDER INFORMATION

Please fill out the below interactive form and press the **SUBMIT** button to send it electronically.

**Name:** \_\_\_\_\_

**Project Name:** \_\_\_\_\_

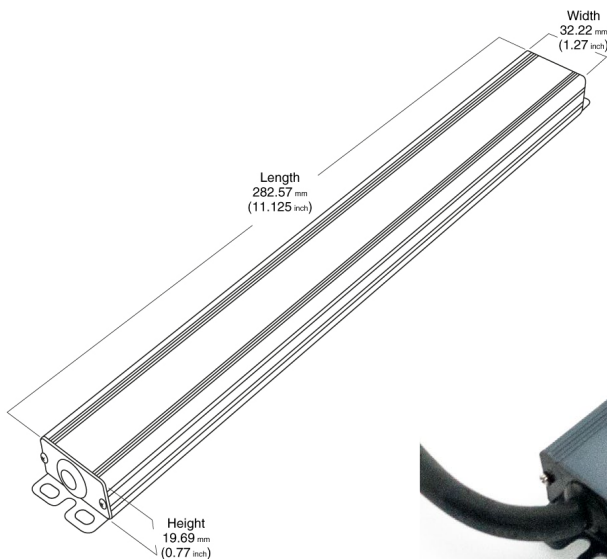
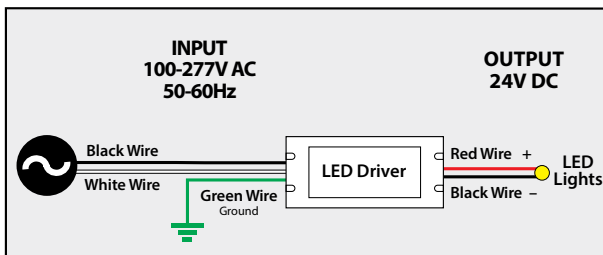
**Email:** \_\_\_\_\_

**Phone:** \_\_\_\_\_

**Quantity:** \_\_\_\_\_

**Notes:** \_\_\_\_\_

### Installation Diagram



**24V DC**  
**60W**  
**CLASS 2**

**SKU: 666561419721**