

Model: VBD-012-060VWSW

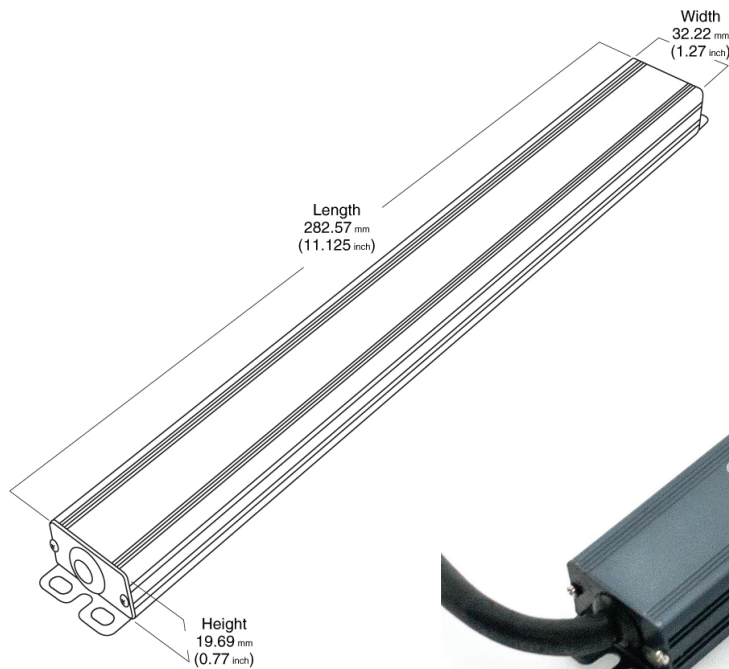
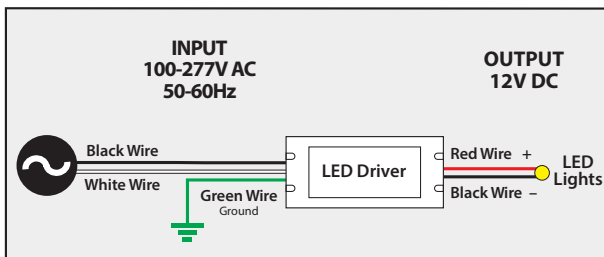
Input Voltage:	100 – 277V AC
Input Current at Max Load:	0.9 A
Frequency:	50/60 Hz
Output Voltage:	12V DC
Output Current:	5.0 A
Max Power:	60W
Dimensions L x W x H:	282mm x 32mm x 20mm
Class Certification:	Class 2/Class P/Type HL
Weight:	0.376 kg
IP Rating:	IP67 (Dry, Damp, and Wet Locations)
Dimmable:	No
Wiring/Housing:	Hardwire
Operating Temperature:	at least 90°C
Standards:	CE/FC/UL/RoHS

Job Name: _____

Distributor: _____

Type: _____

Installation Diagram



12V DC
60W
CLASS 2

SKU: 666561419714