



# HORIZONTAL AND VERTICAL STEP LIGHT 120V, 2.5W, 3000K (WARM WHITE)

## Specifications



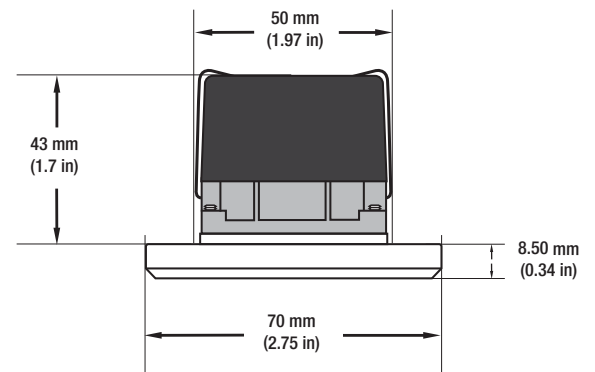
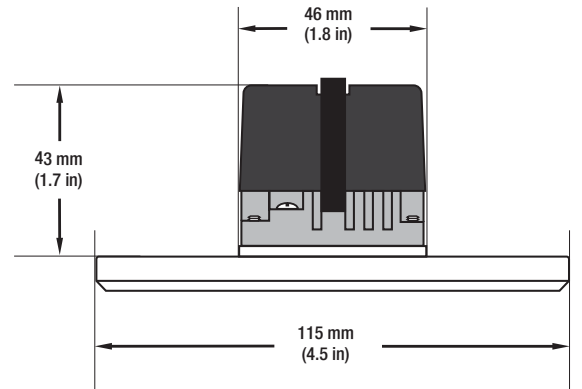
<b>Model No.:</b>	ST-1025-BN
<b>Input Voltage:</b>	120V DC
<b>Wattage:</b>	2.5W
<b>Available Other Colors:</b>	White, Black
<b>Color Temperatures:</b>	3000K (Warm White)
<b>Brightness:</b>	25 Lumens
<b>Beam Angle:</b>	100°
<b>IP Rating:</b>	IP65 (Outdoor Rated)
<b>Rendering Index:</b>	CRI>80
<b>Dimmable:</b>	No
<b>Dimensions:</b>	115mm x 70mm x 43mm (4.5" x 2.75" x 1.7")
<b>Dimensions (Outlet Box):</b>	52mm x 102mm x 54mm (2" x 4" x 2.12")
<b>Certification:</b>	ETL



**SKU#: 666561416577**

## Features

- Outdoor-rated lighting solution designed to illuminate pathways and steps.
- Power consumption of 2.5W and emits warm white light with a color temperature of 3000K.
- Available in black, white, and brushed nickel surface finish.
- Brightness of 25Lm and a high color rendering index (CRI) of over 80, ensuring natural and vibrant colors.
- Housing made of durable materials, resistant to damage from environmental factors such as moisture and dust.
- IP65 rated, suitable for use in wet locations without risk of water damage.
- Trim of the light can be rotated 90 degrees to change the orientation based on the desired project whether horizontal installation or vertical certified by ETL, ensuring it meets safety and performance standards Not dimmable Suitable for direct connection to the line without the need for a transformer, with a voltage of 120V AC Ideal for use in gardens, patios, and other outdoor areas.



## Disclaimer

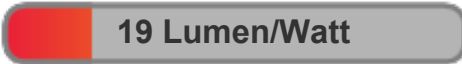
The data and information contained in this specification sheet are subject to change without notice; the ratings supplied are provided based on the product manufacturer. The information contained in this specification sheet should not be considered a warranty, expressed or implied, including, but not limited to, a warranty of merchantability or fitness for a particular purpose. In no event shall LED Lights and Parts be liable for any incidental or consequential damages resulting from the use, misuse, or inability to use the product. This exclusion applies regardless of whether such damages are sought based on breach of warranty, breach of contract, negligence, strict liability in tort, or any other legal theory.



# LED Lights and Parts

WORLD OF LED LIGHTS

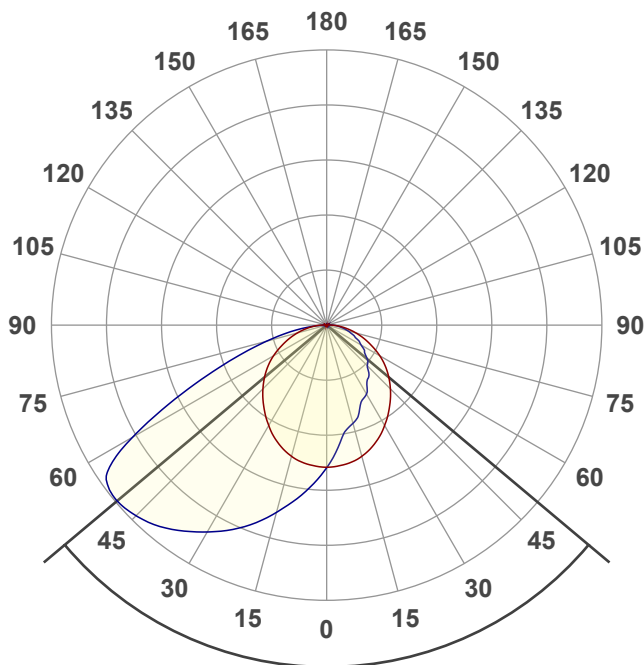
Light efficiency:



Light quality:



Color temperature:



Beam angle

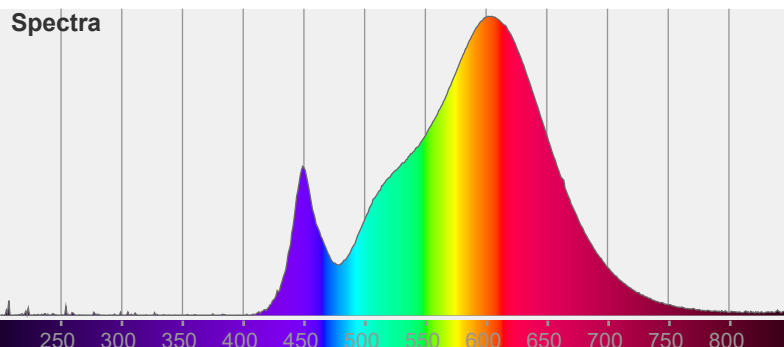
100°

Color



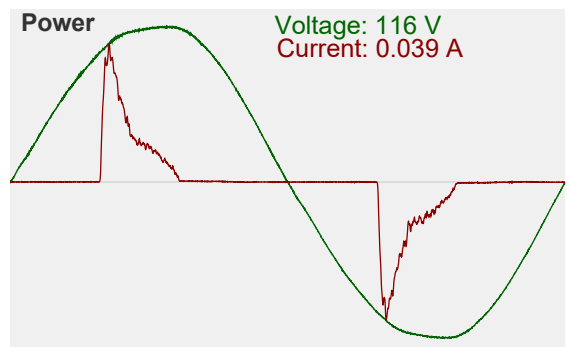
CIE1931  
x: 0.440  
y: 0.405

Spectra

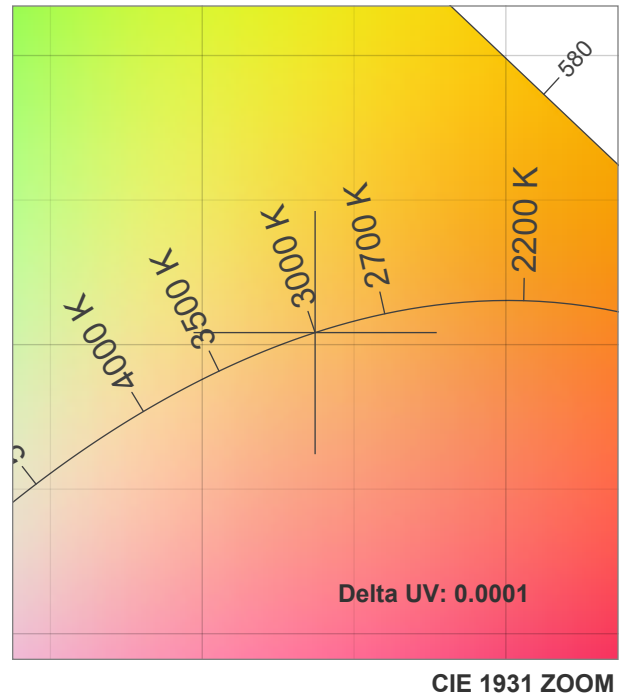
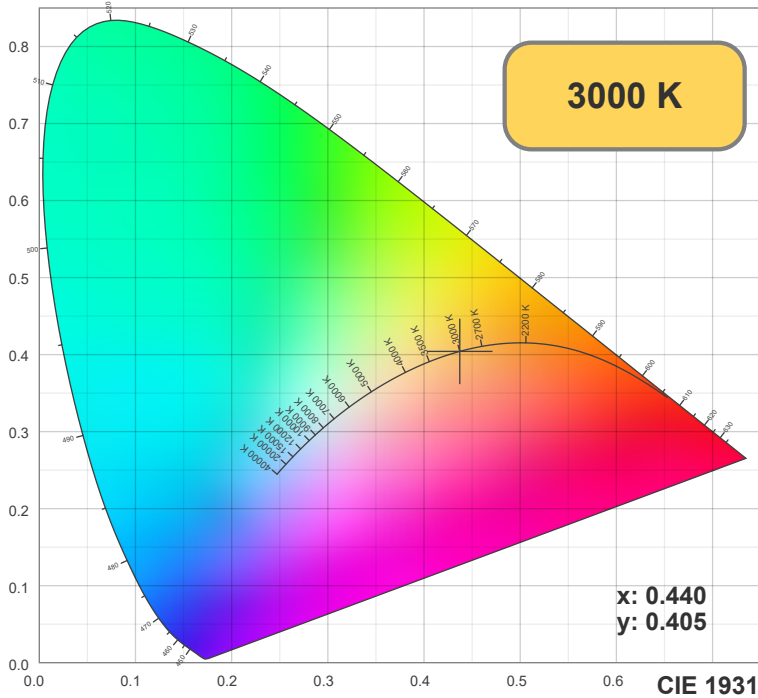


Power

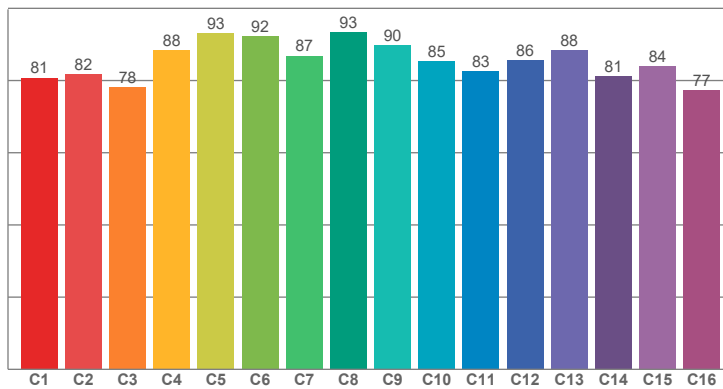
Voltage: 116 V  
Current: 0.039 A



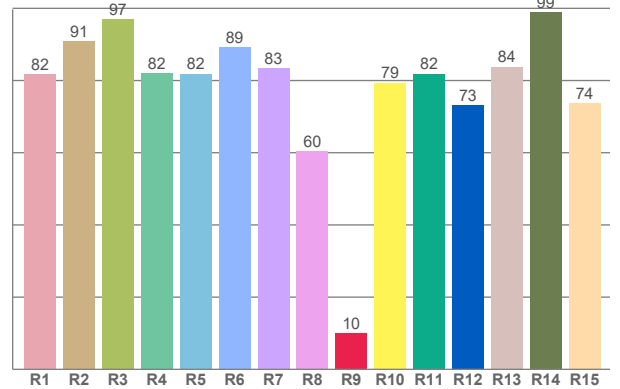
Light measurement was created using the Viso Systems - Light Inspector. [www.visosystems.com](http://www.visosystems.com)



**TM30: 85.3**



**CRI: 83.3 (R1-R8)**



**CRI R values, only R1-R8 are used to calculate final CRI value**

R1	R2	R3	R4	R5	R6	R7	R8	R9	R10	R11	R12	R13	R14	R15
81.63	90.88	96.92	81.97	81.79	89.20	83.38	60.32	9.98	79.40	81.79	73.19	83.81	98.86	73.63

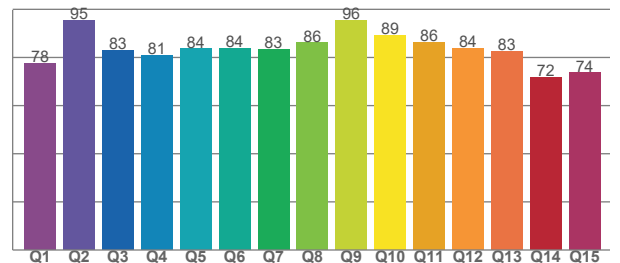
**TM30 C values, 16 binned values out of total of 99 C values**

C1	C2	C3	C4	C5	C6	C7	C8	C9	C10	C11	C12	C13	C14	C15	C16
80.71	81.67	78.10	88.29	92.99	92.28	86.79	93.34	89.71	85.25	82.55	85.54	88.27	81.12	83.90	77.34

**CQS Q values**

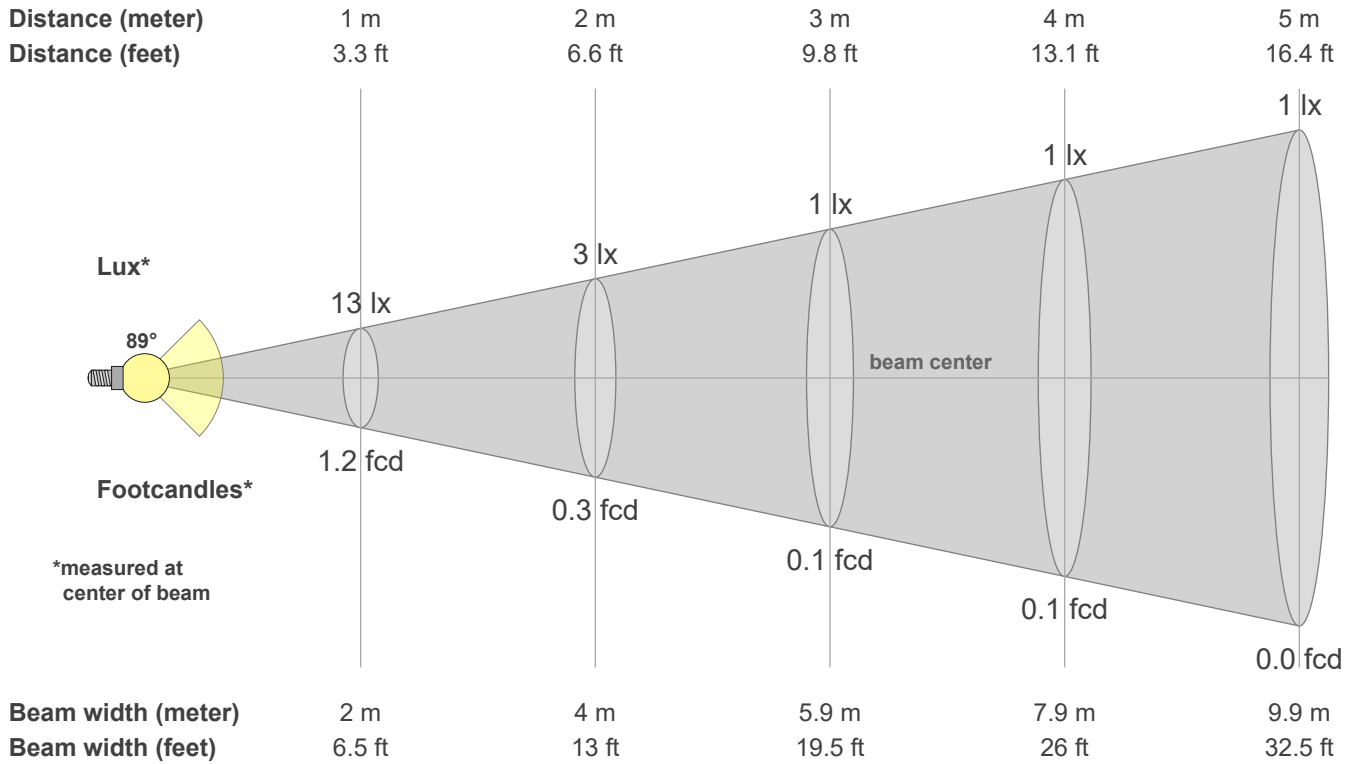
Q1	Q2	Q3	Q4	Q5	Q6	Q7	Q8	Q9	Q10	Q11	Q12	Q13	Q14	Q15
77.68	95.38	83.07	80.91	83.60	83.70	83.46	86.10	95.55	89.32	86.30	83.77	82.68	71.71	73.61

**CQS: 82.4**



## Color parameters

CCT	CRI	CRI R9	TM30 Rf	TM30 Rg	CQS	x	y	u	v	Duv
3000 K	83.3	10.0	85.3	96.8	82.4	0.4	0.4	0.3	0.3	-0.0002



### Intensities in 0° c-plane

0°	5°	10°	15°	20°	25°	30°	35°	40°	45°	50°	55°	60°	65°	70°	75°	80°	85°	90°	95°
13.4	13.3	13.2	12.8	12.3	11.7	10.9	10.2	9.3	8.5	7.7	6.8	5.8	4.8	3.8	2.9	2.0	1.2	0.5	0.1
100%	99%	98%	95%	92%	87%	81%	76%	69%	63%	57%	50%	43%	35%	28%	21%	15%	9%	4%	0%

### Intensities in 90° c-plane

0°	5°	10°	15°	20°	25°	30°	35°	40°	45°	50°	55°	60°	65°	70°	75°	80°	85°	90°	95°
13.4	11.7	10.2	9.6	8.9	7.9	7.5	6.7	6.2	5.5	5.0	4.4	3.8	3.2	2.6	2.1	1.5	1.0	0.6	0.2
100%	87%	76%	71%	66%	59%	56%	49%	46%	41%	37%	32%	28%	24%	20%	15%	11%	8%	4%	1%

### Intensities in 180° c-plane

0°	5°	10°	15°	20°	25°	30°	35°	40°	45°	50°	55°	60°	65°	70°	75°	80°	85°	90°	95°
13.4	13.3	13.2	12.8	12.3	11.7	10.9	10.2	9.3	8.5	7.7	6.8	5.8	4.8	3.8	2.9	2.0	1.2	0.5	0.1
100%	99%	98%	95%	92%	87%	81%	76%	69%	63%	57%	50%	43%	35%	28%	21%	15%	9%	4%	0%

### Intensities in 270° c-plane

0°	5°	10°	15°	20°	25°	30°	35°	40°	45°	50°	55°	60°	65°	70°	75°	80°	85°	90°	95°
13.4	15.1	16.7	18.3	19.9	21.3	22.6	23.7	24.8	25.5	25.8	25.3	21.1	14.8	9.6	5.9	3.3	1.3	0.2	0.0
100%	112%	124%	136%	148%	159%	168%	176%	184%	189%	192%	188%	157%	110%	71%	44%	25%	10%	2%	0%

Beam angle 50%	Field angle 10%	Cutoff angle 2.5%	Intensity ratio in 120° cone	Intensity ratio in 90° cone
89.4°	160.2°	179.9°	75.9%	47.3%