

## Model: VBD-012-012ND

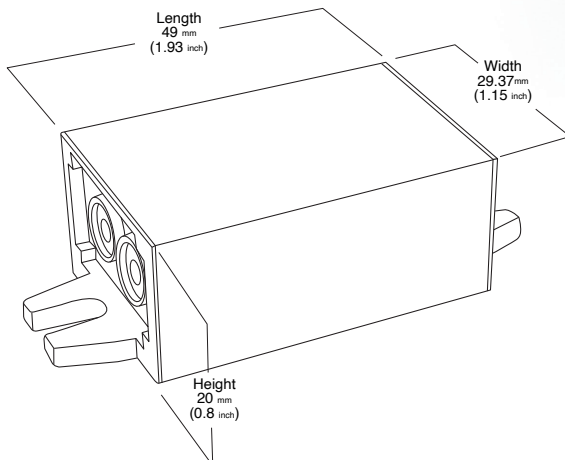
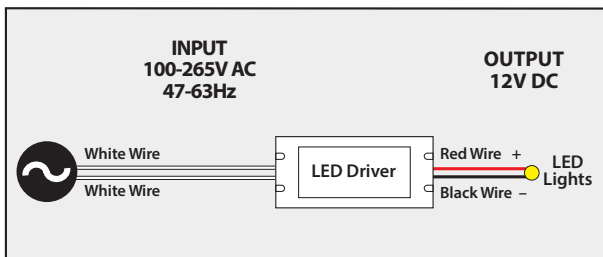
<b>Input Voltage:</b>	100-265V AC
<b>Frequency:</b>	47-63 Hz
<b>Output Voltage:</b>	12V DC
<b>Output Current:</b>	1 A
<b>Max Power:</b>	12W
<b>Dimensions L x W x H:</b>	49mm x 30mm x 20mm
<b>Class Certification:</b>	Class 2
<b>Weight:</b>	0.04 kg
<b>IP Rating:</b>	IP67 (Dry, Damp, and Wet Locations)
<b>Dimmable:</b>	No
<b>Wiring/Housing:</b>	Hardwire
<b>Operating Temperature:</b>	at least 90°C
<b>Standards:</b>	CE/ETL/RoHS

Job Name: \_\_\_\_\_

Distributor: \_\_\_\_\_

Type: \_\_\_\_\_

### Installation Diagram



**12V DC**  
**12W**  
**CLASS 2**

**SKU: 666561415778**