



## WALL MOUNTING LANDSCAPE LIGHT 24V DC, 19.7W, 3000K (WARM WHITE)

### Specifications

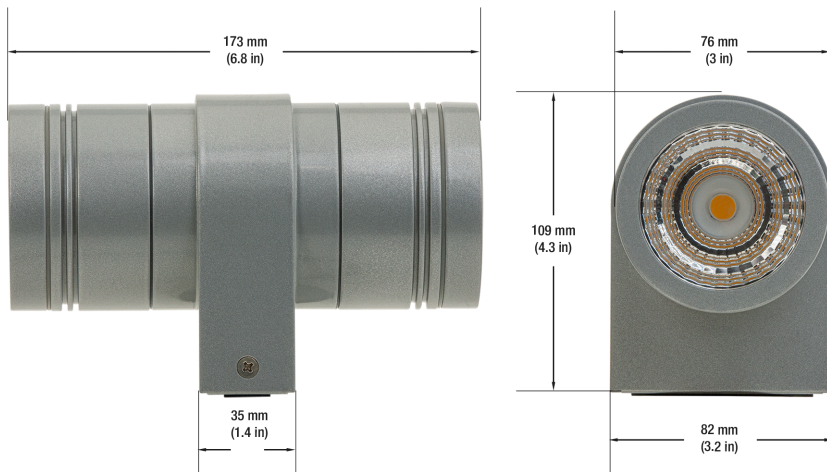
<b>Model No.:</b>	R7BB0227
<b>Input Voltage:</b>	24V DC
<b>Wattage:</b>	19.7W
<b>Color Temperatures:</b>	3000K (Warm White)
<b>Glass:</b>	6mm Tempered Glass
<b>Lens:</b>	Optical Reflector Efficiency $\geq 85\%$
<b>Light Source:</b>	2 x 8W LEDs
<b>IP Rating:</b>	IP65 (Suitable for Wet Locations)
<b>Operating Temperature:</b>	20°C - 40°C
<b>Wire Size:</b>	350mm (13.7") 18AWG
<b>Dimensions:</b>	<b>Diameter:</b> 76mm (3") <b>Length:</b> 173mm (6.8") <b>Height:</b> 109mm (4.3")
<b>Certification:</b>	CE



SKU#: 666561415006

### Features

- High-quality outdoor lighting fixture.
- Operates at 24V DC for energy efficiency.
- Power consumption of 19.7 watts.
- Warm and welcoming 3000K (Warm White) color temperature.
- Crafted for durability with 6mm tempered glass.
- Optical reflector with over 85% efficiency for efficient light distribution.
- Equipped with two 8W LEDs for longevity and energy savings.
- IP65 rating for wet location suitability and protection against the elements.
- Operates in a temperature range of -20°C to 40°C, adaptable to various climates.
- Includes 18AWG wire, 350mm (13.7") in length for easy installation.
- Enhances the visual appeal of outdoor spaces for both functional and aesthetic purposes.



### Disclaimer

The data and information contained in this specification sheet are subject to change without notice; the ratings supplied are provided based on the product manufacturer. The information contained in this specification sheet should not be considered a warranty, expressed or implied, including, but not limited to, a warranty of merchantability or fitness for a particular purpose. In no event shall LED Lights and Parts be liable for any incidental or consequential damages resulting from the use, misuse, or inability to use the product. This exclusion applies regardless of whether such damages are sought based on breach of warranty, breach of contract, negligence, strict liability in tort, or any other legal theory.