



## 2" FOUR-WAY LED IN-GROUND LIGHT 24V 2.6W 3000K (WARM WHITE)

### Specifications



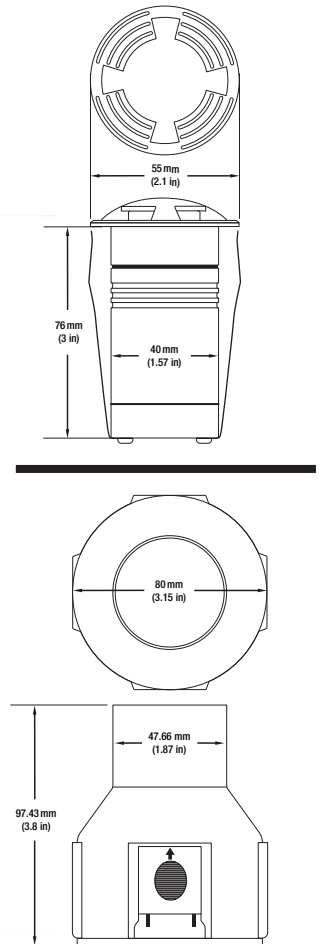
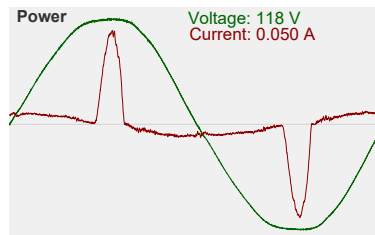
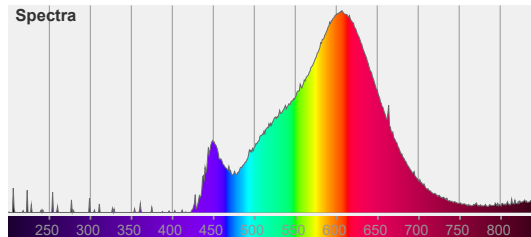
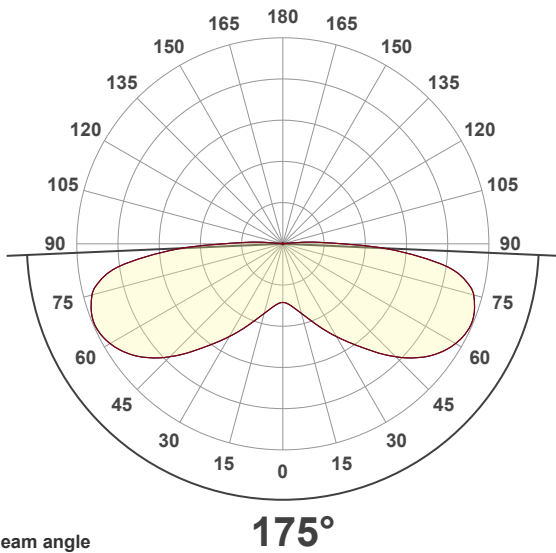
<b>Model No.:</b>	4E2WC0157A
<b>Input Voltage:</b>	24V DC
<b>Wattage:</b>	2.6W
<b>Color Temperatures:</b>	3000K (Warm White)
<b>Lens Type:</b>	Clear
<b>Beam Angle:</b>	175°
<b>Housing:</b>	2# Die-casting grey powder coated aluminum (RAL432U) Adhesion of ISO class 1/ASTM class 4B
<b>Front cover:</b>	Stainless steel 316# Cable gland: Molding shaped silicone seal
<b>Operating Temperature:</b>	-20 °C - 40 °C
<b>IP Rating:</b>	IP67 (Outdoor rated)
<b>Dimensions:</b>	<b>Inside Diameter:</b> 40mm (1.57in) <b>Outside Diameter:</b> 55mm (2.16in) <b>Height:</b> 80mm (3.14in)
<b>Cable Size</b>	<b>Length:</b> 53cm (21in) <b>Diameter:</b> 7.5mm (0.3in) <b>Wire Gauge:</b> 2 x 18AWG
<b>Certification:</b>	CE



**SKU#: 666561414719**

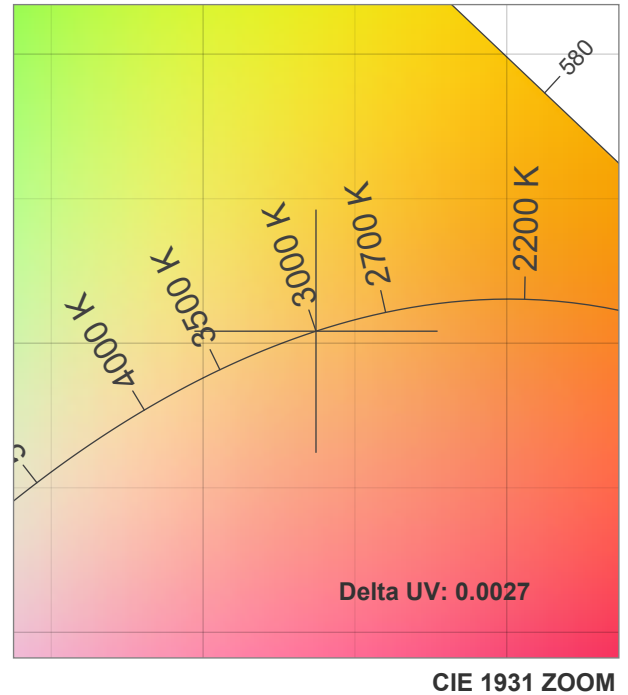
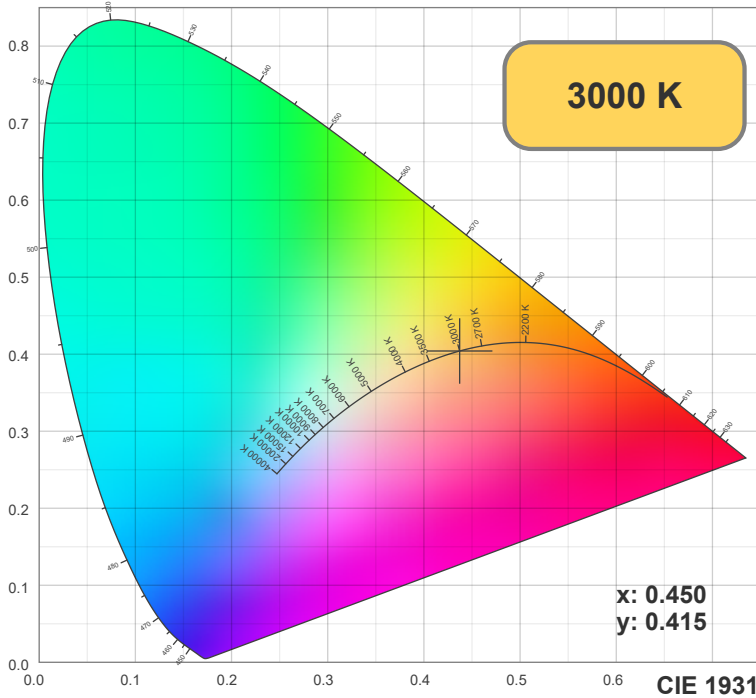
### Features

- Four-way LED inground driveway light for outdoor applications.
- Operates on 24V with a total power consumption of 2.6W and 3000K warm white color temperature.
- Housing made of 2# die-casting grey powder-coated aluminum (RAL432U).
- Front cover made of stainless steel 316# with a molding-shaped silicone seal cable gland.
- IP67 rating for all types of weather conditions and resilience to being stepped upon, and IK10 rating for impact resistance.
- Creates a unique ambiance or offers functional illumination for walkways, garden lighting, and other desired applications.

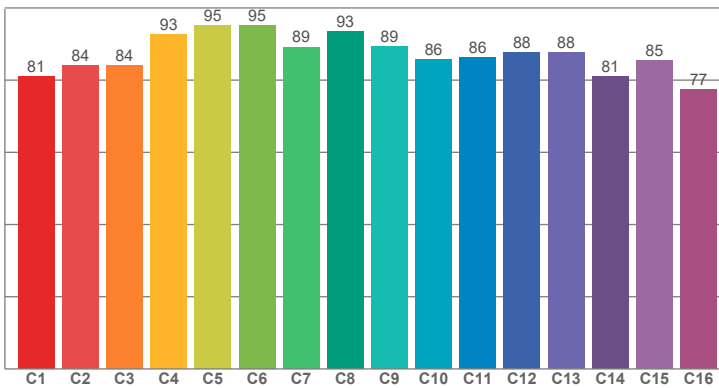


### Disclaimer

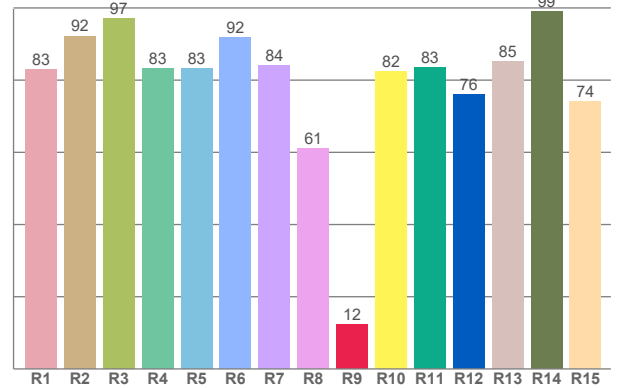
The data and information contained in this specification sheet are subject to change without notice; the ratings supplied are provided based on the product manufacturer. The information contained in this specification sheet should not be considered a warranty, expressed or implied, including, but not limited to, a warranty of merchantability or fitness for a particular purpose. In no event shall LED Lights and Parts be liable for any incidental or consequential damages resulting from the use, misuse, or inability to use the product. This exclusion applies regardless of whether such damages are sought based on breach of warranty, breach of contract, negligence, strict liability in tort, or any other legal theory.



**TM30: 87.1**



**CRI: 84.4 (R1-R8)**



**CRI R values, only R1-R8 are used to calculate final CRI value**

R1	R2	R3	R4	R5	R6	R7	R8	R9	R10	R11	R12	R13	R14	R15
82.96	92.21	97.01	83.29	83.15	91.78	84.02	61.02	12.21	82.47	83.48	75.97	85.23	98.98	74.01

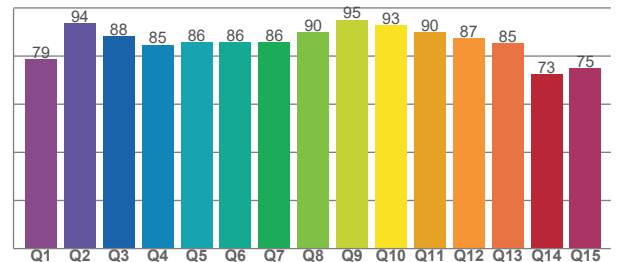
**TM30 C values, 16 binned values out of total of 99 C values**

C1	C2	C3	C4	C5	C6	C7	C8	C9	C10	C11	C12	C13	C14	C15	C16
81.03	83.98	84.08	92.70	95.12	95.17	89.18	93.37	89.35	85.64	86.16	87.71	87.67	80.95	85.37	77.42

**CQS Q values**

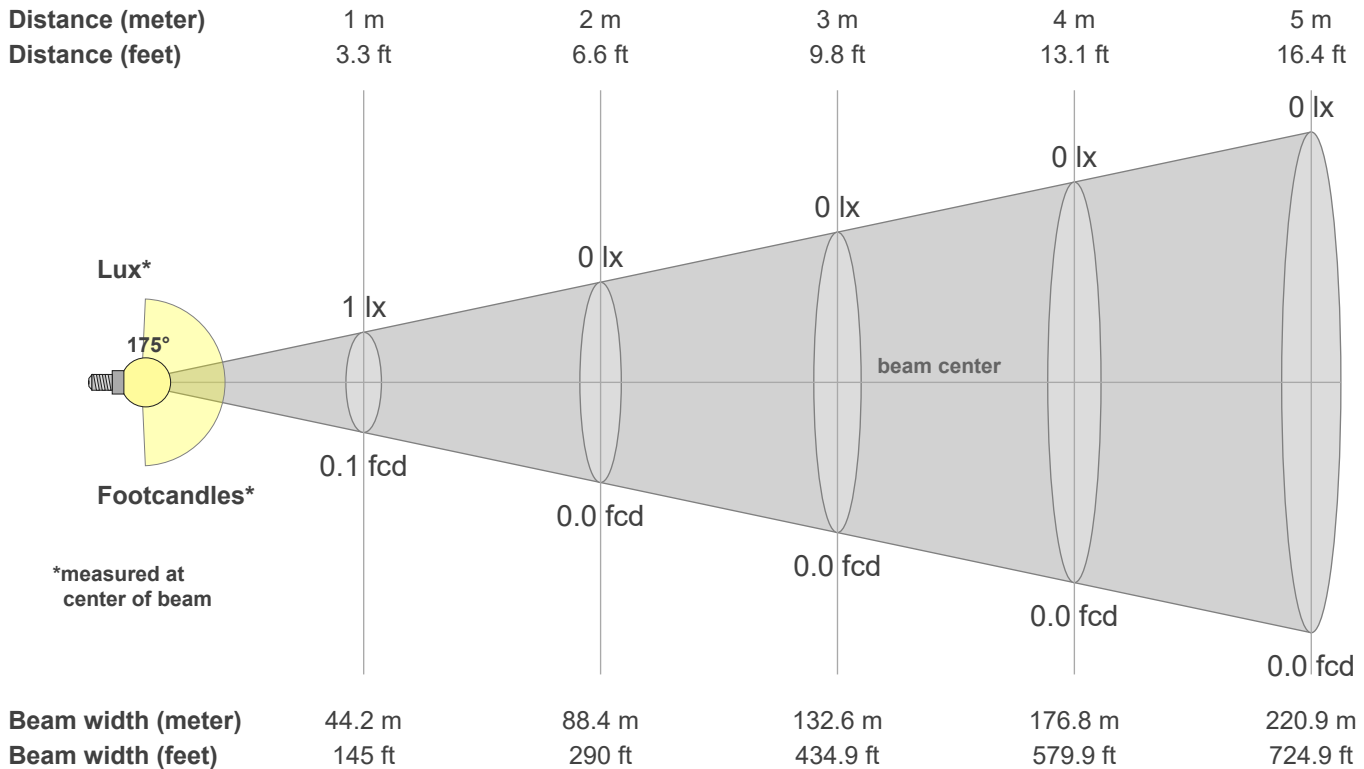
Q1	Q2	Q3	Q4	Q5	Q6	Q7	Q8	Q9	Q10	Q11	Q12	Q13	Q14	Q15
78.53	93.80	88.15	84.76	85.74	85.86	85.87	89.86	95.13	92.70	89.81	87.40	85.29	72.57	74.92

**CQS: 84.5**



### Color parameters

CCT	CRI	CRI R9	TM30 Rf	TM30 Rg	CQS	x	y	u	v	Duv
3000 K	84.4	12.2	87.1	94.2	84.5	0.4	0.4	0.3	0.3	0.0027



### Intensities in 0° c-plane

0°	9°	18°	27°	36°	45°	54°	63°	72°	81°	90°	99°	108°	117°	126°	135°	144°	153°	162°	171°
0.71	0.77	0.93	1.19	1.52	1.92	2.26	2.44	2.43	2.06	0.81	0.03	0.00	0.00	0.00	0.00	0.00	0.00	0.00	0.00
100%	109%	131%	167%	213%	270%	318%	343%	341%	290%	113%	5%	1%	1%	1%	0%	1%	0%	0%	1%

### Intensities in 90° c-plane

0°	9°	18°	27°	36°	45°	54°	63°	72°	81°	90°	99°	108°	117°	126°	135°	144°	153°	162°	171°
0.71	0.77	0.93	1.19	1.52	1.92	2.26	2.44	2.43	2.06	0.81	0.03	0.00	0.00	0.00	0.00	0.00	0.00	0.00	0.00
100%	109%	131%	167%	213%	270%	318%	343%	341%	290%	113%	5%	1%	1%	1%	0%	1%	0%	0%	1%

### Intensities in 180° c-plane

0°	9°	18°	27°	36°	45°	54°	63°	72°	81°	90°	99°	108°	117°	126°	135°	144°	153°	162°	171°
0.71	0.77	0.93	1.19	1.52	1.92	2.26	2.44	2.43	2.06	0.81	0.03	0.00	0.00	0.00	0.00	0.00	0.00	0.00	0.00
100%	109%	131%	167%	213%	270%	318%	343%	341%	290%	113%	5%	1%	1%	1%	0%	1%	0%	0%	1%

### Intensities in 270° c-plane

0°	9°	18°	27°	36°	45°	54°	63°	72°	81°	90°	99°	108°	117°	126°	135°	144°	153°	162°	171°
0.71	0.77	0.93	1.19	1.52	1.92	2.26	2.44	2.43	2.06	0.81	0.03	0.00	0.00	0.00	0.00	0.00	0.00	0.00	0.00
100%	109%	131%	167%	213%	270%	318%	343%	341%	290%	113%	5%	1%	1%	1%	0%	1%	0%	0%	1%

Beam angle 50%	Field angle 10%	Cutoff angle 2.5%	Intensity ratio in 120° cone	Intensity ratio in 90° cone
174.8°	189.4°	194.1°	43.5%	20.0%