

INSTALLATION INSTRUCTIONS

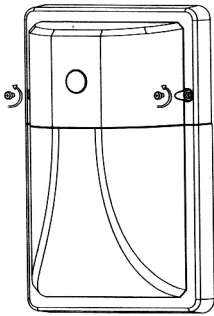
LED Wall Pack



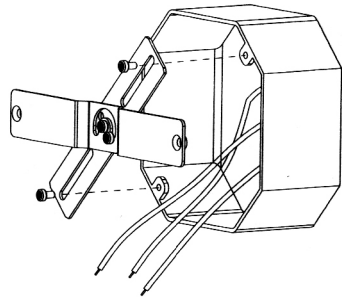
CAUTIONS

READ AND FOLLOW ALL SAFETY INSTRUCTIONS

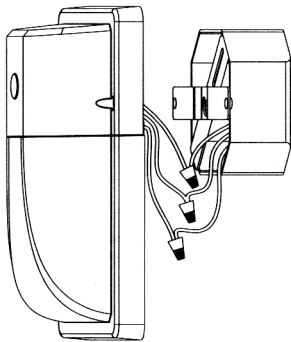
1. DANGER- Risk of shock- Disconnect power before installation.
2. This luminaire must be installed in accordance with the NEC or your local electrical code.
3. Suitable for wet location and operation in ambient not exceeding 40°C
4. Min 75°C supply conductors.
5. Products are not intended for use in environments containing airborne corrosive agents such as chemical solvents, cleaners, or cutting fluids.
6. This luminaire is rated for 120-277Vac 60Hz only.
7. Replace the Lens if damaged



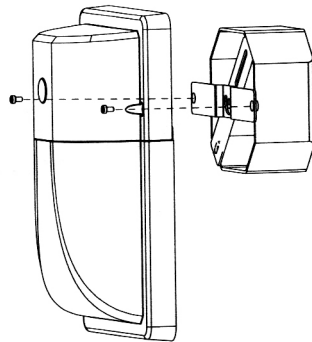
✖ 1. Install the cross screw



✖ 2. Install back plate to junction box



✖ 3. Connect wire



✖ 4. Install the fixture body and screw

make the following electrical connections in the mounting box or junction box:

- a. Connect the black fixture lead to the voltage supply lead
- b. Connect the white fixture lead to the neutral supply lead
- c. Connect the ground lead to the supply ground lead.