



# UL-1014 TYPE 9

## ROUND LED STEP LIGHT EYELID TRIM STAINLESS STEEL TYPE 9 (3000K/RGB)

### Specifications



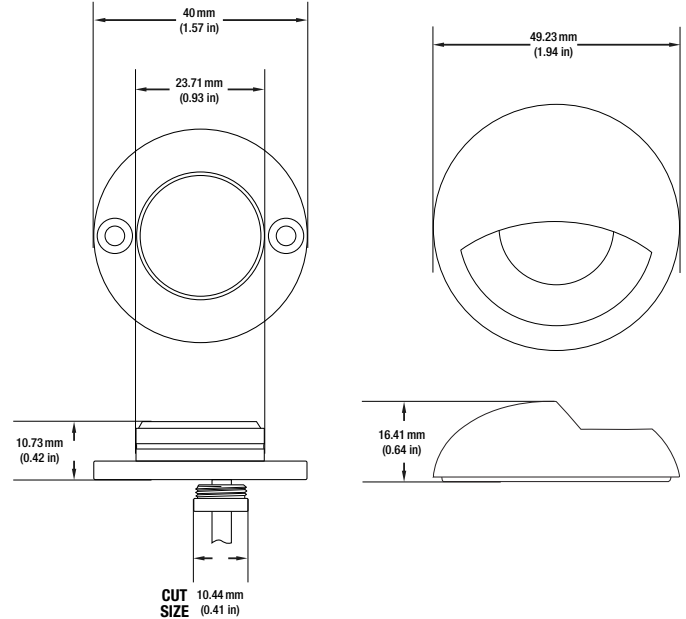
<b>Model (3000K Engine):</b>	UL-1014
<b>Mode (RGB Engine):</b>	UL-1014RGB
<b>Voltage:</b>	12-24V (3000K Engine) 5V (RGB Engine)
<b>Wattage:</b>	1.2W (3000K Engine) 1W (RGB Engine)
<b>Trim Type:</b>	Flat Bevel Trim
<b>Available Color Temperatures:</b>	3000K (Warm White), RGB
<b>LED Type:</b>	COB LED
<b>Brightness:</b>	40-45 lumens
<b>Dimmable:</b>	Yes
<b>IP Rating:</b>	IP67 (Outdoor Rated)
<b>IK Rating:</b>	IK06
<b>Diffuser Material:</b>	2 mm Opal
<b>Wire Length:</b>	92 cm (3 ft) 22AWG
<b>Diameter:</b>	Ø 49.23 mm (1.94 in)
<b>Cut Size Diameter:</b>	Ø 10.44 mm (0.41 in)
<b>Certification:</b>	ETL



**SKU#: 666561413637**

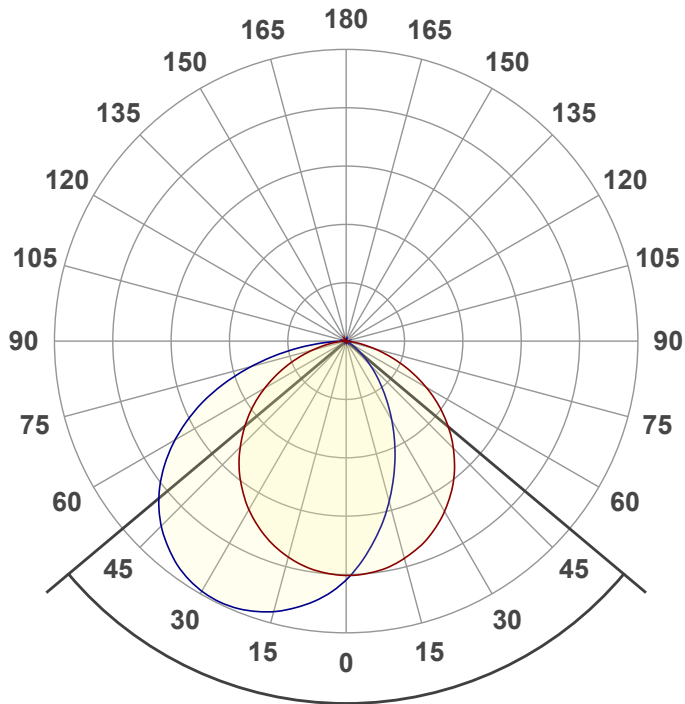
### Features

- The product front cover and housing is a passivated aluminum housing, the passivated film is 11-13 micron: corrosion-proof.
- The diffuser has a 2mm thickness that makes this light used as deck light or for inground lighting without worrying about damaging the light.
- The gasket is O-ring seal is PMQ.
- The light source is Osram LED COB Chip.
- With IP67 rating can be used both indoor and outdoor in various applications.
- Well heat dissipation, Long life-span, and low light decay.
- We offer a step-down transformer to line voltage in both hardwire and plugin.
- Available in both warm white and multi-color.
- Can be directly screwed onto the surface with a cut size of just a hole for installation.
- Comes with 3 feet of wire cable.
- Depending upon the wattage of the transformer, any number of lights can go on 1 switch.



### Disclaimer

The data and information contained in this specification sheet are subject to change without notice; the ratings supplied are provided based on the product manufacturer. The information contained in this specification sheet should not be considered a warranty, expressed or implied, including, but not limited to, a warranty of merchantability or fitness for a particular purpose. In no event shall LED Lights and Parts be liable for any incidental or consequential damages resulting from the use, misuse, or inability to use the product. This exclusion applies regardless of whether such damages are sought based on breach of warranty, breach of contract, negligence, strict liability in tort, or any other legal theory.



Beam angle

100°

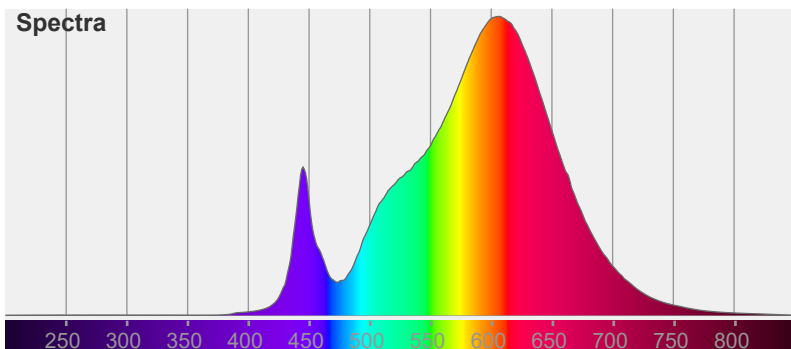


Color



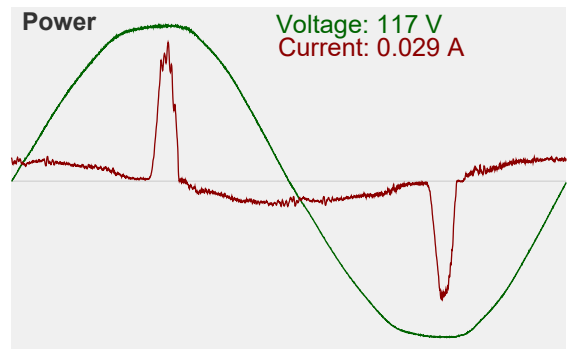
CIE1931  
x: 0.450  
y: 0.408

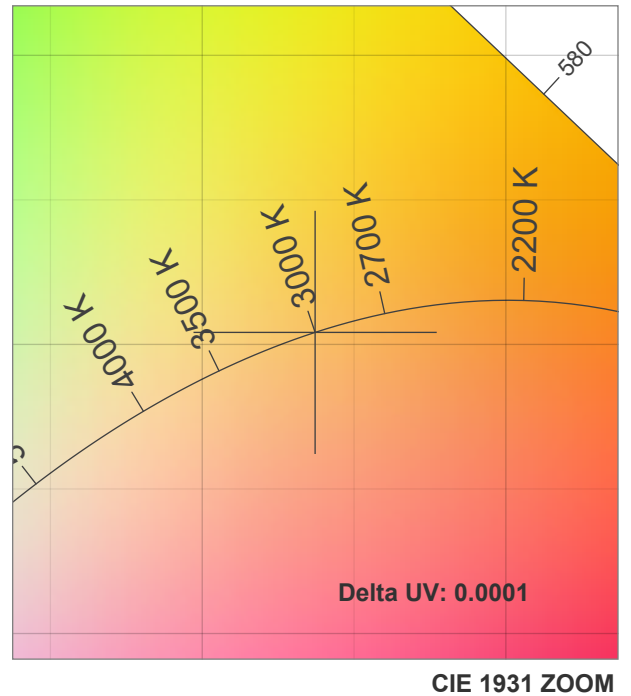
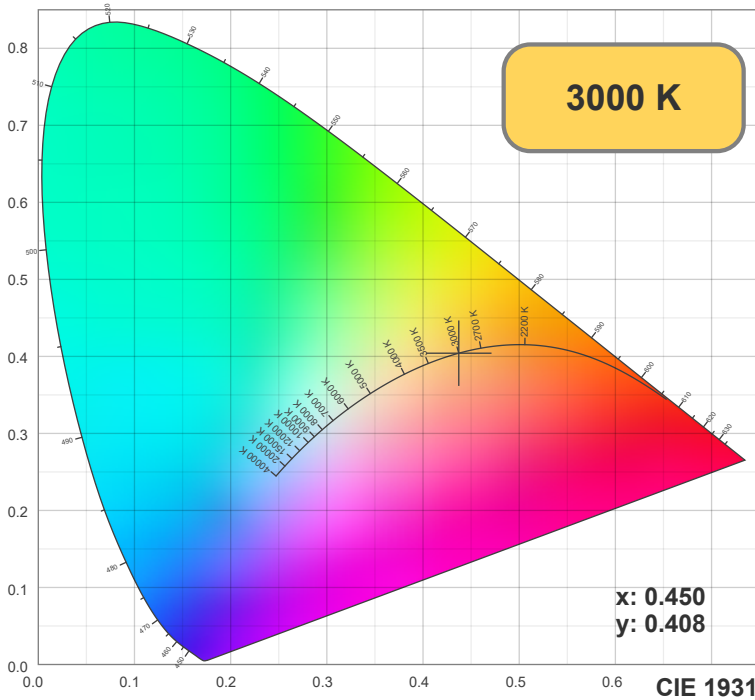
Spectra



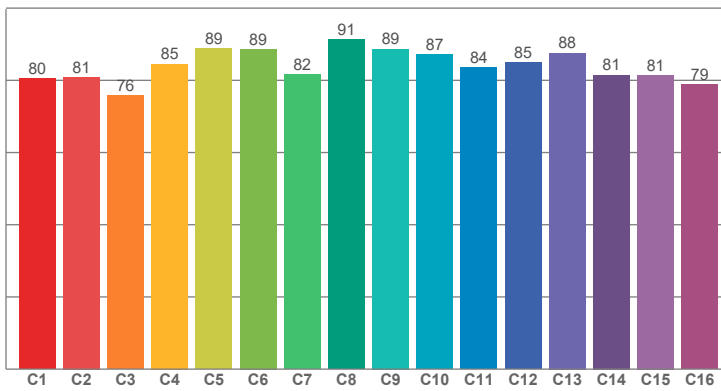
Power

Voltage: 117 V  
Current: 0.029 A

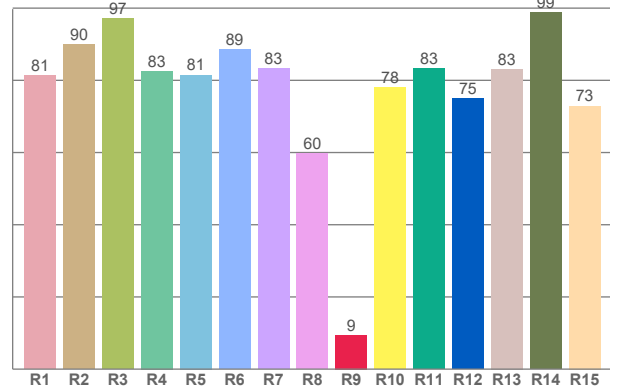




**TM30: 84.0**



**CRI: 83.0 (R1-R8)**



**CRI R values, only R1-R8 are used to calculate final CRI value**

R1	R2	R3	R4	R5	R6	R7	R8	R9	R10	R11	R12	R13	R14	R15
81.24	89.97	97.23	82.55	81.49	88.62	83.20	59.77	9.43	78.00	83.20	74.99	83.11	98.75	72.91

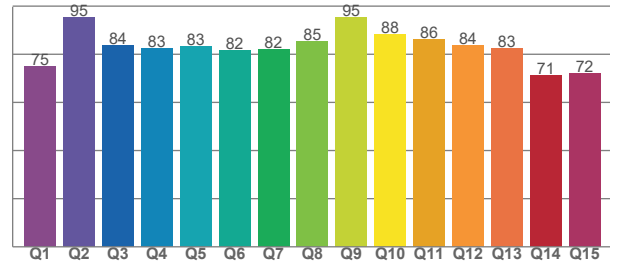
**TM30 C values, 16 binned values out of total of 99 C values**

C1	C2	C3	C4	C5	C6	C7	C8	C9	C10	C11	C12	C13	C14	C15	C16
80.46	80.89	75.80	84.56	88.74	88.65	81.52	91.26	88.71	87.10	83.59	84.89	87.60	81.49	81.46	78.88

**CQS Q values**

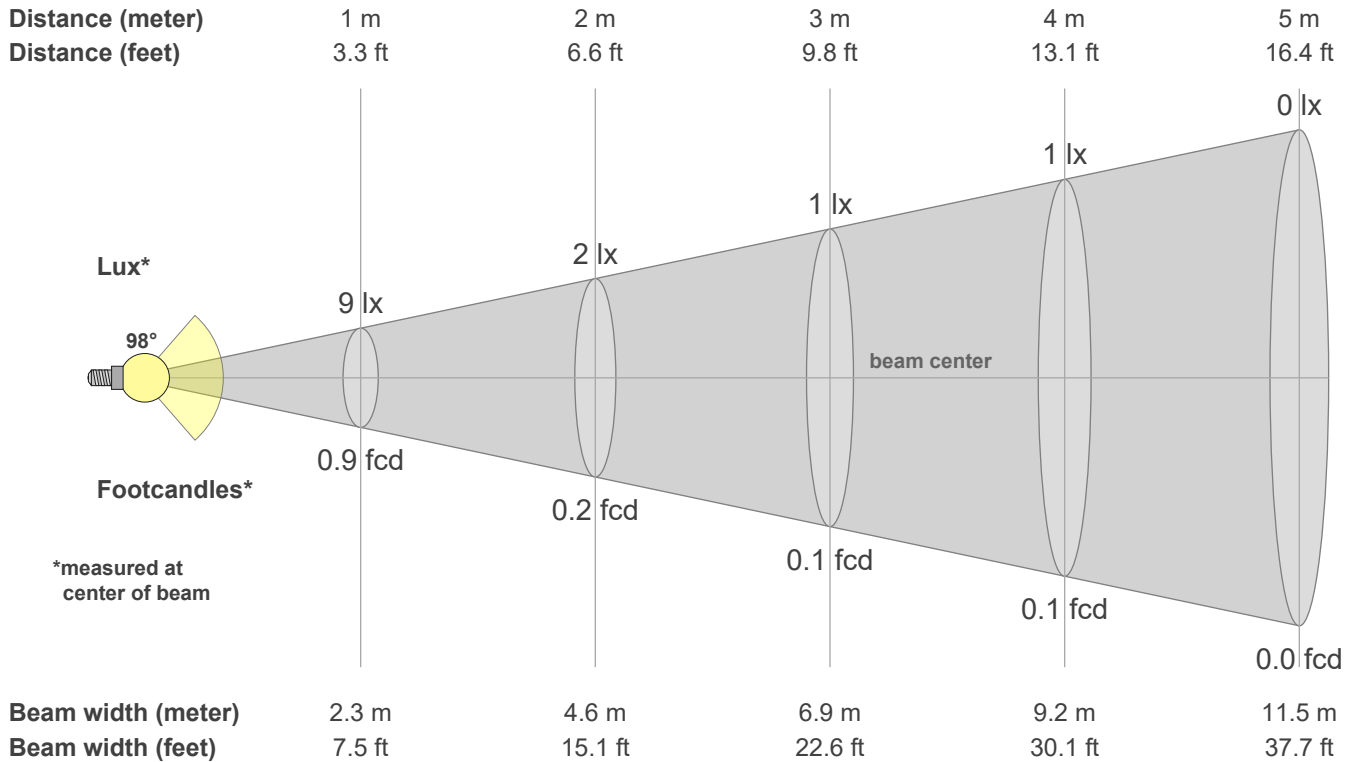
Q1	Q2	Q3	Q4	Q5	Q6	Q7	Q8	Q9	Q10	Q11	Q12	Q13	Q14	Q15
74.92	95.47	83.59	82.57	83.44	81.62	82.19	85.38	95.22	88.46	86.14	83.61	82.60	71.16	72.28

**CQS: 81.8**



## Color parameters

CCT	CRI	CRI R9	TM30 Rf	TM30 Rg	CQS	x	y	u	v	Duv
3000 K	83.0	9.4	84.0	98.6	81.8	0.4	0.4	0.3	0.3	-0.0002



### Intensities in 0° c-plane

0°	5°	10°	15°	20°	25°	30°	35°	40°	45°	50°	55°	60°	65°	70°	75°	80°	85°	90°	95°
9.2	9.1	9.0	8.7	8.5	8.1	7.6	7.1	6.6	5.9	5.2	4.4	3.6	2.8	1.9	1.1	0.5	0.1	0.0	0.0
100%	99%	97%	95%	92%	88%	83%	78%	71%	64%	56%	48%	39%	30%	21%	12%	6%	1%	0%	0%

### Intensities in 90° c-plane

0°	5°	10°	15°	20°	25°	30°	35°	40°	45°	50°	55°	60°	65°	70°	75°	80°	85°	90°	95°
9.2	8.4	7.5	6.5	5.4	4.5	3.5	2.7	2.0	1.3	0.8	0.4	0.1	0.0	0.0	0.0	0.0	0.0	0.0	0.0
100%	91%	81%	70%	59%	49%	39%	29%	21%	14%	9%	4%	1%	0%	0%	0%	0%	0%	0%	0%

### Intensities in 180° c-plane

0°	5°	10°	15°	20°	25°	30°	35°	40°	45°	50°	55°	60°	65°	70°	75°	80°	85°	90°	95°
9.2	9.1	8.9	8.7	8.4	8.0	7.6	7.0	6.5	5.8	5.1	4.4	3.7	2.9	2.1	1.4	0.7	0.3	0.1	0.0
100%	98%	97%	95%	91%	87%	82%	77%	70%	63%	56%	48%	40%	31%	23%	15%	8%	3%	1%	0%

### Intensities in 270° c-plane

0°	5°	10°	15°	20°	25°	30°	35°	40°	45°	50°	55°	60°	65°	70°	75°	80°	85°	90°	95°
9.2	10.0	10.5	10.9	11.1	11.3	11.2	11.0	10.7	10.2	9.5	8.7	7.7	6.5	5.2	3.8	2.4	1.1	0.2	0.1
100%	108%	114%	118%	121%	123%	122%	120%	116%	111%	103%	94%	84%	71%	57%	42%	26%	12%	2%	1%

Beam angle 50%	Field angle 10%	Cutoff angle 2.5%	Intensity ratio in 120° cone	Intensity ratio in 90° cone
97.9°	143.4°	157.8°	79.3%	54.4%