

## LED Landscape Bullet Light Engine: MR16 Bulb

Bullet lights are suitable for a variety of applications and in both indoor and outdoor environments. Improve your residential or commercial security with high-performance bullet flood lights; mounted on your building's exterior. Or plant it in your yard or garden to illuminate it at night.



### SPECIFICATIONS

<b>Model No.</b>	UL-1012-MR16-A-54
<b>Operating Voltage</b>	12V DC (MR16 Bulb Voltage)
<b>Wattage</b>	6.5W (MR16 Bulb)
<b>LED Type</b>	Replaceable MR16 Bulb
<b>Material</b>	Aluminum
<b>Spike Material</b>	High Strength PVC
<b>Beam Angle</b>	Depends on the MR16 Bulb
<b>Wire Gauge</b>	18AWG
<b>Body Colour</b>	Metallic Grey
<b>IP Rating</b>	IP67 (Outdoor Rated)
<b>Spike Height</b>	176.21mm (6.93")
<b>Body Size</b>	<b>Diameter:</b> 61mm (2.40") <b>Length:</b> 142.30mm (5.6") <b>Height:</b> 105mm (4.13")
<b>Product Content</b>	Landscape Light Body Plastic Spike
<b>Certification</b>	ETL



### Features

- This product is used in various landscape lighting applications like outdoor spotlights, tree uplighting, outdoor wall lights, landscape accent lighting, and so on.
- It comes along with 3 feet UL-listed 18 AWG wire cable.
- These fixtures use a bright MR16 bulb (sold separately) to illuminate commercial signs and billboards or residential landscaping.
- Can easily replace the desired color temperature bulb, making it a versatile solution for various applications.
- IP67 rating makes the light stay lit in all types of weather.

### MR16 LED Bulb



<b>Bulb Type</b>	MR16-C3
<b>Base</b>	GU5.3
<b>Voltage</b>	12V (50/60Hz)
<b>Power</b>	5W
<b>Light Source</b>	MR16 LED Bulb
<b>Brightness</b>	400lm±10%
<b>Lumen Efficiency</b>	80Lm/w
<b>Colour Temperature</b>	3000K (Warm White)
<b>Beam Angle</b>	36°
<b>Produced Life</b>	70% Light Output @ 25000 Hrs
<b>Ra</b>	CRI>90+
<b>Dimmable</b>	Yes
<b>Dimensions</b>	Ø50mm x 45mm (Ø1.97" x 1.77")
<b>Certifications</b>	cETLus/CE



MR16 LED Bulb  
(Sold Separately)



### Disclaimer:

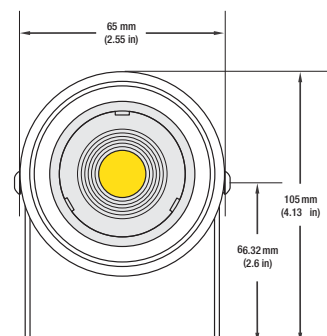
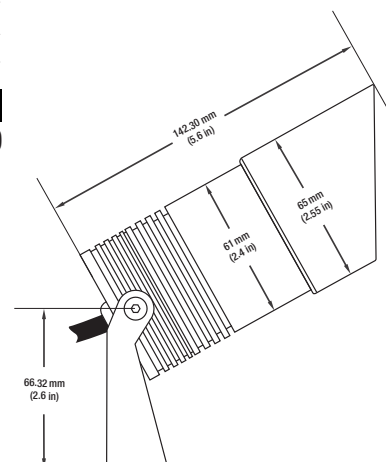
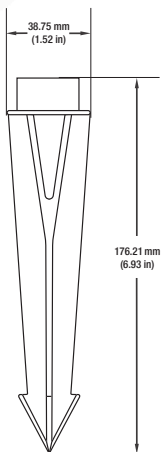
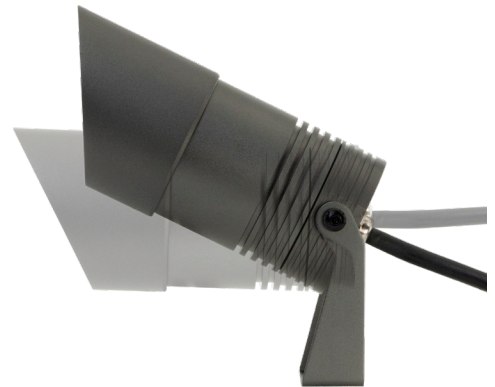
The data and information contained in this specification sheet are subject to change without notice; the ratings supplied are provided based on the product manufacturer. The information contained in this specification sheet should not be considered a warranty, expressed or implied, including, but not limited to, a warranty of merchantability or fitness for a particular purpose. In no event shall Veroboard be liable for any incidental or consequential damages resulting from the use, misuse, or inability to use the product. This exclusion applies regardless of whether such damages are sought based on breach of warranty, breach of contract, negligence, strict liability in tort, or any other legal theory.

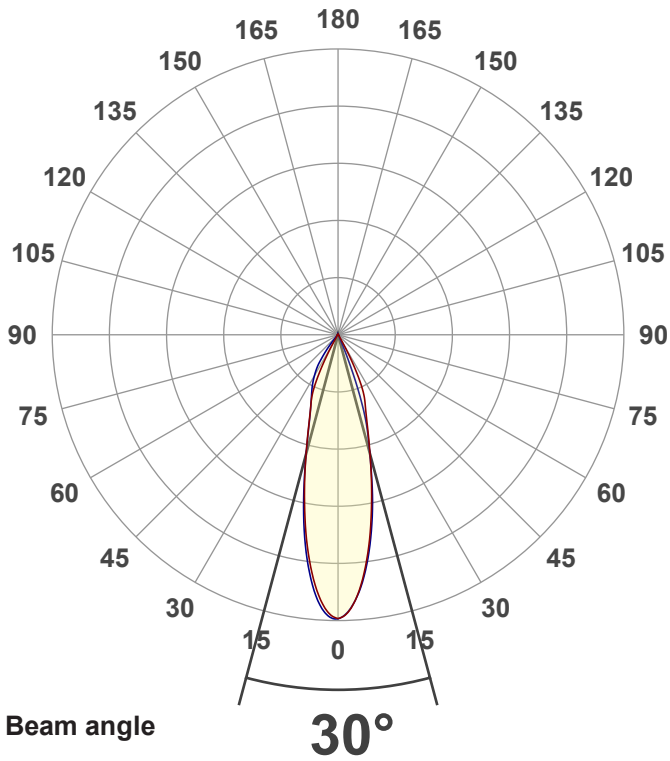
Name: \_\_\_\_\_

Company: \_\_\_\_\_

Phone: \_\_\_\_\_

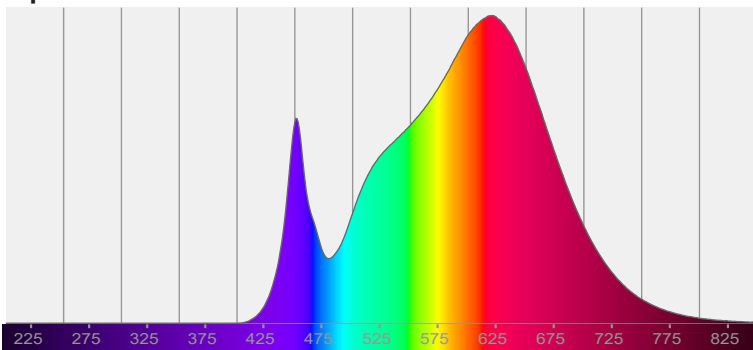
Email: \_\_\_\_\_



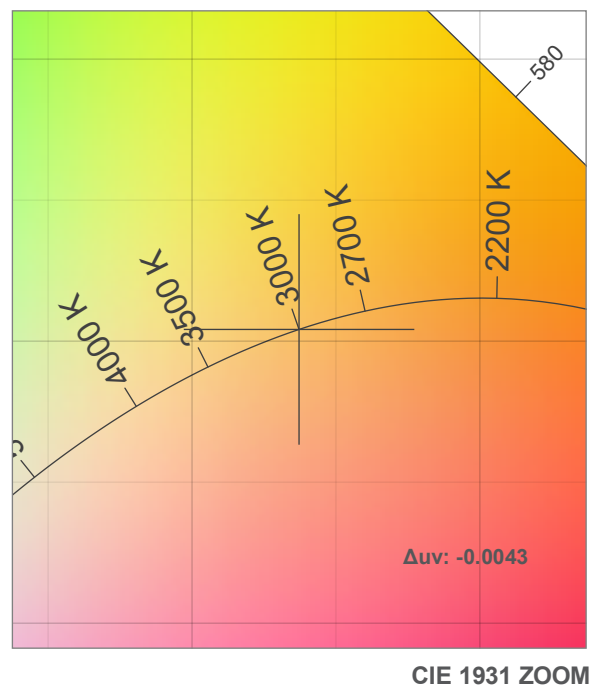
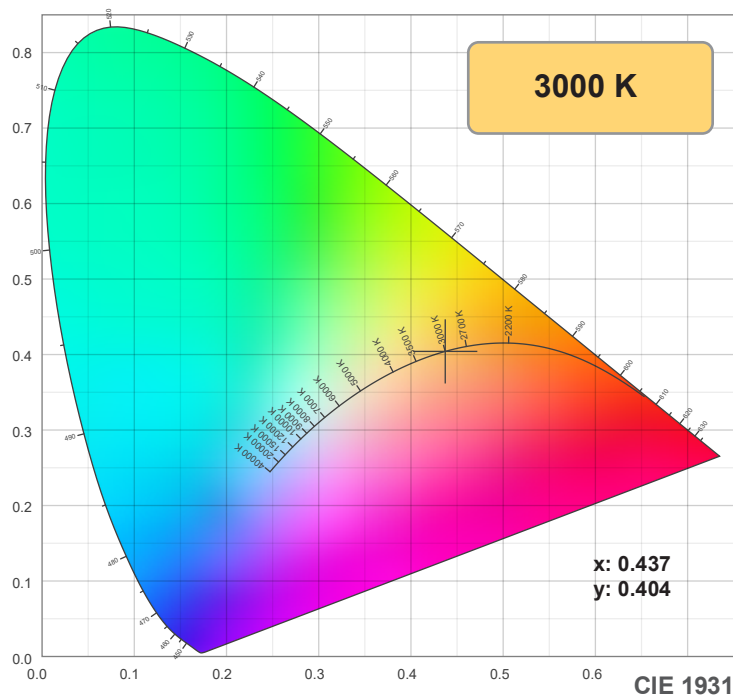
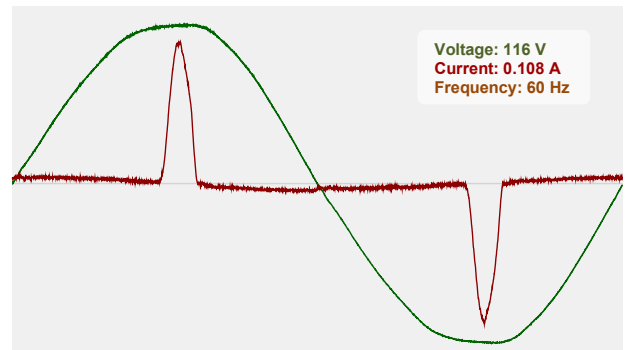


CIE 1931  
x: 0.437  
y: 0.404

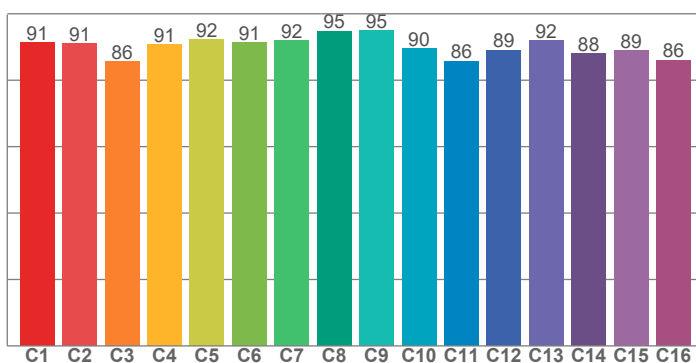
**Spectra**



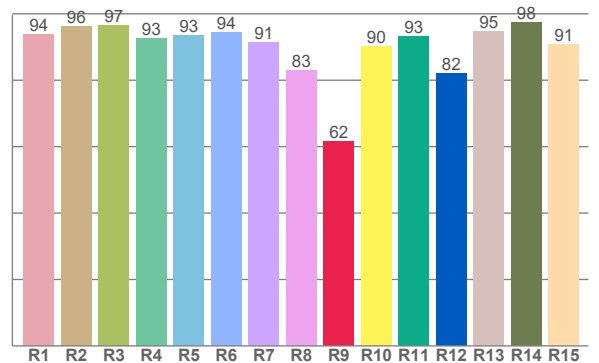
**Power**



**TM-30: 90.3**



**CRI: 92.7 (R1-R8)**



CRI R values, only R1-R8 are used to calculate final CRI value

R1	R2	R3	R4	R5	R6	R7	R8	R9	R10	R11	R12	R13	R14	R15
93.8	96.2	96.5	92.7	93.5	94.5	91.4	82.9	61.7	90.1	93.2	82.0	94.6	97.5	90.6

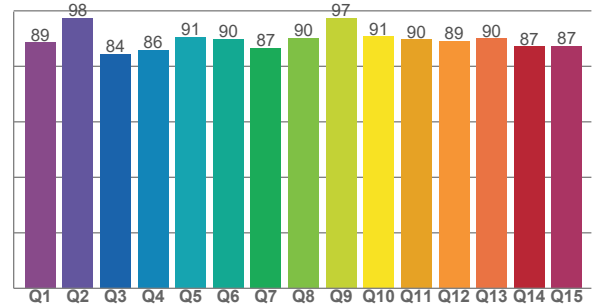
TM30 C values, 16 binned values out of total of 99 C values

C1	C2	C3	C4	C5	C6	C7	C8	C9	C10	C11	C12	C13	C14	C15	C16
91.3	91.1	85.6	90.7	92.3	91.4	91.9	94.8	94.9	89.6	85.8	89.1	92.0	88.1	89.0	86.1

CQS Q values

Q1	Q2	Q3	Q4	Q5	Q6	Q7	Q8	Q9	Q10	Q11	Q12	Q13	Q14	Q15
88.6	97.5	84.4	85.8	90.5	89.7	86.6	90.1	97.3	90.8	89.7	89.1	90.0	87.2	87.4

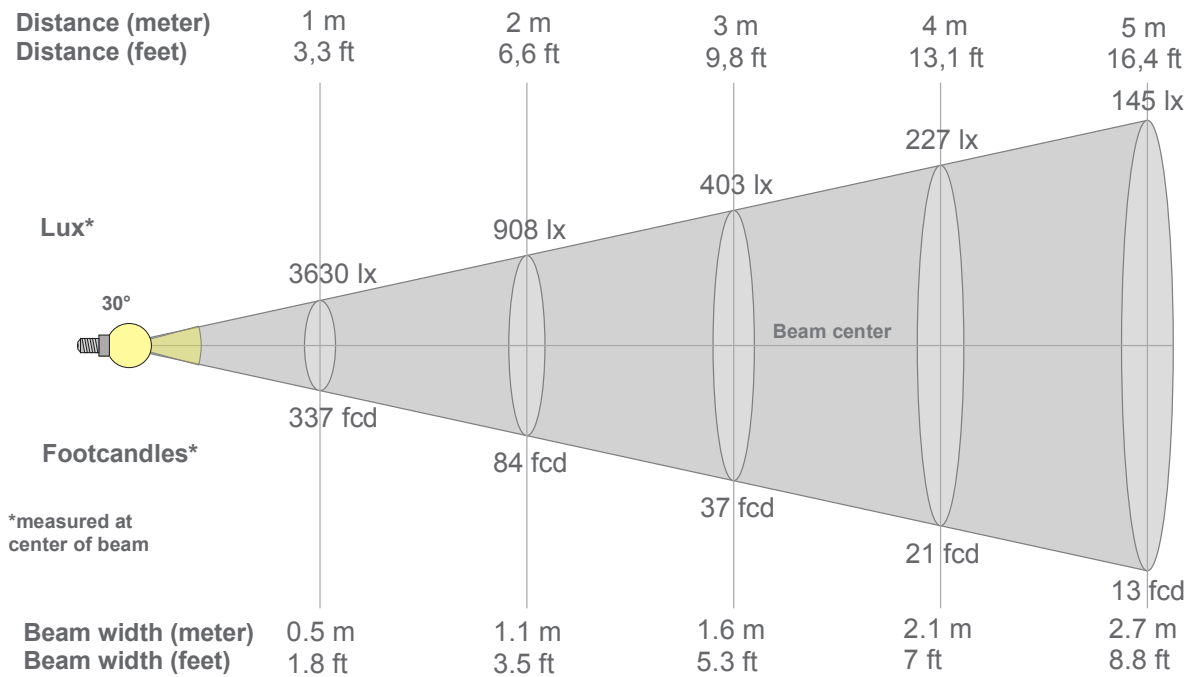
**CQS: 89.0**



**Color parameters**

Color temperature	Color rendering index	Red component	Color fidelity	Color gamut	Color quality scale	Color coordinate cie 1931	Color coordinate cie 1931	Color coordinate	Color coordinate	Color diviation from black body
CCT	CRI	CRI R9	TM30 Rf	TM30 Rg	CQS	x	y	u	v	Δuv
3000 K	92.7	61.7	90.3	102.1	89.0	0.437	0.404	0.251	0.348	-0.0043

**Beam details**



**Beam intensities from 1-20m**

1m	2m	3m	4m	5m	6m	7m	8m	9m	10m	11m	12m	13m	14m	15m	16m	17m	18m	19m	20m
3.3ft	6.6ft	9.8ft	13.1ft	16.4ft	19.7ft	23ft	26.2ft	29.5ft	32.8ft	36.1ft	39.4ft	42.7ft	45.9ft	49.2ft	52.5ft	55.8ft	59.1ft	62.3ft	65.6ft
3630lx	908lx	403lx	227lx	145lx	101lx	74lx	57lx	45lx	36lx	30lx	25lx	21lx	19lx	16lx	14lx	13lx	11lx	10lx	9lx
337.3fcd	84.3fcd	37.5fcd	21.1fcd	13.5fcd	9.4fcd	6.9fcd	5.3fcd	4.2fcd	3.4fcd	2.8fcd	2.3fcd	2fcd	1.7fcd	1.5fcd	1.3fcd	1.2fcd	1fcd	0.9fcd	0.8fcd

**Intensities in 0° c-plane**

0°	2°	4°	6°	8°	10°	12°	14°	16°	18°	20°	22°	24°	26°	28°	30°	32°	34°	36°	38°
3630	3556	3372	3103	2780	2424	2068	1735	1444	1211	1040	917	775	563	332	153	66	42	34	28
100%	98%	93%	85%	77%	67%	57%	48%	40%	33%	29%	25%	21%	15%	9%	4%	2%	1%	1%	1%

**Intensities in 90° c-plane**

0°	2°	4°	6°	8°	10°	12°	14°	16°	18°	20°	22°	24°	26°	28°	30°	32°	34°	36°	38°
3630	3550	3375	3129	2825	2482	2121	1741	1418	1137	757	366	114	40	26	21	15	9	6	4
100%	98%	93%	86%	78%	68%	58%	48%	39%	31%	21%	10%	3%	1%	1%	1%	0%	0%	0%	0%

**Intensities in 180° c-plane**

0°	2°	4°	6°	8°	10°	12°	14°	16°	18°	20°	22°	24°	26°	28°	30°	32°	34°	36°	38°
3630	3556	3372	3103	2780	2424	2068	1735	1444	1211	1040	917	775	563	332	153	66	42	34	28
100%	98%	93%	85%	77%	67%	57%	48%	40%	33%	29%	25%	21%	15%	9%	4%	2%	1%	1%	1%

**Intensities in 270° c-plane**

0°	2°	4°	6°	8°	10°	12°	14°	16°	18°	20°	22°	24°	26°	28°	30°	32°	34°	36°	38°
3630	3600	3448	3195	2873	2505	2116	1744	1431	1198	1032	919	833	759	683	604	525	428	303	192
100%	99%	95%	88%	79%	69%	58%	48%	39%	33%	28%	25%	23%	21%	19%	17%	14%	12%	8%	5%

Beam angle 50%	Field angle 10%	Cutoff angle 2,5%	Intensity ratio in 120° cone	Intensity ratio in 90° cone
30°	56.2°	63.5°	99.8%	99.0%